



US00D528445S

(12) **United States Design Patent**
Au Yeung

(10) **Patent No.:** **US D528,445 S**

(45) **Date of Patent:** **** Sep. 19, 2006**

(54) **PEDOMETER**

(75) **Inventor:** **Kwok Keung Au Yeung**, New Territories (HK)

(73) **Assignee:** **Ariel Premium Supply, Inc.**, St. Louis, MO (US)

(**) **Term:** **14 Years**

(21) **Appl. No.:** **29/254,437**

(22) **Filed:** **Feb. 22, 2006**

(51) **LOC (8) Cl.** **10-04**

(52) **U.S. Cl.** **D10/70**

(58) **Field of Classification Search** D10/70,
D10/97, 98; 235/95 C, 105; 377/5, 24.2,
377/26; 702/144, 160, 176
See application file for complete search history.

(56) **References Cited**

U.S. PATENT DOCUMENTS

D476,243 S * 6/2003 Houlihan D10/70

D502,693 S * 3/2005 Chen D14/171
6,882,955 B1 * 4/2005 Ohlenbusch et al. 702/160
D504,627 S * 5/2005 Harju D10/70

* cited by examiner

Primary Examiner—Antoine D. Davis

(74) *Attorney, Agent, or Firm*—Intellectual Property Law Group LLP; Otto O. Lee; Juneko Jackson

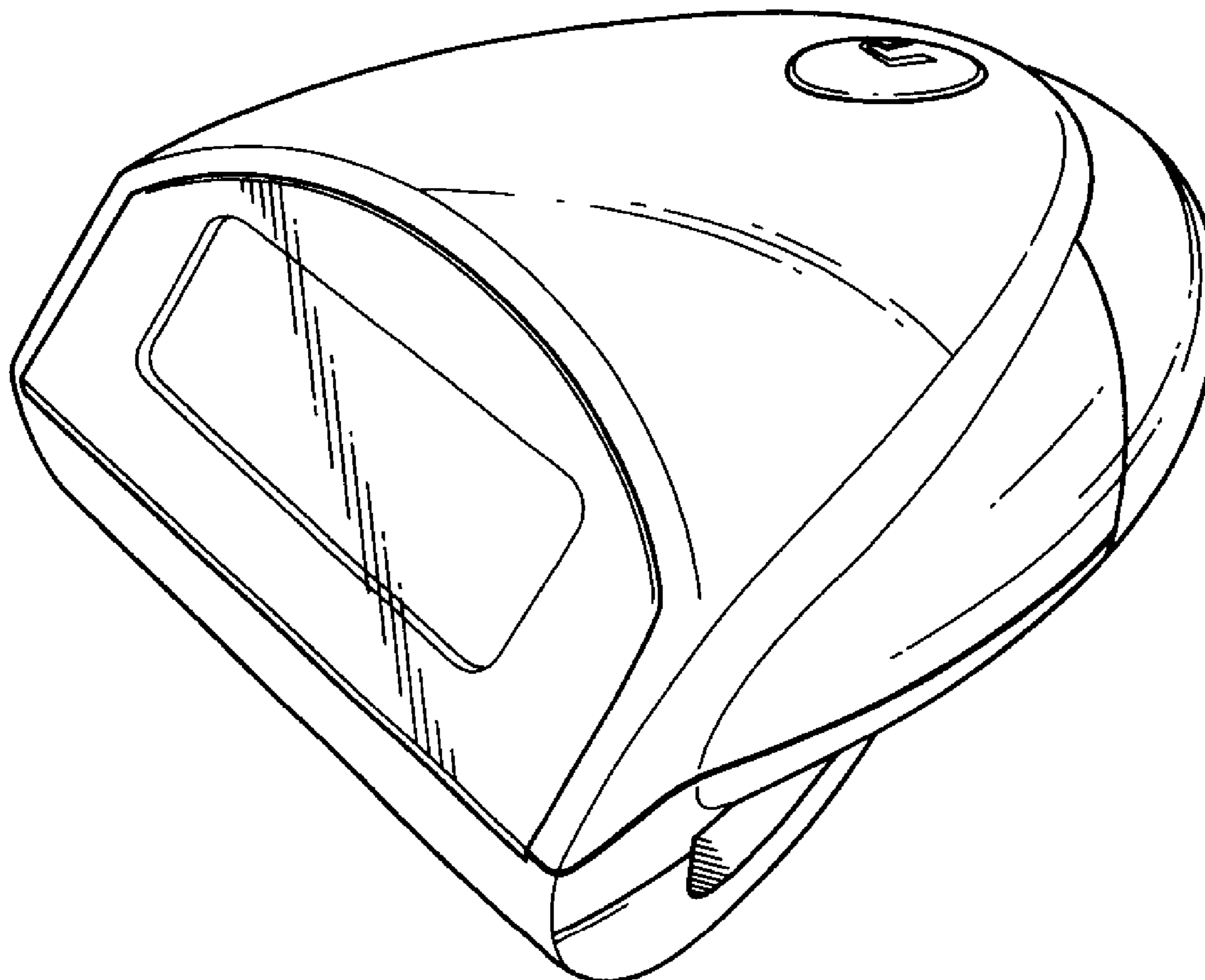
(57) **CLAIM**

The ornamental design for a pedometer, as shown and described.

DESCRIPTION

FIG. 1 is a perspective view of a pedometer embodying my design;
FIG. 2 is a top plan view thereof;
FIG. 3 is a bottom plan view thereof;
FIG. 4 is a left side elevational view of FIG. 2;
FIG. 5 is a right side elevational view thereof;
FIG. 6 is a front elevational of FIG. 1; and,
FIG. 7 is a rear elevational view thereof.

1 Claim, 4 Drawing Sheets



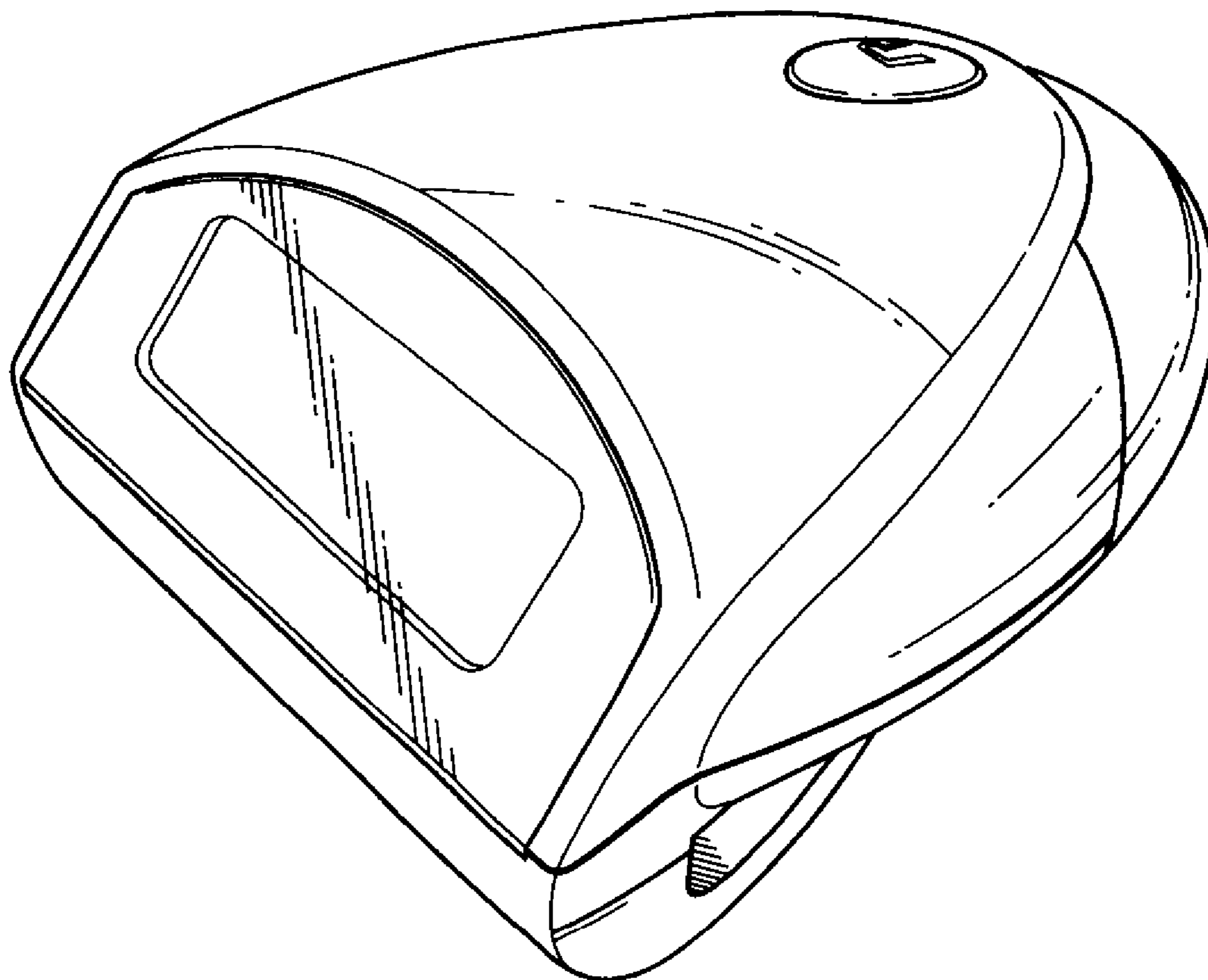


Fig. 1

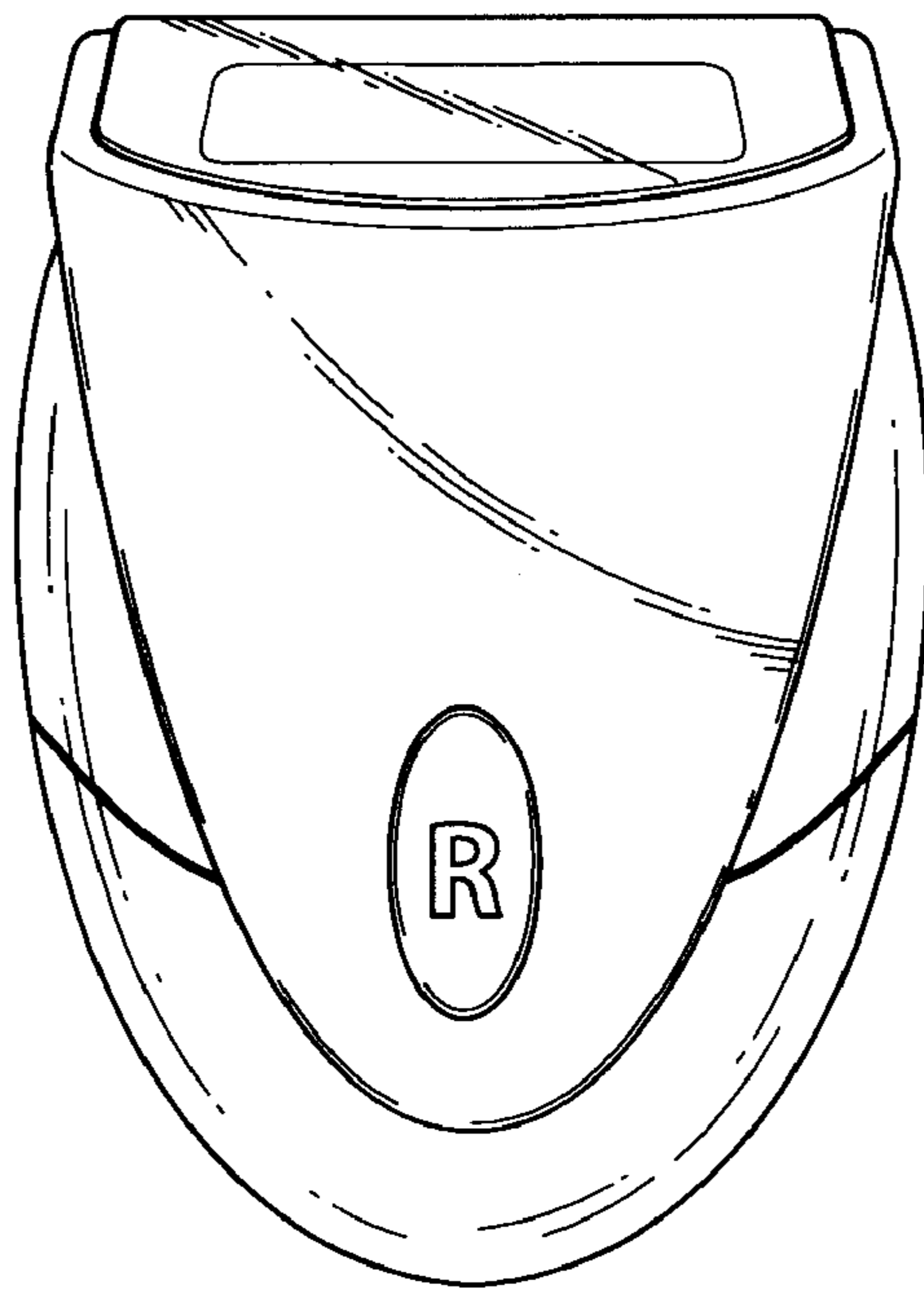


Fig. 2

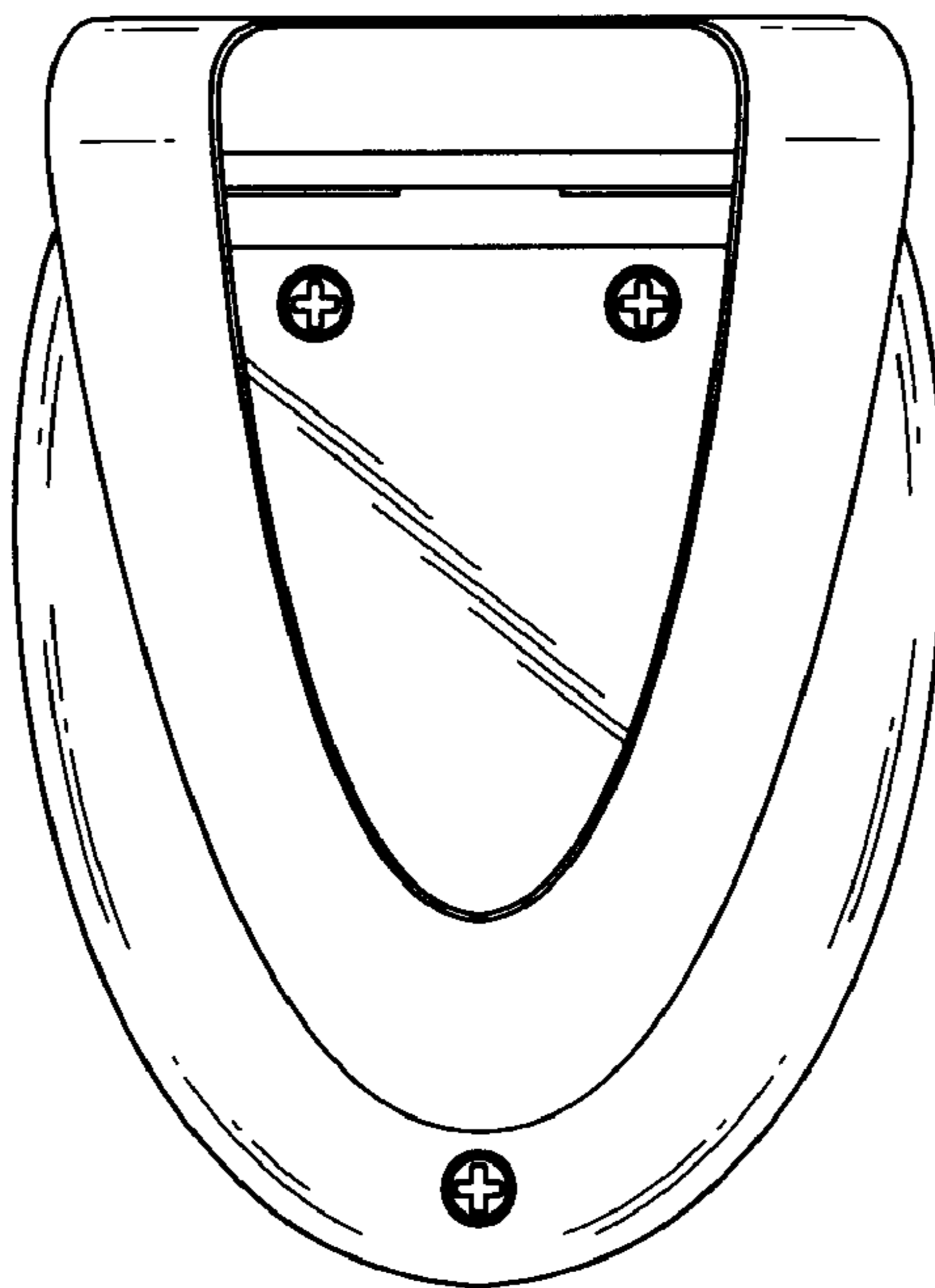


Fig. 3

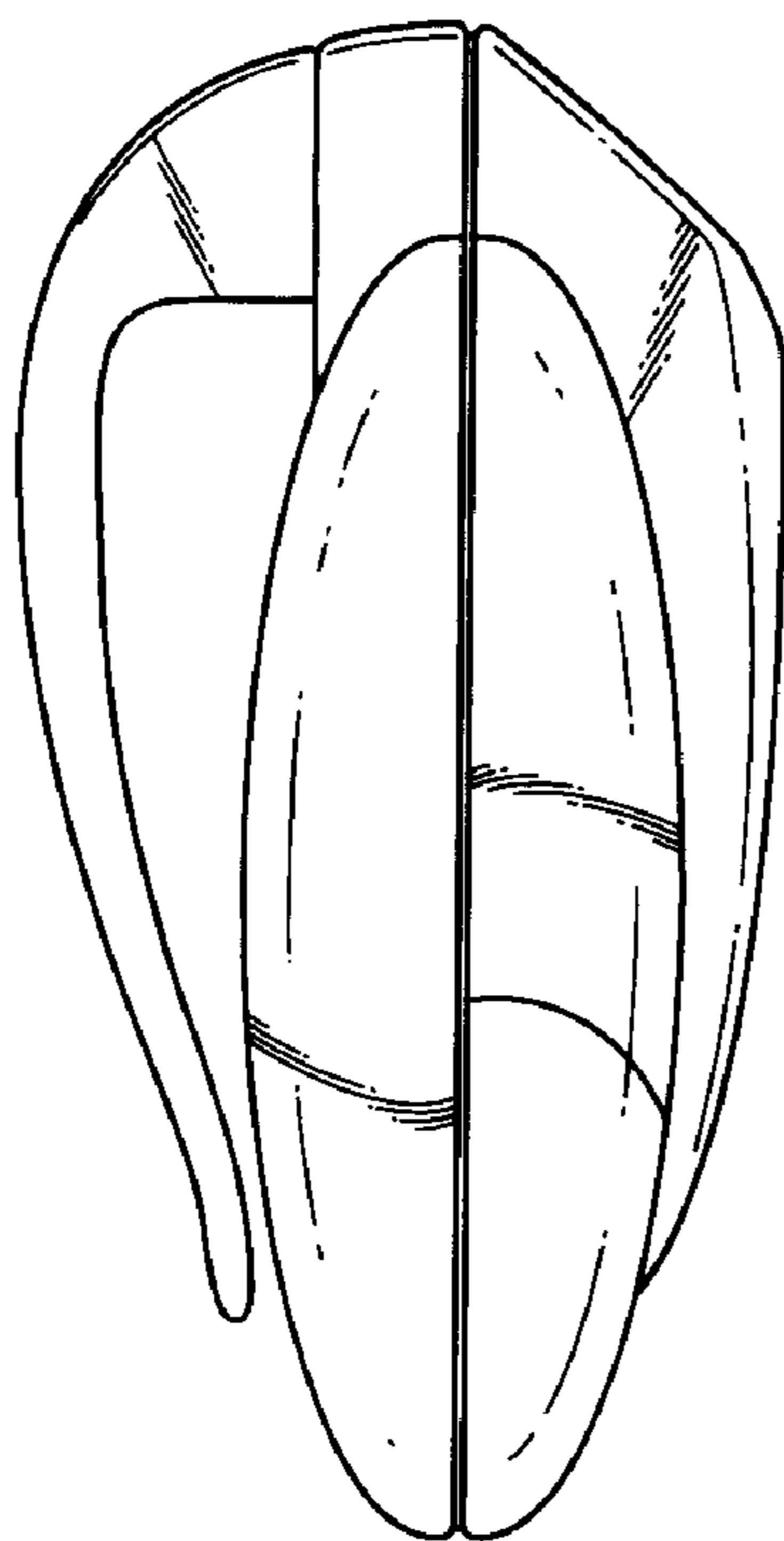


Fig. 4

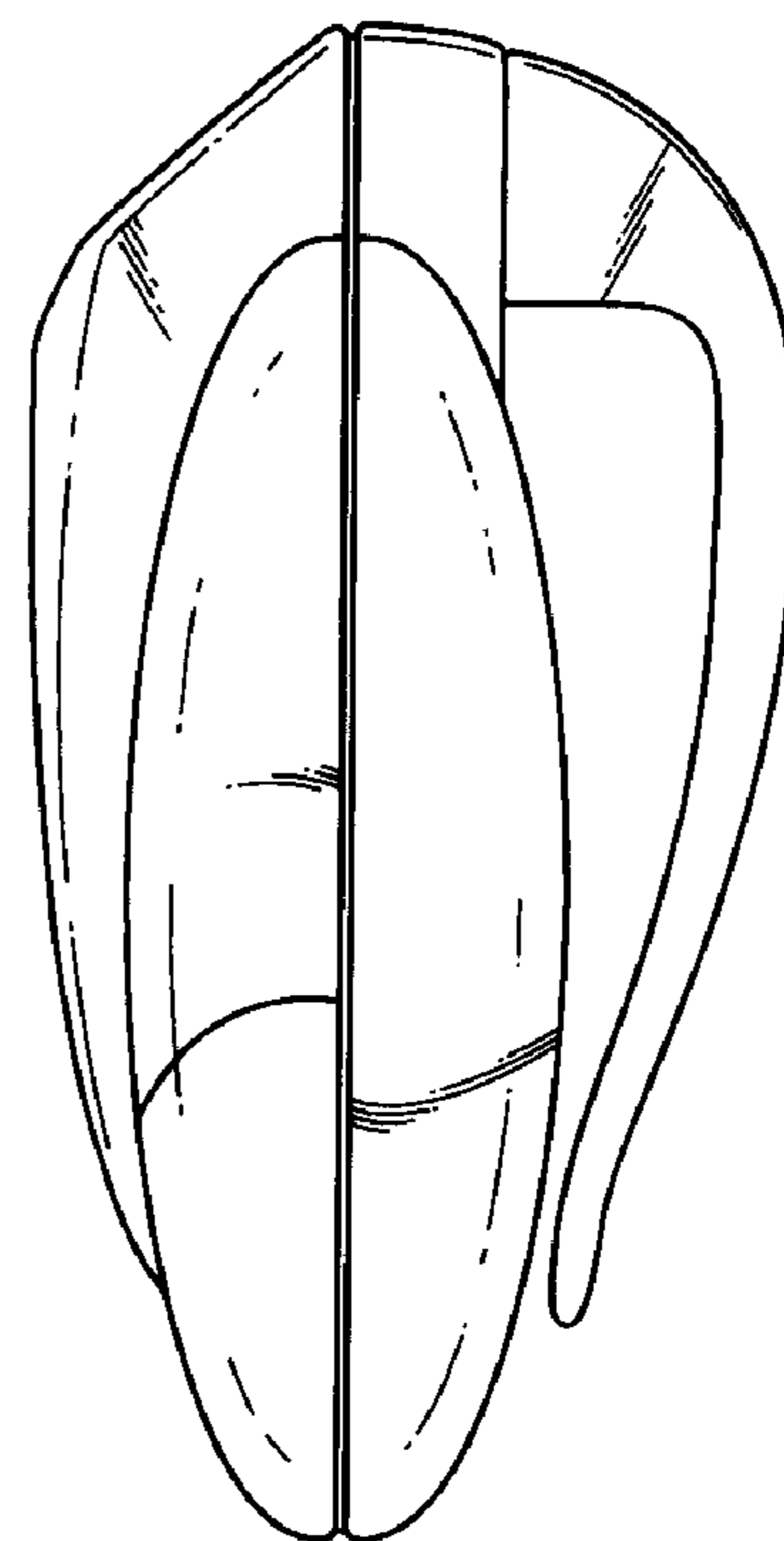


Fig. 5

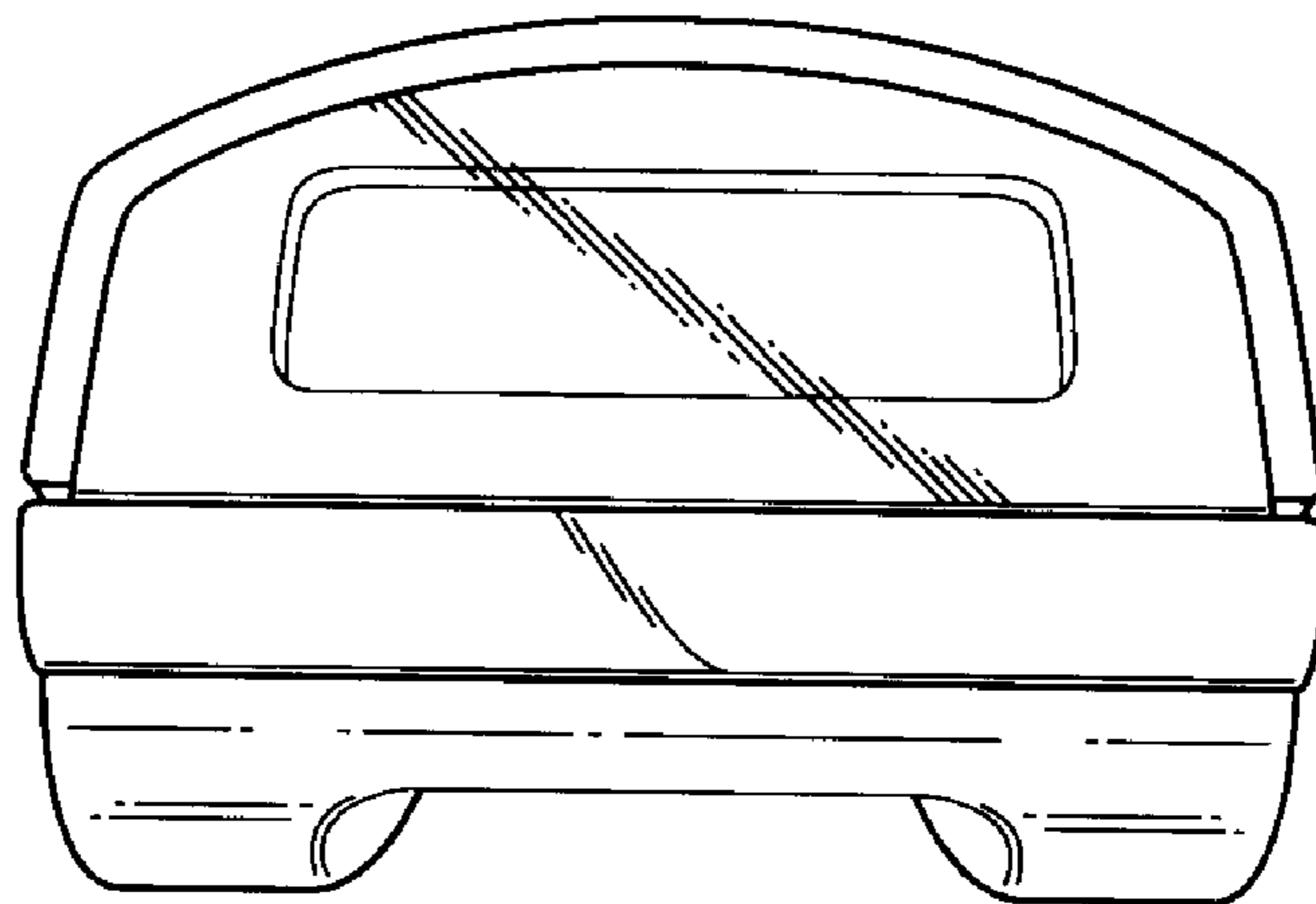


Fig. 6

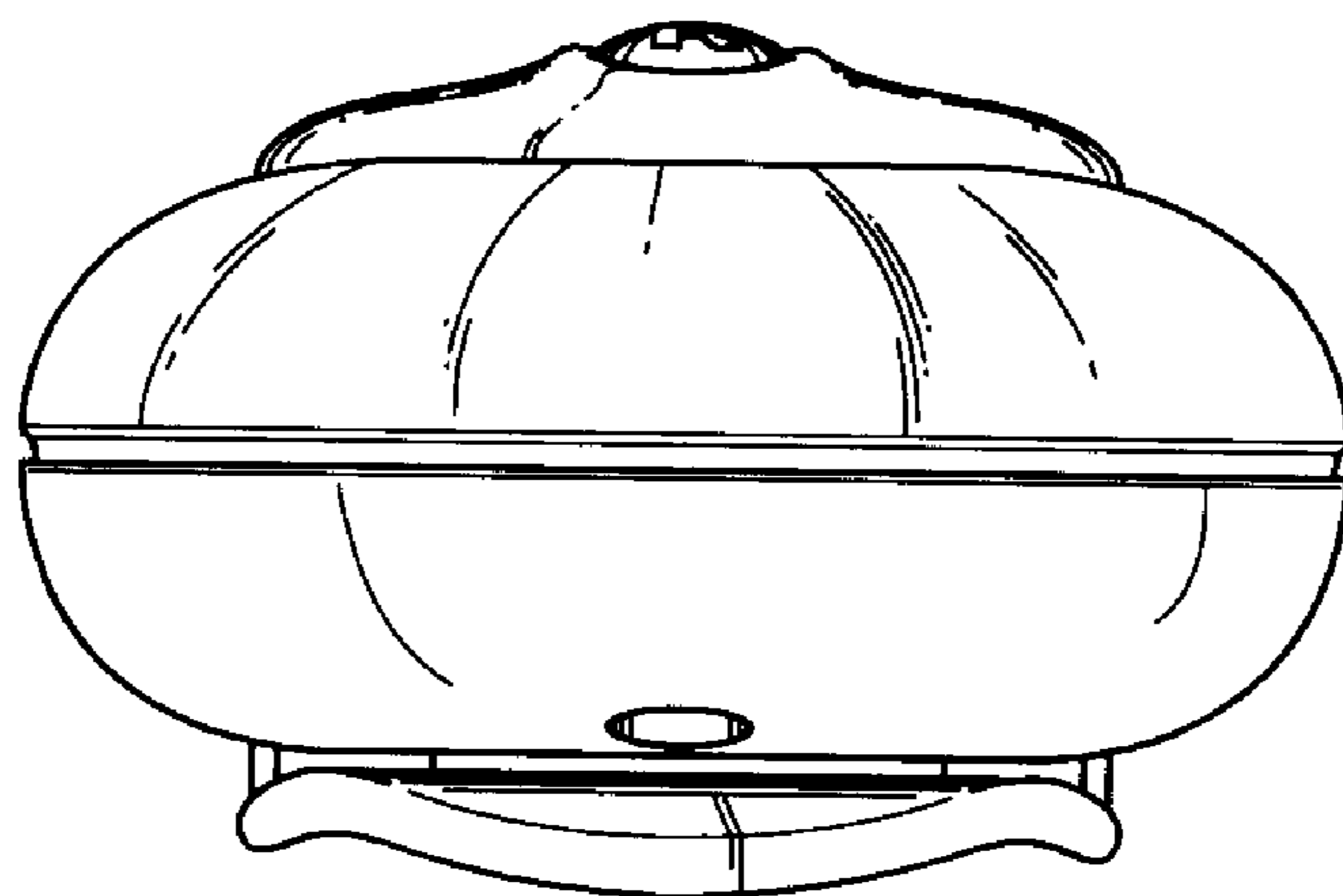


Fig. 7