



US00D528440S

(12) **United States Design Patent**
Lovegrove

(10) **Patent No.:** **US D528,440 S**

(45) **Date of Patent:** **** Sep. 19, 2006**

(54) **WATCH CASE**

(75) **Inventor:** **Ross Lovegrove**, London (GB)

(73) **Assignee:** **Tag Heuer SA** (CH)

(**) **Term:** **14 Years**

(21) **Appl. No.:** **29/239,433**

(22) **Filed:** **Sep. 29, 2005**

(30) **Foreign Application Priority Data**

Mar. 30, 2005 (WO) DM/066 491

(51) **LOC (8) Cl.** **10-02**

(52) **U.S. Cl.** **D10/38**

(58) **Field of Classification Search** D10/30-39,
D10/123-126; 368/276, 277, 281-283, 285,
368/10, 21, 28-30, 223, 228, 239-242, 232
See application file for complete search history.

(56) **References Cited**

U.S. PATENT DOCUMENTS

3,789,601	A	*	2/1974	Bergey	368/69
4,067,185	A	*	1/1978	Huguenin	368/29
D265,063	S	*	6/1982	Iida	D10/38
D265,799	S	*	8/1982	Suzuki	D10/39
D266,490	S	*	10/1982	Takahashi	D10/39
D266,831	S	*	11/1982	Iida	D10/38
D267,705	S	*	1/1983	Kosugi	D10/39

D269,951	S	*	8/1983	Eberhardt et al.	D10/38
D269,952	S	*	8/1983	Uchihori et al.	D10/38
D274,410	S	*	6/1984	Suzuki	D10/39
D278,685	S	*	5/1985	Suzuki et al.	D10/38
D369,752	S	*	5/1996	Houlihan	D10/38
D381,588	S	*	7/1997	Weston	D10/32
D465,163	S	*	11/2002	Bodino	D10/32
D473,797	S	*	4/2003	Berliat	D10/30

* cited by examiner

Primary Examiner—Lucy Lieberman

(74) *Attorney, Agent, or Firm*—Lott & Friedland, PA

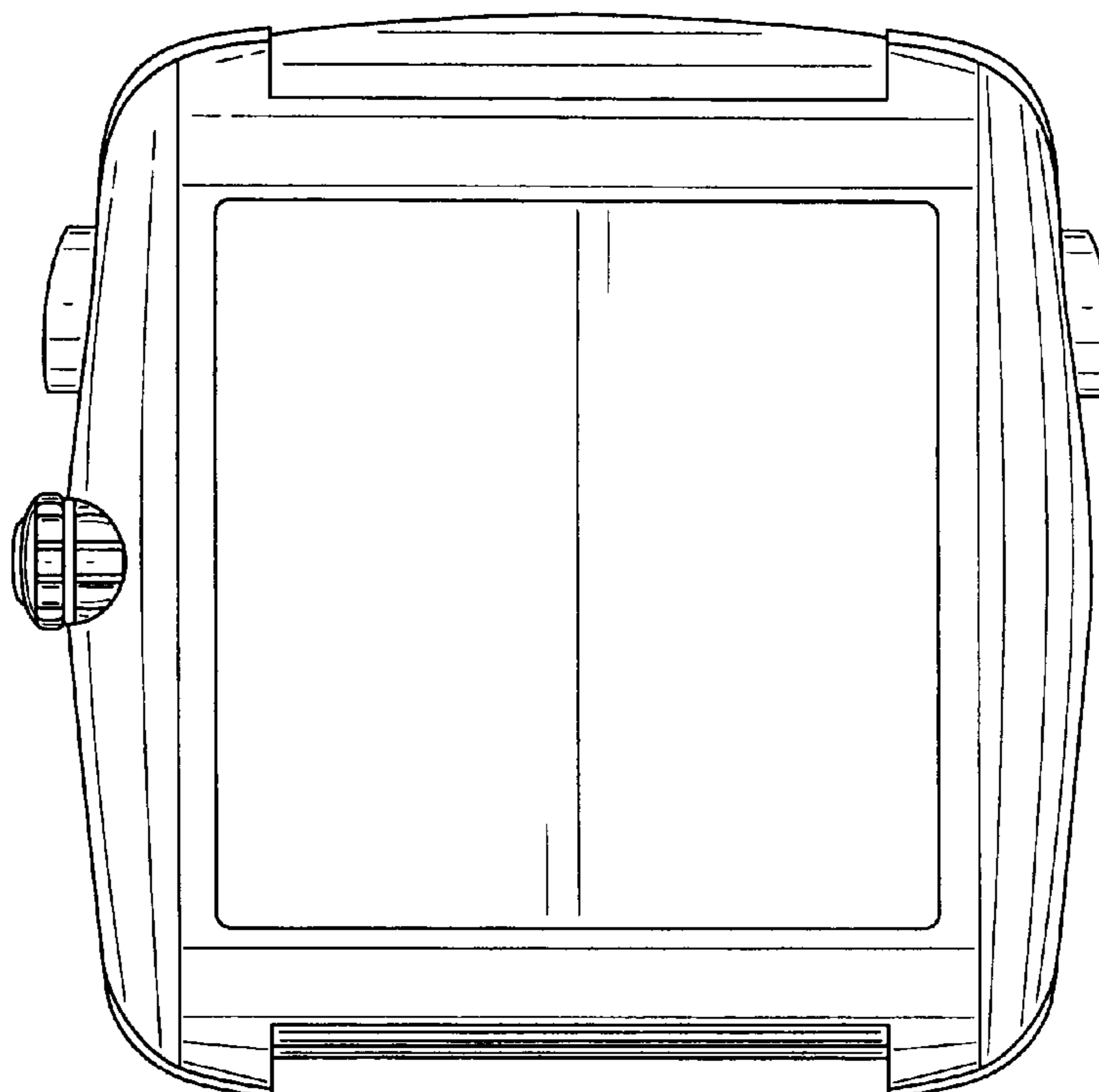
(57) **CLAIM**

The ornamental design for a watch case, substantially as shown and described.

DESCRIPTION

FIG. 1 is a perspective view of the watch case of the present invention;
FIG. 2 is a front view of the watch case shown in FIG. 1;
FIG. 3 is a rear view of the watch case shown in FIG. 1;
FIG. 4 is a left side elevational view of the watch case shown in FIG. 1;
FIG. 5 is a right side elevational view of the watch case shown in FIG. 1;
FIG. 6 is a top view of the watch case shown in FIG. 1; and,
FIG. 7 is a bottom view of the watch case shown in FIG. 1.

1 Claim, 7 Drawing Sheets



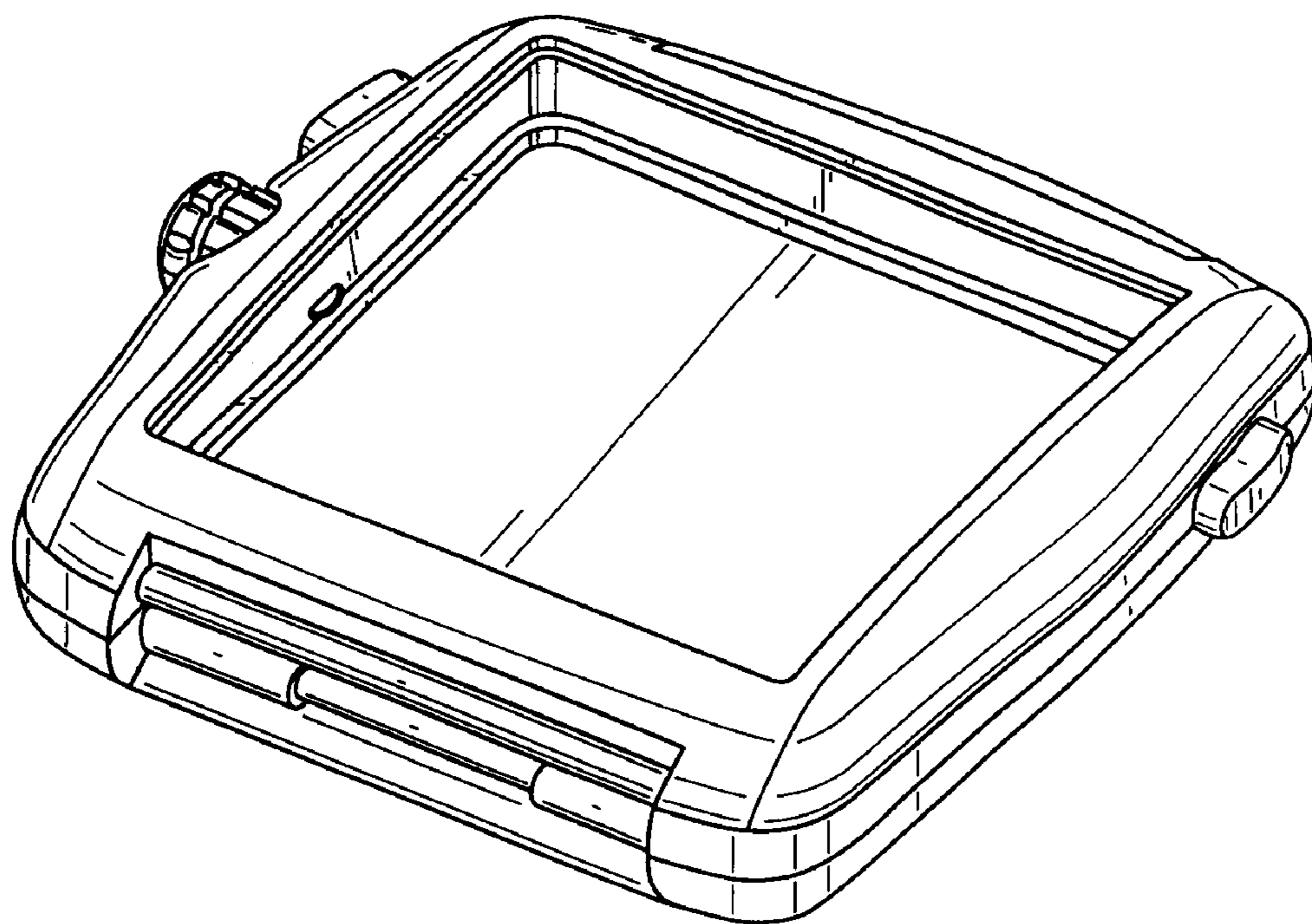


FIG. 1

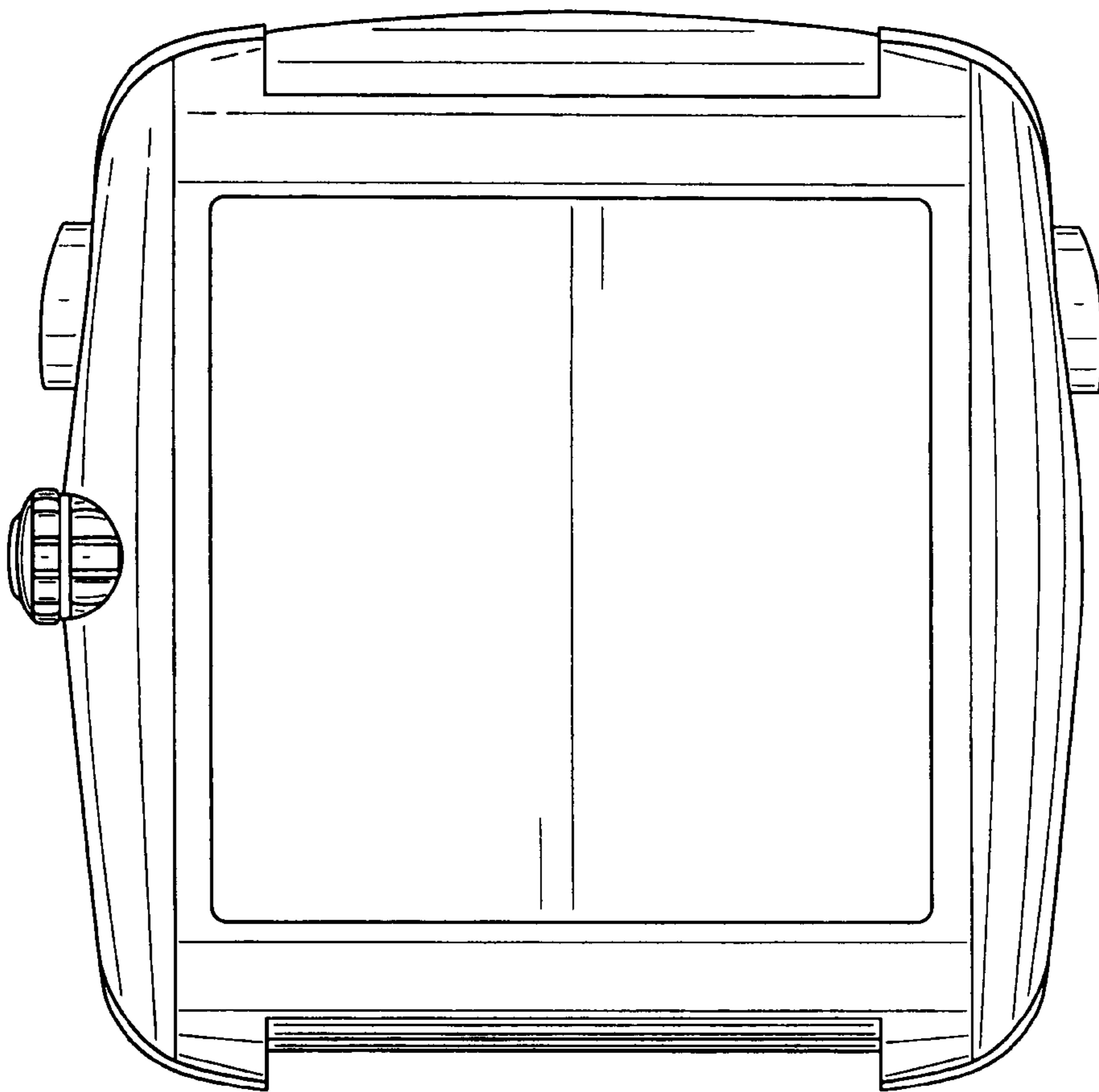


FIG. 2

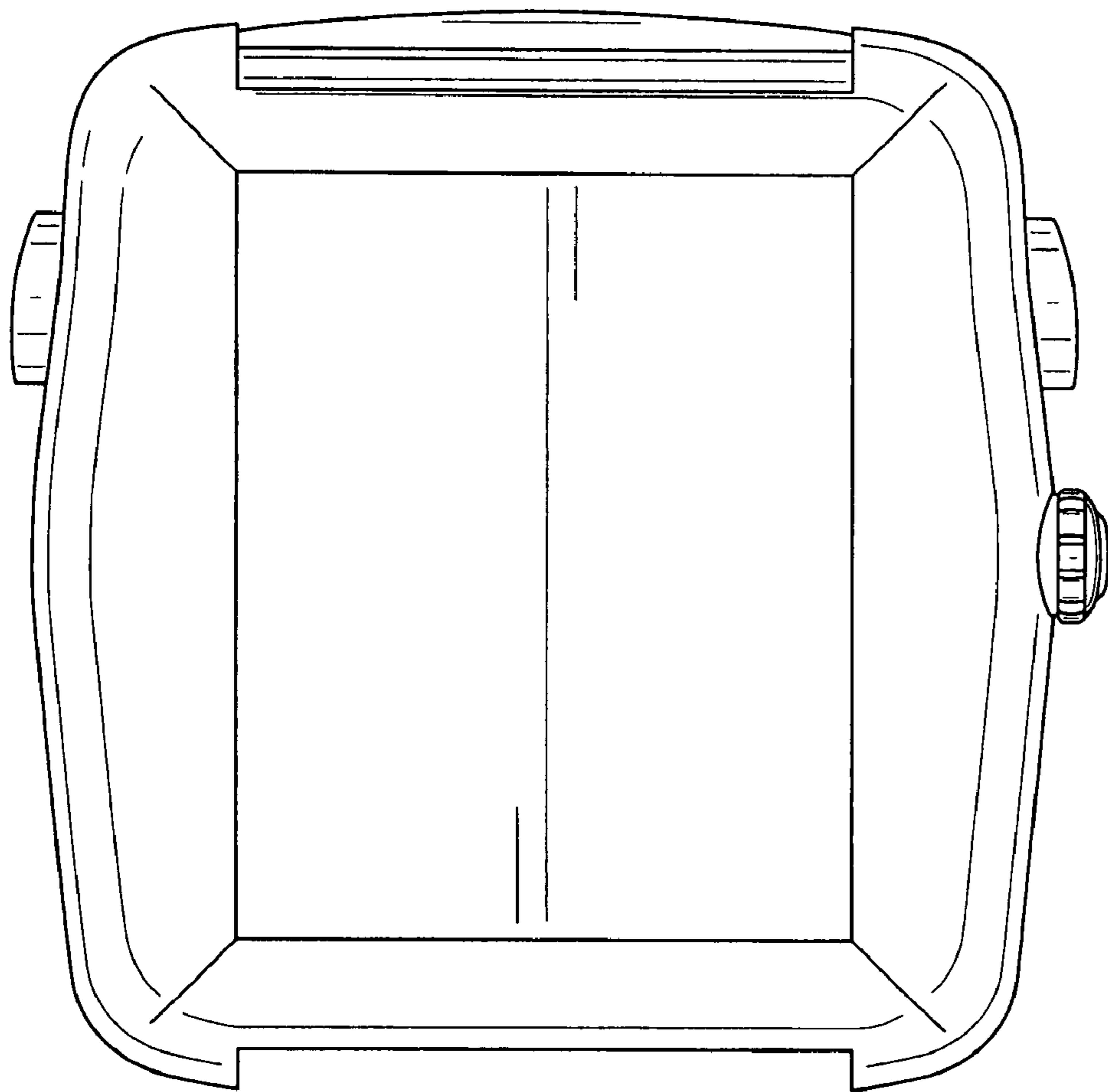


FIG. 3

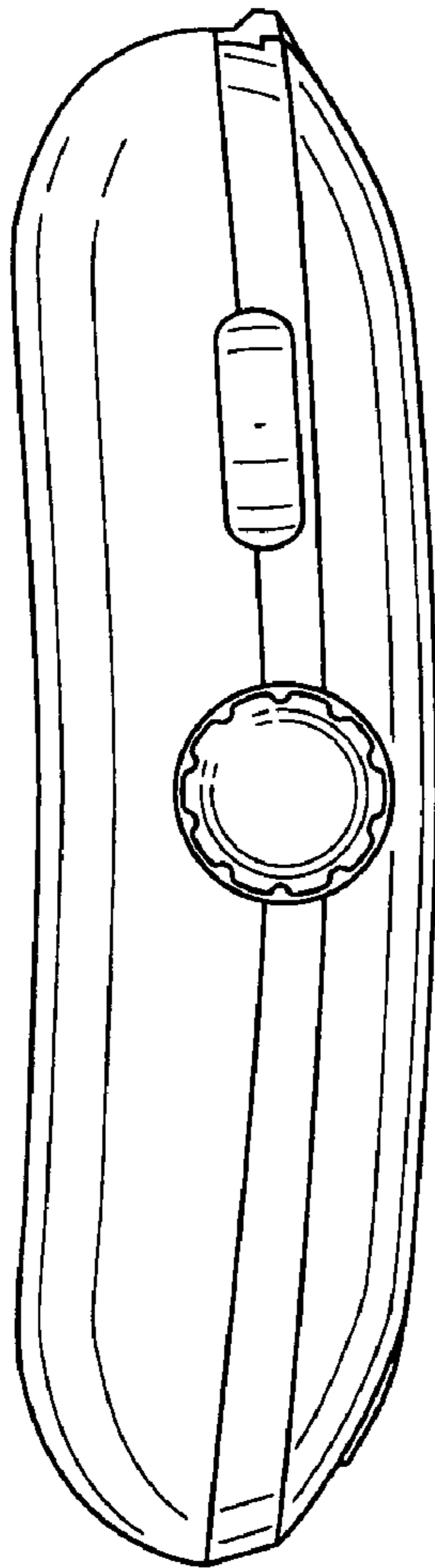


FIG. 4

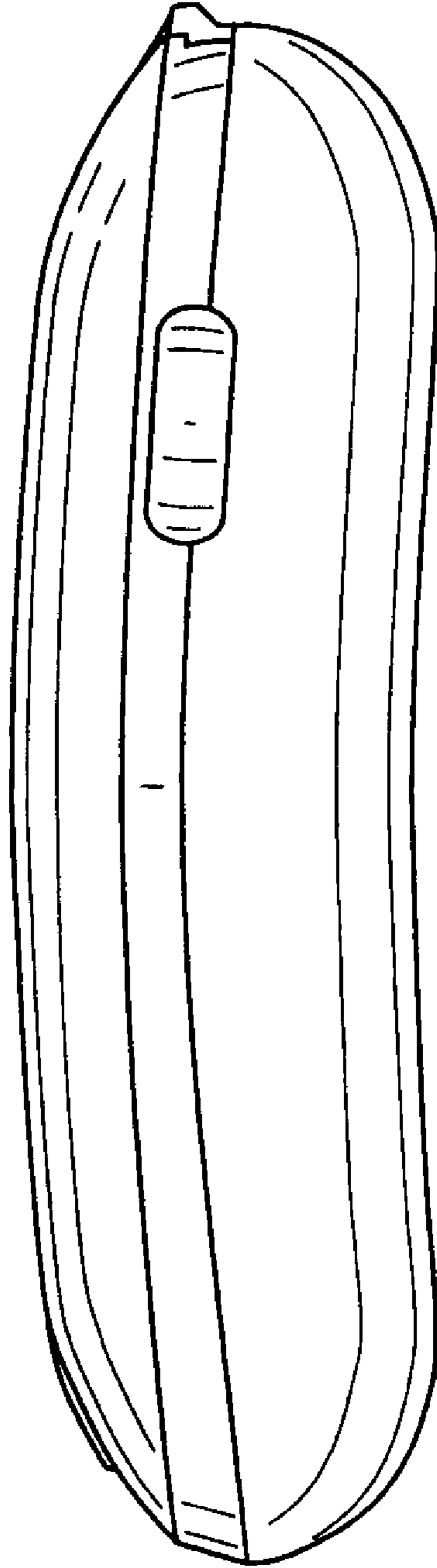


FIG. 5

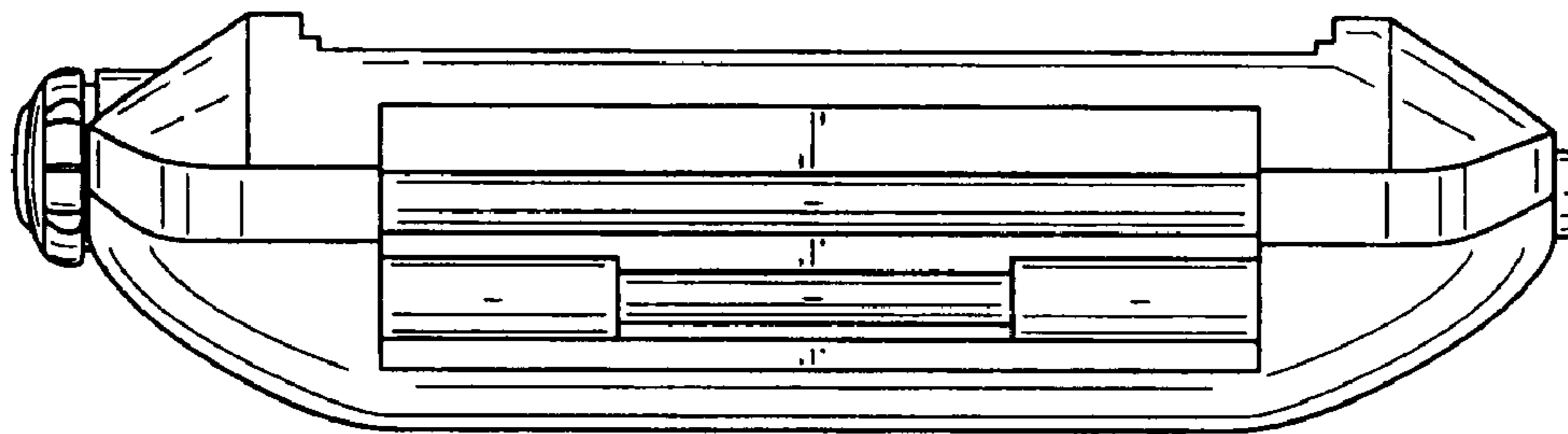


FIG. 6

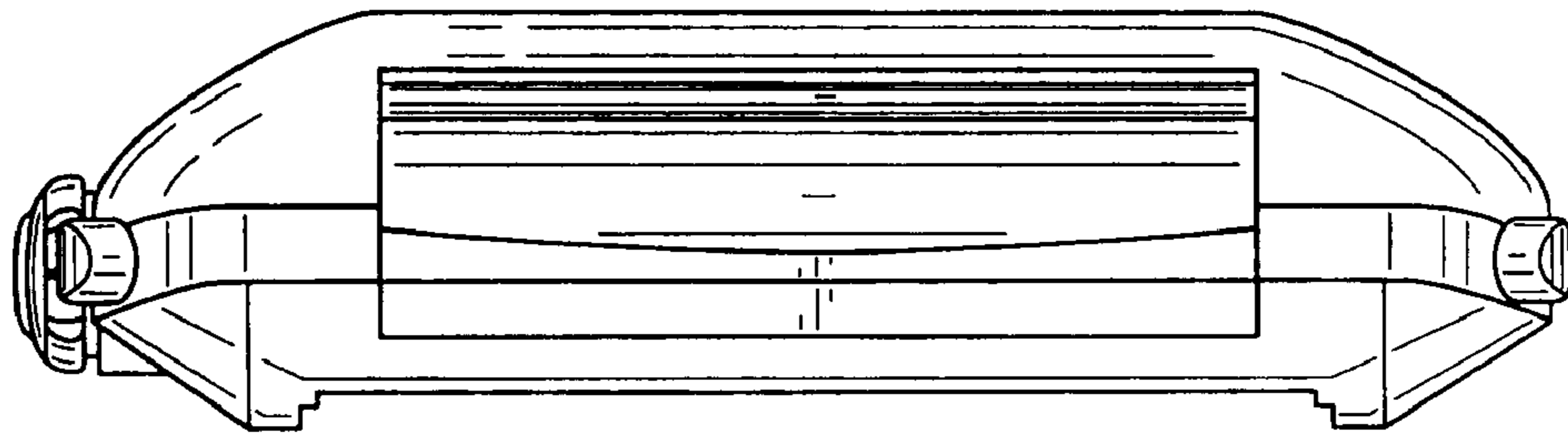


FIG. 7