

US00D528439S

(12) **United States Design Patent** (10) **Patent No.:** **US D528,439 S**
Burton (45) **Date of Patent:** **** Sep. 19, 2006**

(54) **PORTION OF A WATCH**
(75) Inventor: **Maximillian Philip Burton**, Portland, OR (US)
(73) Assignee: **Nike, Inc.**, Beaverton, OR (US)
(**) Term: **14 Years**
(21) Appl. No.: **29/253,840**
(22) Filed: **Feb. 14, 2006**
(51) **LOC (8) Cl.** **10-02**
(52) **U.S. Cl.** **D10/32; D10/38**
(58) **Field of Classification Search** D10/30-39, D10/122-132; 368/276, 285, 281-283, 294, 368/295, 10, 21, 28-30, 82-84, 223, 226, 368/228, 232, 239-242, 250; D11/3-5; 224/164, 224/175, 174, 179; 63/1.13, 3, 3.1, 3.2, 7-9
See application file for complete search history.

D391,872 S 3/1998 Sugarman et al.
D412,446 S * 8/1999 Tse D10/32
D424,532 S 5/2000 Chida
D451,826 S 12/2001 Giardiello
D455,969 S * 4/2002 Wilson D10/32
D474,116 S 5/2003 Fu et al.
D474,982 S 5/2003 Wilson
D491,472 S 6/2004 Peraldi
D501,836 S * 2/2005 Lowinger D14/138
D503,895 S 4/2005 Black
D504,330 S 4/2005 Dias
2002/0131330 A1 9/2002 Zion et al.
2005/0276164 A1 12/2005 Amron

OTHER PUBLICATIONS

Swiss Watch and Jewelry Journal, Feb., 1977, p. 197, watch on right side.*
Swiss Watch and Jewelry Journal, Jan., 1977, p. 36, "Wylar" watch, second from right.*
Evans Catalog, 1978, p. 92, "Helbros" watch, item No. 6.*
* cited by examiner

(56) **References Cited**
U.S. PATENT DOCUMENTS

1,601,522 A 9/1926 Freedman
D112,345 S 11/1938 Megar
D224,913 S * 10/1972 Maroni D10/32
3,889,460 A * 6/1975 Yasukawa et al. 368/217
4,041,295 A * 8/1977 Ido et al. 708/111
4,090,353 A * 5/1978 Maeda et al. 368/188
4,209,973 A 7/1980 Maezawa
D263,452 S * 3/1982 Wada D10/38
D265,062 S * 6/1982 Hirabayashi D10/38
D266,831 S * 11/1982 Iida D10/38
4,403,869 A * 9/1983 Crutcher 368/10
4,862,436 A 8/1989 Harilela
D303,635 S 9/1989 Kurzina
D303,768 S 10/1989 Wakamatsu
D329,201 S 9/1992 Barat
D361,042 S 8/1995 Nanayakkara
D364,097 S 11/1995 Mickey, Sr.
5,477,508 A 12/1995 Will
D366,036 S 1/1996 Houlihan
D383,985 S * 9/1997 Davenport D10/31
D388,339 S 12/1997 Wunderman

Primary Examiner—Lucy Lieberman
(74) *Attorney, Agent, or Firm*—Banner & Witcoff, Ltd.

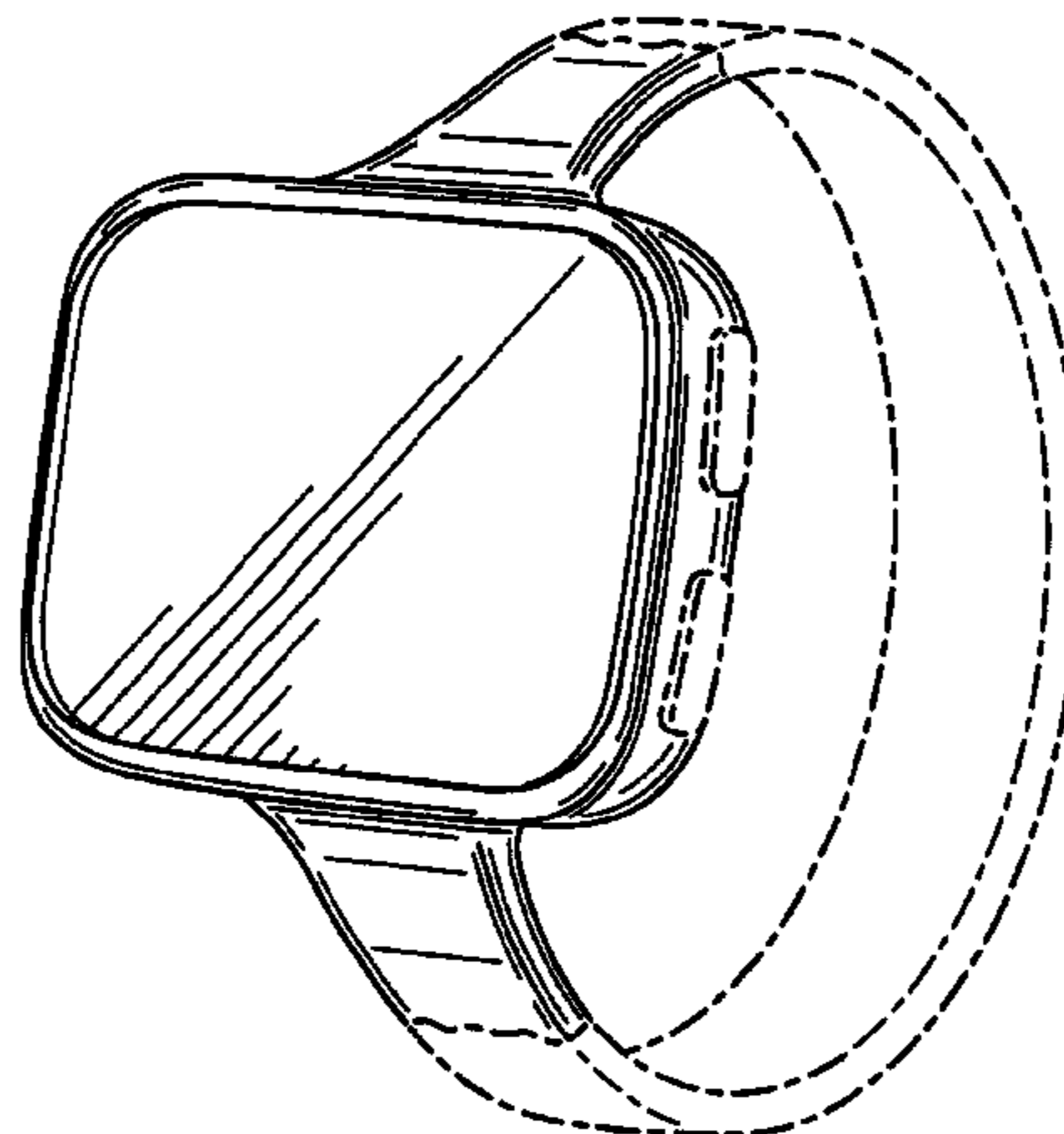
(57) **CLAIM**

The ornamental design for a portion of a watch, as shown and described.

DESCRIPTION

FIG. 1 is a perspective view of a portion of a watch showing my new design;
FIG. 2 is a front view thereof;
FIG. 3 is a rear view thereof;
FIG. 4 is a right side view thereof;
FIG. 5 is a left side view thereof;
FIG. 6 is a top view thereof; and,
FIG. 7 is a bottom view thereof.
The broken line showing of the buttons and the remainder of the watch is for illustrative purposes only and forms no part of the claimed design.

1 Claim, 4 Drawing Sheets



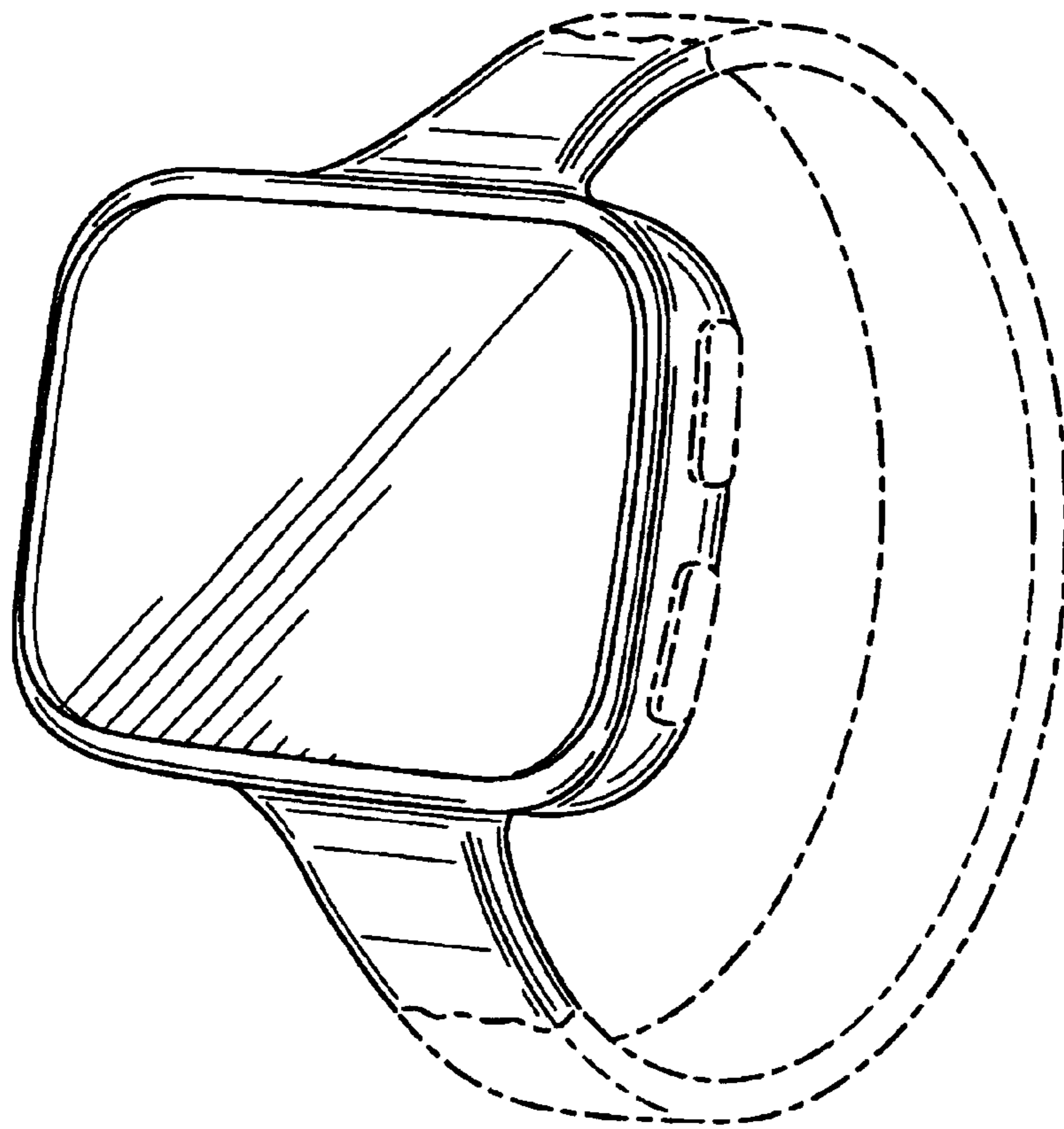


FIG. 1

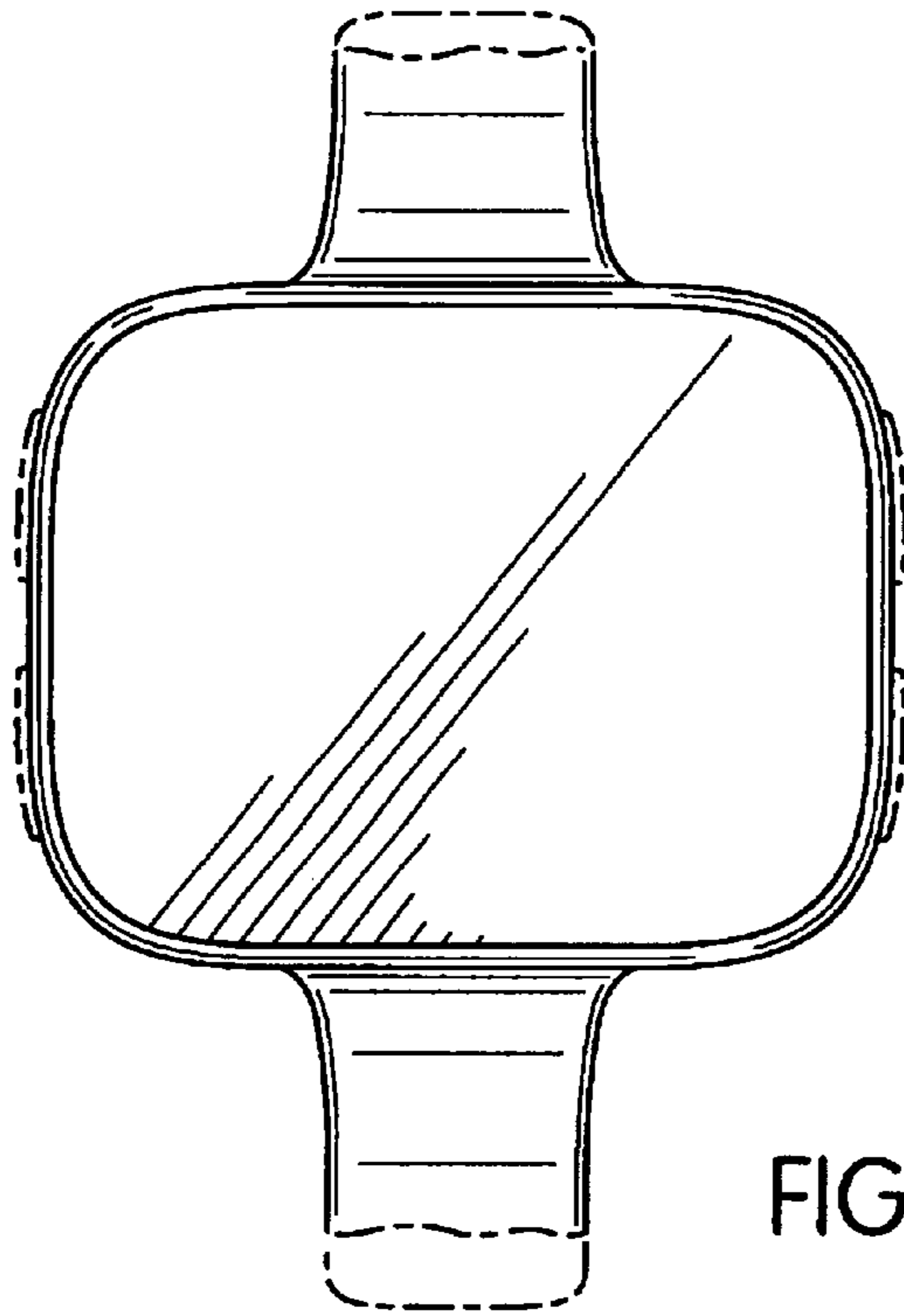


FIG. 2

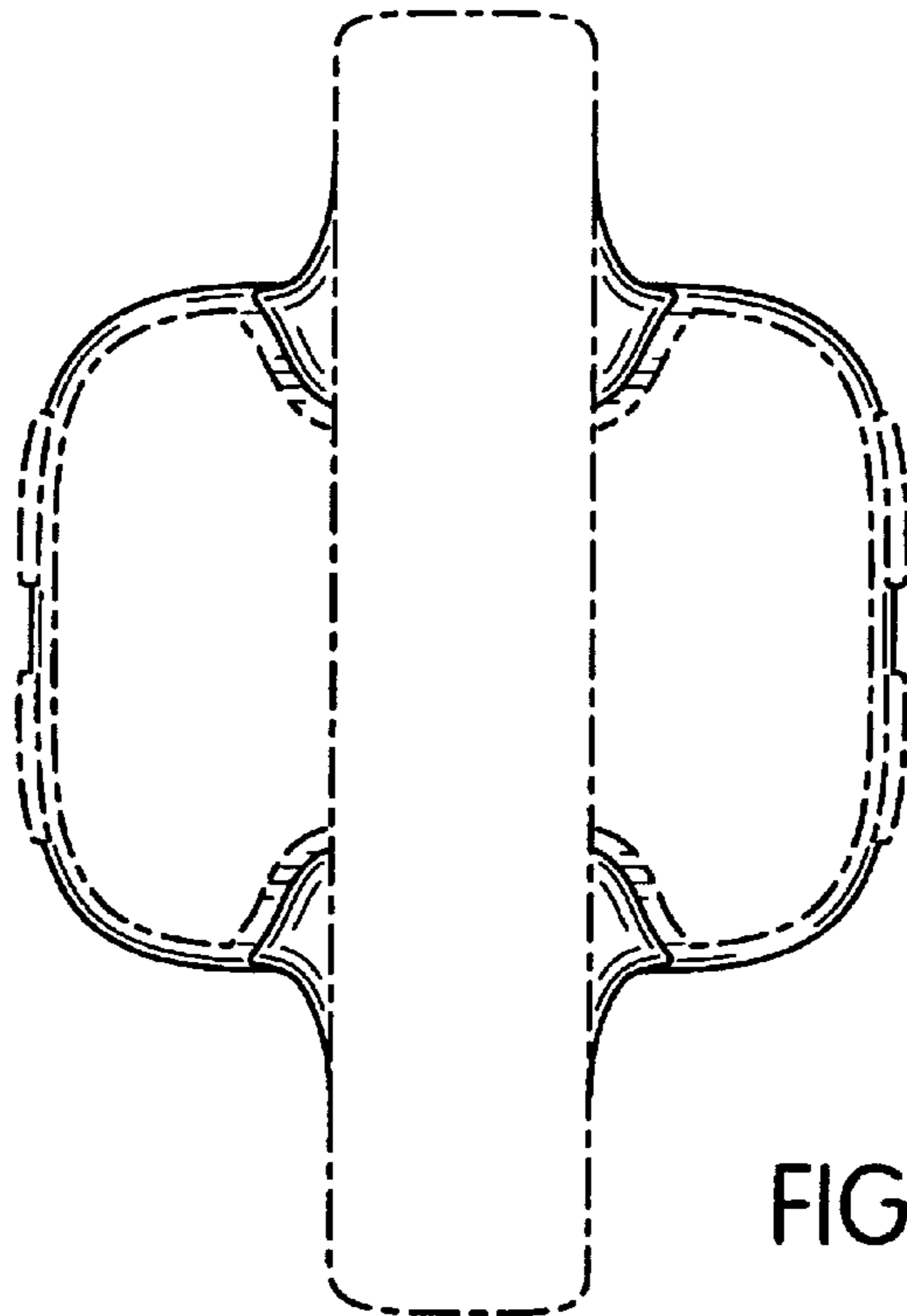


FIG. 3

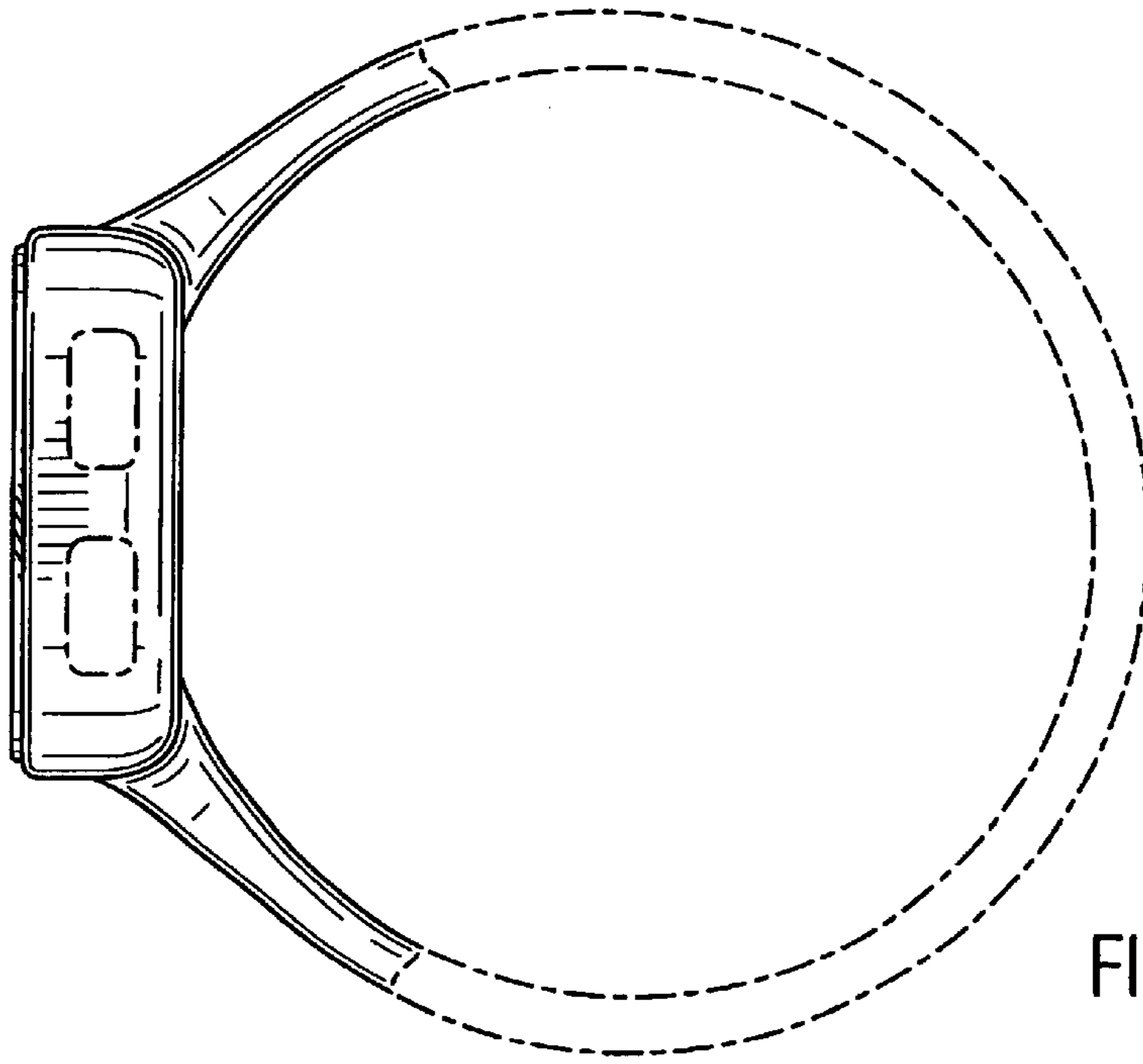


FIG. 4

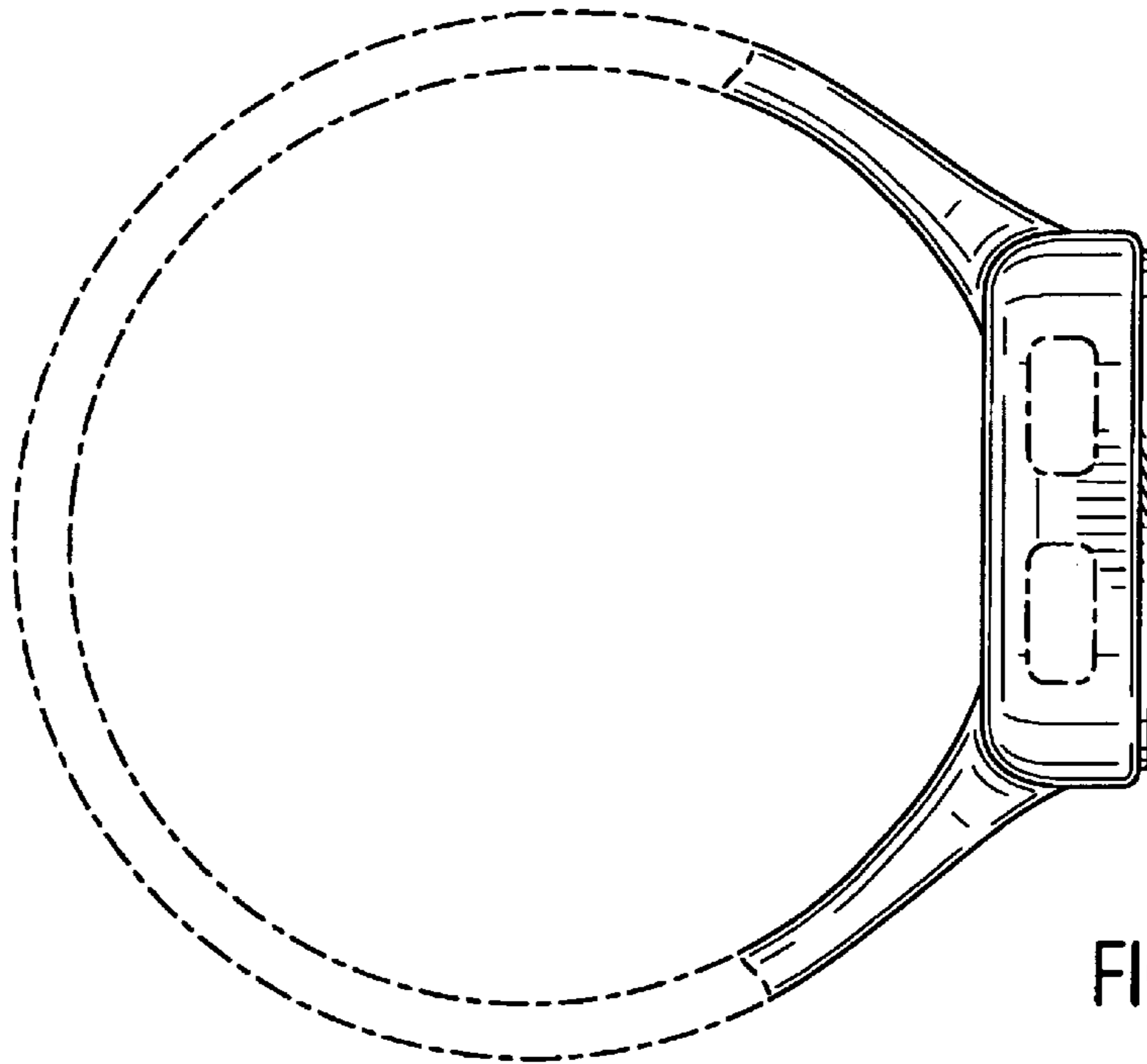


FIG. 5

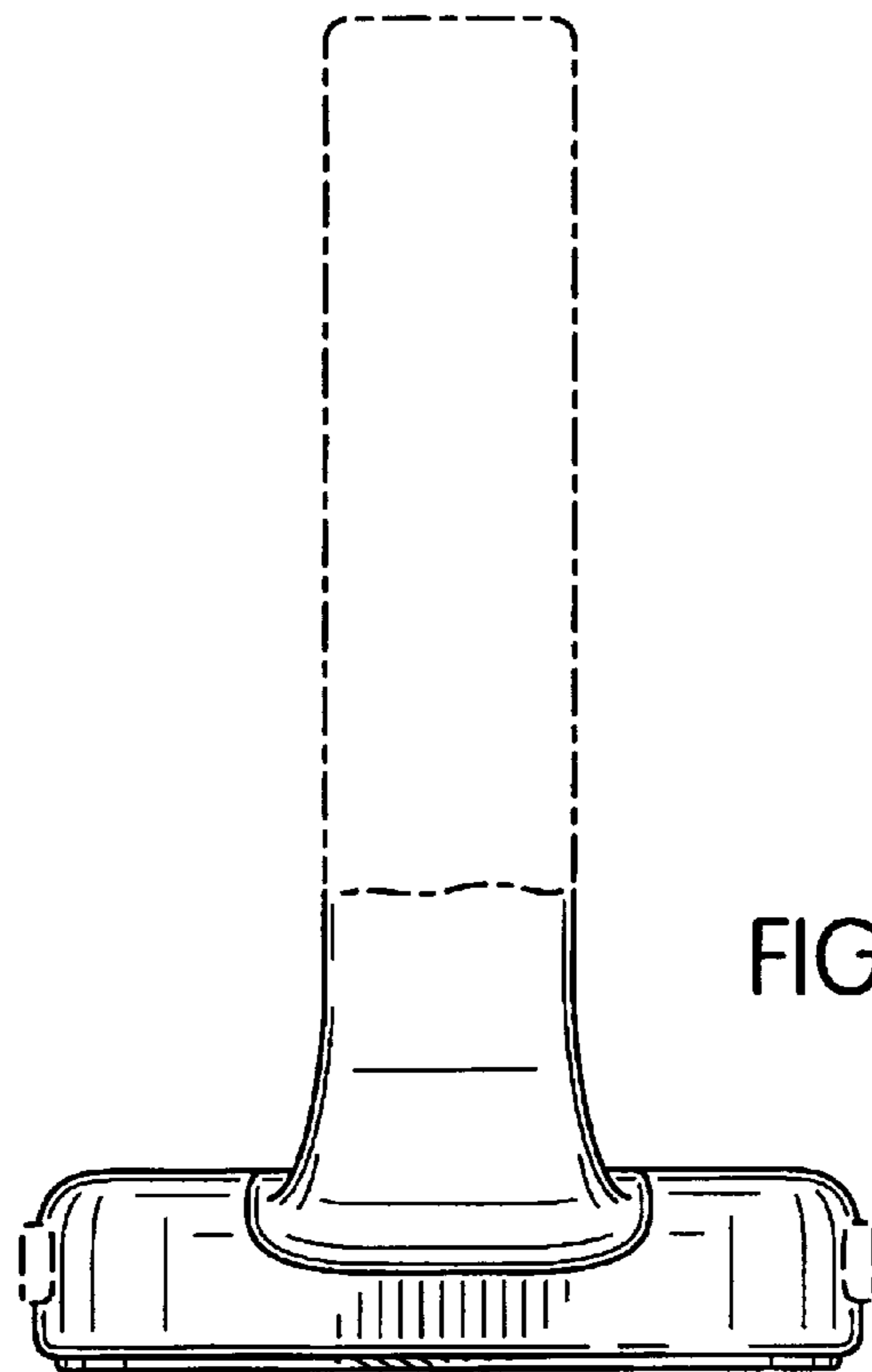


FIG. 6

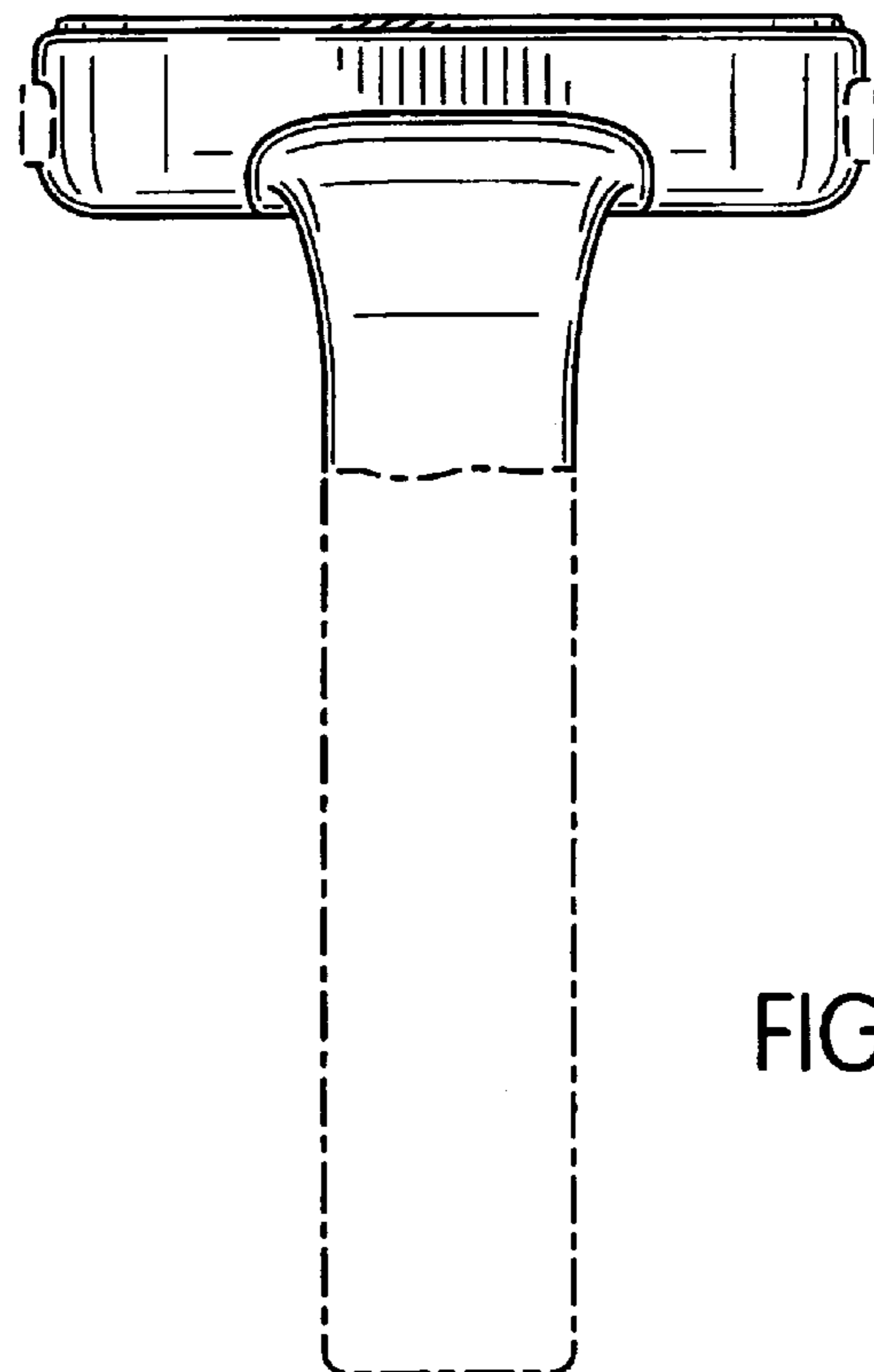


FIG. 7