

US00D528436S

(12) **United States Design Patent**  
**Strepkoff**

(10) **Patent No.:** **US D528,436 S**

(45) **Date of Patent:** **\*\* Sep. 19, 2006**

(54) **BOTTLE CARRIER**

2002/0198489 A1 12/2002 Silver ..... 604/74  
2003/0149398 A1 8/2003 Renz et al. .... 604/74

(75) Inventor: **Karl Strepkoff**, Tokyo (JP)

FOREIGN PATENT DOCUMENTS

(73) Assignee: **Soie Coquine Yugen Kaisha**, Ota-ku  
(JP)

JP D1232503 3/2005  
WO WO 2005/016409 2/2005

(\*\*) Term: **14 Years**

OTHER PUBLICATIONS

(21) Appl. No.: **29/232,473**

International Search Report based on PCT/US04/25285  
dated Oct. 30, 2005.

(22) Filed: **Jun. 20, 2005**

\* cited by examiner

(30) **Foreign Application Priority Data**

Dec. 27, 2004 (JP) ..... 2004-039957

(51) **LOC (8) Cl.** ..... **09-03**

(52) **U.S. Cl.** ..... **D9/753**

(58) **Field of Classification Search** ..... D9/751-753,  
D9/434, 455; D3/313; 206/150, 151, 158,  
206/159, 160-162, 147, 199; 294/87.2, 159,  
294/87.28

See application file for complete search history.

*Primary Examiner*—Stella Reid

*Assistant Examiner*—Mark Goodwin

(74) *Attorney, Agent, or Firm*—Ohlandt, Greeley, Ruggiero  
& Perle, L.L.P.

(57) **CLAIM**

The ornamental design for a bottle carrier, as shown and  
described.

**DESCRIPTION**

FIG. 1 is a top perspective view of a bottle carrier showing  
our new design in use condition.

FIG. 2 is a top perspective view of the bottle carrier  
according to the present disclosure;

FIG. 3 is a first side view of the bottle carrier of FIG. 2, the  
opposite side being identical thereto;

FIG. 4 is a second side view of the bottle carrier of FIG. 2,  
the opposite side being identical thereto;

FIG. 5 is a top plan view of the bottle carrier of FIG. 2;

FIG. 6 is a bottom plan view of the bottle carrier of FIG. 2;

FIG. 7 is a sectional view of the bottle carrier taken along  
line 7—7 of FIG. 3; and,

FIG. 8 is a sectional view of the bottle carrier taken along  
line 8—8 of FIG. 4.

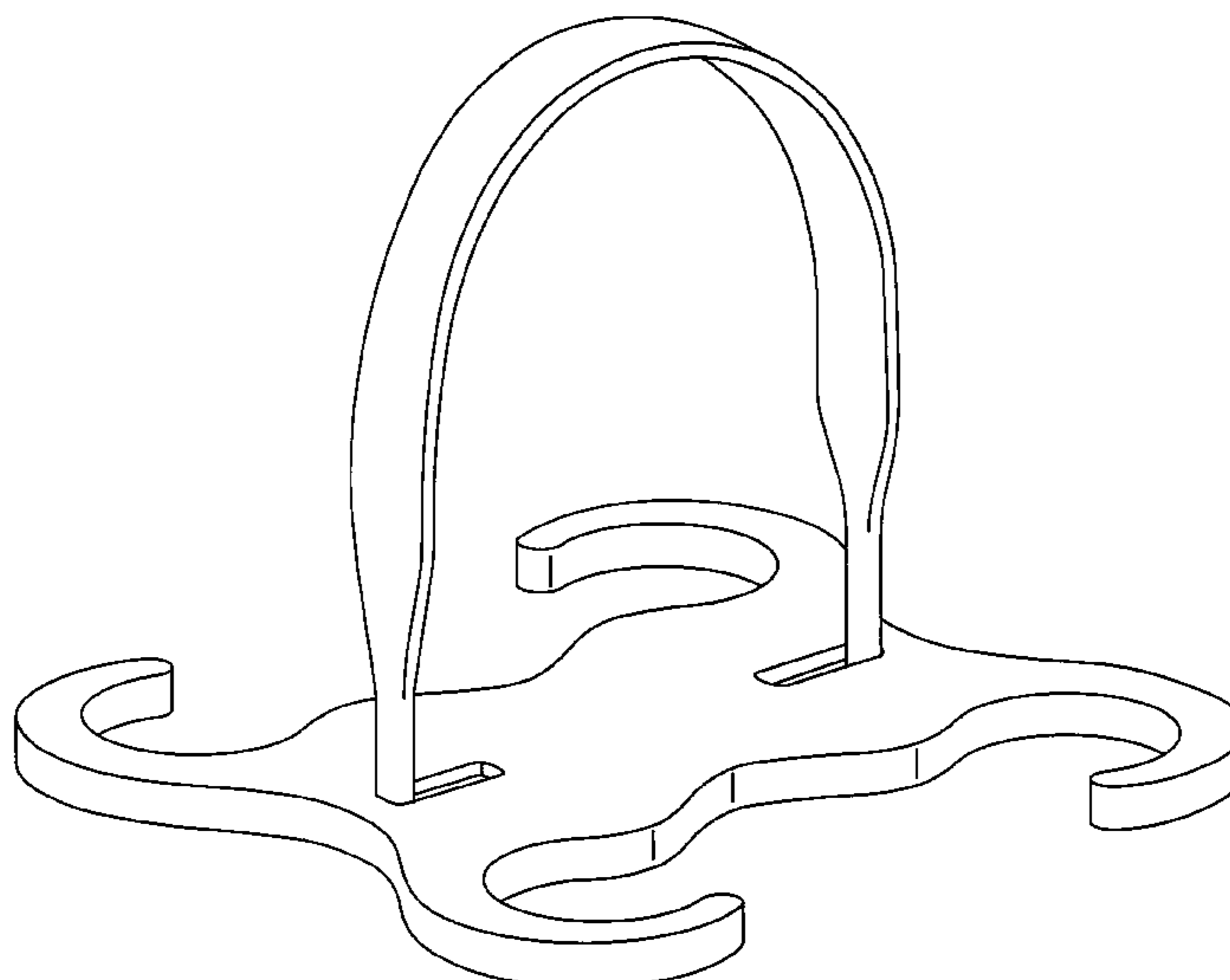
The broken line showing of bottles in FIG. 1 is for illustra-  
tive purposes only and forms no part of the claimed design.

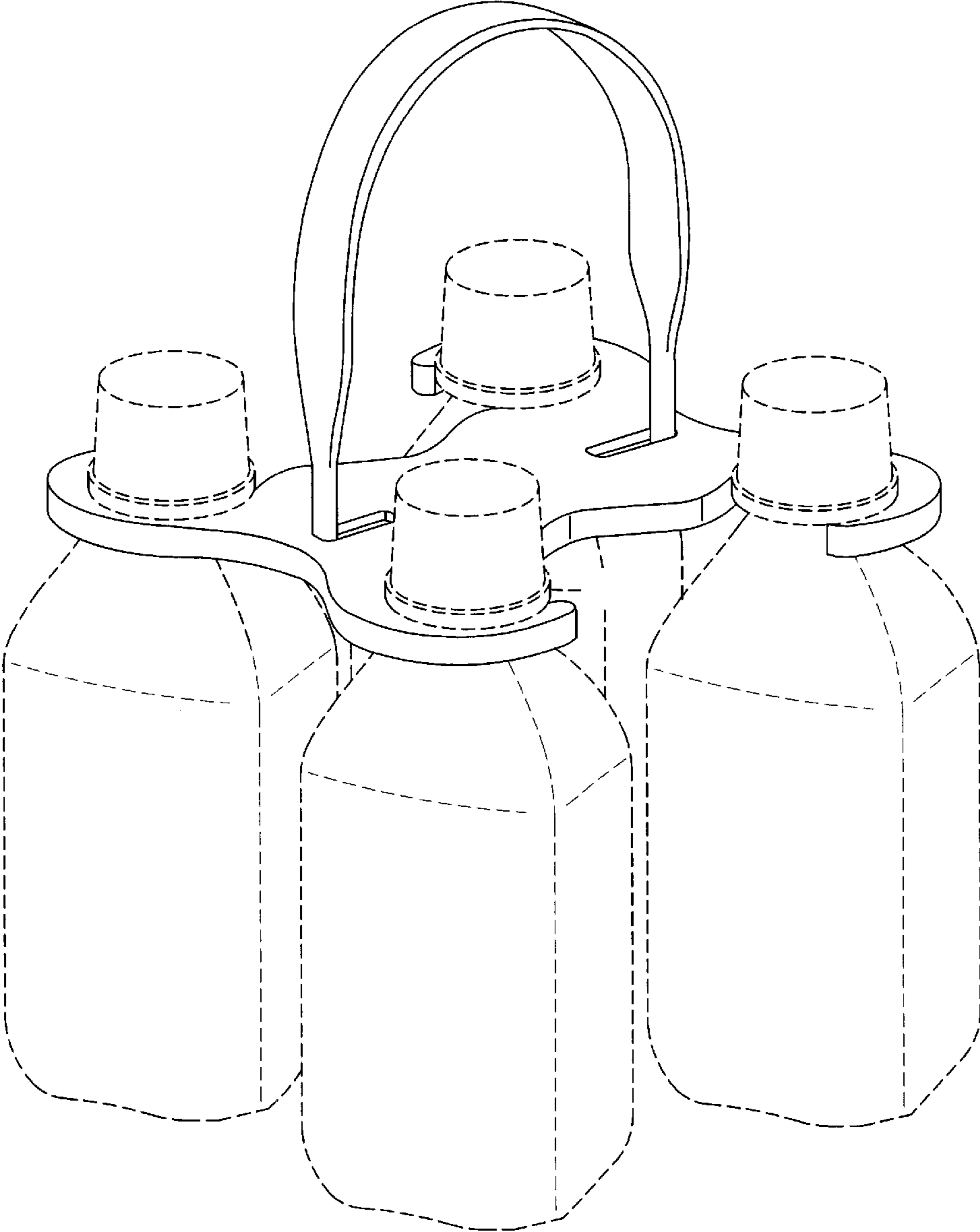
(56) **References Cited**

U.S. PATENT DOCUMENTS

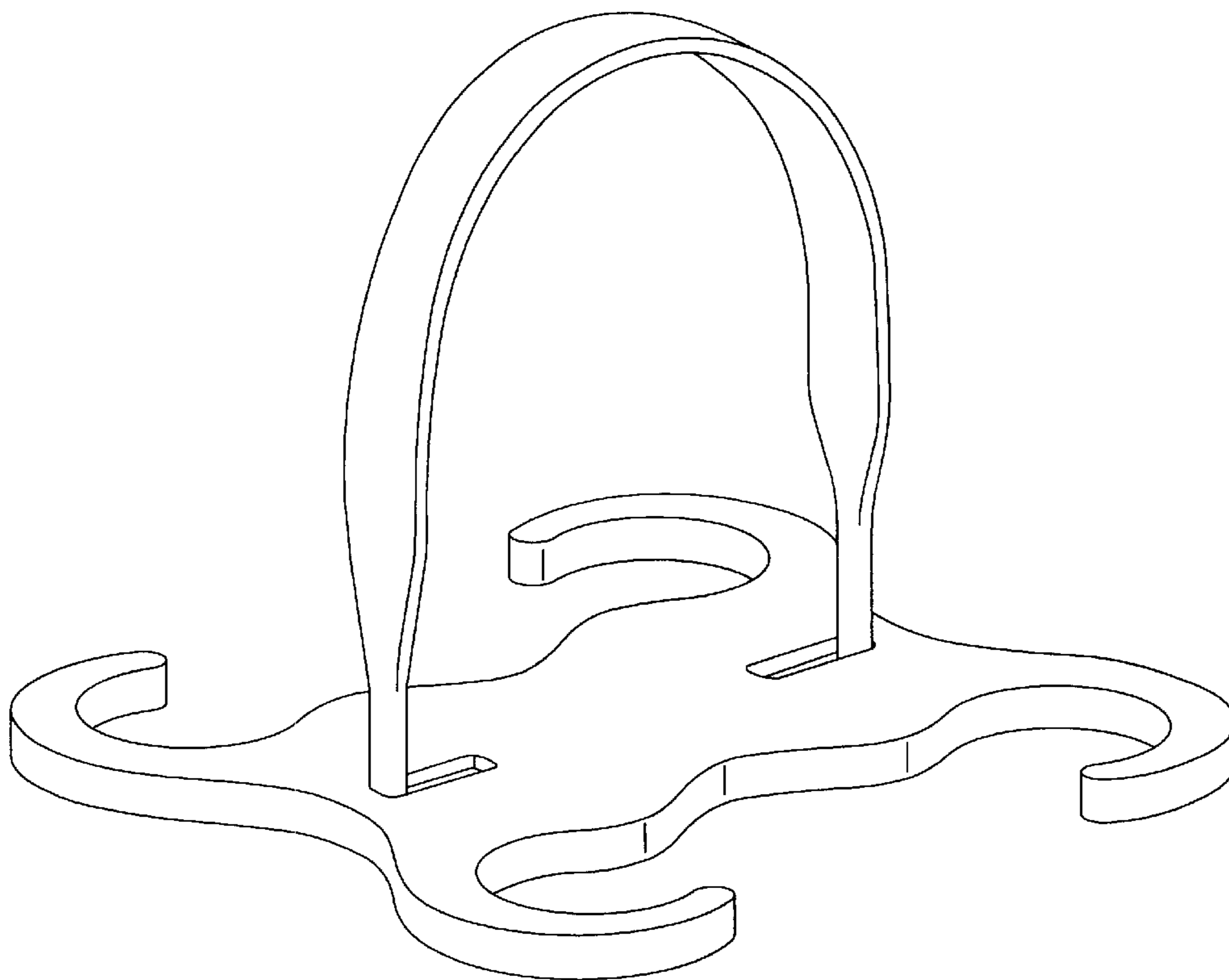
2,435,833 A \* 2/1948 Hazelet ..... 411/80.5  
D180,901 S \* 9/1957 Glazer ..... D3/313  
2,865,669 A \* 12/1958 Linthicum ..... 294/87.2  
2,996,329 A \* 8/1961 Glazer ..... 294/87.2  
3,003,805 A \* 10/1961 Glazer ..... 294/87.2  
3,036,853 A \* 5/1962 Glazer ..... 294/87.2  
3,167,347 A \* 1/1965 Hewlings ..... 294/87.2  
D237,589 S \* 11/1975 Calvert ..... D9/752  
D238,249 S \* 12/1975 Erickson ..... D9/752  
4,623,185 A \* 11/1986 Thomas ..... 294/87.28  
4,911,289 A \* 3/1990 Bird ..... 206/150  
5,049,126 A 9/1991 Larsson ..... 604/74  
5,168,990 A \* 12/1992 Johnson ..... 206/151  
5,188,413 A \* 2/1993 Nathan ..... 294/87.2  
D386,408 S \* 11/1997 Wasielewski et al. .... D9/434  
D405,687 S \* 2/1999 Borg ..... D9/752  
D412,663 S \* 8/1999 Erickson ..... D9/752

**1 Claim, 8 Drawing Sheets**

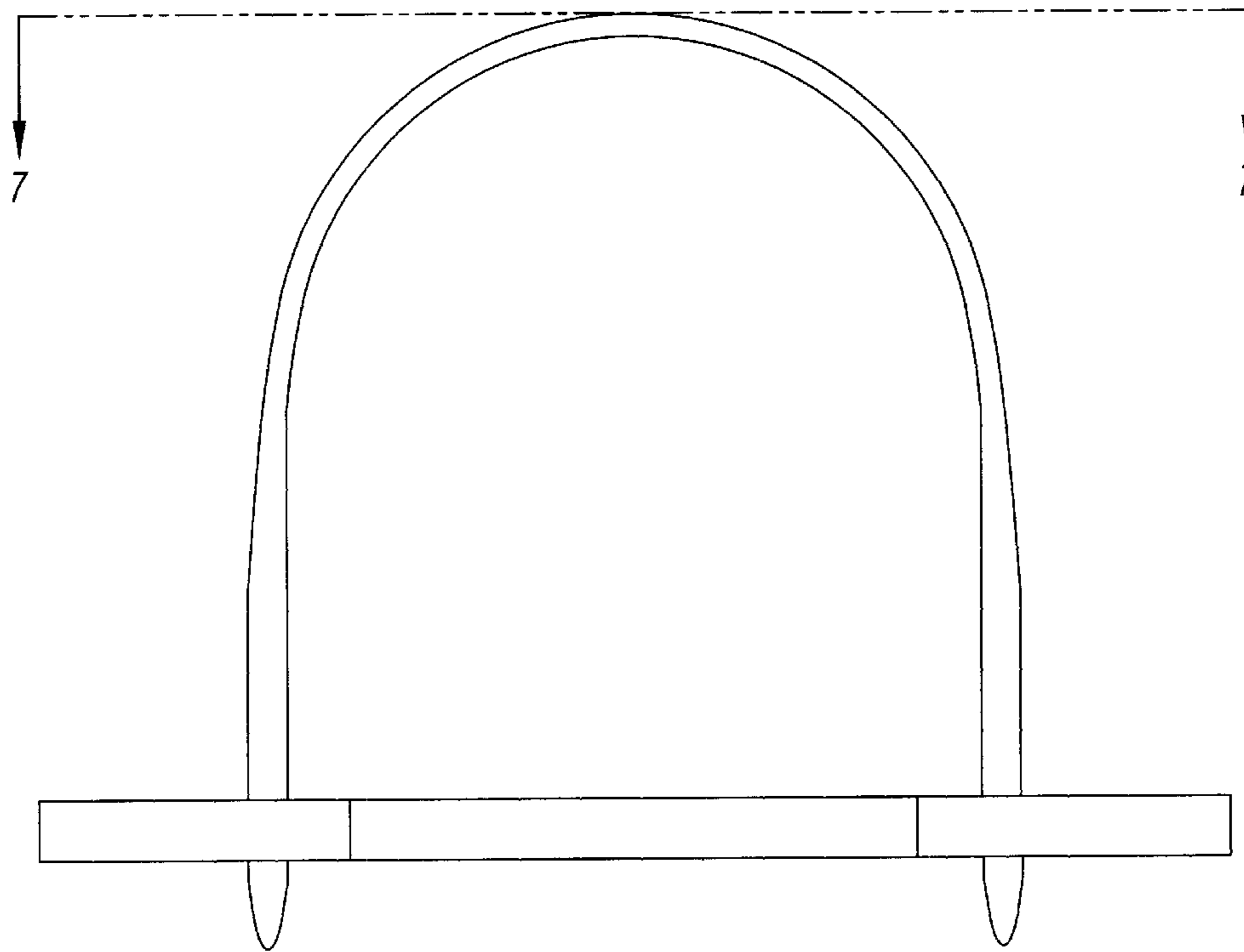




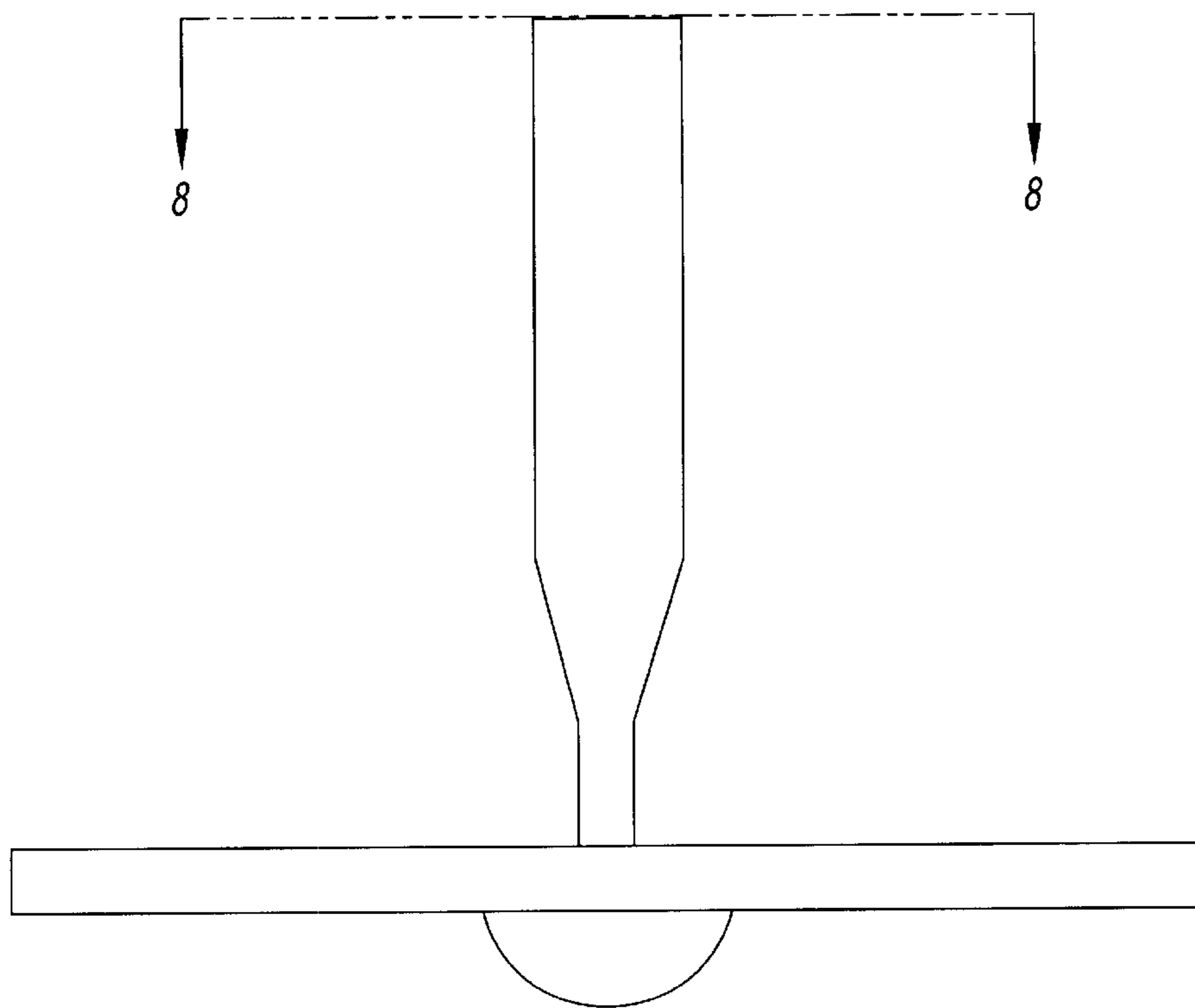
*Fig. 1*



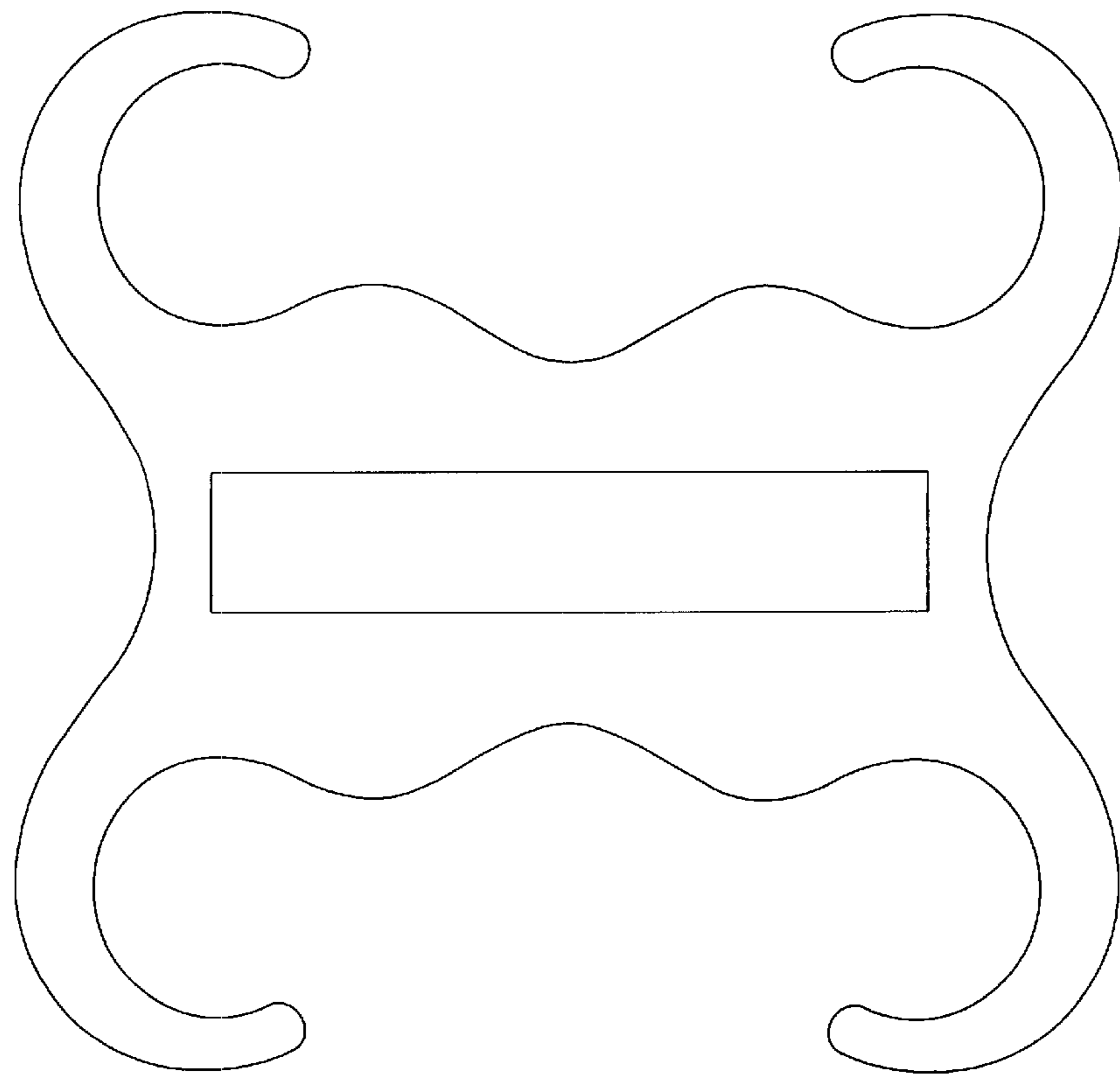
*Fig. 2*



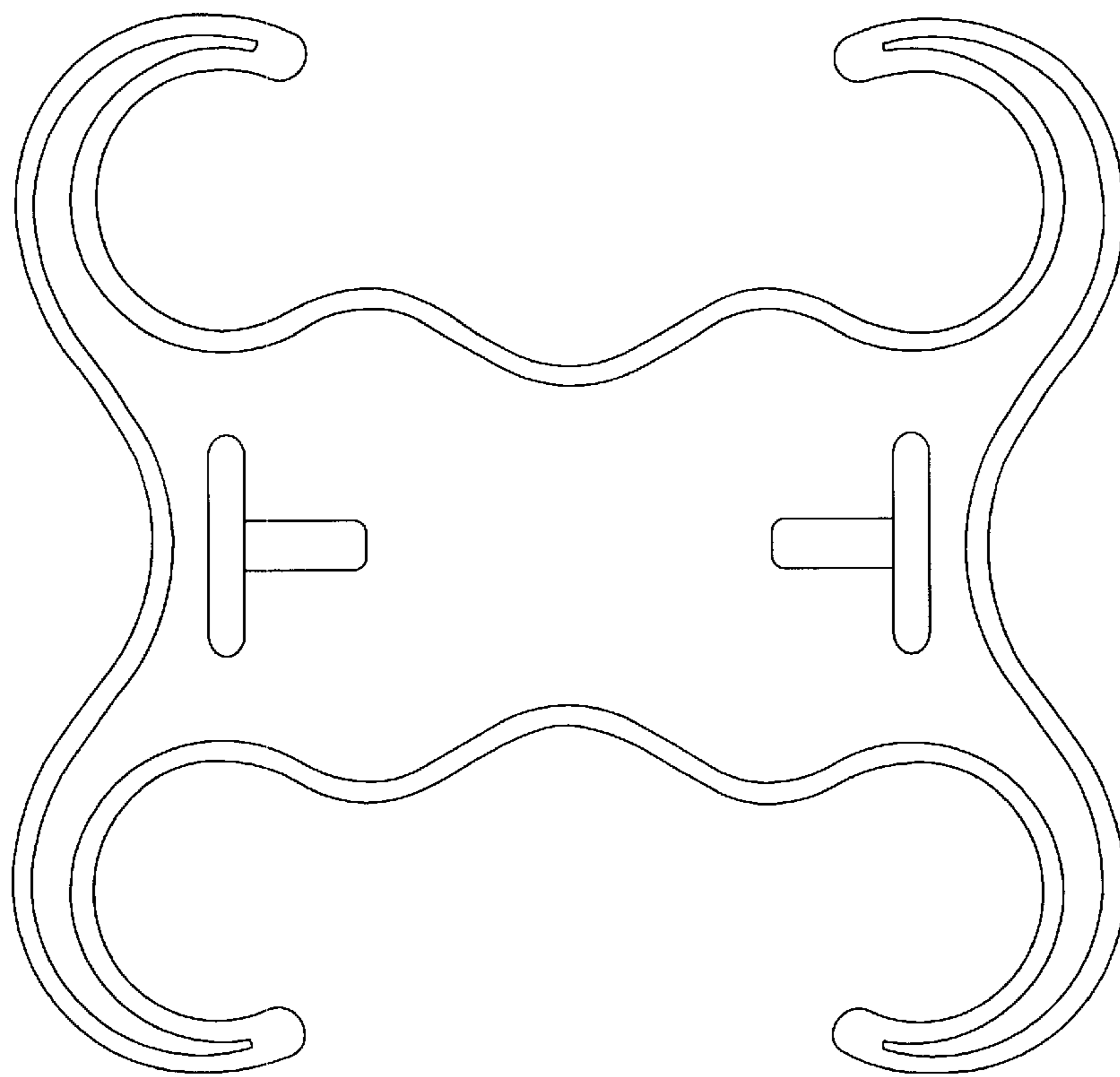
*Fig. 3*



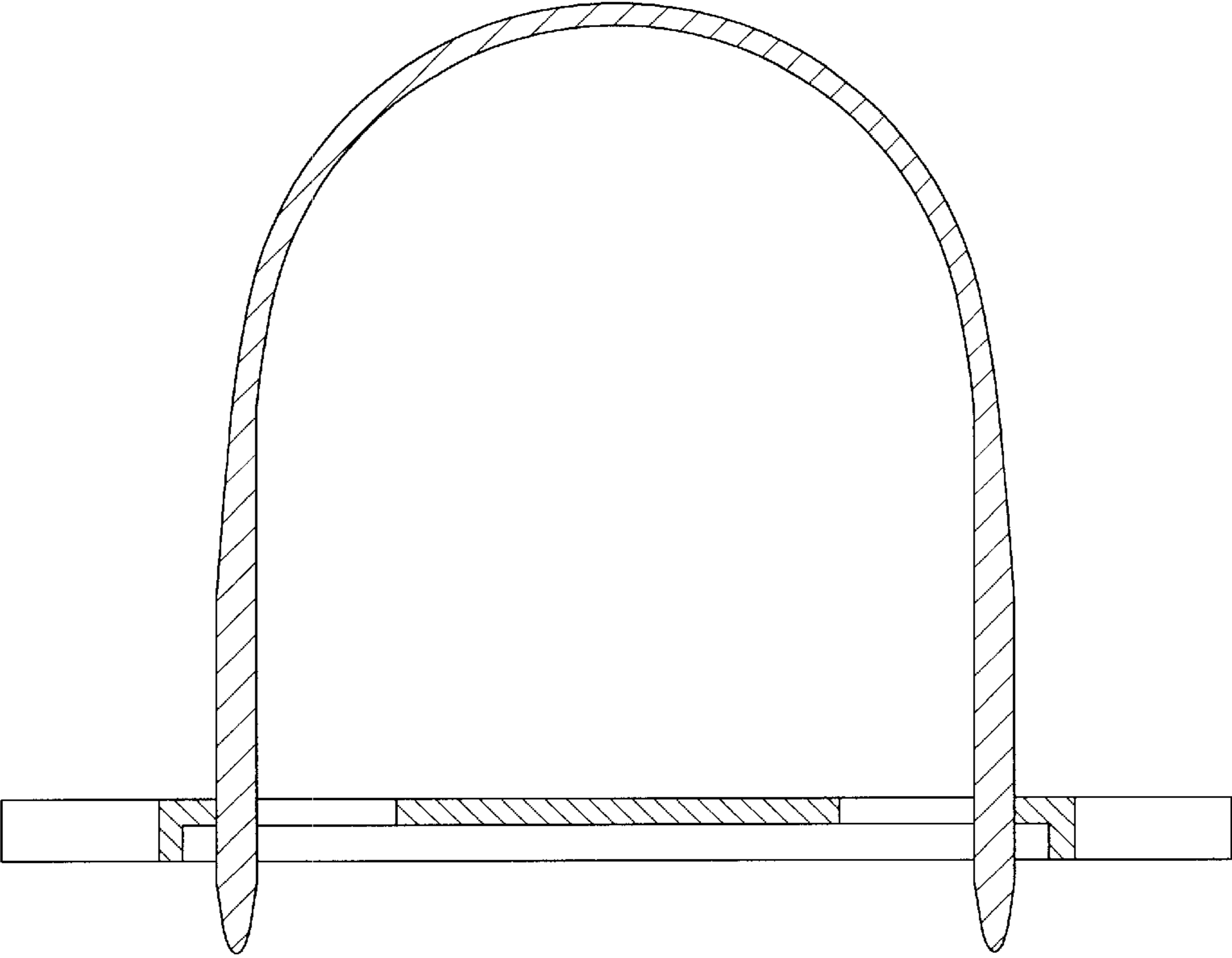
*Fig. 4*



*Fig. 5*

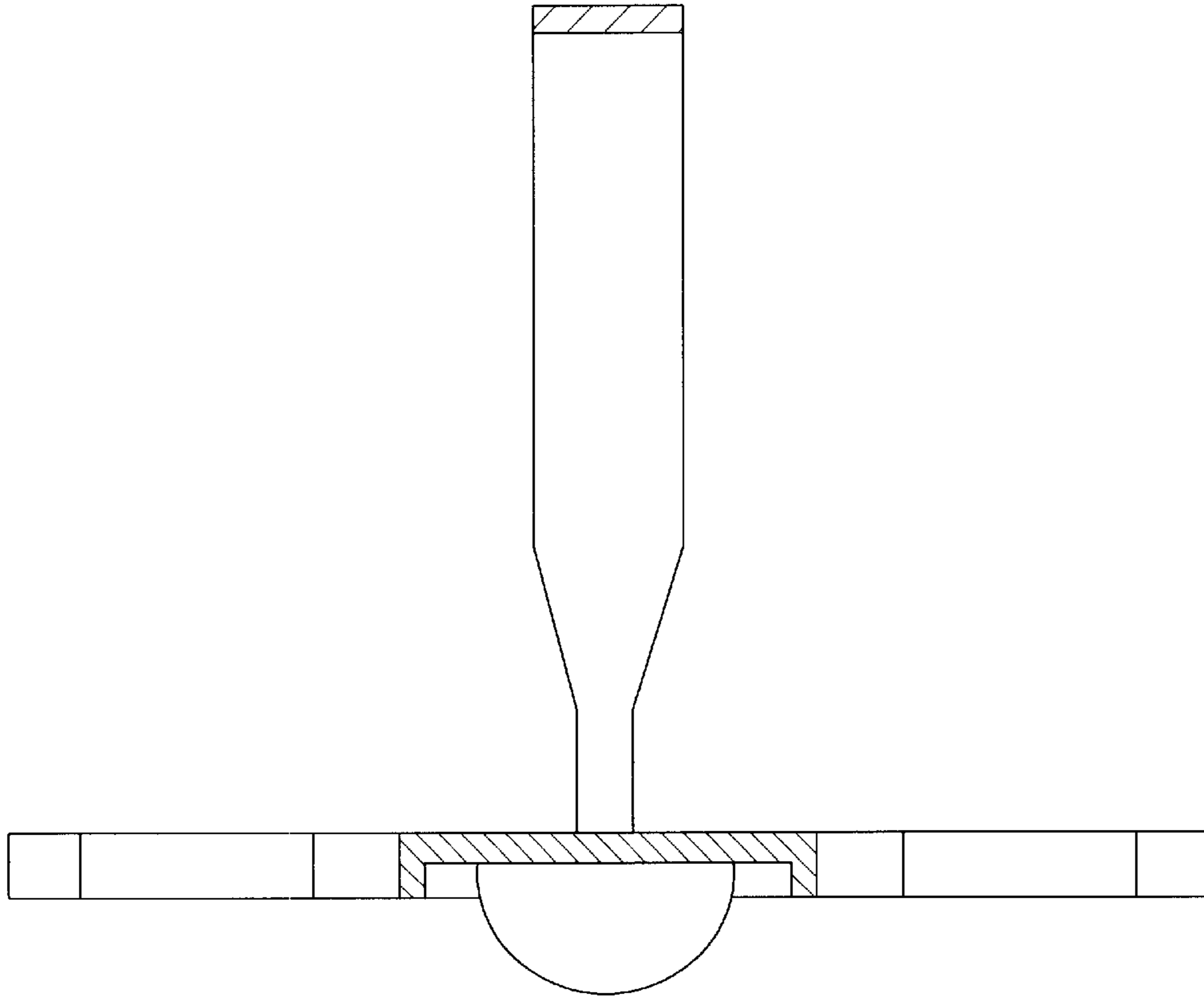


*Fig. 6*



*Fig. 7*





*Fig. 8*