



US00D528434S

(12) **United States Design Patent** (10) **Patent No.:** **US D528,434 S**  
**Wolpow** (45) **Date of Patent:** **\*\* Sep. 19, 2006**

(54) **MEDICAL DISPENSING CONTAINER**

(75) Inventor: **Richard A. Wolpow**, Newport Beach, CA (US)

(73) Assignee: **Dispensing Solutions, Inc.**, Santa Ana, CA (US)

(\*\*) Term: **14 Years**

(21) Appl. No.: **29/233,386**

(22) Filed: **Jul. 1, 2005**

(51) **LOC (8) Cl.** ..... **09-03**

(52) **U.S. Cl.** ..... **D9/733**

(58) **Field of Classification Search** ..... D9/730,  
D9/733, 734, 414-418, 430, 432, 433; D6/512,  
D6/515, 517; 206/526, 527; 229/100, 120,  
229/122, 122.1

See application file for complete search history.

(56) **References Cited**

**U.S. PATENT DOCUMENTS**

902,347	A	*	10/1908	Tillinghast	.....	229/122.1
1,725,372	A	*	8/1929	Richman	.....	229/122.1
D249,764	S	*	10/1978	Burklacich	.....	D6/517
D305,588	S	*	1/1990	Behringer	.....	D6/517
D308,146	S	*	5/1990	Speaker	.....	D6/515
D354,865	S	*	1/1995	Situ	.....	D6/518
5,425,474	A	*	6/1995	Dalea et al.	.....	206/526
D381,850	S	*	8/1997	Alig et al.	.....	D6/517
D400,095	S	*	10/1998	Uebele	.....	D9/734
D502,621	S	*	3/2005	Ho	.....	D6/515
D508,849	S	*	8/2005	Kumakura et al.	.....	D9/430
D509,689	S	*	9/2005	Ho	.....	D6/515

**OTHER PUBLICATIONS**

Article from website: [www.dispensingsolutionsinc.com](http://www.dispensingsolutionsinc.com) "The Medicine Cabinet" (1 page) Aug. 20, 2004.

Article from website: [www.dispensingsolutionsinc.com](http://www.dispensingsolutionsinc.com) "Medication Errors: Is Unit-Dose Packaging the Solution?" (2 pages); Published Feb., 1998; Copyright 1998 Pharmaceutical & Medical Packaging News.

Article from website: [www.dispensingsolutionsinc.com](http://www.dispensingsolutionsinc.com) "Dispensing Solutions and ePhysician Partner To Equip DSI's 'Dsystem' In-Office Drug-Dispensing With Hand-held Electronic Prescribing" (2 pages); Nov. 1, 2001.

Article from website: [www.dispensingsolutionsinc.com](http://www.dispensingsolutionsinc.com) Dispensing Solutions, Inc. Has Prescription For Hassle: Free In-Office Dispensing (2 pages); Aug. 1, 2001.

Article from website: [www.dispensingsolutionsinc.com](http://www.dispensingsolutionsinc.com) "OC Register.com" "Digital Doctor" (3 pages); Dec. 5, 2001.

Article from website: [www.cardinal.com](http://www.cardinal.com) Cardinal Health Announces PatientPak-340B Program To Deliver Unit of Use Medication Directly to Customers (2 pages); Jun. 16, 2004.

Article from website: [www.pbmi.com](http://www.pbmi.com) "Rebate Contracting 101" (1 page); 2001.

\* cited by examiner

*Primary Examiner*—Nanda Bondade

*Assistant Examiner*—Shanda C. Hill

(74) *Attorney, Agent, or Firm*—Stetina Brunda Garred & Brucker

(57) **CLAIM**

The ornamental design for a medical dispensing container, as shown and described.

**DESCRIPTION**

FIG. 1 is front perspective view of a medical dispensing container showing my new design;

FIG. 2 is a top plan view thereof;

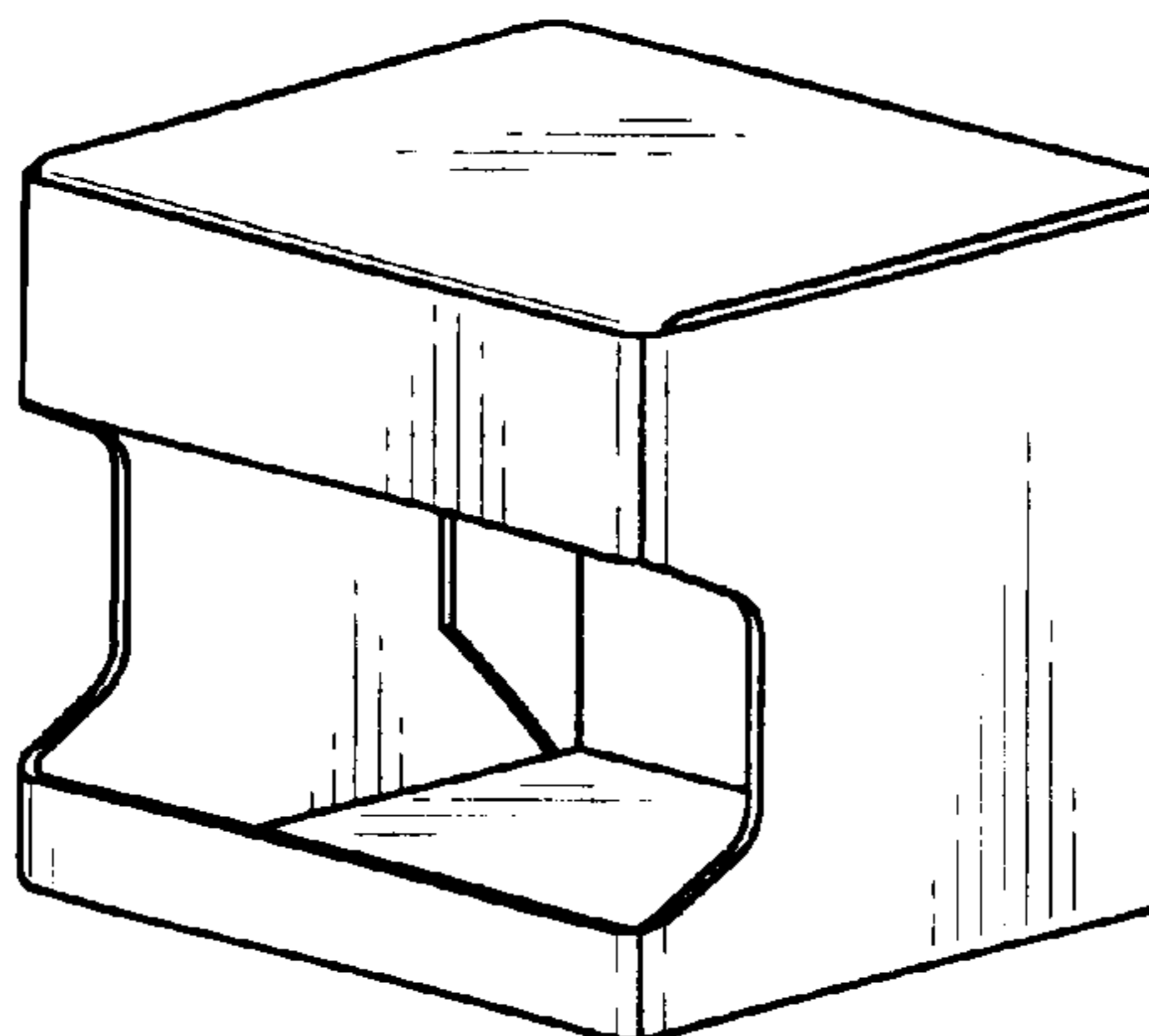
FIG. 3 is a front elevational view thereof;

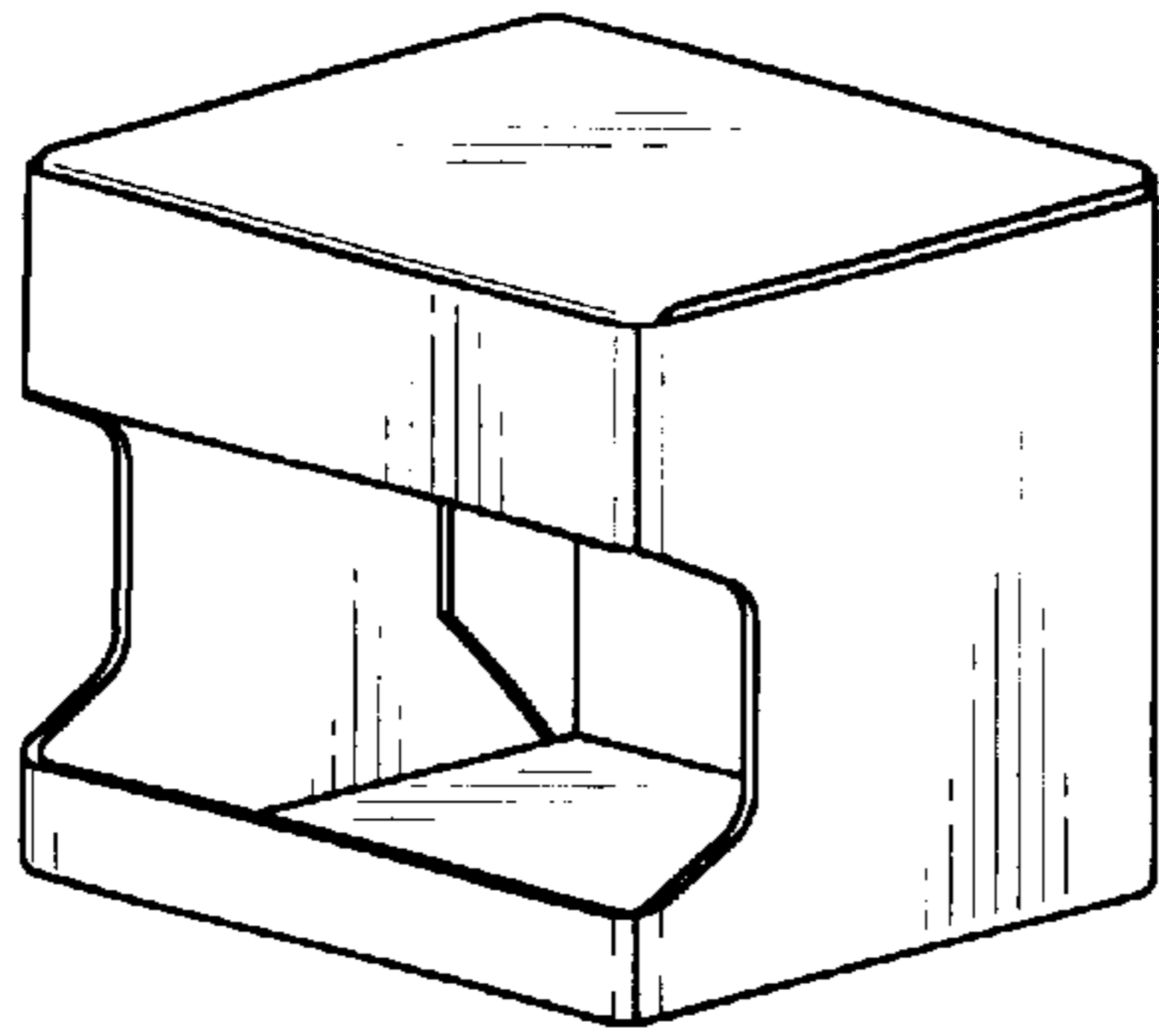
FIG. 4 is a side elevational view thereof;

FIG. 5 is a rear elevational view thereof; and,

FIG. 6 is a bottom plan view thereof.

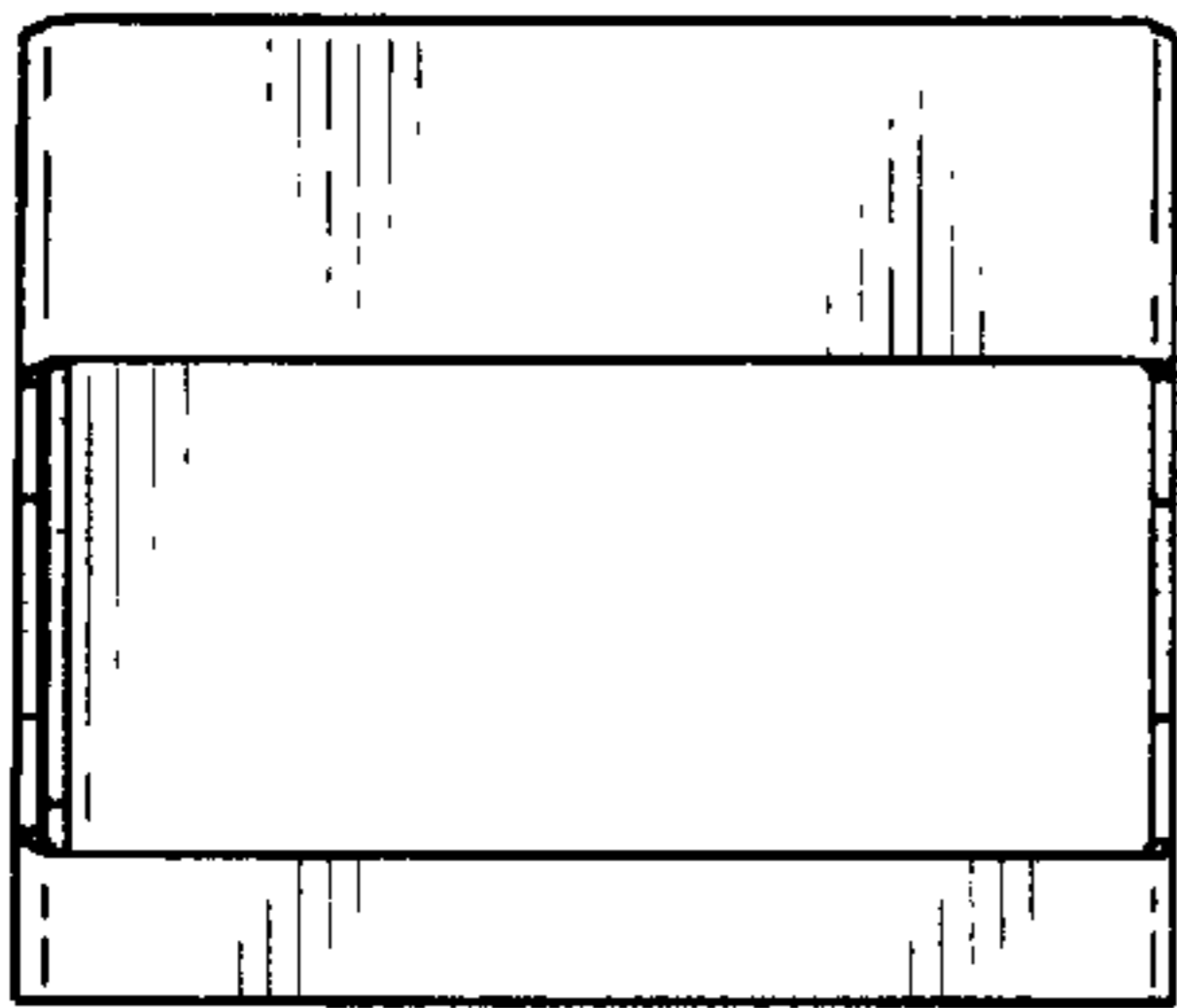
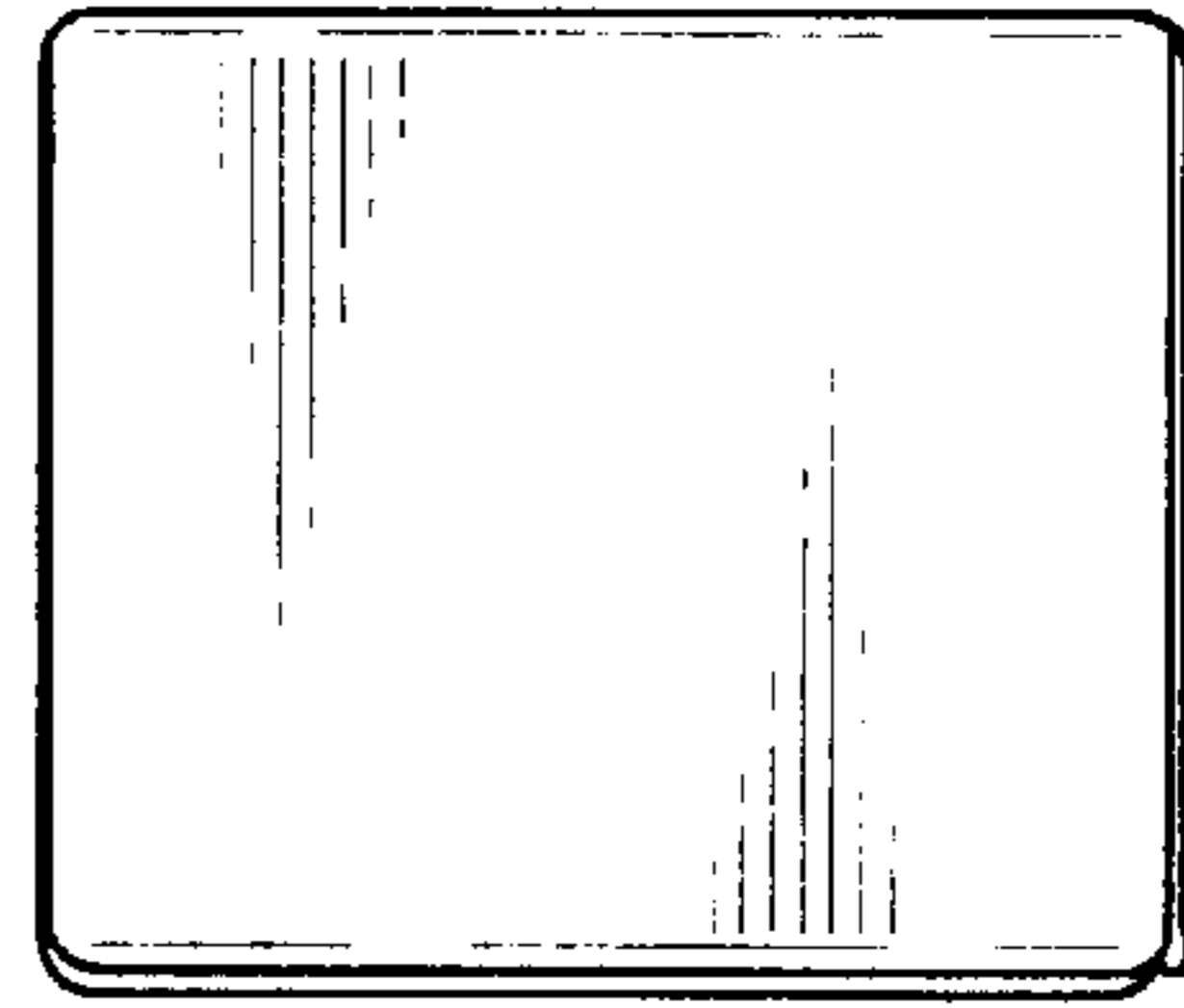
**1 Claim, 1 Drawing Sheet**



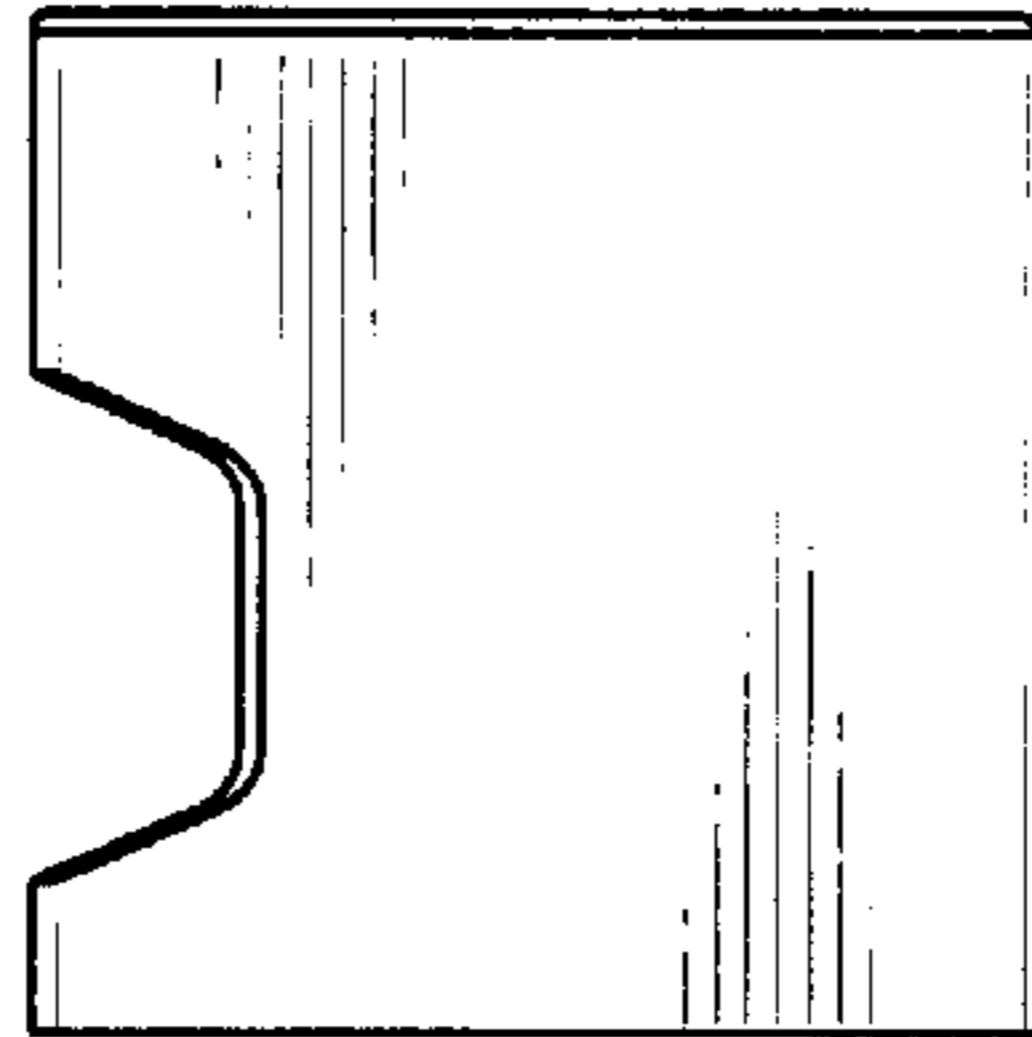


*Fig. 1*

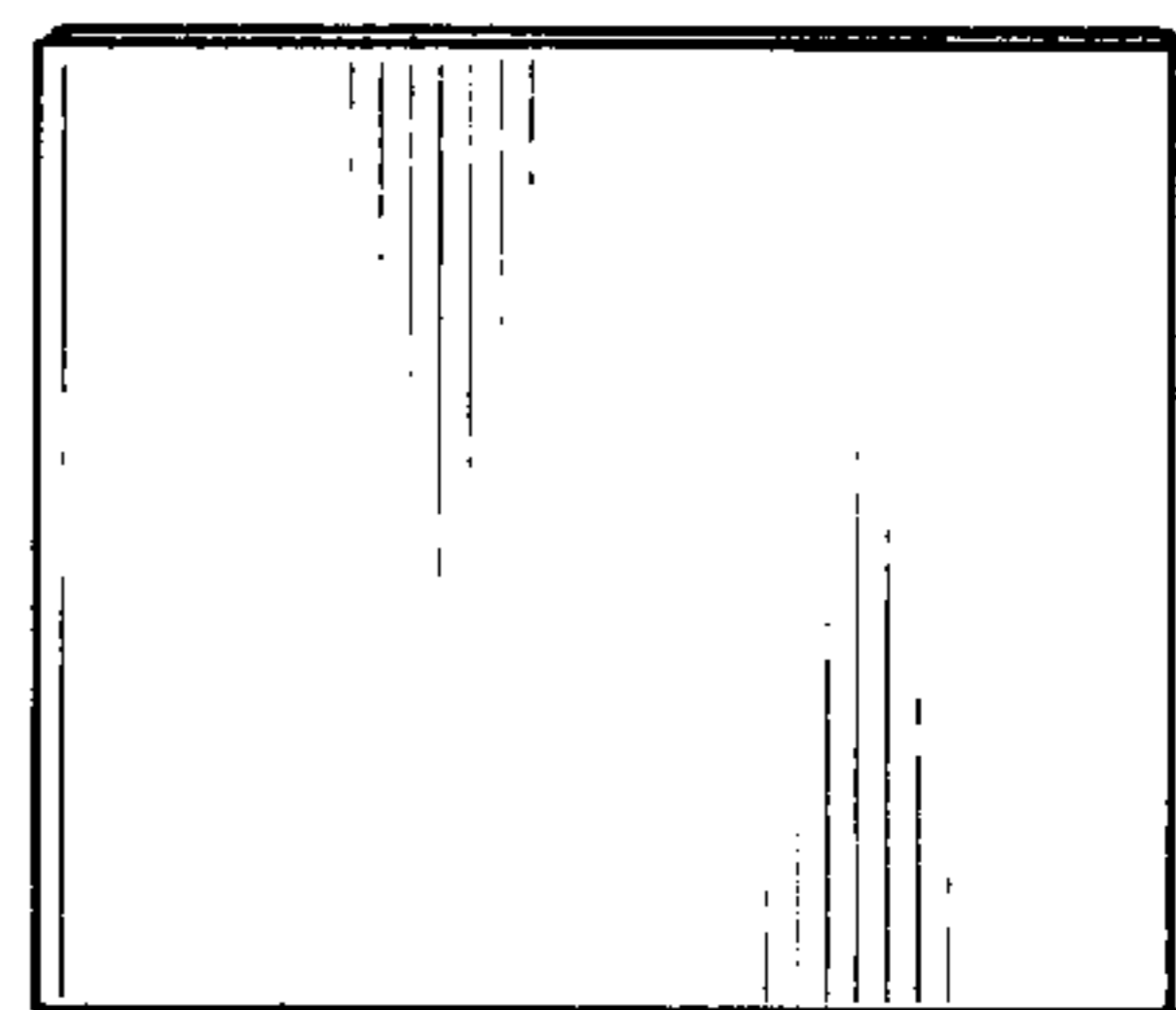
*Fig. 2*



*Fig. 3*



*Fig. 4*



*Fig. 5*

*Fig. 6*

