



US00D528431S

(12) **United States Design Patent**
Brandt et al.

(10) **Patent No.:** **US D528,431 S**

(45) **Date of Patent:** **** Sep. 19, 2006**

(54) **LABEL RECESS PORTION OF A BOTTLE**

(75) Inventors: **Richard Brandt**, New York, NY (US);
Victor Hunt, Bernardardsville, NJ
(US); **Lou Antonucci**, Butler, NJ (US);
Christopher Cook, Newfoundland, NJ
(US)

(73) Assignee: **Diageo North America, Inc.**, Norwalk,
CT (US)

(**) Term: **14 Years**

(21) Appl. No.: **29/198,237**

(22) Filed: **Jan. 28, 2004**

(51) **LOC (8) Cl.** **09-01**

(52) **U.S. Cl.** **D9/667**

(58) **Field of Classification Search** D9/600,
D9/631, 667, 682, 686, 688-691, 693, 500,
D9/502-505, 516, 529-530, 537-540, 544-545,
D9/549, 552, 556, 558, 565, 572-574; 215/382-384,
215/396, 398; 220/660, 669, 675; 222/210,
222/212-213; D7/509-512

See application file for complete search history.

(56) **References Cited**

U.S. PATENT DOCUMENTS

D14,254 S	9/1883	Heinz	
D18,997 S	4/1889	Underhill	
D20,656 S	3/1891	Dawes	
D24,333 S	5/1895	Dawes	
D32,308 S	3/1900	Sounders	
D50,341 S	2/1917	Epstein	
D74,459 S	2/1928	Suarez	
D78,351 S	* 4/1929	Grigg	D9/667
D80,868 S	* 4/1930	Gallagher	D9/667
D88,233 S	* 11/1932	Koeppen	D9/667
D127,795 S	* 6/1941	Gomez	D9/667
2,800,734 A	* 7/1957	Blackburn	40/602
D210,514 S	3/1968	Brammer	
D277,936 S	3/1985	Tobias	
D295,146 S	4/1988	Carree	
D306,260 S	2/1990	Daucourt	

D316,813 S	5/1991	Cannon	
D330,327 S	* 10/1992	Messer	D9/500
D353,998 S	* 1/1995	Kotyuk, Jr.	D9/503
D401,817 S	* 12/1998	Doret et al.	D7/600.4
D406,768 S	* 3/1999	Rykiel	D9/544 X
D414,427 S	* 9/1999	Maddy	D9/558
D430,806 S	9/2000	Di Robilant	D9/563
D434,985 S	* 12/2000	Colonna	D9/516
D456,243 S	* 4/2002	Davis	D9/667
D461,410 S	* 8/2002	Zutler	D9/500
D463,734 S	* 10/2002	Gobe	D9/691
D479,133 S	9/2003	Quintero	D9/551
D491,066 S	* 6/2004	Le Goff	D9/500
D503,619 S	* 4/2005	Jackson et al.	D9/500
D508,856 S	* 8/2005	Boon et al.	D9/545
D509,433 S	* 9/2005	Trayser et al.	D9/501

FOREIGN PATENT DOCUMENTS

EM 000319397-0001 * 3/2005

* cited by examiner

Primary Examiner—Carol Rademaker

(74) *Attorney, Agent, or Firm*—Morgan, Lewis & Bockius
LLP

(57) **CLAIM**

The ornamental design for a label recess portion of a bottle,
as shown and described.

DESCRIPTION

FIG. 1 is a perspective view of a label recess portion of a
bottle according to our new design;
FIG. 2 is a front elevation view thereof;
FIG. 3 is a left side elevation view thereof, the right side
elevation view being a mirror image;
FIG. 4 is a back elevation view thereof;
FIG. 5 is a top plan view thereof;
FIG. 6 is a bottom plan view thereof; and,
FIG. 7 is a cross-section view taken along line 7—7 as
shown in FIG. 2, shown at an enlarged scale.
The broken lines shown in the drawings are for environ-
mental purposes only and form no part of the claimed
design.

1 Claim, 3 Drawing Sheets

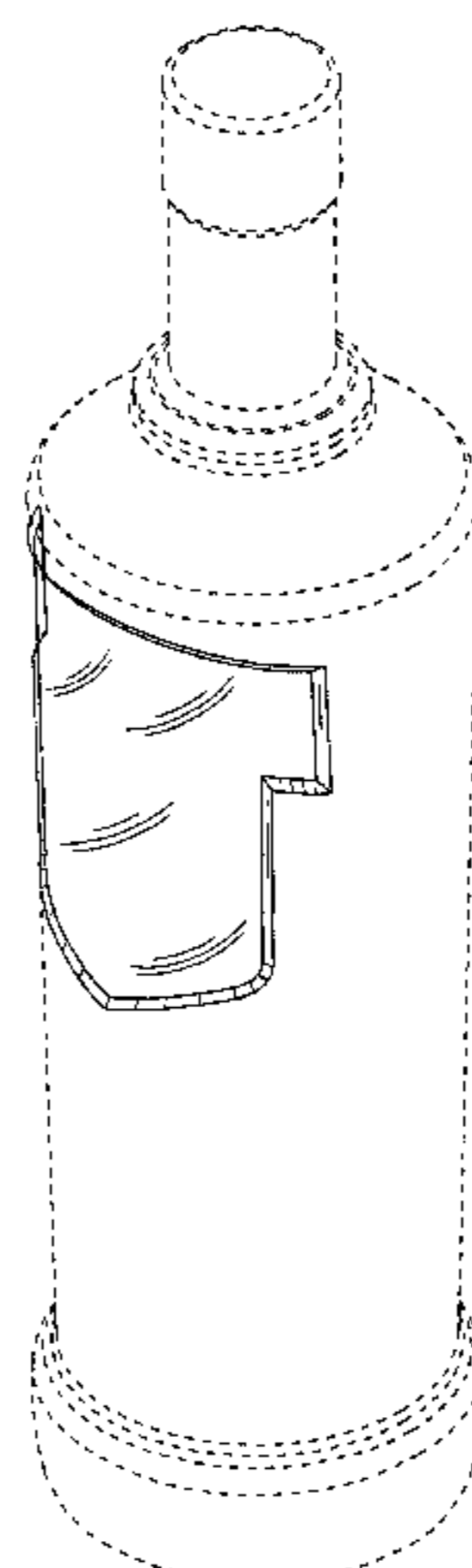


FIG. 1

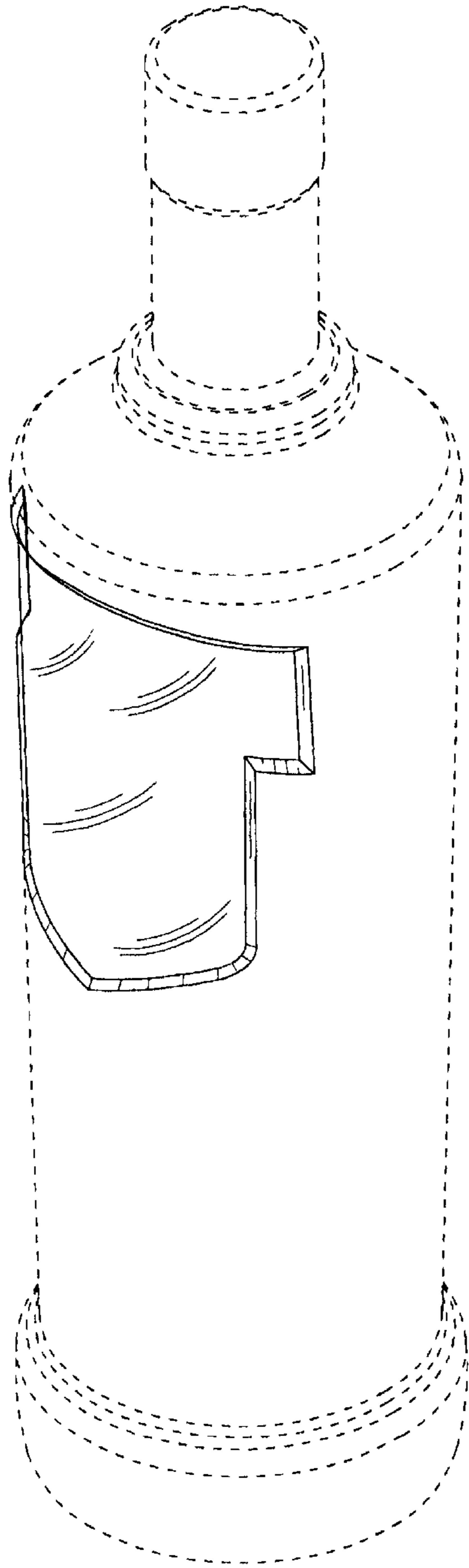
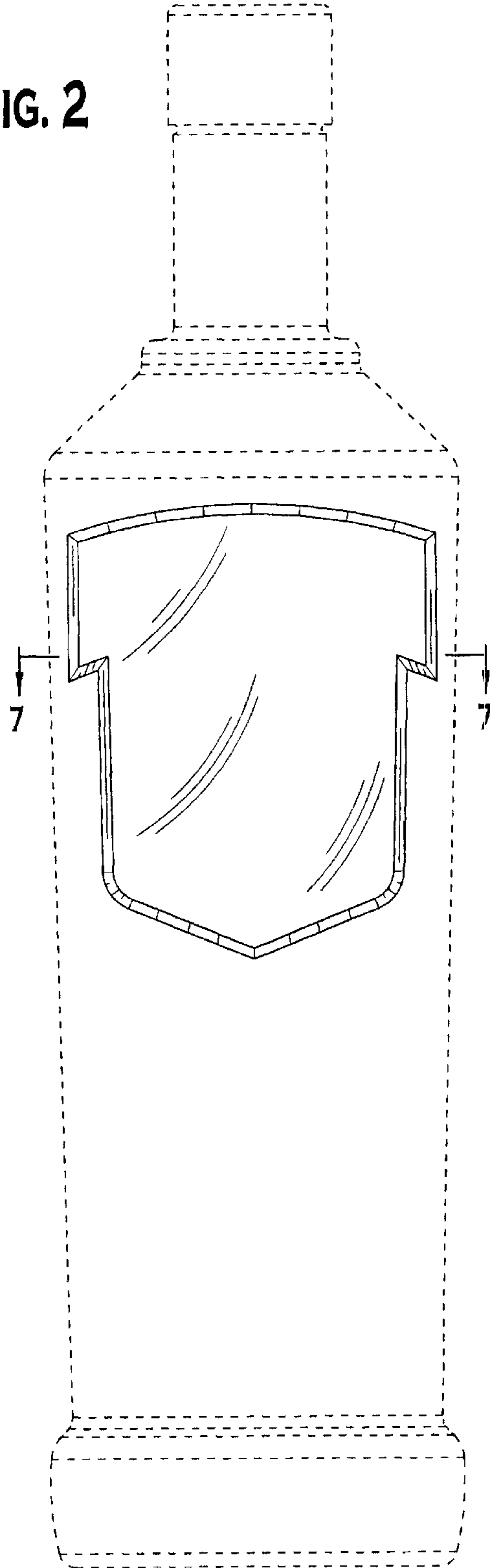


FIG. 2



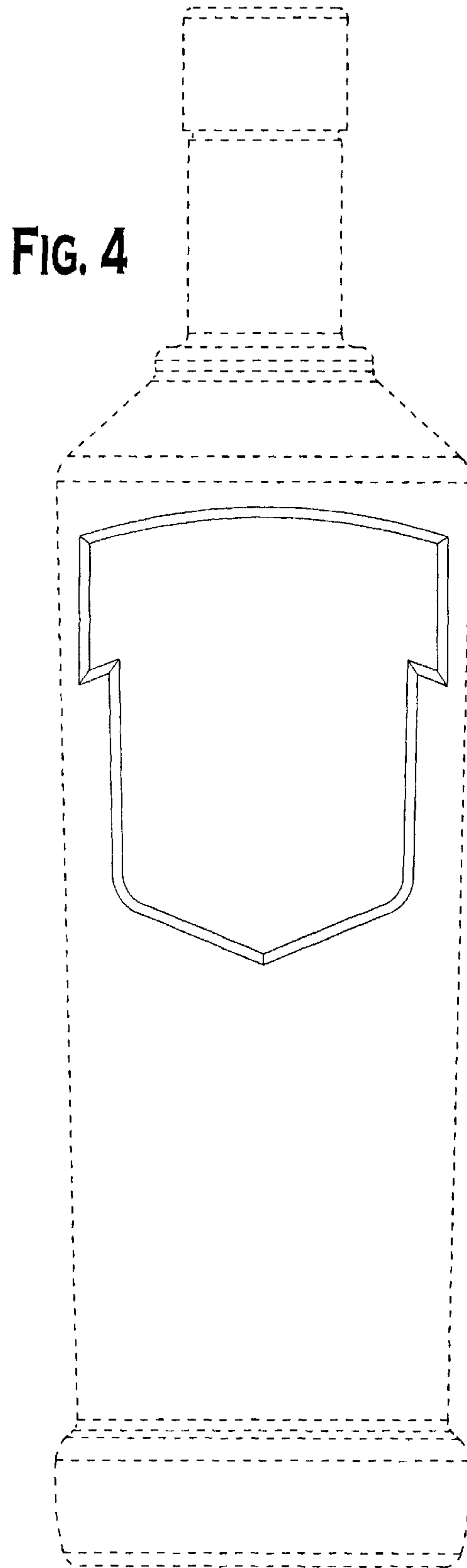
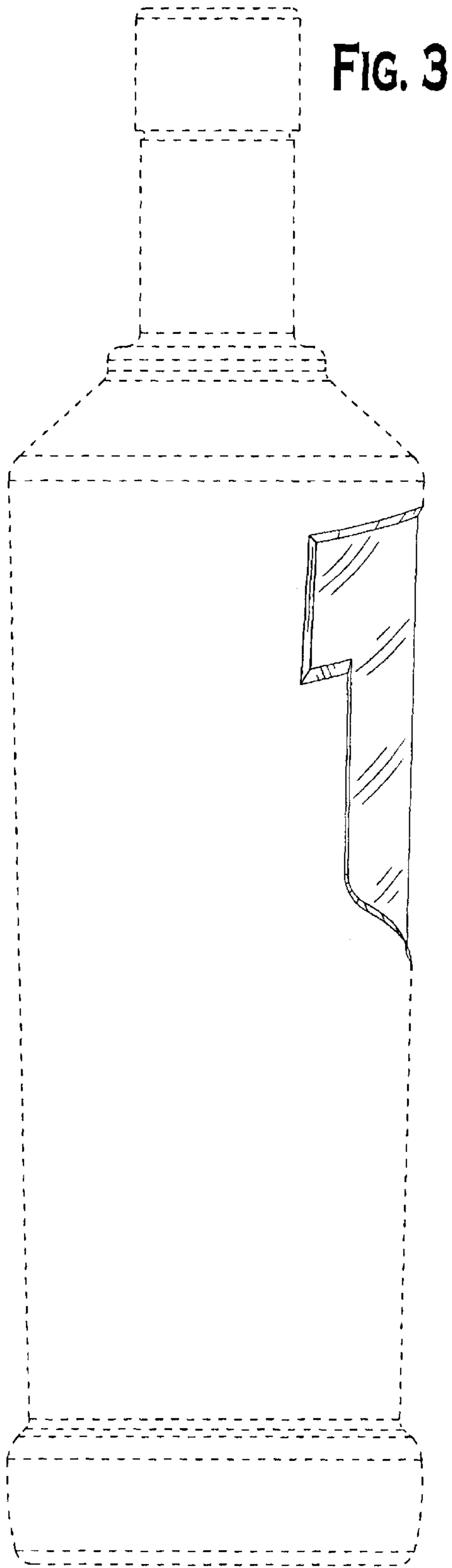


FIG. 5

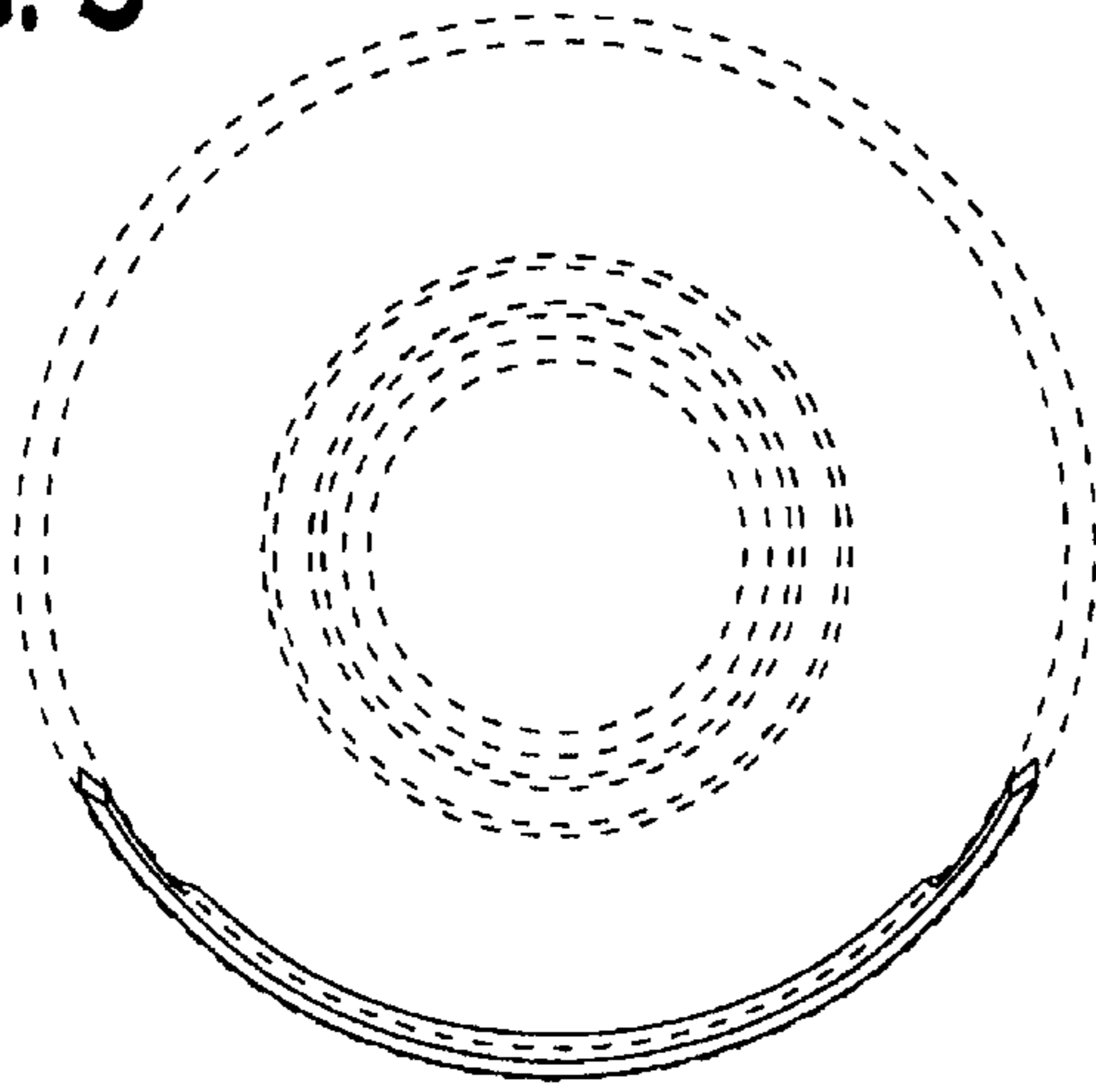


FIG. 6

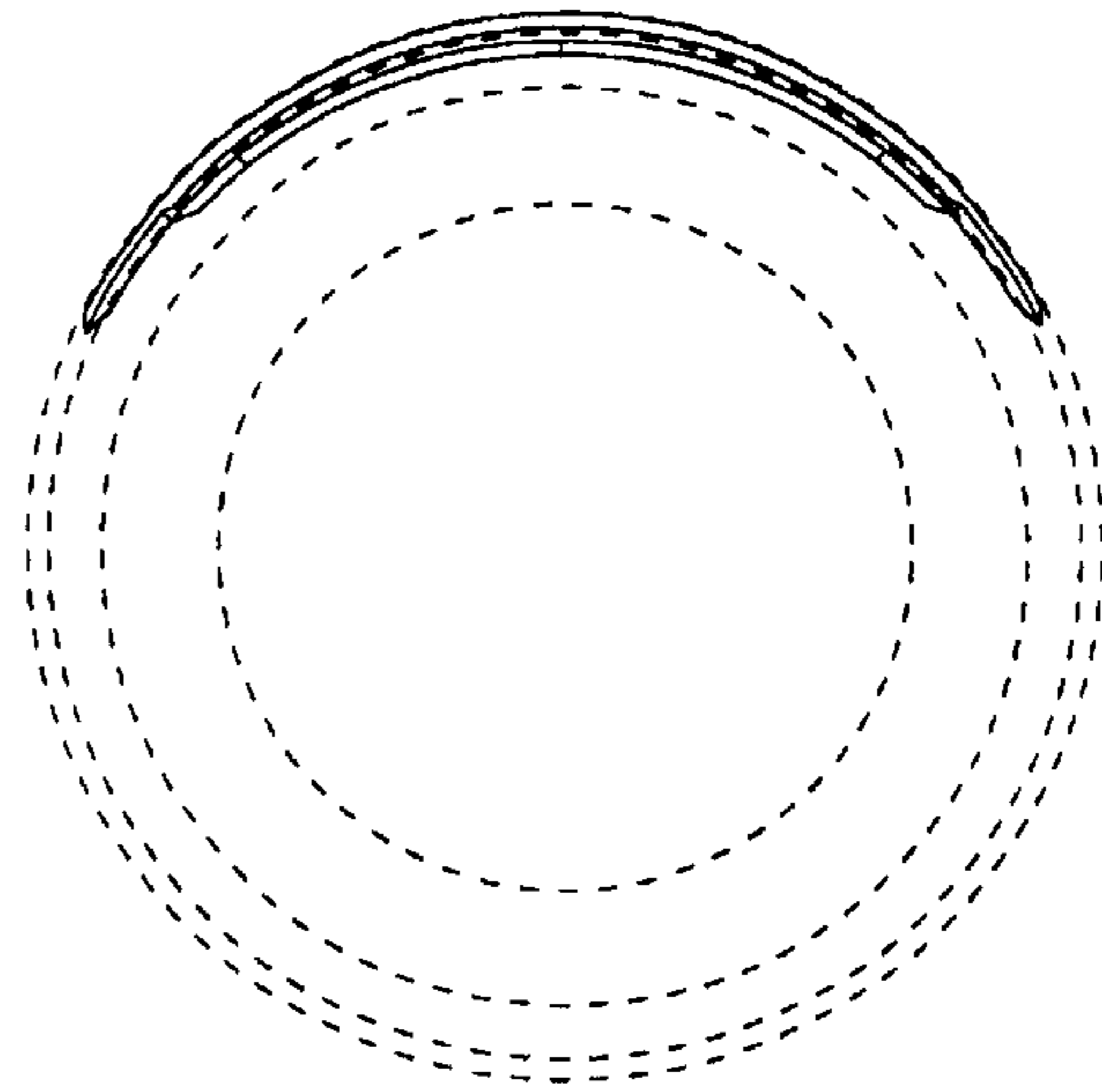


FIG. 7

