



US00D528425S

(12) **United States Design Patent**
Van Dorin et al.

(10) **Patent No.:** **US D528,425 S**

(45) **Date of Patent:** **** Sep. 19, 2006**

(54) **RESIN CONTAINER**

(75) Inventors: **Stacie L. Van Dorin**, Saugus, CA (US);
Gary L. Reynolds, Santa Clarita, CA
(US)

(73) Assignee: **3D Systems, Inc.**, Valencia, CA (US)

(**) Term: **14 Years**

(21) Appl. No.: **29/236,823**

(22) Filed: **Aug. 23, 2005**

(51) **LOC (8) Cl.** **09-01**

(52) **U.S. Cl.** **D9/527; D9/524**

(58) **Field of Classification Search** D9/516,
D9/523, 524, 526-531, 543, 563, 572, 574;
D7/300, 306, 319, 321, 322; 215/1 A, 1 C,
215/1 R, 382-385, 396, 398; 220/771, 772;
222/454, 475; 206/527, 822

See application file for complete search history.

(56) **References Cited**

U.S. PATENT DOCUMENTS

D205,166 S * 6/1966 Price D9/527
D224,639 S * 8/1972 Schieser D9/527
D227,345 S * 6/1973 Rowayton et al. D9/527
D358,097 S * 5/1995 Leibowitz D9/527

D358,548 S * 5/1995 Platte D9/527
5,884,802 A * 3/1999 Leibowitz 220/771
D485,189 S * 1/2004 Montalbano et al. D9/528
D504,824 S * 5/2005 Darr et al. D9/528

* cited by examiner

Primary Examiner—Mitchell Siegel

Assistant Examiner—Shanda C. Hill

(74) *Attorney, Agent, or Firm*—Ralph D'Alessandro

(57) **CLAIM**

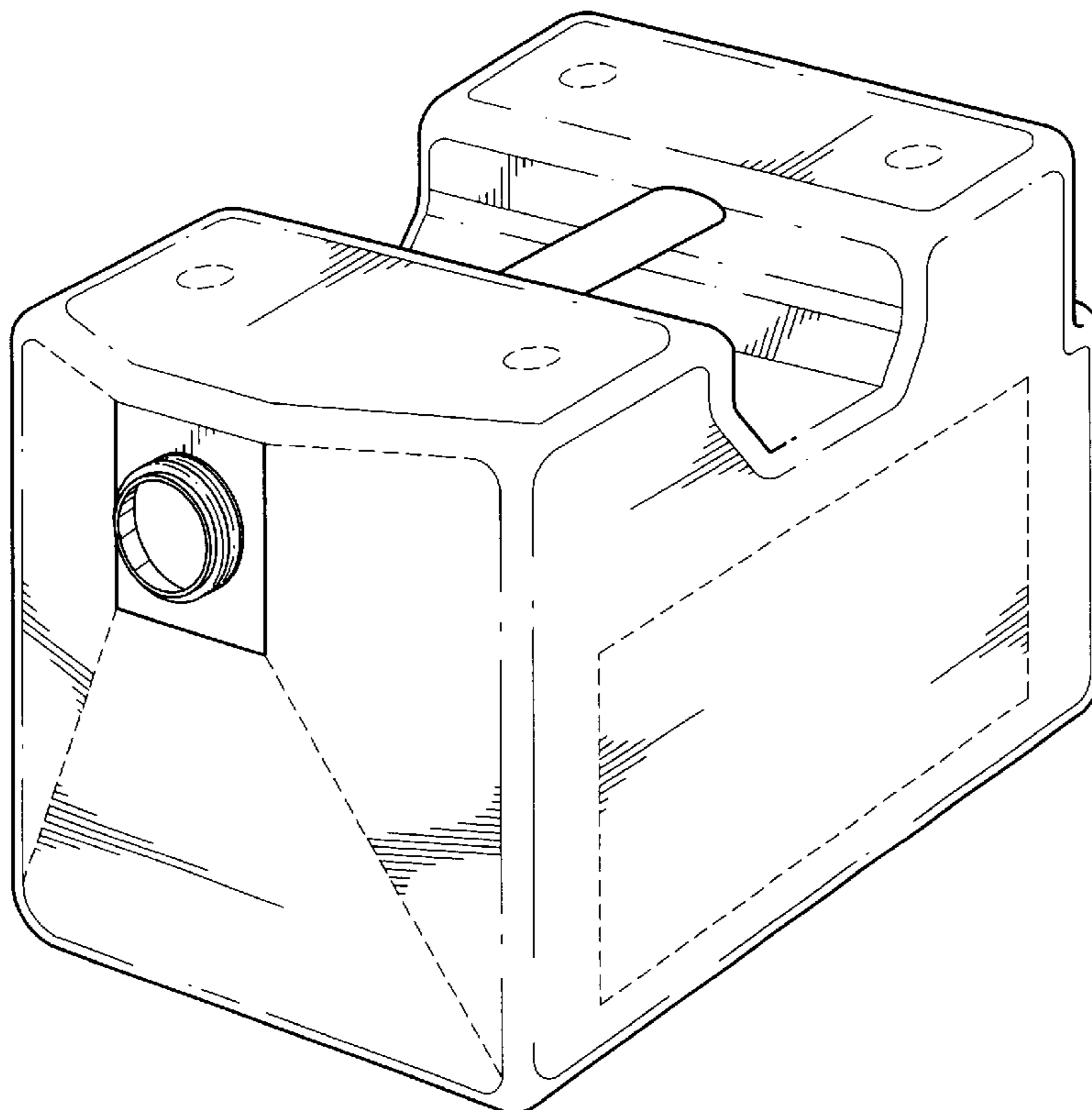
The ornamental design for a resin container, as shown and described.

DESCRIPTION

FIG. 1 is a front, top, side perspective view of a resin container showing our new design; FIG. 2 is a side elevational view thereof; FIG. 3 is a side elevational view opposite FIG. 2; FIG. 4 is a top plan view thereof; FIG. 5 is a bottom plan view thereof; FIG. 6 is front elevational view thereof; and, FIG. 7 is a rear elevational view thereof.

The broken lines shown in the drawing disclosure are for illustrative purposes only and form no part of the claimed design.

1 Claim, 4 Drawing Sheets



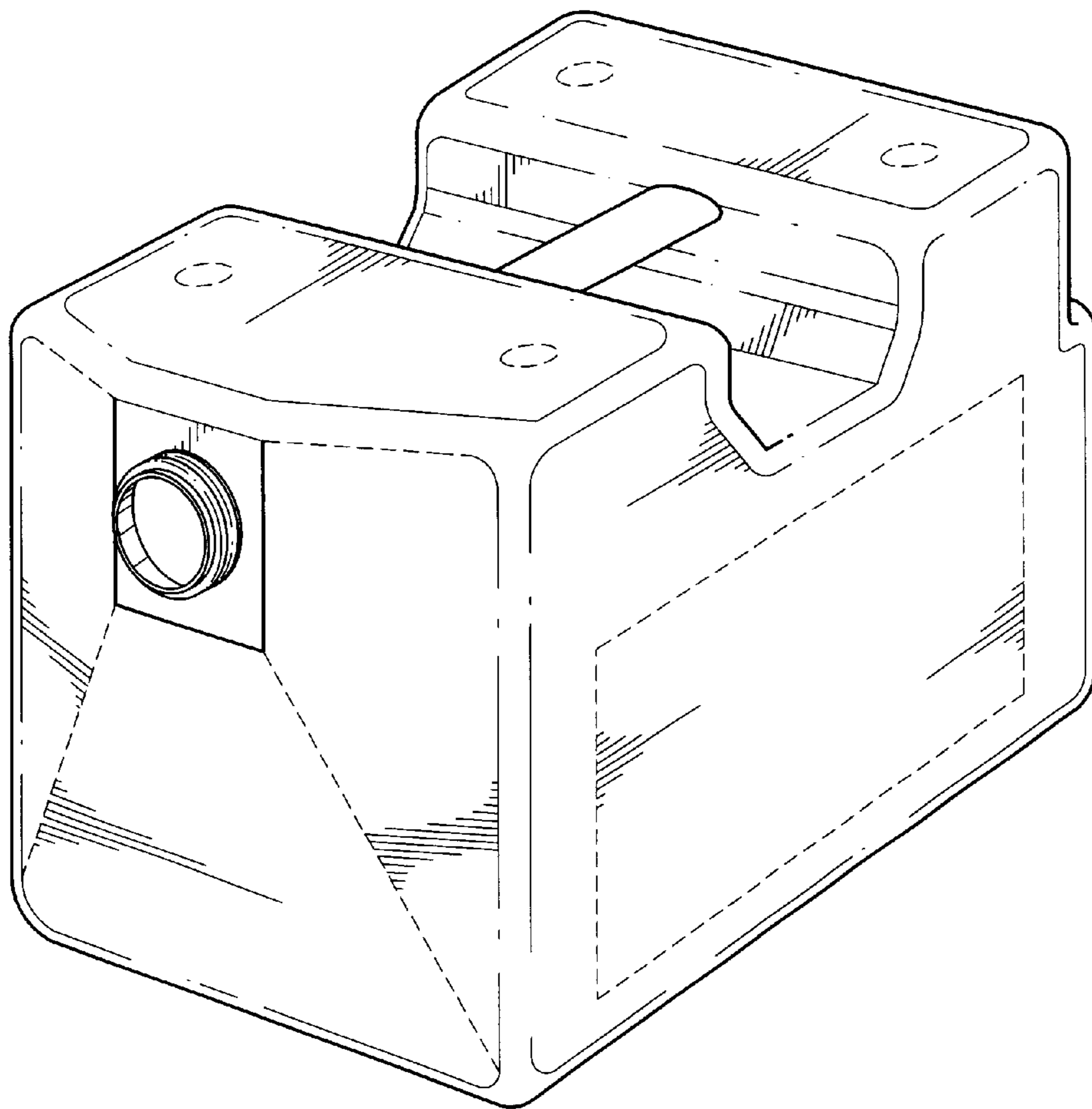


FIG. 1

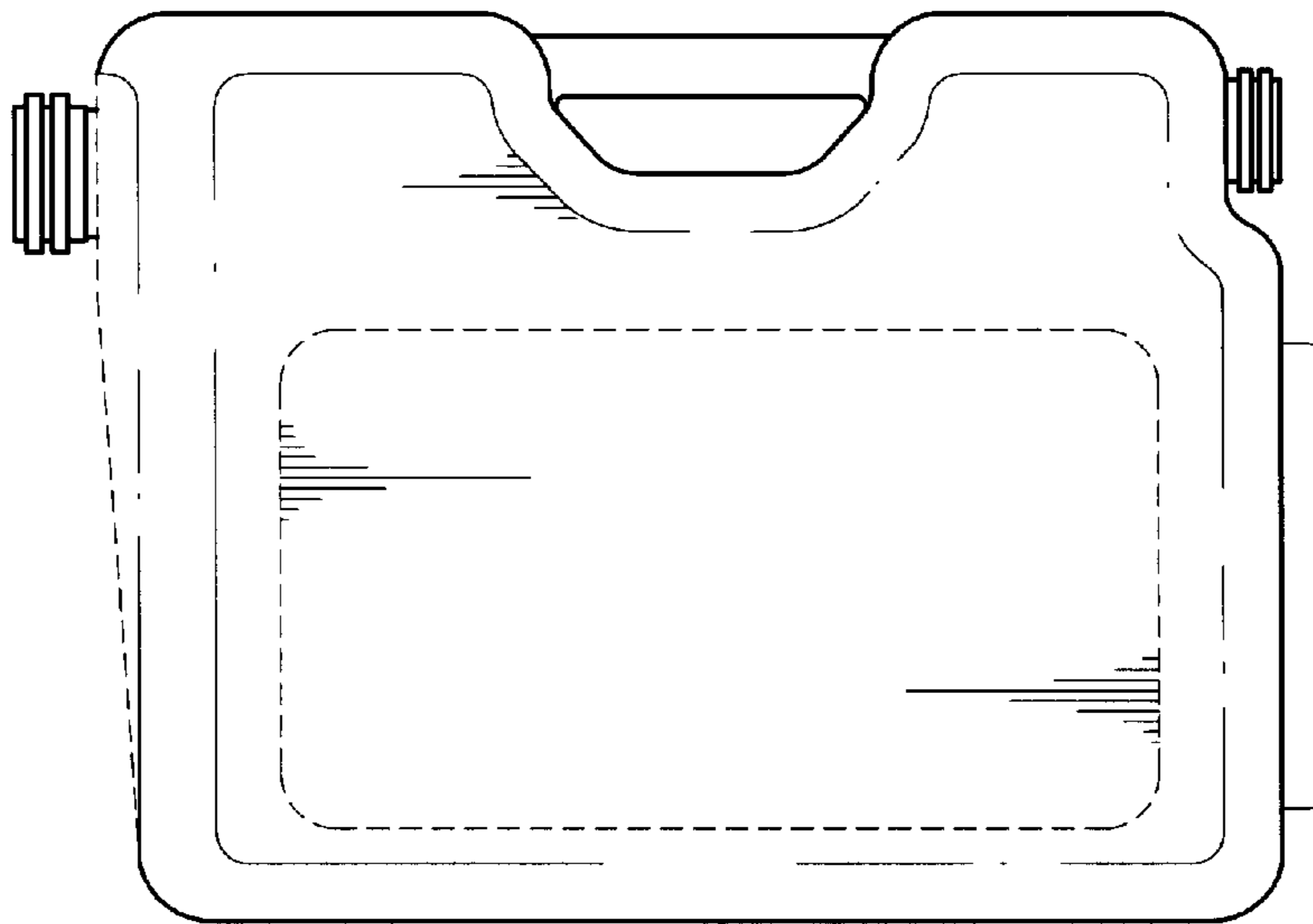


FIG. 2

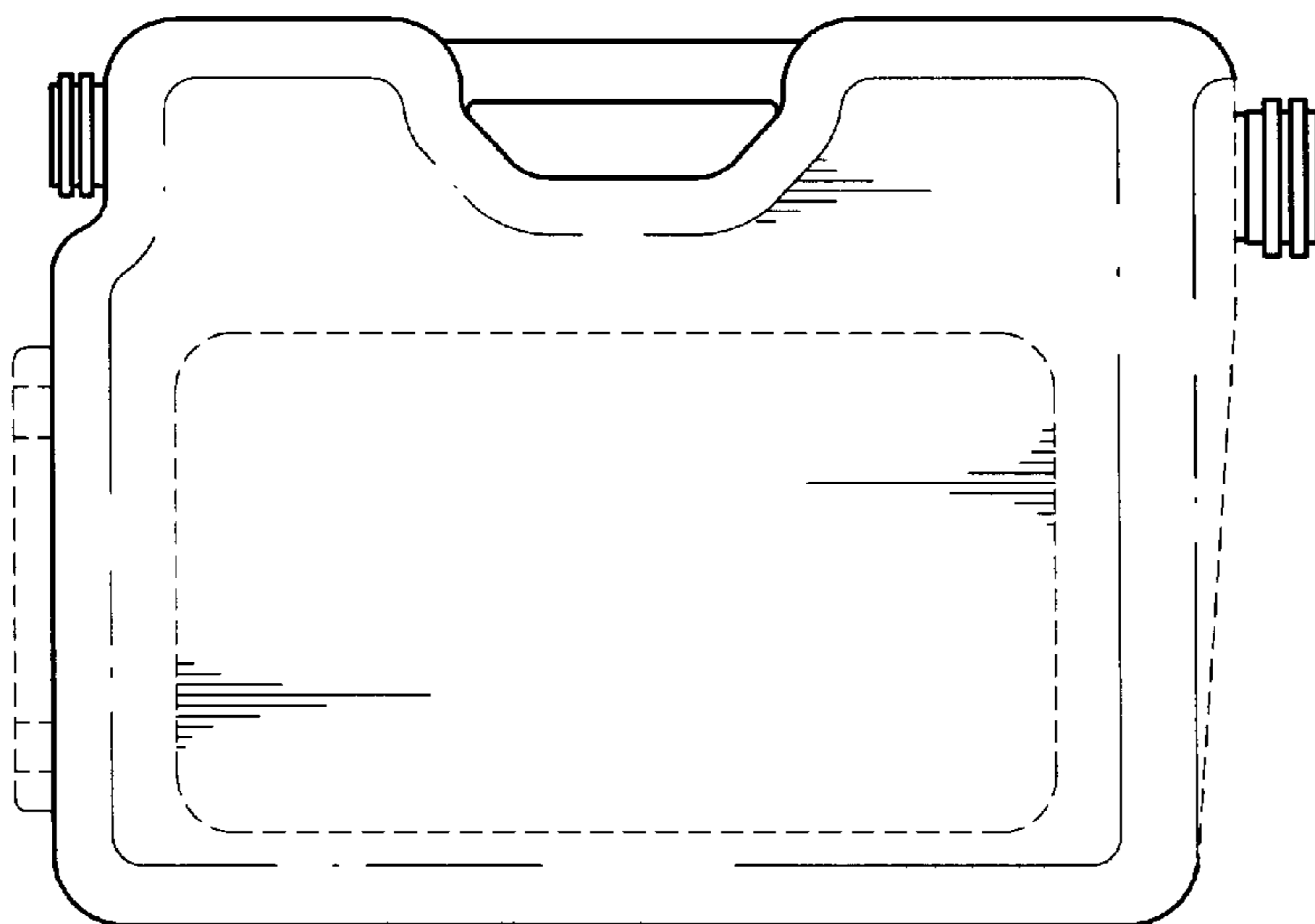


FIG. 3

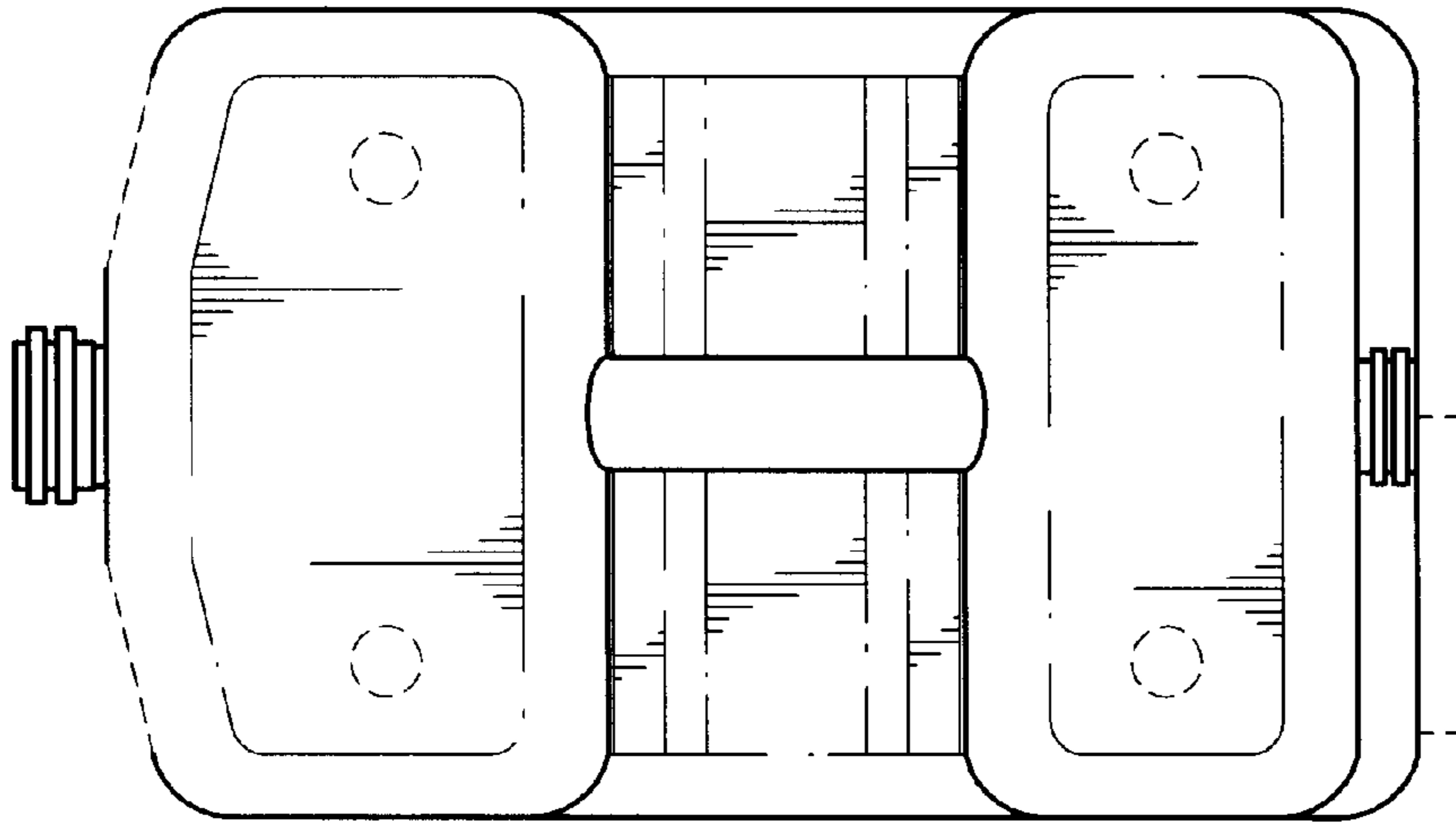


FIG. 4

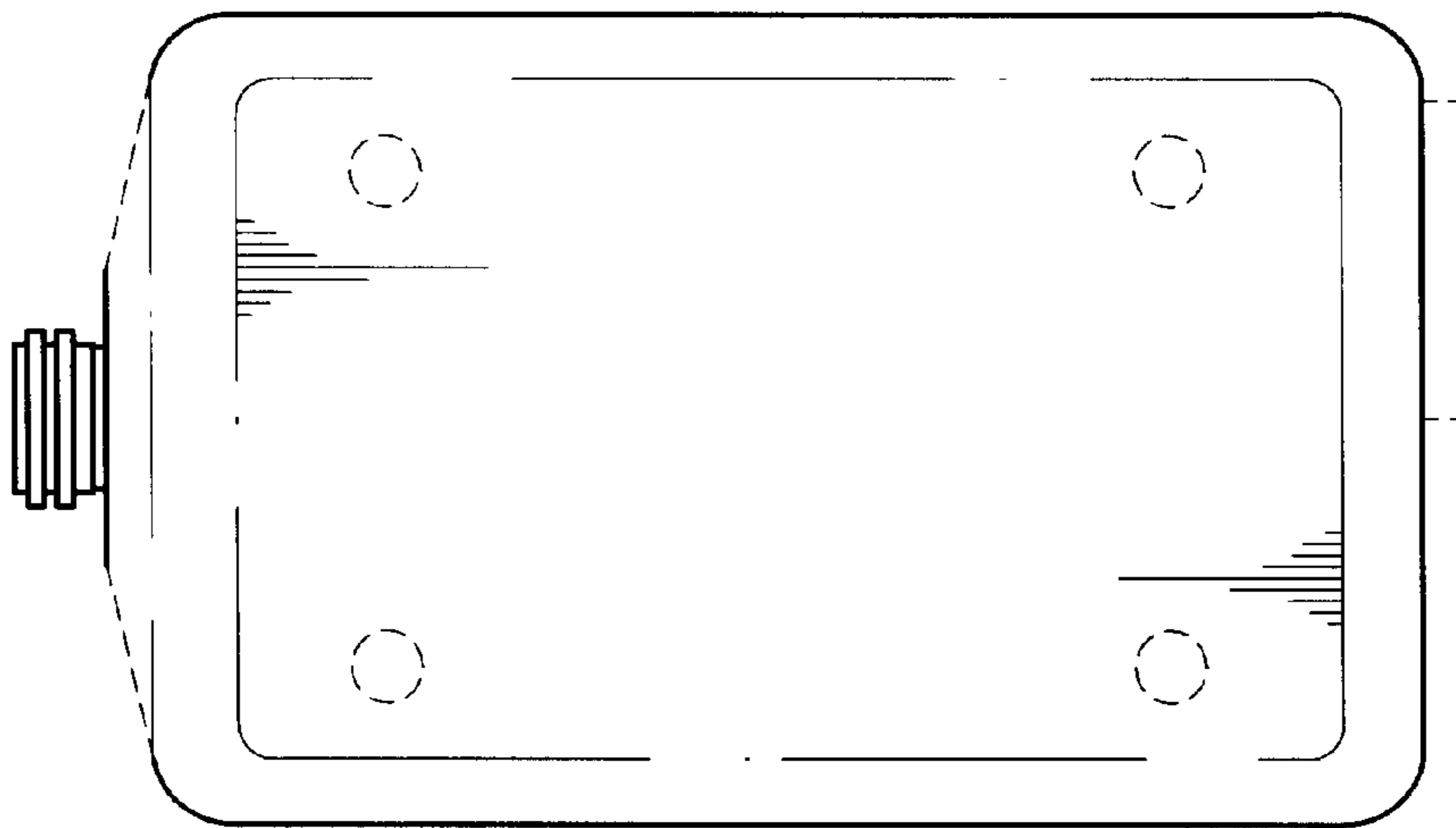


FIG. 5

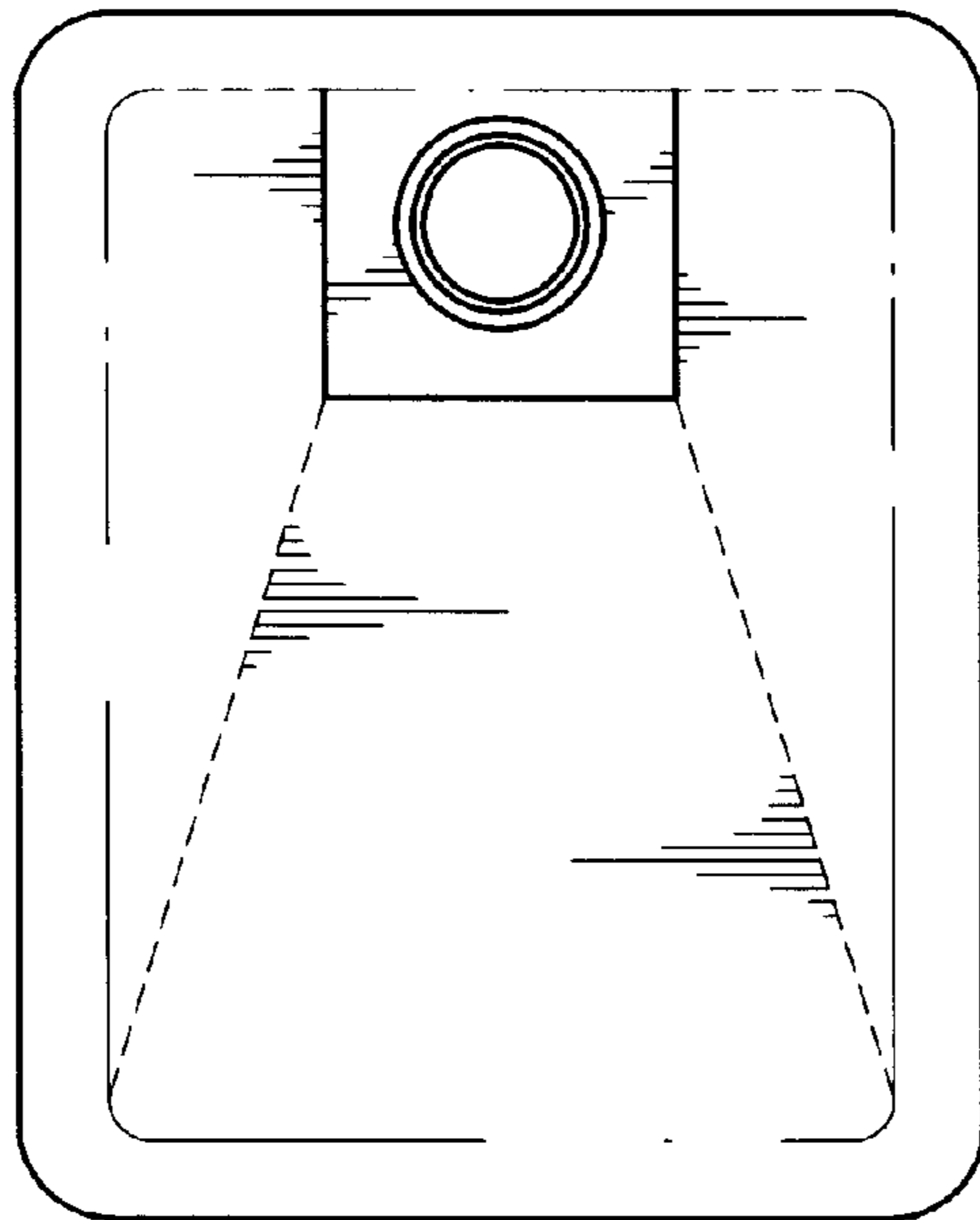


FIG. 6

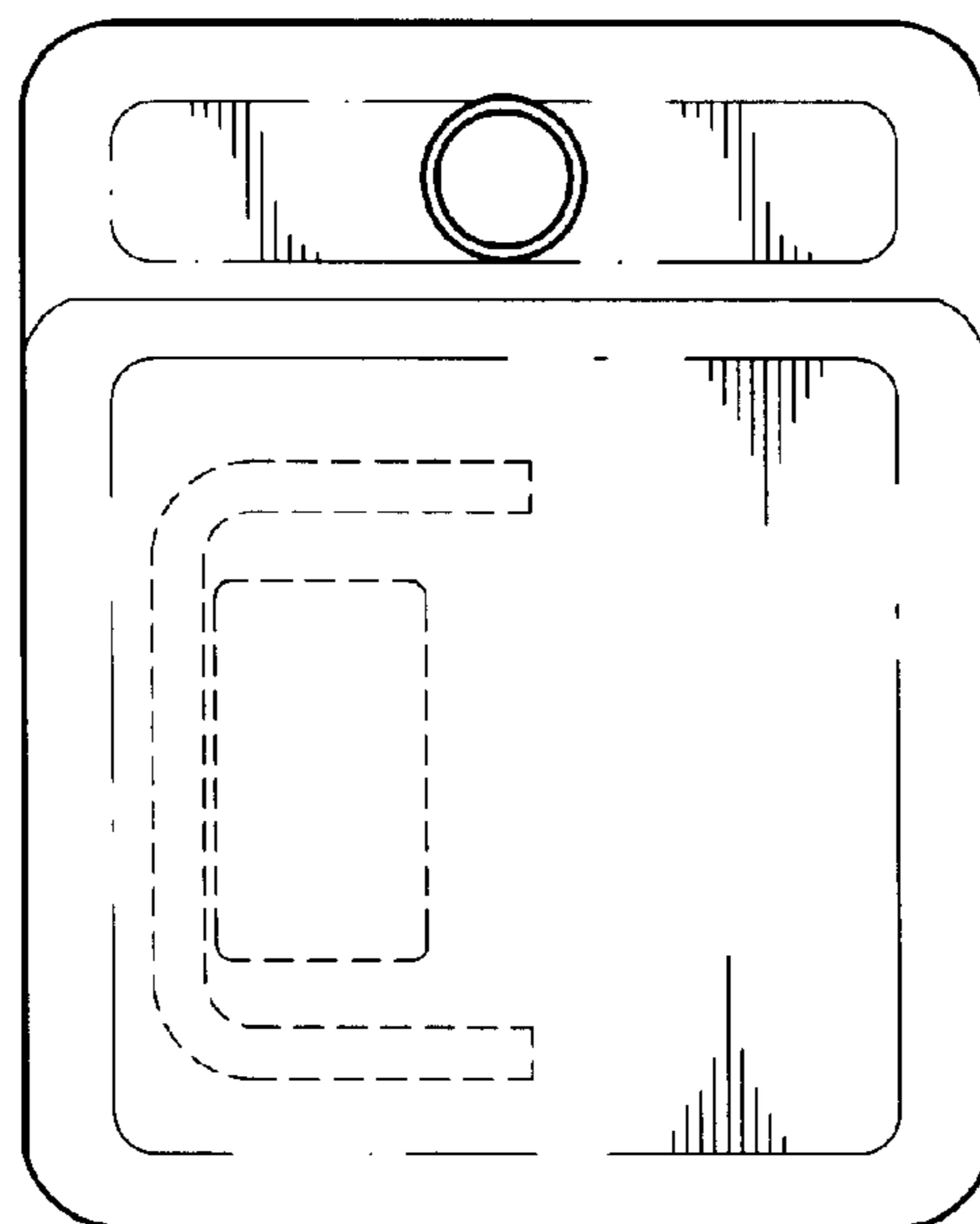


FIG. 7