



US00D528423S

(12) **United States Design Patent**  
**Glover**

(10) **Patent No.:** **US D528,423 S**

(45) **Date of Patent:** **\*\* Sep. 19, 2006**

(54) **GASOLINE CAN HAVING AN INTEGRAL SPOUT**

(76) **Inventor:** **George Glover**, 26451 1400 Ave.  
North, Princeton, IL (US) 61356

(\*\*) **Term:** **14 Years**

(21) **Appl. No.:** **29/209,834**

(22) **Filed:** **Jul. 22, 2004**

**Related U.S. Application Data**

(63) Continuation-in-part of application No. 29/188,972, filed on Aug. 26, 2003, now Pat. No. Des. 497,313.

(51) **LOC (8) Cl.** ..... **09-01**

(52) **U.S. Cl.** ..... **D9/524**

(58) **Field of Classification Search** ..... D9/516,  
D9/523-528, 530, 531, 533, 543, 575; 215/379-385,  
215/396, 400; 220/675

See application file for complete search history.

(56) **References Cited**

**U.S. PATENT DOCUMENTS**

D213,949 S \* 4/1969 Lenhart ..... D9/520

4,819,833 A \* 4/1989 Huddleston et al. .... 220/502

D326,050 S \* 5/1992 Stockstill ..... D9/533

5,295,610 A \* 3/1994 Levison ..... D9/527

D358,330 S \* 5/1995 Kahl ..... D9/527

D365,520 S \* 12/1995 Luther ..... D9/528

\* cited by examiner

*Primary Examiner*—Nanda Bondade

*Assistant Examiner*—Shanda C. Hill

(74) *Attorney, Agent, or Firm*—Husch & Eppenberger LLC

(57) **CLAIM**

The ornamental design for a gasoline can having an integral spout, as shown and described.

**DESCRIPTION**

FIG. 1 is a perspective view of a gasoline can having an integral spout showing my new design;

FIG. 2 is a front elevational view thereof; and,

FIG. 3 is a cross-sectional view thereof, taken along line 3—3 of FIG. 1.

**1 Claim, 3 Drawing Sheets**

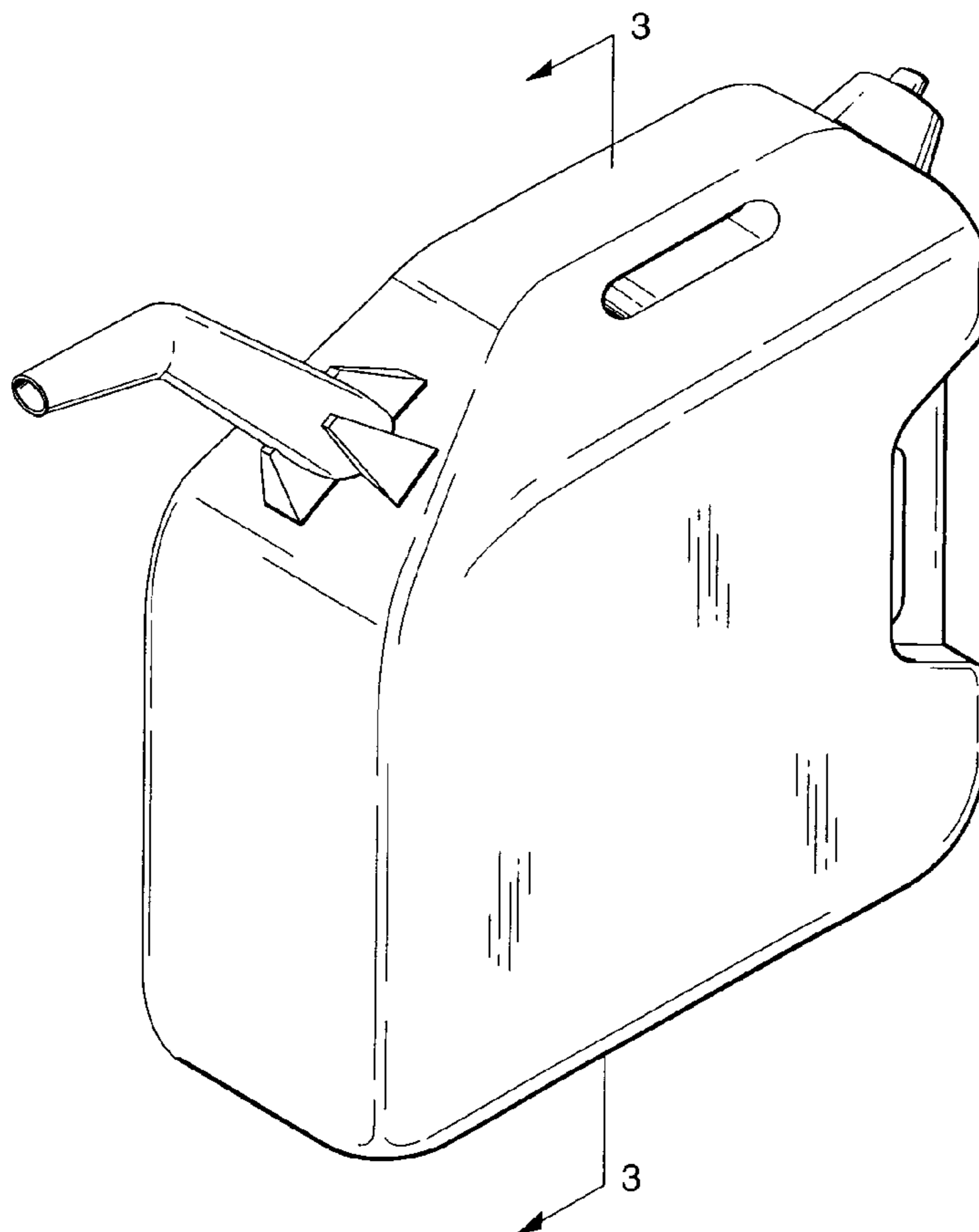


FIG. 1

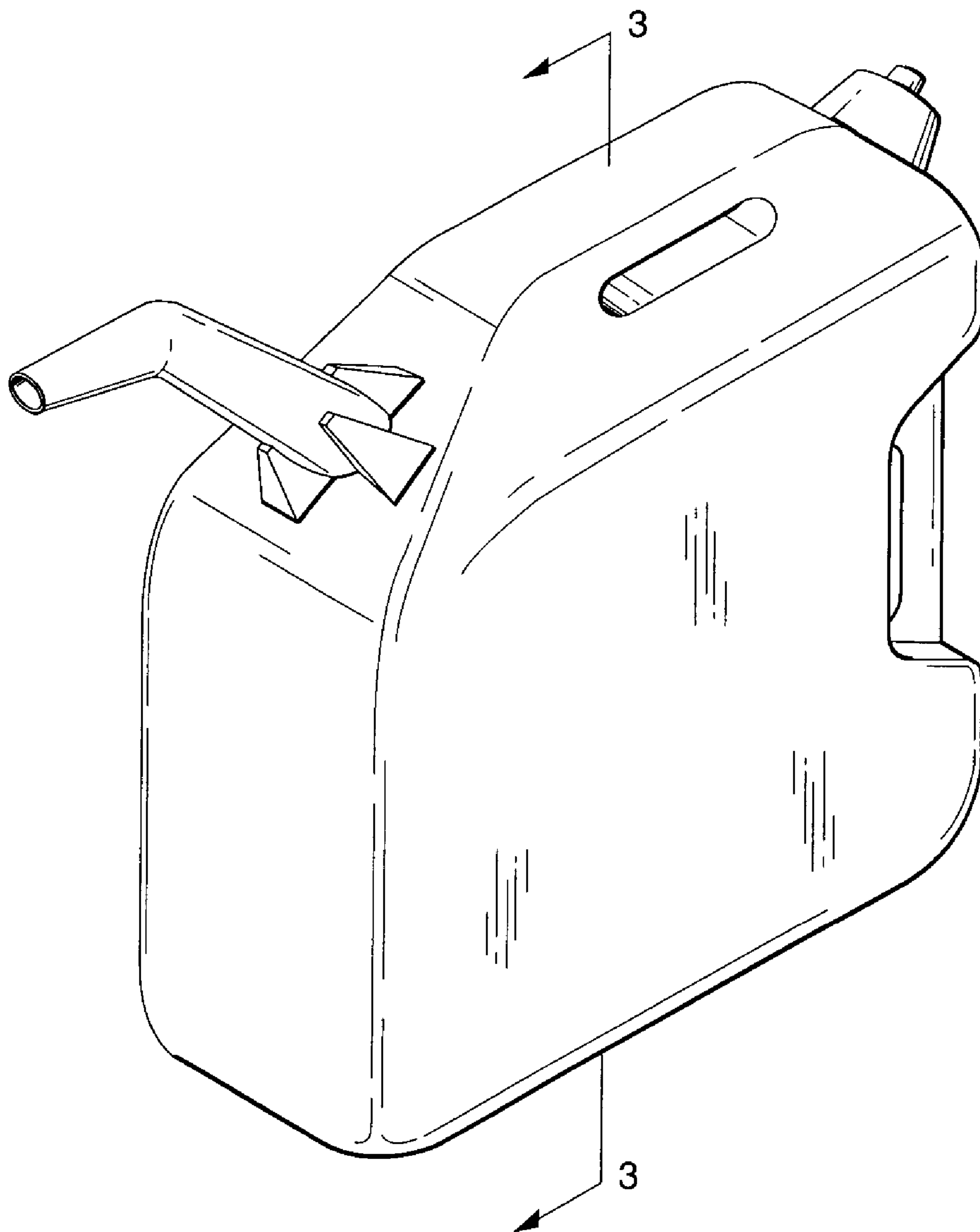


FIG. 2.

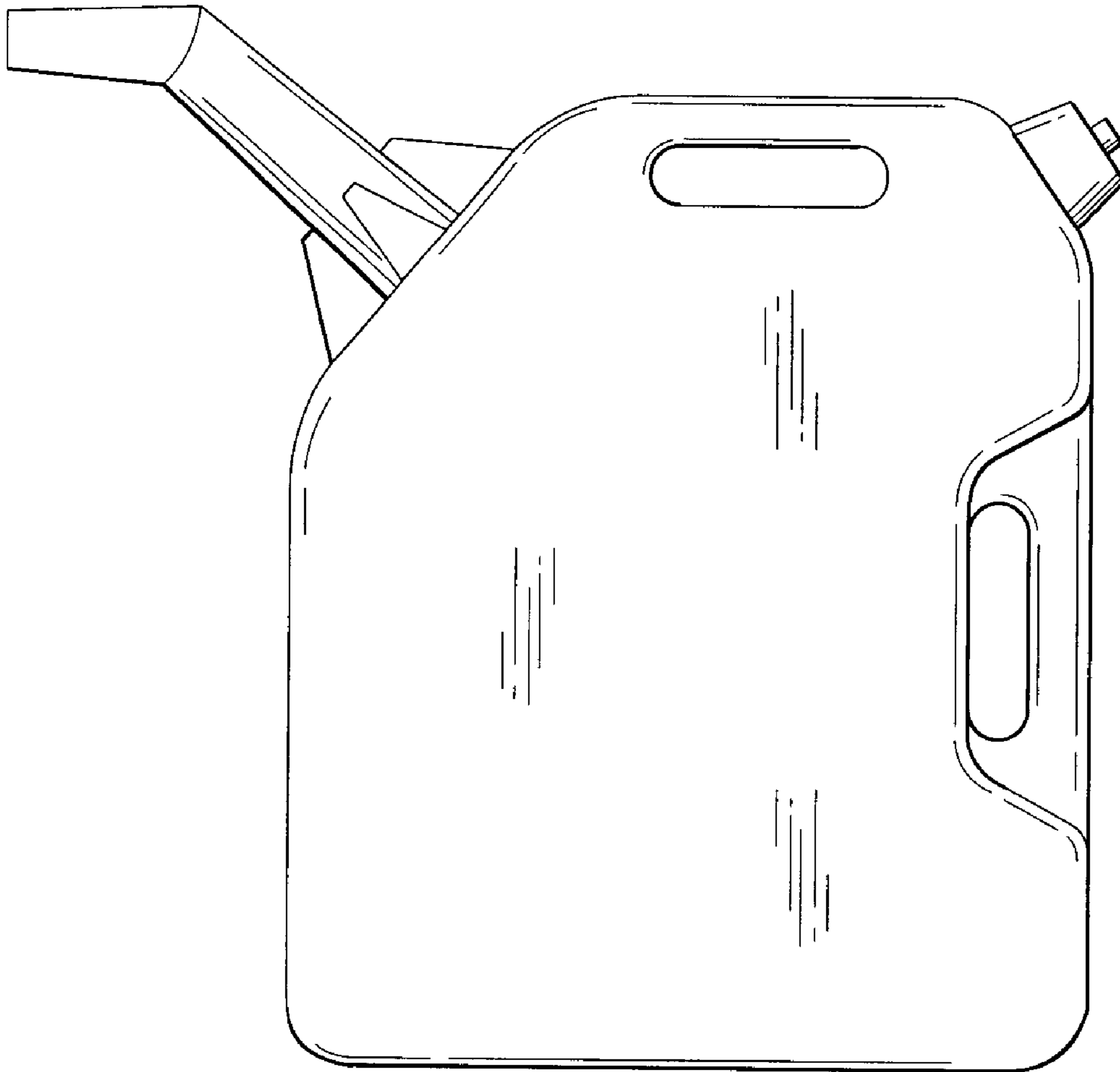


FIG. 3.

