

US00D528419S

(12) **United States Design Patent**
Robinson

(10) **Patent No.:** **US D528,419 S**

(45) **Date of Patent:** **** Sep. 19, 2006**

(54) **CLOSURE**

(75) Inventor: **Philip J. Robinson**, Sylvania, OH (US)

(73) Assignee: **Owens-Illinois Closure Inc.**, Toledo, OH (US)

(**) Term: **14 Years**

(21) Appl. No.: **29/195,355**

(22) Filed: **Dec. 9, 2003**

(51) **LOC (8) Cl.** **09-07**

(52) **U.S. Cl.** **D9/454**

(58) **Field of Classification Search** D9/503,
D9/504, 516, 529, 571, 443, 444, 445, 446,
D9/449, 454; 215/228; 220/915, 726
See application file for complete search history.

(56) **References Cited**

U.S. PATENT DOCUMENTS

D197,926 S	*	4/1964	Stull	D9/446
D236,919 S	*	9/1975	McPhee	D24/117
3,941,268 A		3/1976	Owens et al.		
4,138,028 A		2/1979	Price et al.		
D254,480 S	*	3/1980	Smalley	D9/454
4,345,690 A	*	8/1982	Hopley	215/216
D279,650 S	*	7/1985	Aldrich, III et al.	D9/529
4,723,669 A	*	2/1988	Barriac	215/206
4,948,002 A		8/1990	Thornock et al.		
D330,677 S	*	11/1992	Thornock et al.	D9/558
D346,115 S	*	4/1994	Meisner et al.	D9/529
D360,134 S	*	7/1995	Snyder	D9/443 X

5,687,863 A		11/1997	Kusz		
D399,743 S	*	10/1998	Coon et al.	D9/443
D404,303 S	*	1/1999	Webster	D9/443
5,915,576 A		6/1999	Robinson		
D426,159 S	*	6/2000	Briere et al.	D9/453
D476,563 S	*	7/2003	Brozell et al.	D9/435
D481,948 S	*	11/2003	Brozell et al.	D9/453
D490,709 S	*	6/2004	Bezek	D9/444
7,000,789 B1	*	2/2006	Miceli et al.	215/228

FOREIGN PATENT DOCUMENTS

GB 2045919 * 1/1996

* cited by examiner

Primary Examiner—Carol Rademaker

(57) **CLAIM**

The ornamental design for a closure, as shown and described.

DESCRIPTION

FIG. 1 is a perspective view of the closure according to my new design;
FIG. 2 is a top plan view thereof;
FIG. 3 is a front elevational view thereof, the rear elevational view being identical;
FIG. 4 is a left side elevational view thereof, the right side elevational view being identical; and,
FIG. 5 is a bottom plan view thereof.
The broken lines in the drawings are for illustrative purposes only and form no part of the claimed design.

1 Claim, 2 Drawing Sheets

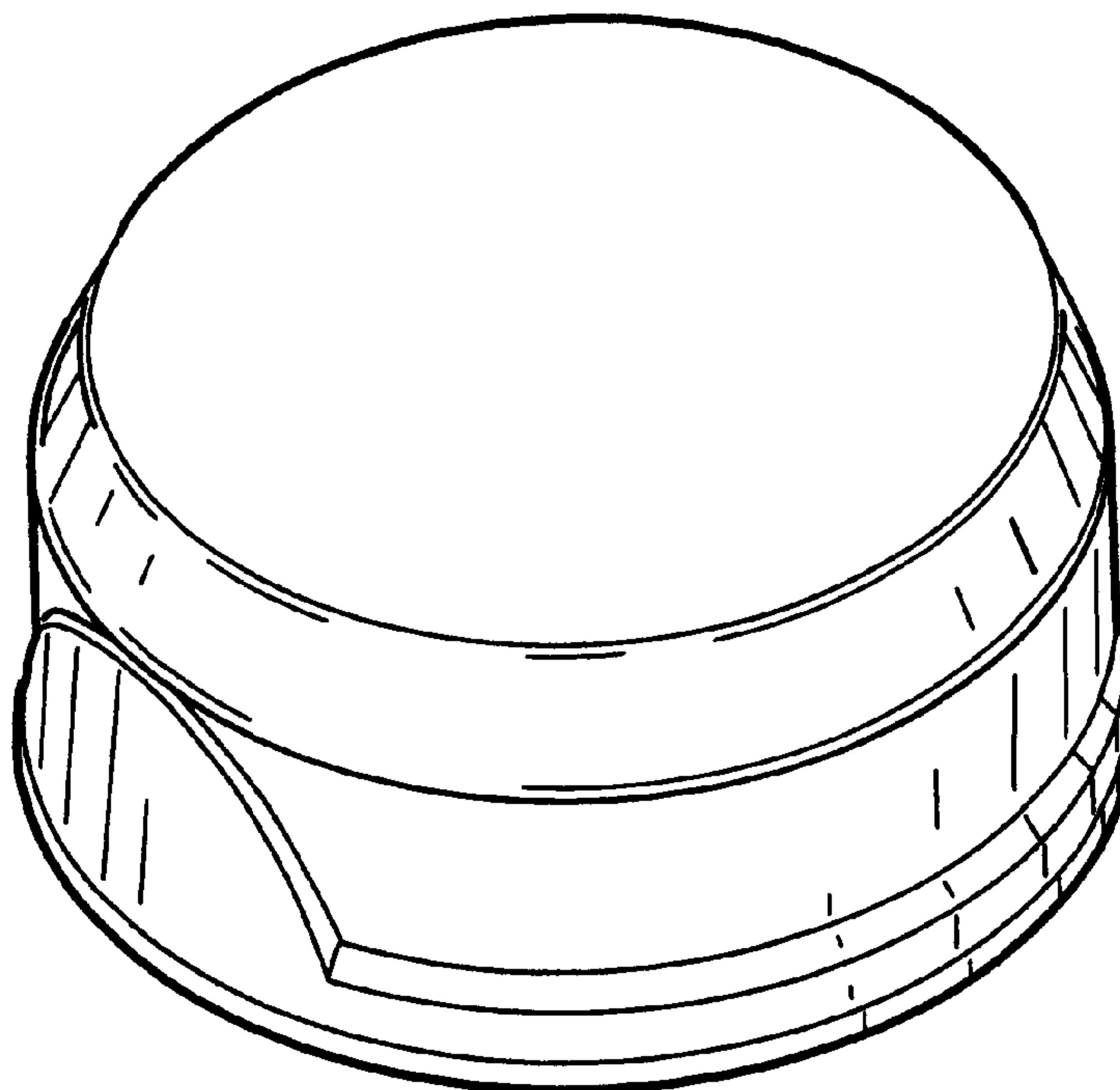


FIG. 1

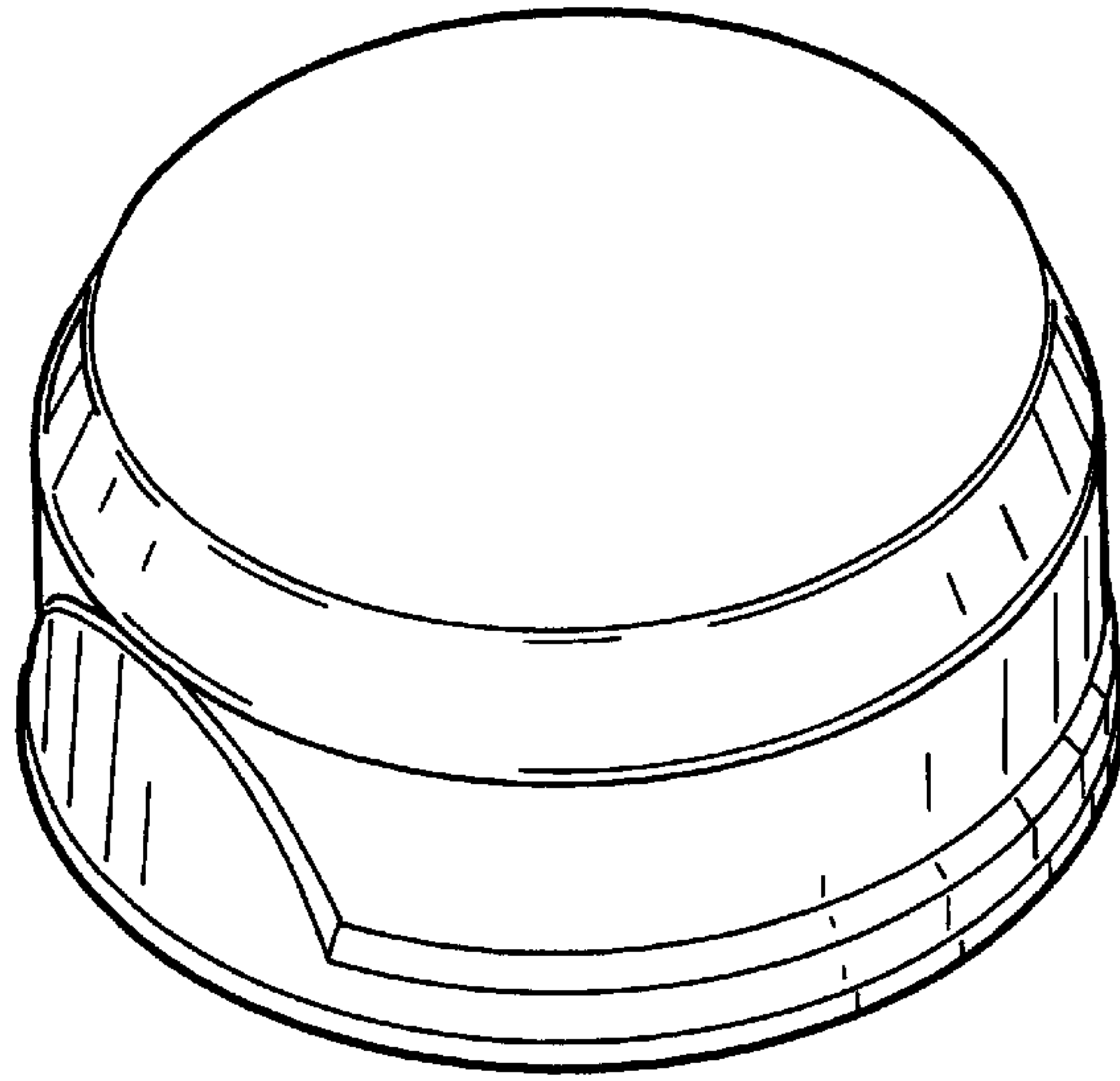


FIG. 2

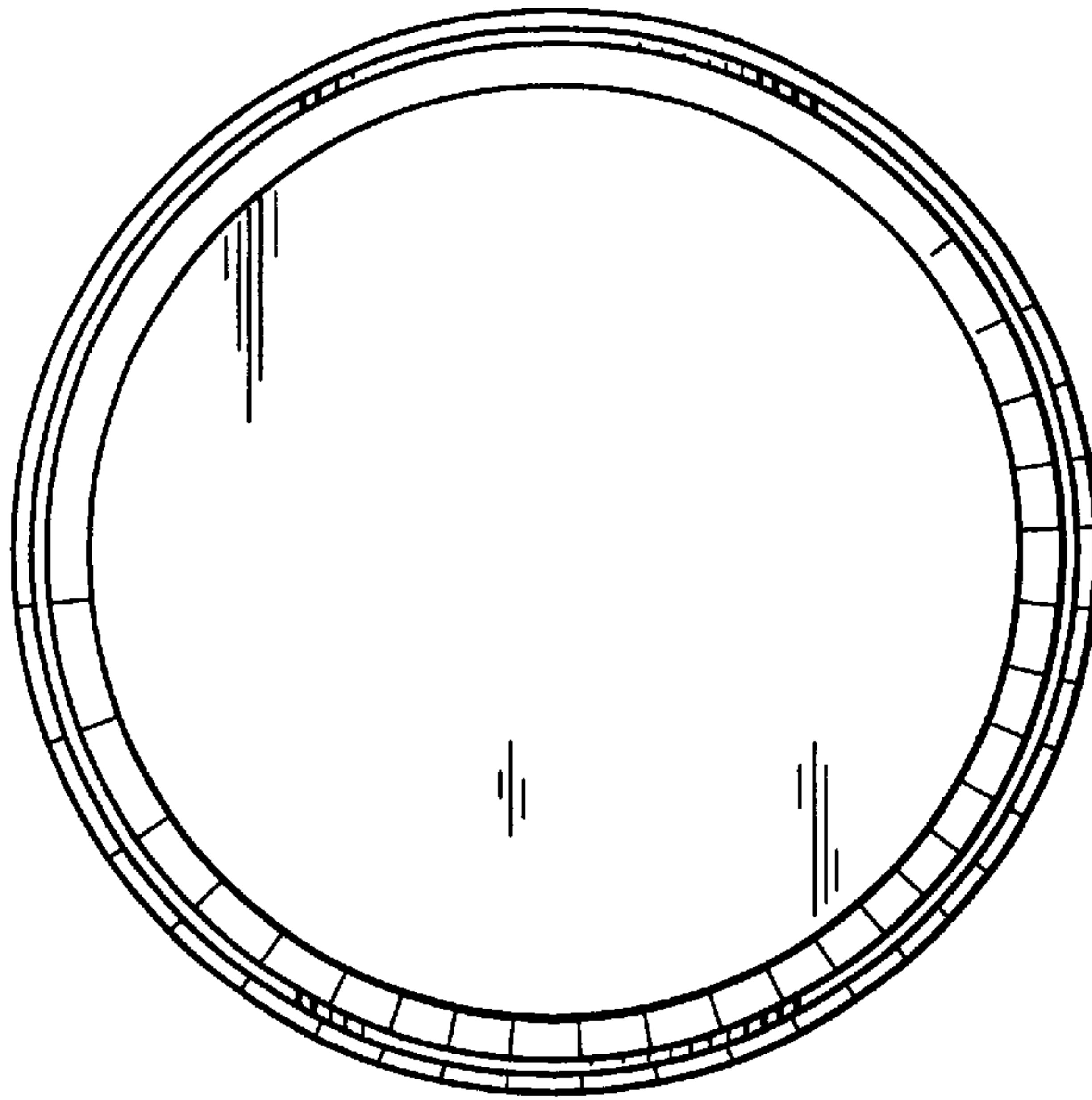
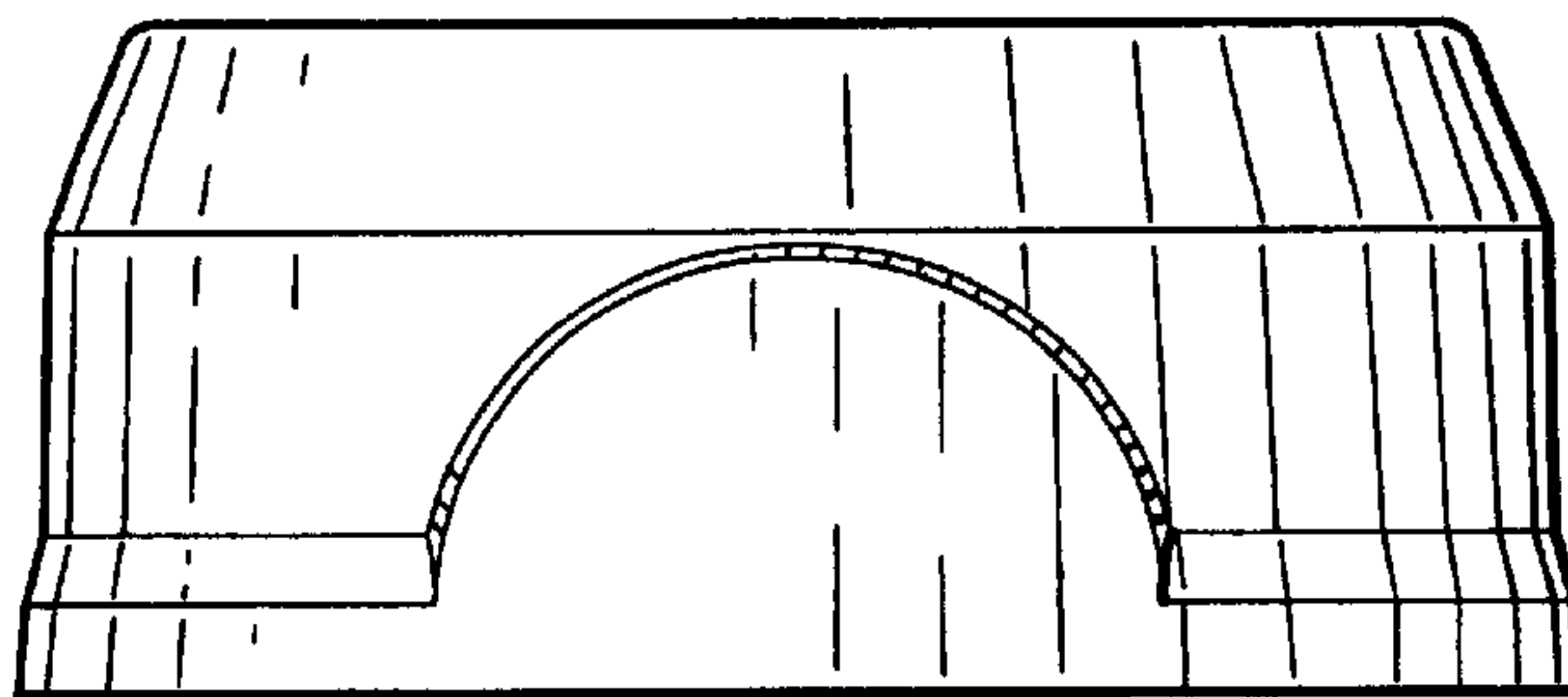


FIG. 3



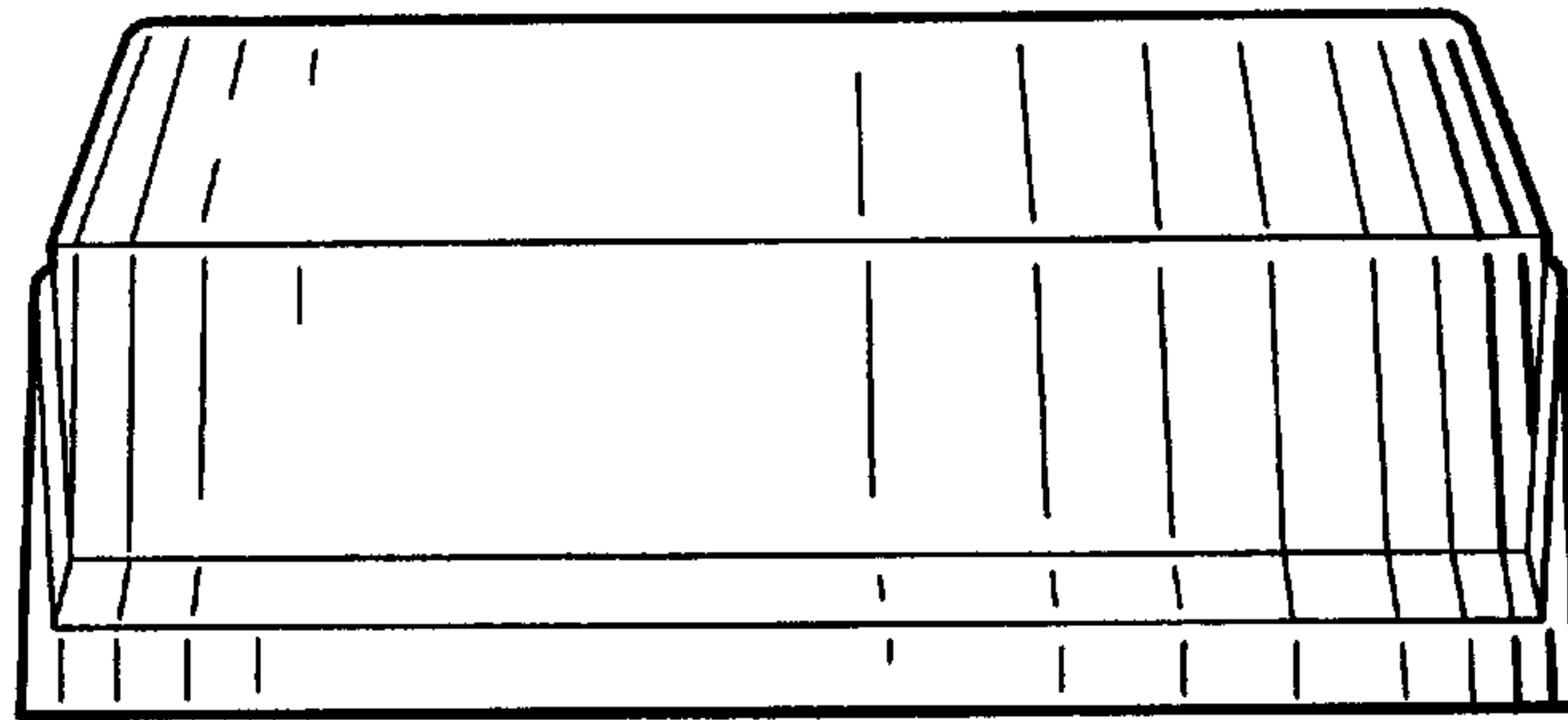


FIG. 4

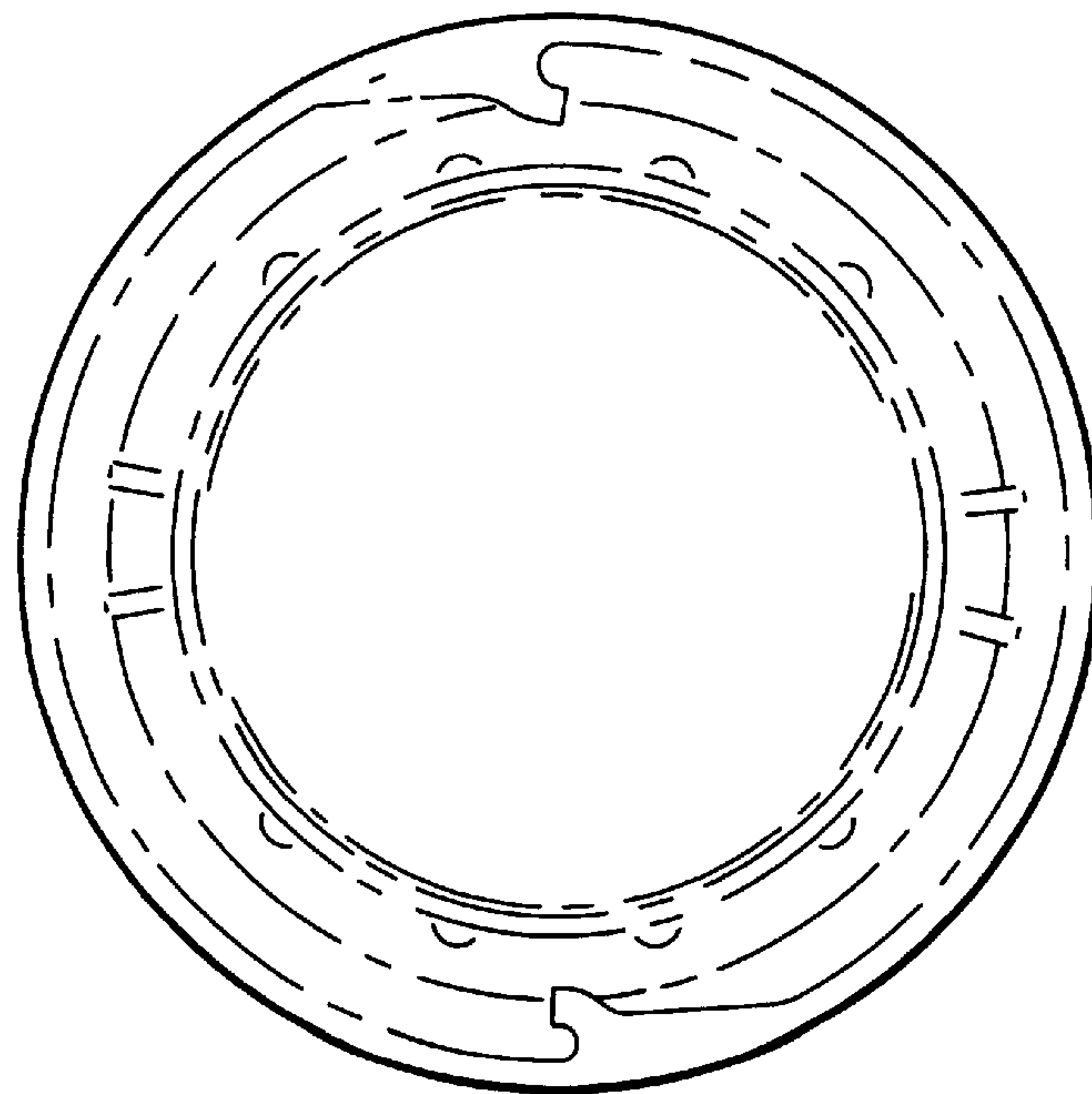


FIG. 5