



US00D528415S

(12) **United States Design Patent**
Tuddenham

(10) **Patent No.:** **US D528,415 S**

(45) **Date of Patent:** **** Sep. 19, 2006**

(54) **PORTABLE HANDLE FOR CARRYING
BOXES, CARTONS AND THE LIKE**

(76) Inventor: **Mark Tuddenham**, 6 Karen Court,
Cranebrook, NSW, 2749 (AU)

(**) Term: **14 Years**

(21) Appl. No.: **29/241,034**

(22) Filed: **Oct. 24, 2005**

(51) **LOC (8) Cl.** **09-99**

(52) **U.S. Cl.** **D9/434**

(58) **Field of Classification Search** D9/499,
D9/434; D3/318, 276; 294/171, 167, 165,
294/137; 224/925

See application file for complete search history.

(56) **References Cited**

U.S. PATENT DOCUMENTS

967,531 A	8/1910	Leuschner	
1,519,864 A	12/1924	McKeever	
3,149,367 A	9/1964	Dills	
3,635,382 A	1/1972	Wilson	
4,004,722 A	1/1977	Olivier	
D325,156 S	4/1992	Sweeny	
D335,448 S	* 5/1993	Laferla D9/434

5,273,334 A	* 12/1993	Schopfer 294/137
5,356,190 A	* 10/1994	Torres 294/171
5,411,307 A	* 5/1995	Roberts 294/171
D374,621 S	* 10/1996	Salazar, Jr. D9/434
D489,977 S	* 5/2004	Robberstad D9/434
D497,255 S	* 10/2004	Scola D3/328
D502,872 S	* 3/2005	Fleming D9/434
D505,862 S	* 6/2005	Hughes D9/434

* cited by examiner

Primary Examiner—Robert M. Spear
Assistant Examiner—Susan Bennett Hattan

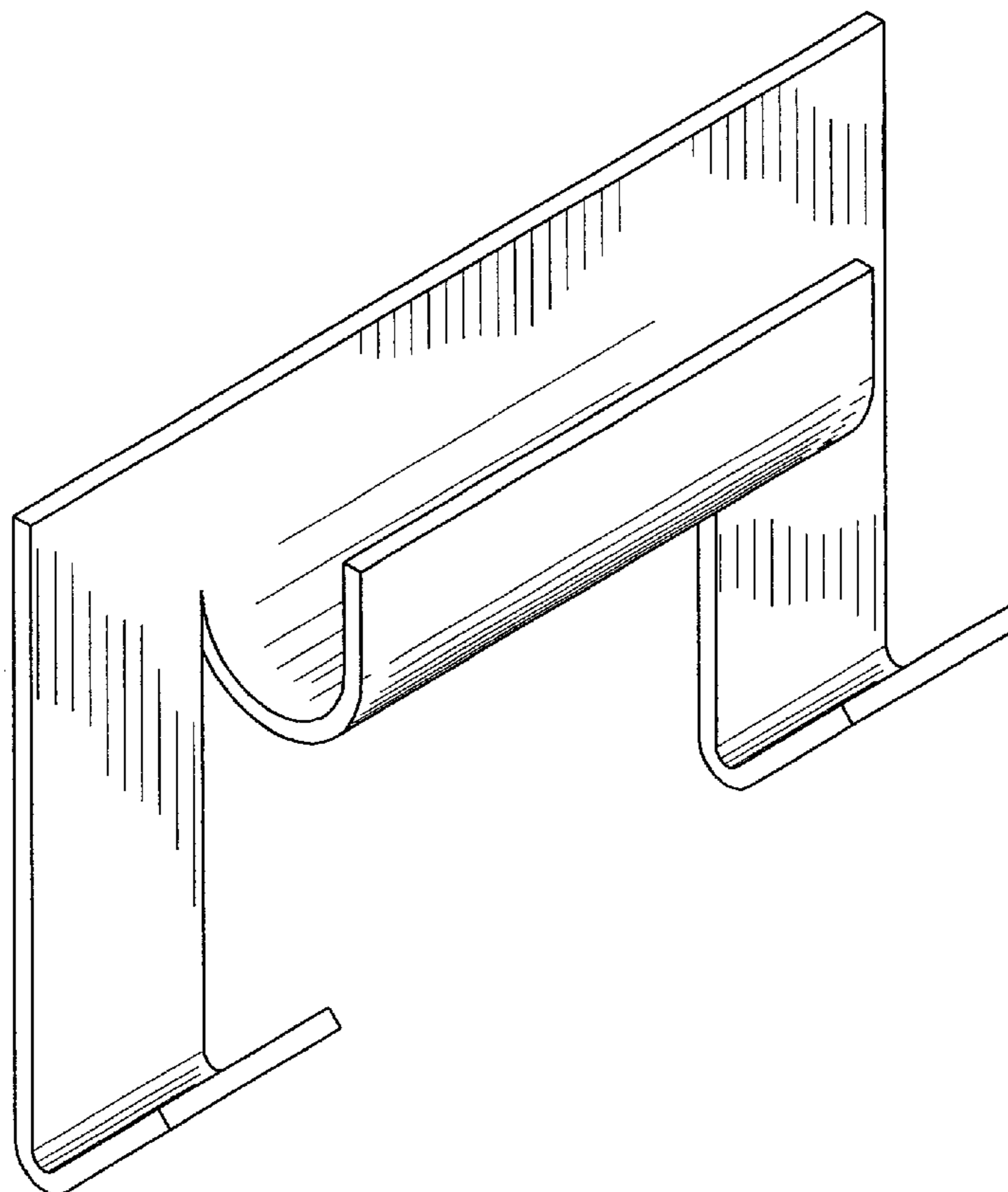
(57) **CLAIM**

The ornamental design for a portable handle for carrying boxes, cartons and the like, as shown and described.

DESCRIPTION

FIG. 1 is a front elevational view of a portable handle for carrying boxes, cartons and the like showing my new design; FIG. 2 is a rear elevational view thereof; FIG. 3 is a top plan view thereof; FIG. 4 is a bottom plan view thereof; FIG. 5 is a side elevational view thereof; and, FIG. 6 is a perspective view thereof.

1 Claim, 3 Drawing Sheets



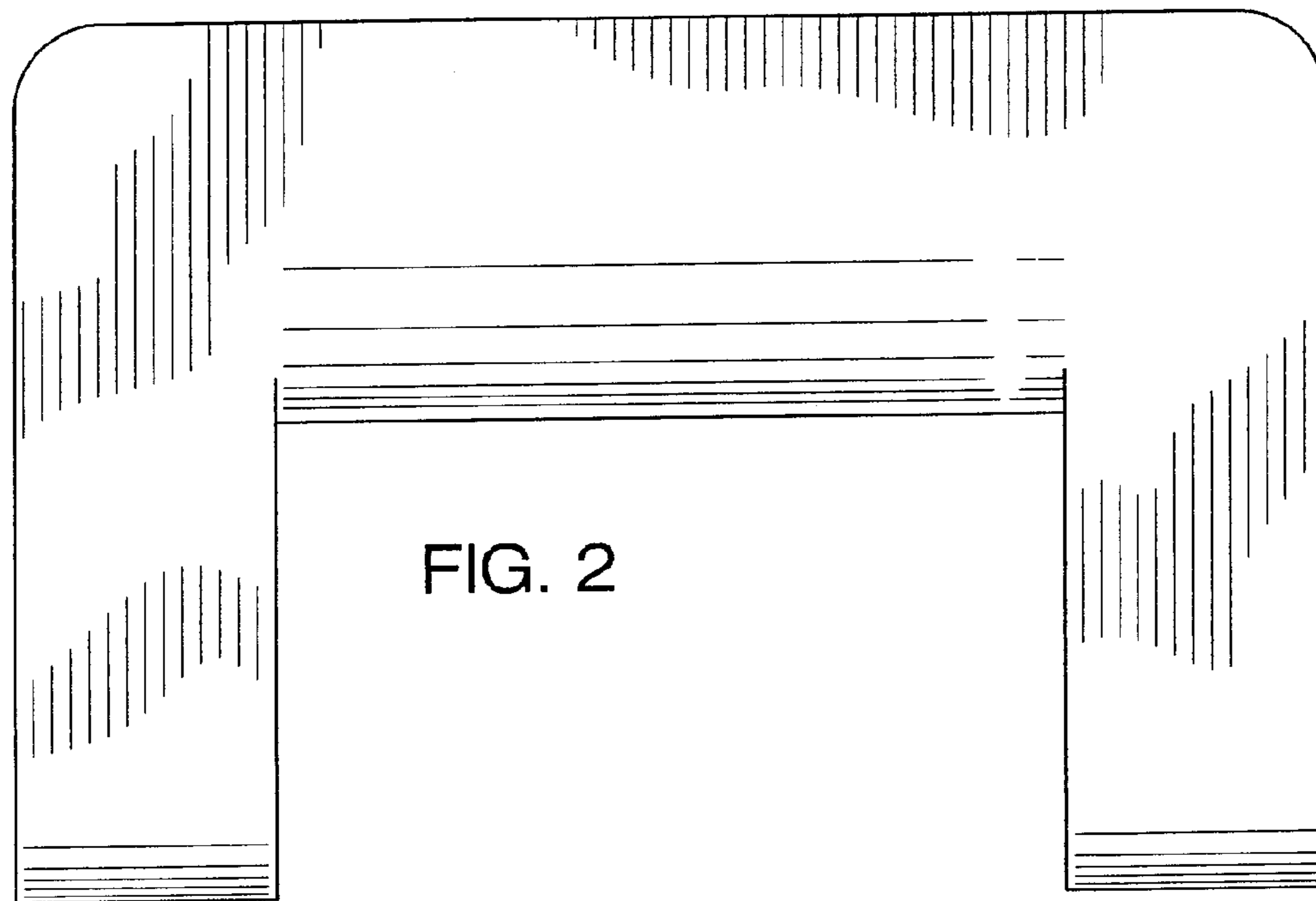
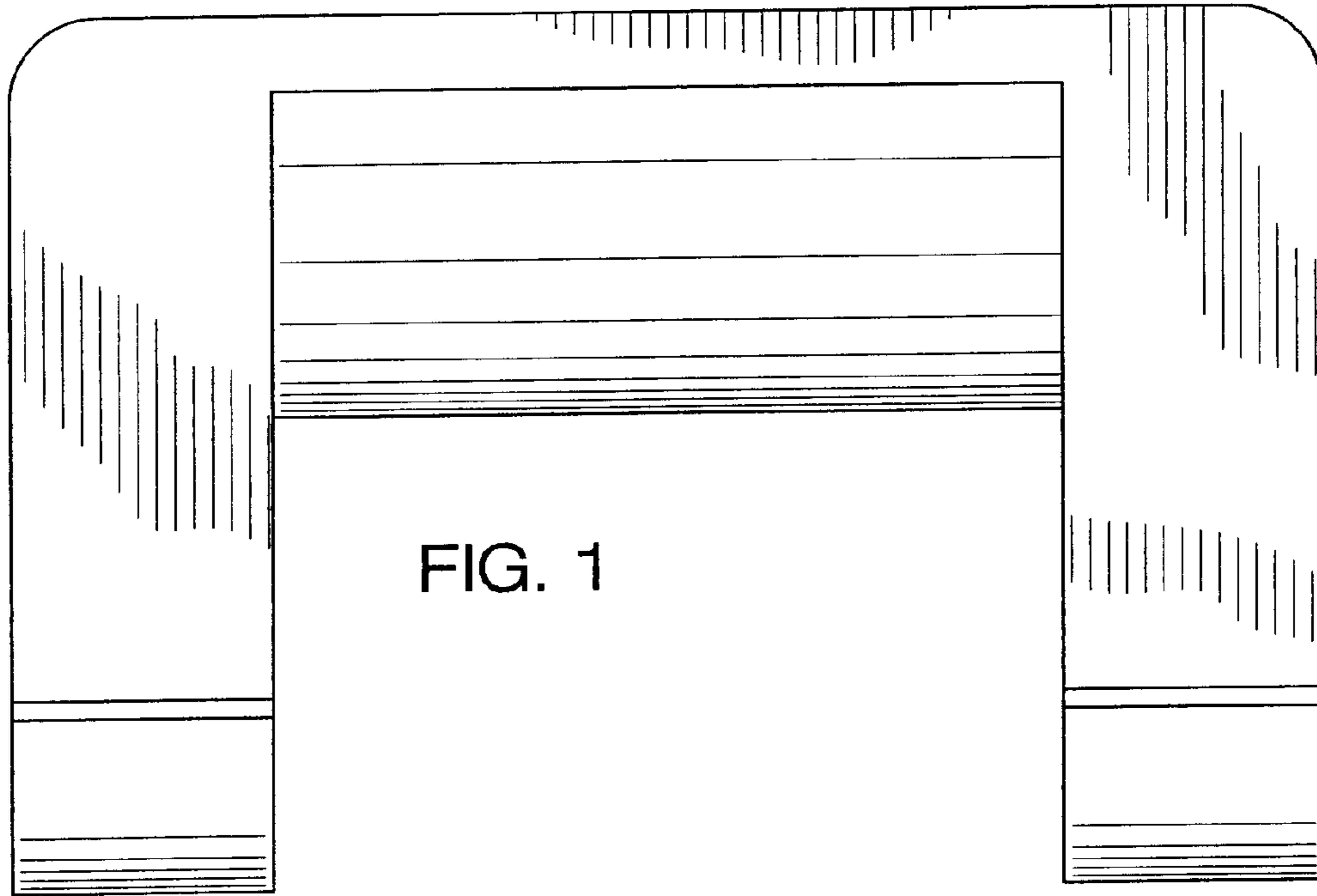


FIG. 3

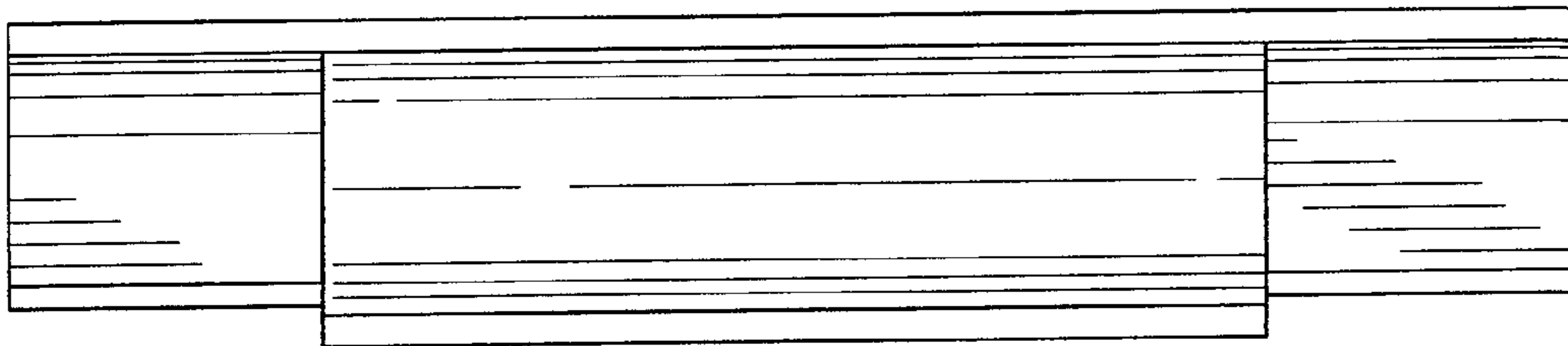
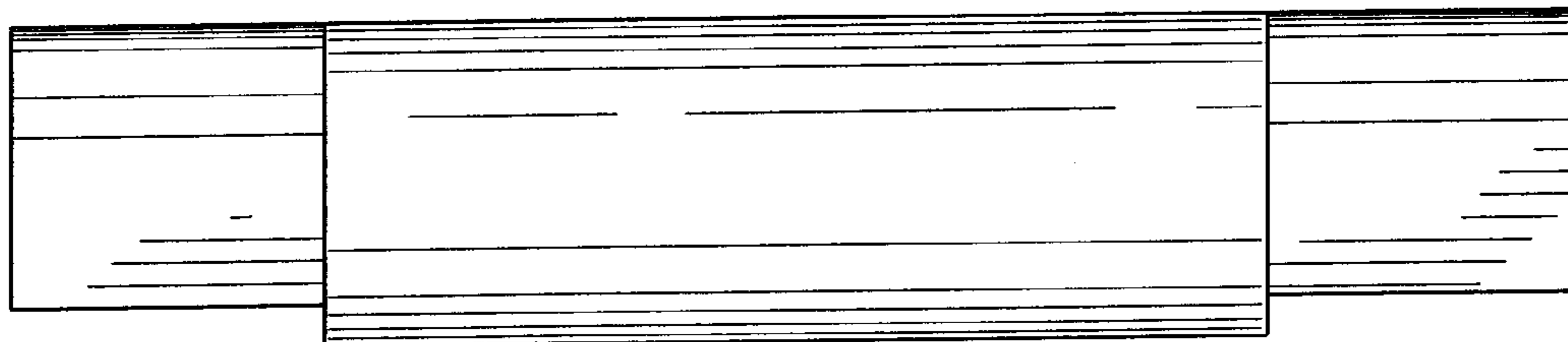


FIG. 4



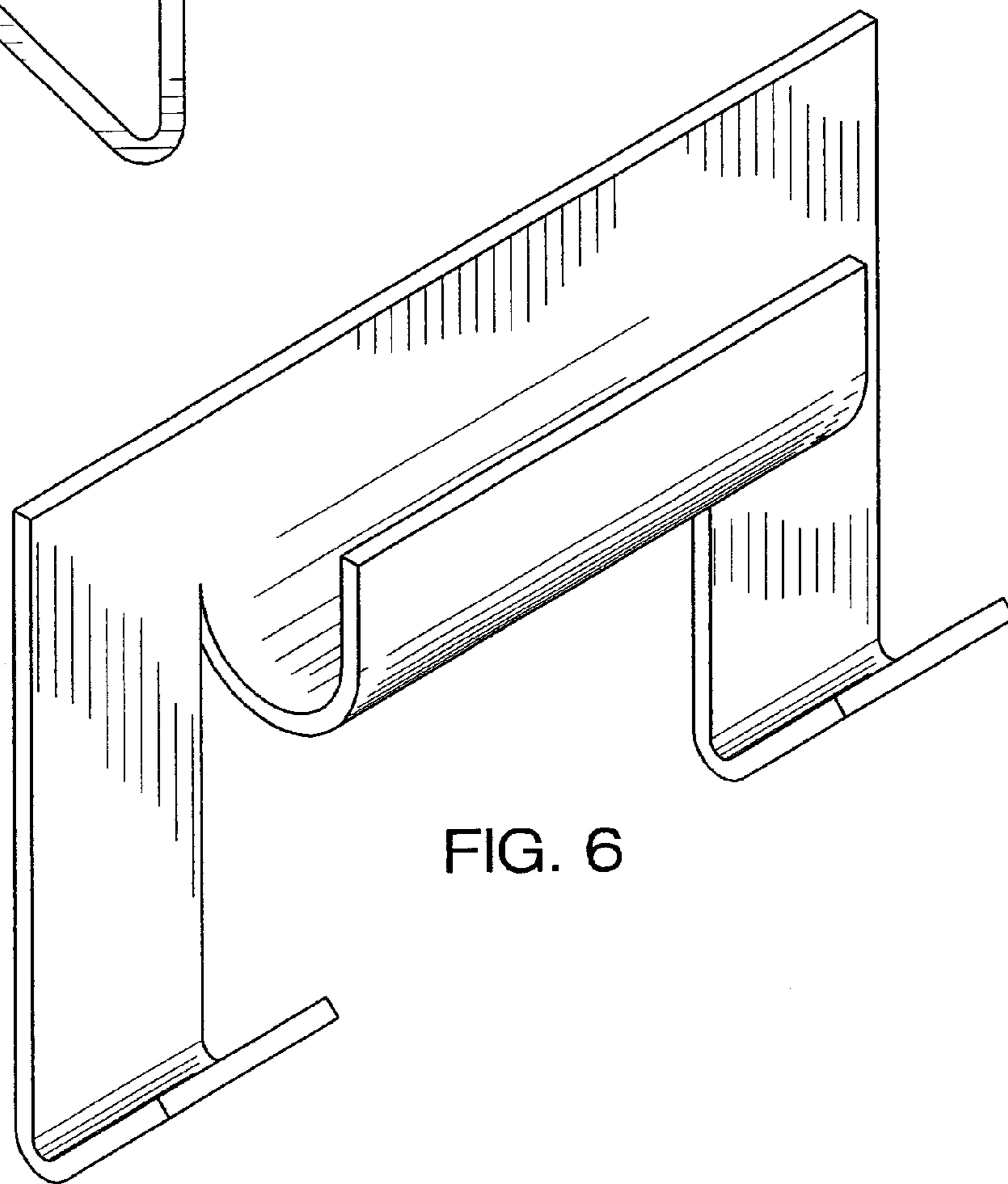
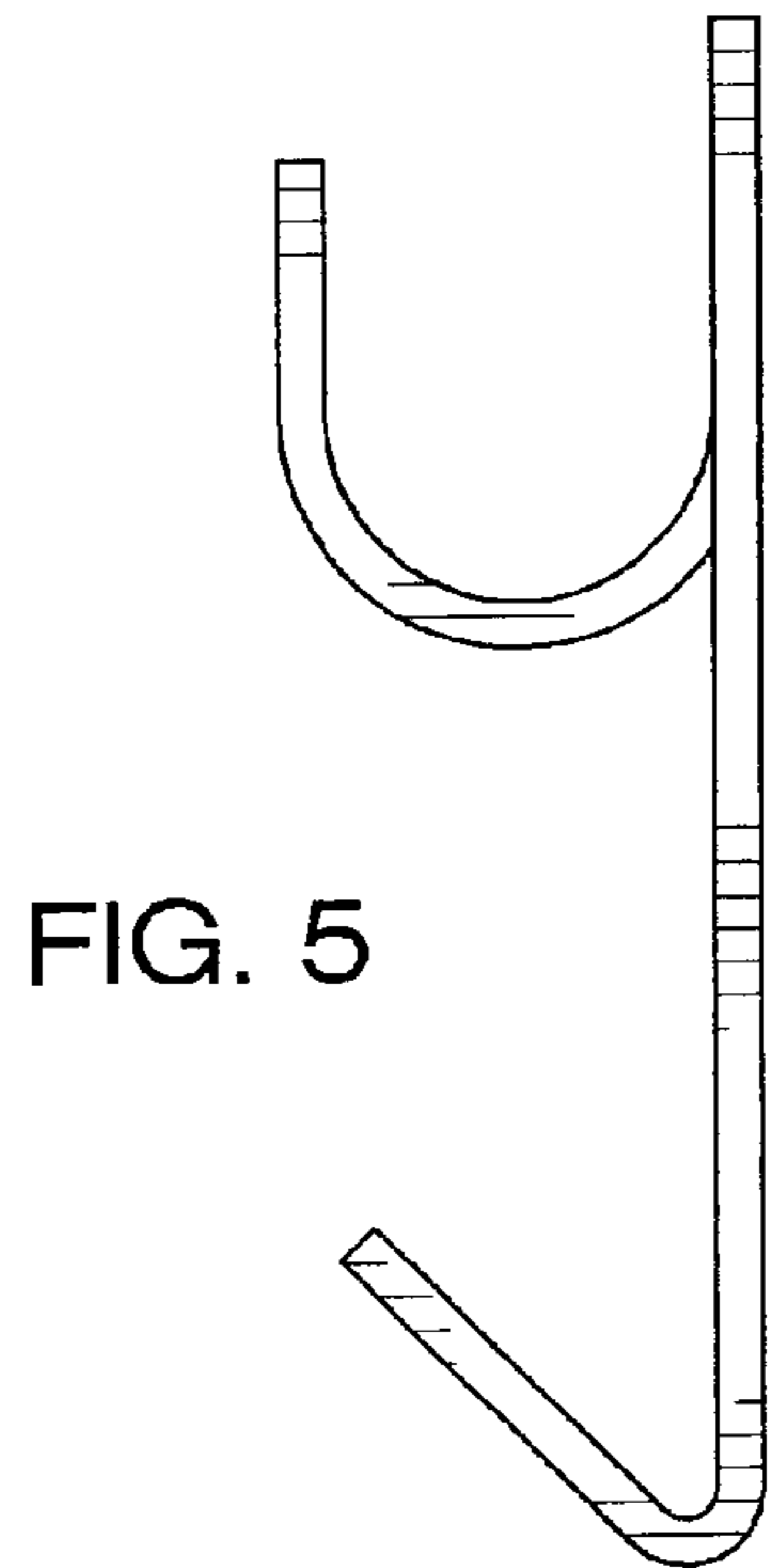


FIG. 6