



US00D528411S

(12) **United States Design Patent**
Nehus et al.

(10) **Patent No.:** **US D528,411 S**
(45) **Date of Patent:** **** Sep. 19, 2006**

(54) **DISPLAY BOX**

(75) Inventors: **Uwe Nehus**, Verden (DE); **Ernst Hufenreuter**, Herzberg (DE)

(73) Assignee: **Mars, Incorporated**, McLean, VA (US)

(**) Term: **14 Years**

(21) Appl. No.: **29/232,539**

(22) Filed: **Jun. 21, 2005**

(30) **Foreign Application Priority Data**

Dec. 21, 2004 (EM) 275540

(51) **LOC (8) Cl.** **09-03**

(52) **U.S. Cl.** **D9/432**

(58) **Field of Classification Search** D9/429-432,
D9/737, 414, 415, 418; 206/485, 564, 589,
206/768, 764, 526, 756, 765, 769, 770, 418.68,
206/426, 806, 775-783, 349, 486, 476; 229/162,
229/168

See application file for complete search history.

(56) **References Cited**

U.S. PATENT DOCUMENTS

4,485,922 A * 12/1984 Desmond et al. 206/485
5,505,309 A * 4/1996 Taravella et al. 206/485
6,050,420 A * 4/2000 Green 206/764

D440,488 S * 4/2001 Thompson et al. D9/415
D455,649 S * 4/2002 Humphrey D9/415
6,386,371 B1 * 5/2002 Parsons 206/768
D483,663 S * 12/2003 Sherman D9/415

* cited by examiner

Primary Examiner—Stella Reid
Assistant Examiner—Mark Goodwin

(74) *Attorney, Agent, or Firm*—Fitzpatrick, Cella, Harper & Scinto

(57) **CLAIM**

The ornamental design for a display box, substantially as shown and described.

DESCRIPTION

FIG. 1 is a perspective view of the front, top, and left side of the display box with the interior exposed, showing our new design;

FIG. 2 is a perspective view of the rear, top, and right side thereof;

FIG. 3 is a front elevational view thereof;

FIG. 4 is a side elevational view of the right side of the display box, the left side being a mirror image thereof;

FIG. 5 is a rear elevational view thereof;

FIG. 6 is a top plan view thereof; and,

FIG. 7 is a bottom plan view thereof.

1 Claim, 3 Drawing Sheets

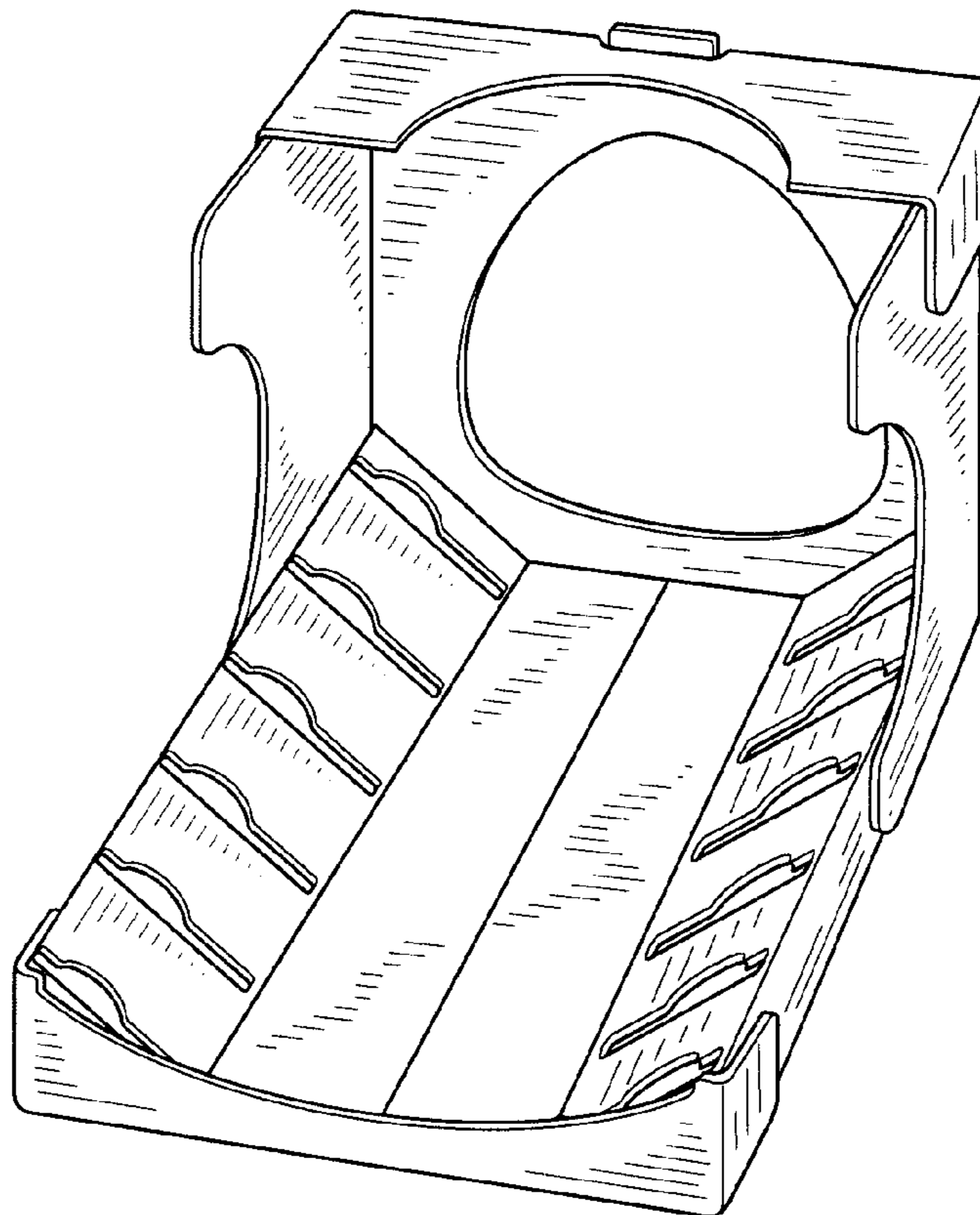


FIG. 1

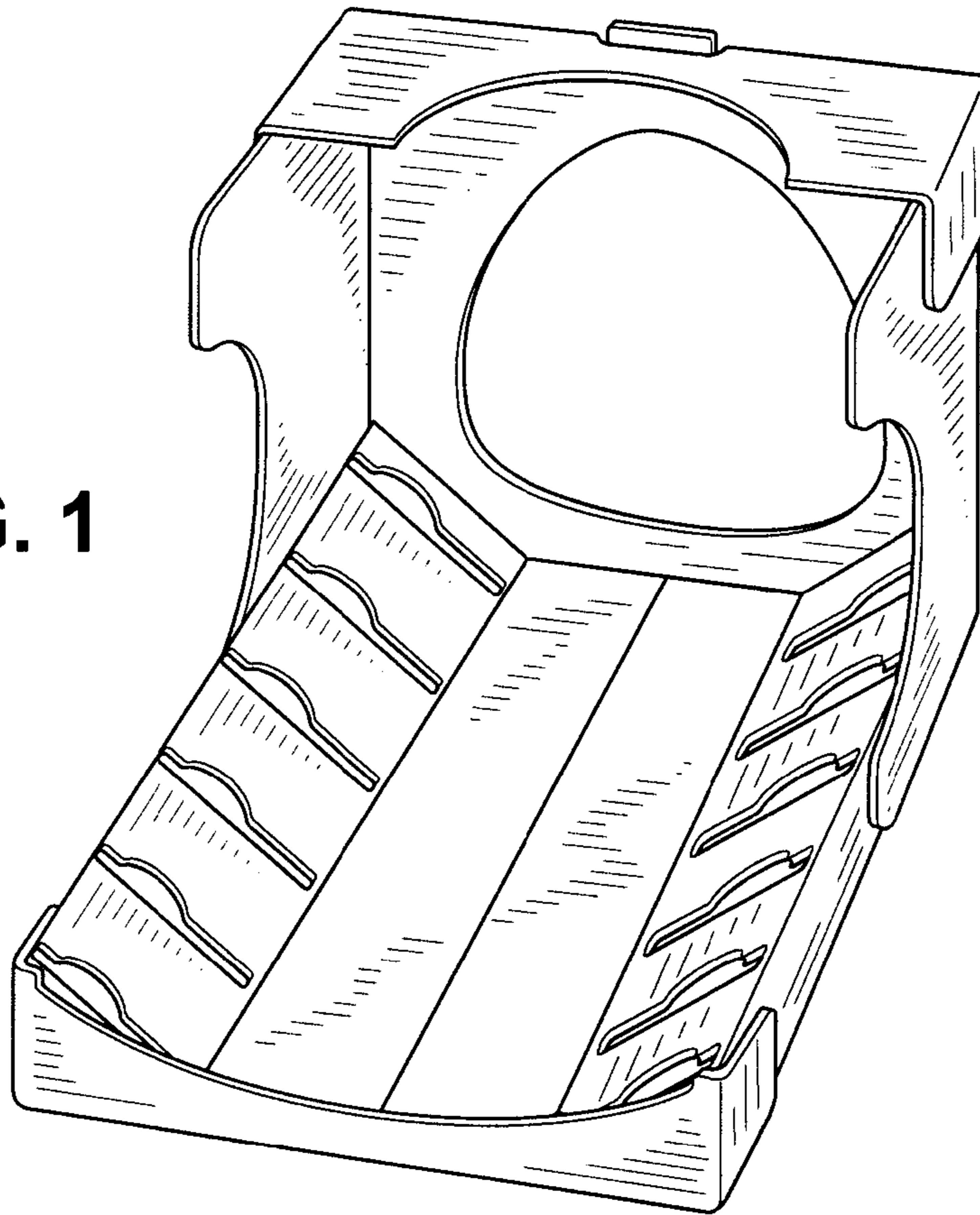


FIG. 2

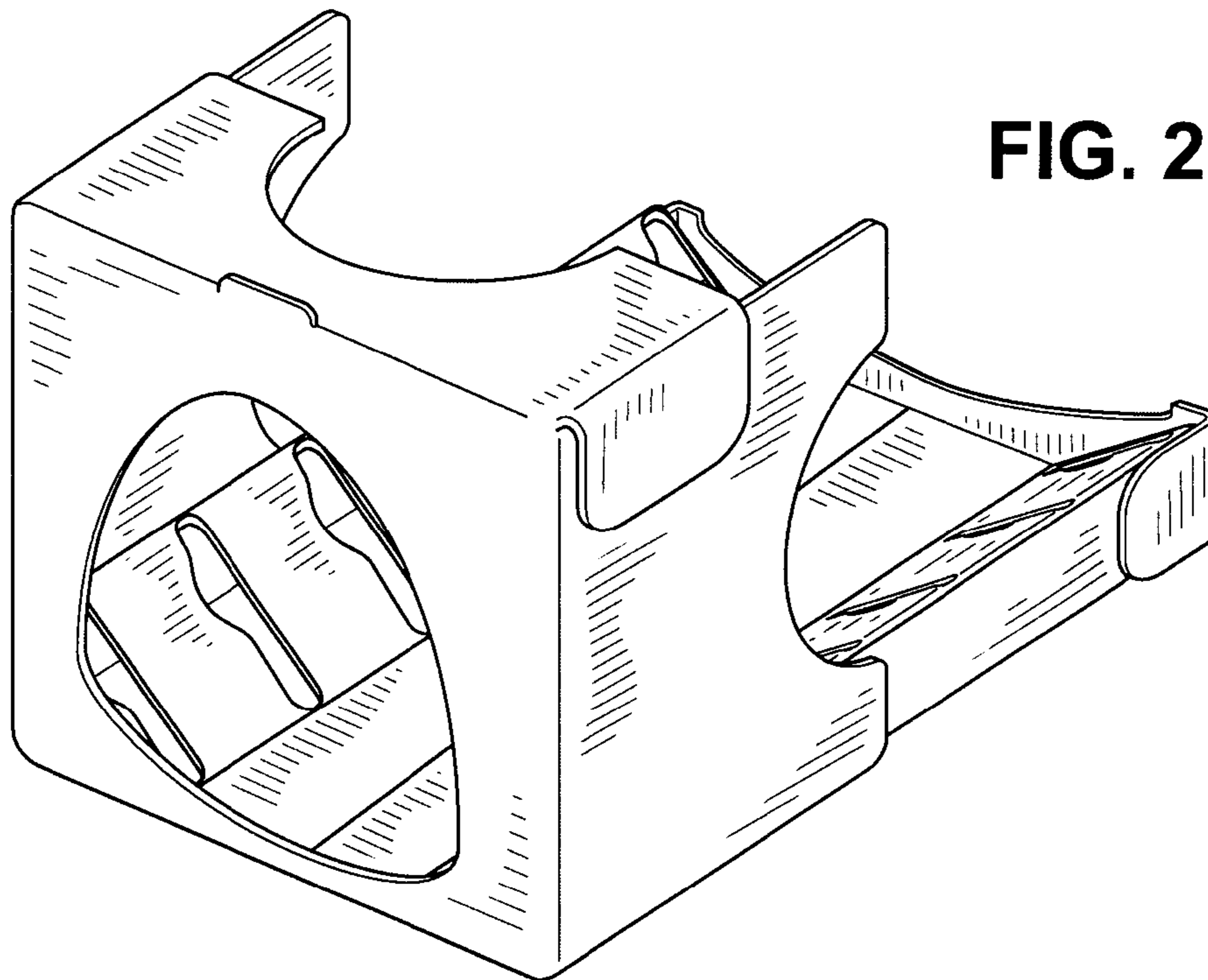


FIG. 3

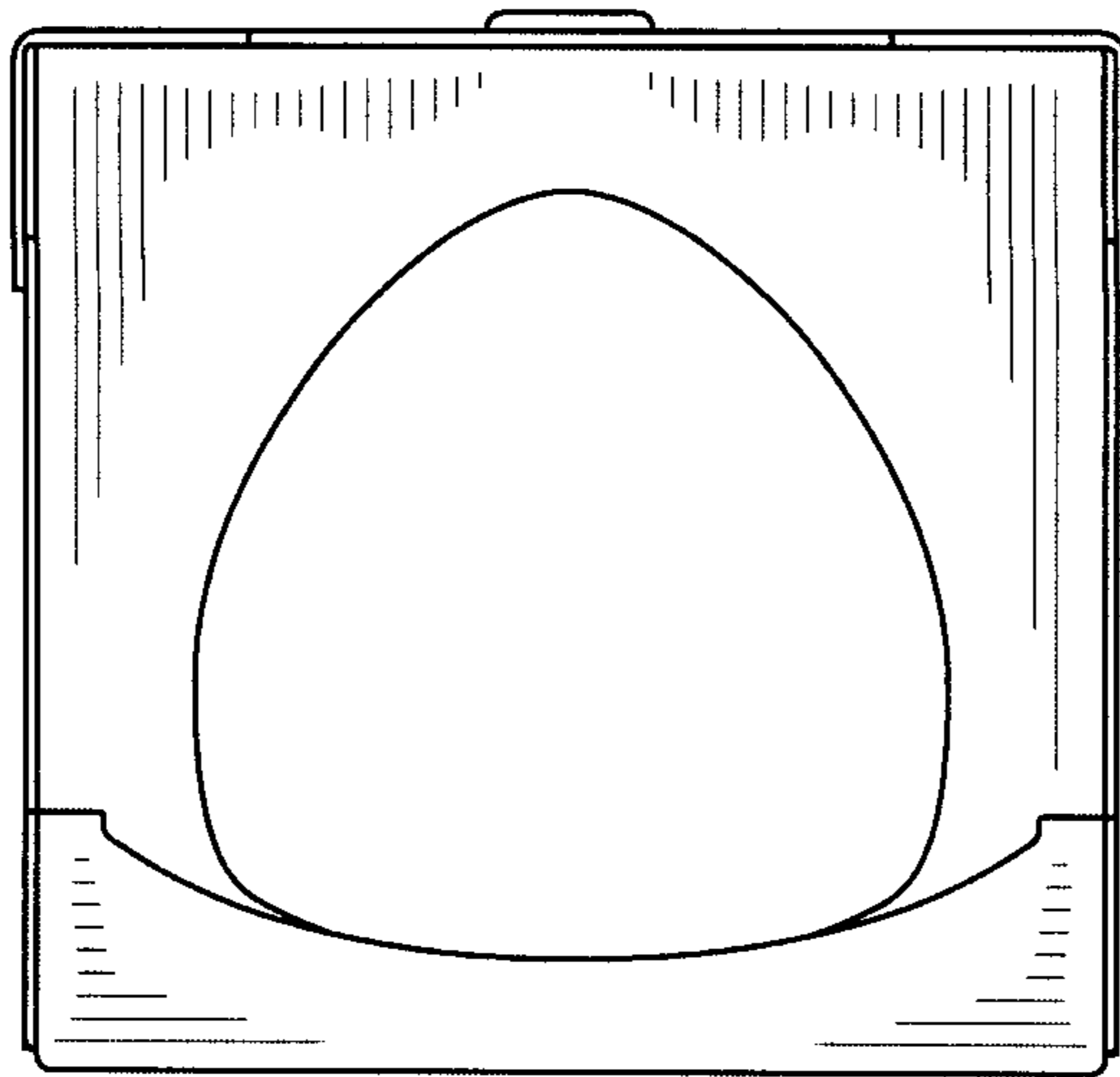


FIG. 4

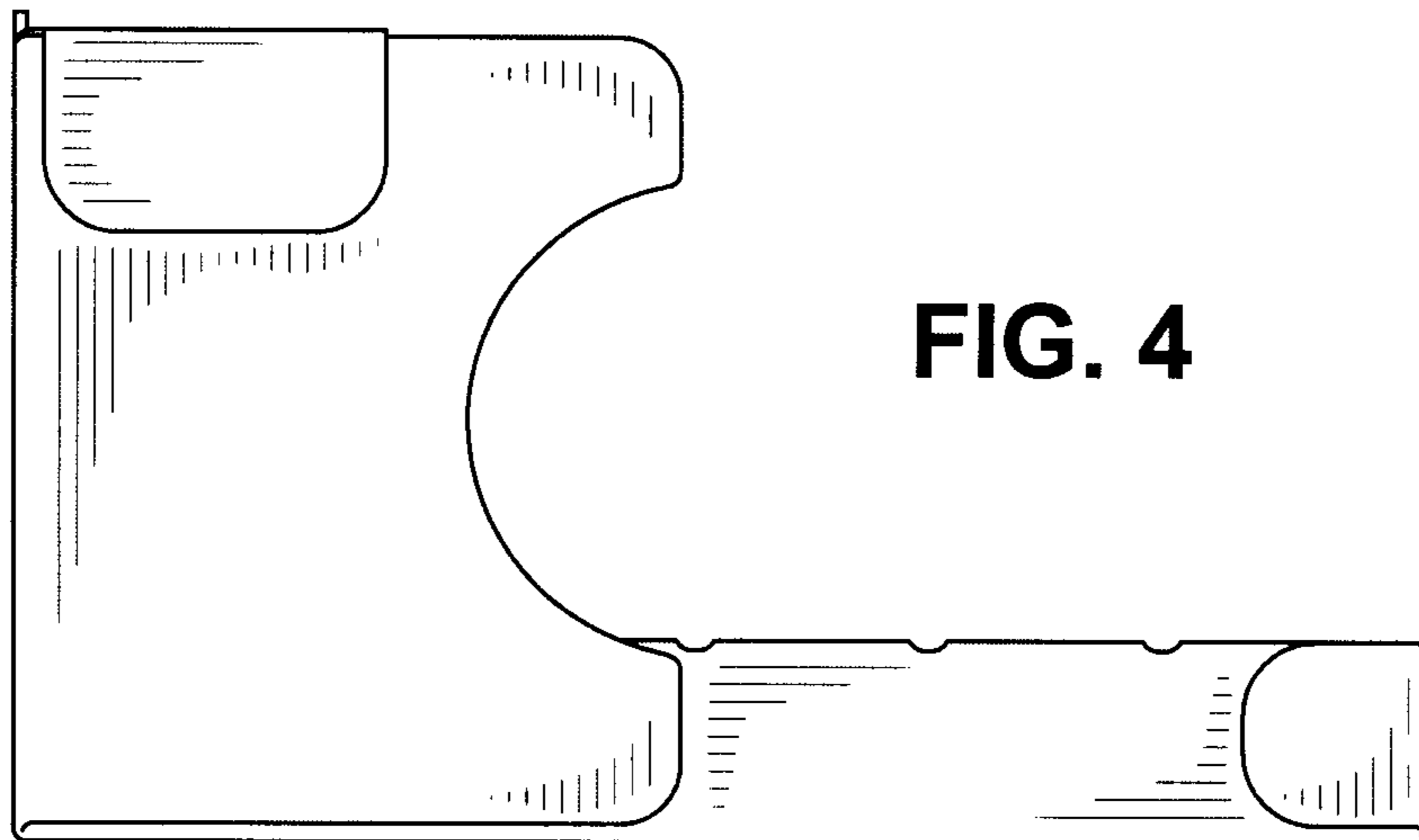


FIG. 5

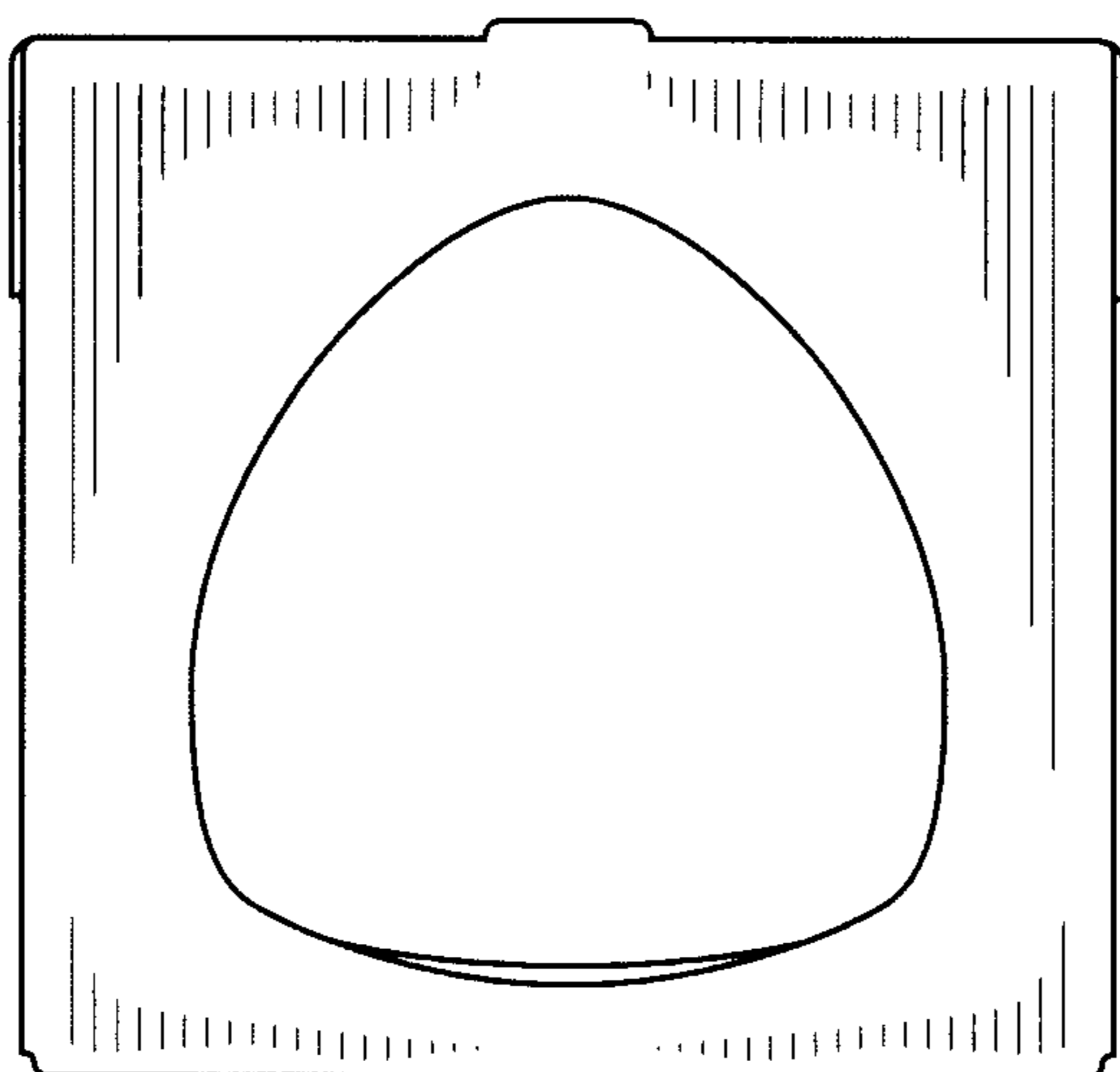


FIG. 6

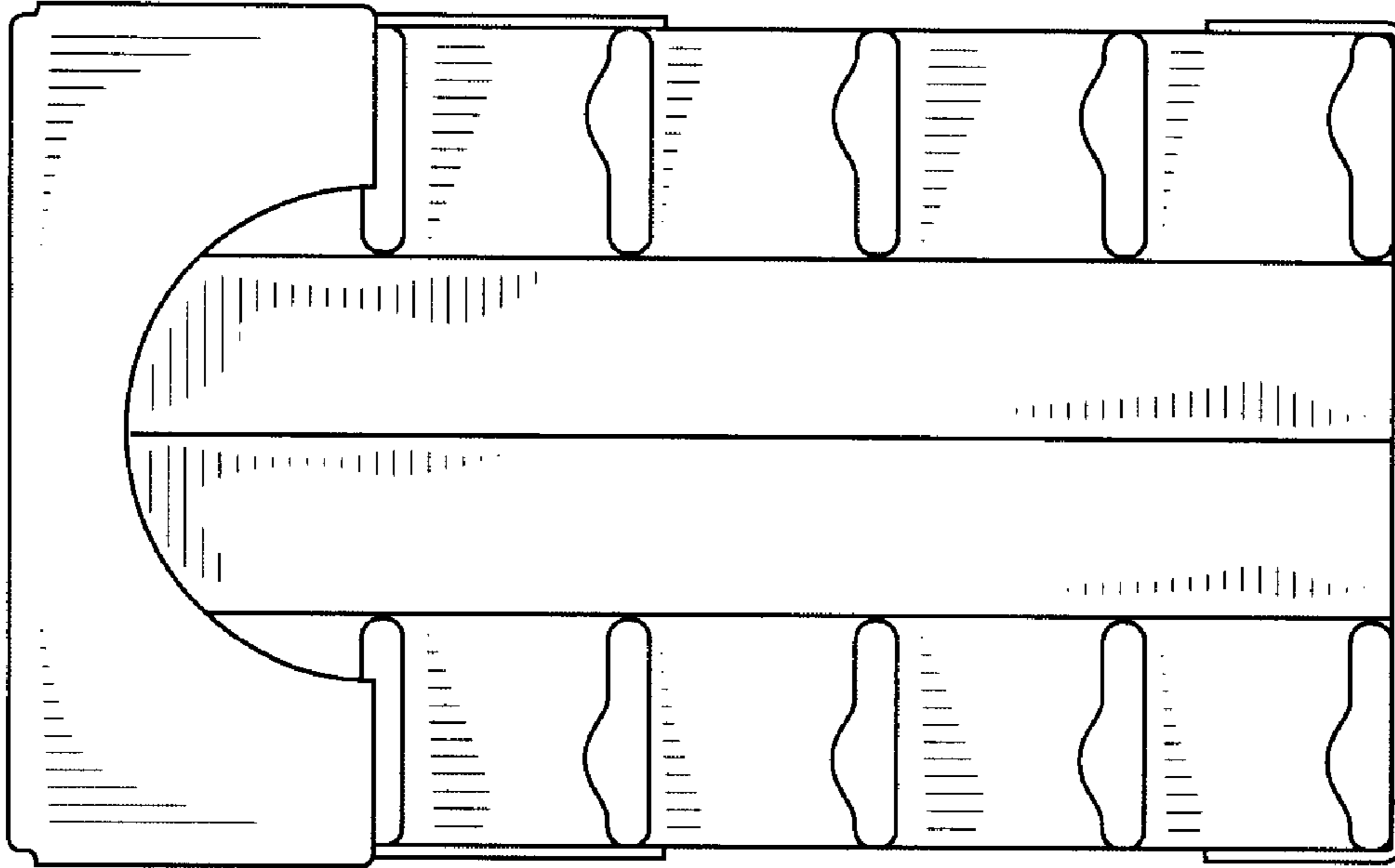


FIG. 7

