



US00D528409S

(12) **United States Design Patent** (10) **Patent No.:** **US D528,409 S**
Kopp et al. (45) **Date of Patent:** **** Sep. 19, 2006**

(54) **HITCH LOCK PACKAGING**
(75) Inventors: **Tony Kopp**, West Allis, WI (US); **Eric Mackey**, Milwaukee, WI (US); **Mark Van Handel**, Milwaukee, WI (US)
(73) Assignee: **Master Lock Company**, Oak Creek, WI (US)
(**) Term: **14 Years**

D400,098 S 10/1998 Wang
5,860,526 A * 1/1999 Burke, Jr. 206/446
6,039,243 A 3/2000 Lickton
D435,442 S * 12/2000 Candelin D9/739
D441,645 S 5/2001 Longhurst
D472,140 S 3/2003 Yang
D483,261 S 12/2003 Stanley
D485,172 S * 1/2004 Defino, Jr. D9/415
D498,138 S * 11/2004 Bibi et al. D9/415

FOREIGN PATENT DOCUMENTS

DE 28 27 994 1/1980
EP 745 542 12/1996

(21) Appl. No.: **29/189,449**
(22) Filed: **Sep. 5, 2003**

OTHER PUBLICATIONS

(51) **LOC (8) Cl.** **09-07**
(52) **U.S. Cl.** **D9/415; D9/418**
(58) **Field of Classification Search** D9/415,
D9/418, 414, 424; 206/461-471, 806, 730,
206/733, 736, 756, 765, 194, 197, 200, 223,
206/320, 457, 486-490, 319, 386; 428/13,
428/14, 543, 542.2; 224/906; 220/1, 5
See application file for complete search history.

International Search Report from PCT/US2004/028769.

* cited by examiner

Primary Examiner—Prabhakar Deshmukh
(74) *Attorney, Agent, or Firm*—Calfee, Halter, & Griswold LLP

(56) **References Cited**

(57) **CLAIM**

The ornamental design for a hitch lock packaging, as shown and described.

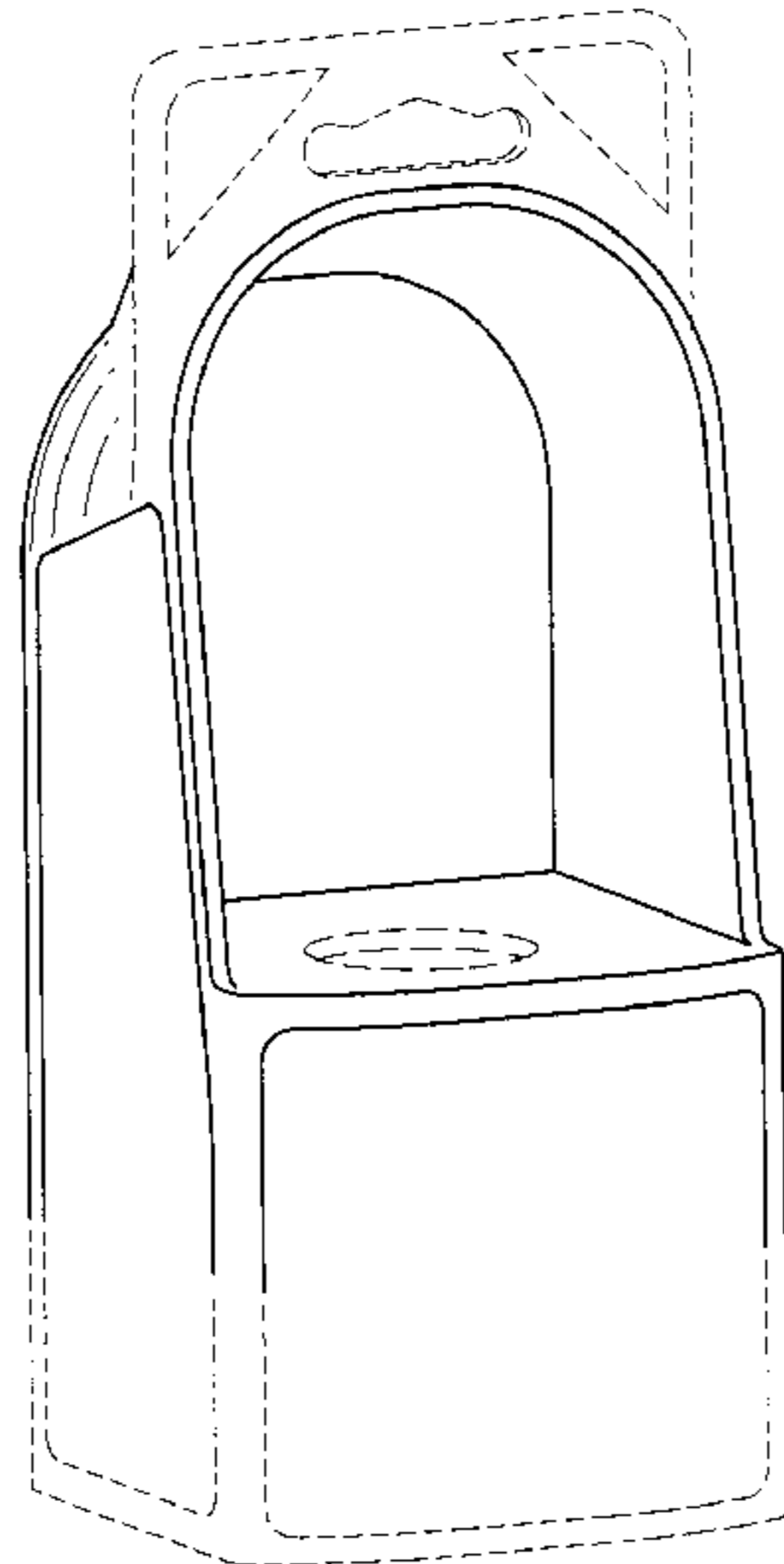
U.S. PATENT DOCUMENTS

DESCRIPTION

2,428,500 A 10/1947 Nutt
2,829,778 A * 4/1958 Carabet 211/70.1
4,423,811 A 1/1984 Knapp
4,512,474 A 4/1985 Harding
D306,806 S * 3/1990 Hill D6/467
4,946,094 A * 8/1990 Stang 224/270
D320,934 S 10/1991 Cross et al.
5,100,002 A * 3/1992 Garran 206/577
5,129,516 A 7/1992 Theros
D334,886 S 4/1993 Cortelli et al.
D354,679 S * 1/1995 Dunn D9/415
5,392,919 A * 2/1995 Passamoni 206/576
D360,358 S * 7/1995 Steinfels, III D9/415
D365,753 S 1/1996 Sibbio
D369,102 S * 4/1996 Pare et al. D9/415
5,520,280 A 5/1996 Lickton

FIG. 1 is a perspective view of a hitch lock packaging showing our new design;
FIG. 2 is a left side elevational view thereof;
FIG. 3 is a front elevational view thereof;
FIG. 4 is a right side elevational view thereof;
FIG. 5 is a rear elevational view thereof;
FIG. 6 is a top plan view thereof; and,
FIG. 7 is a bottom plan view thereof.
The broken lines, which define the bounds of the claimed design, form no part thereof.
The environment shown in broken lines form no part of the claimed design.

1 Claim, 3 Drawing Sheets



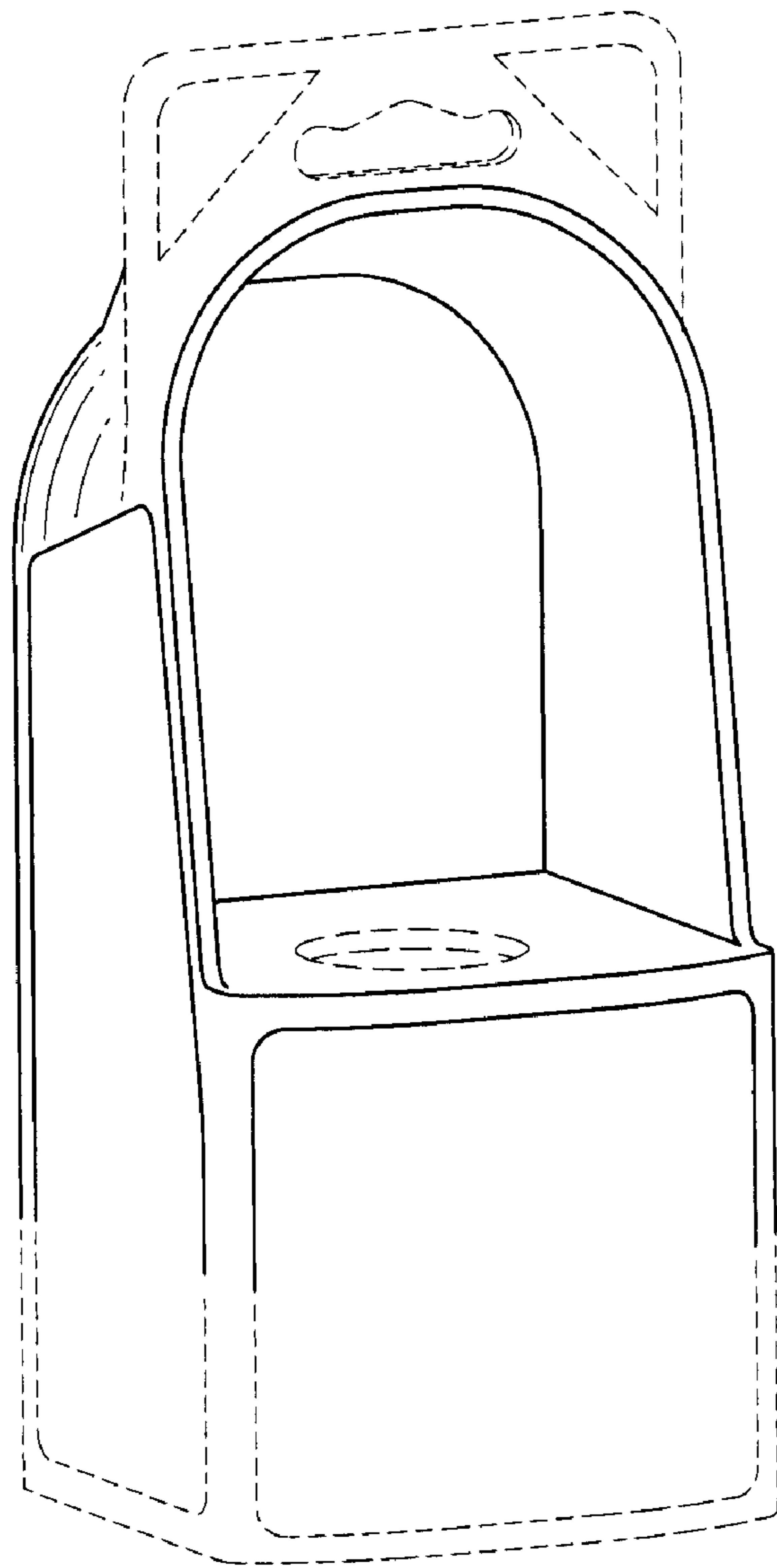


FIG. 1

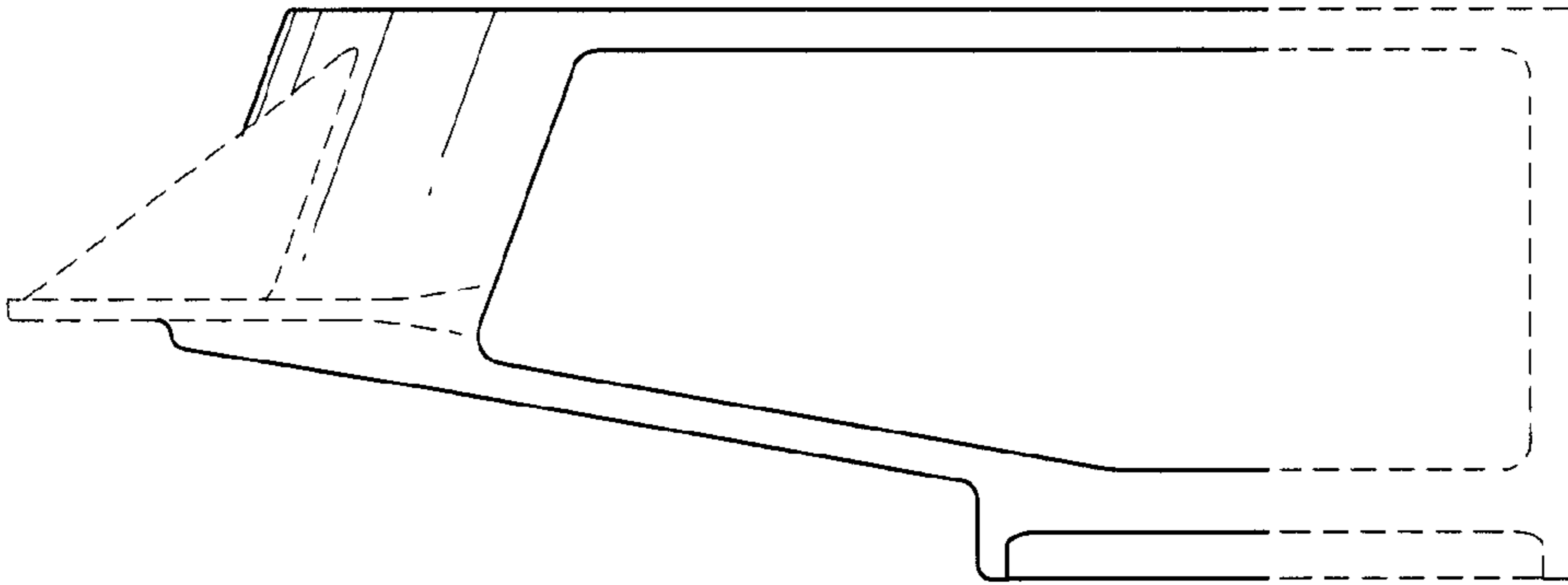


FIG. 4

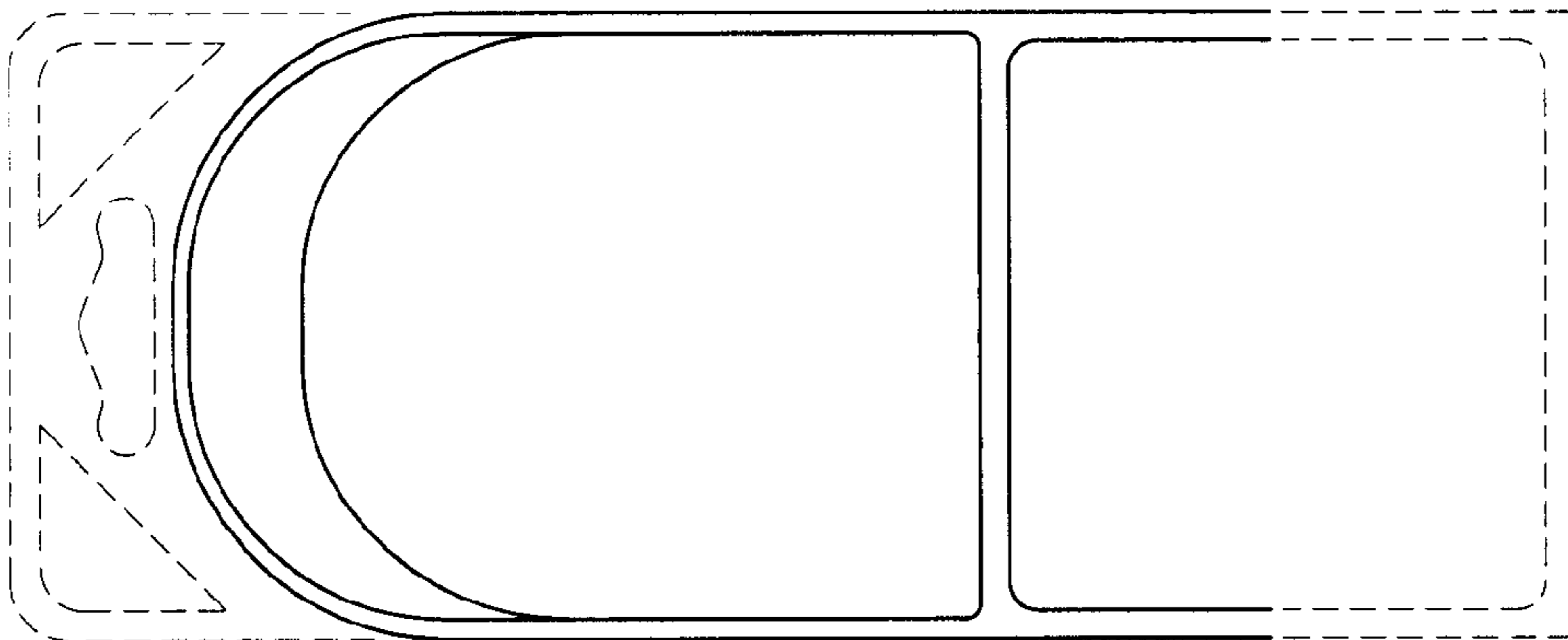


FIG. 3

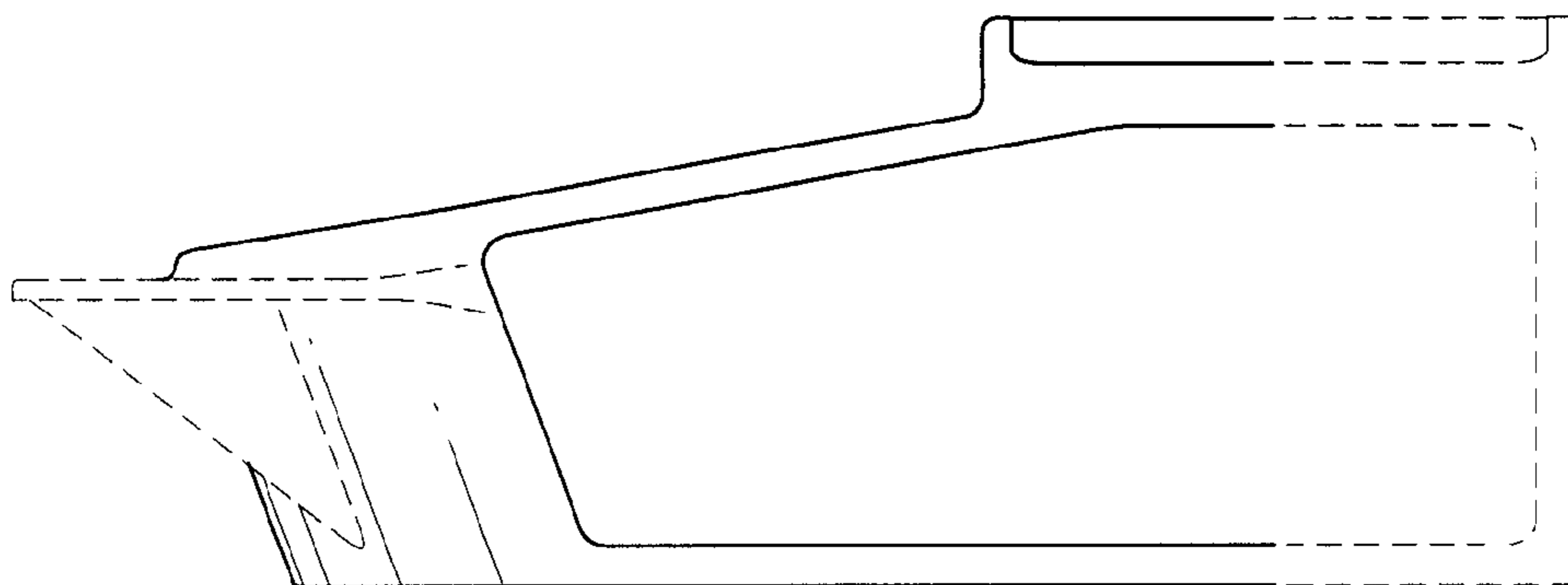


FIG. 2

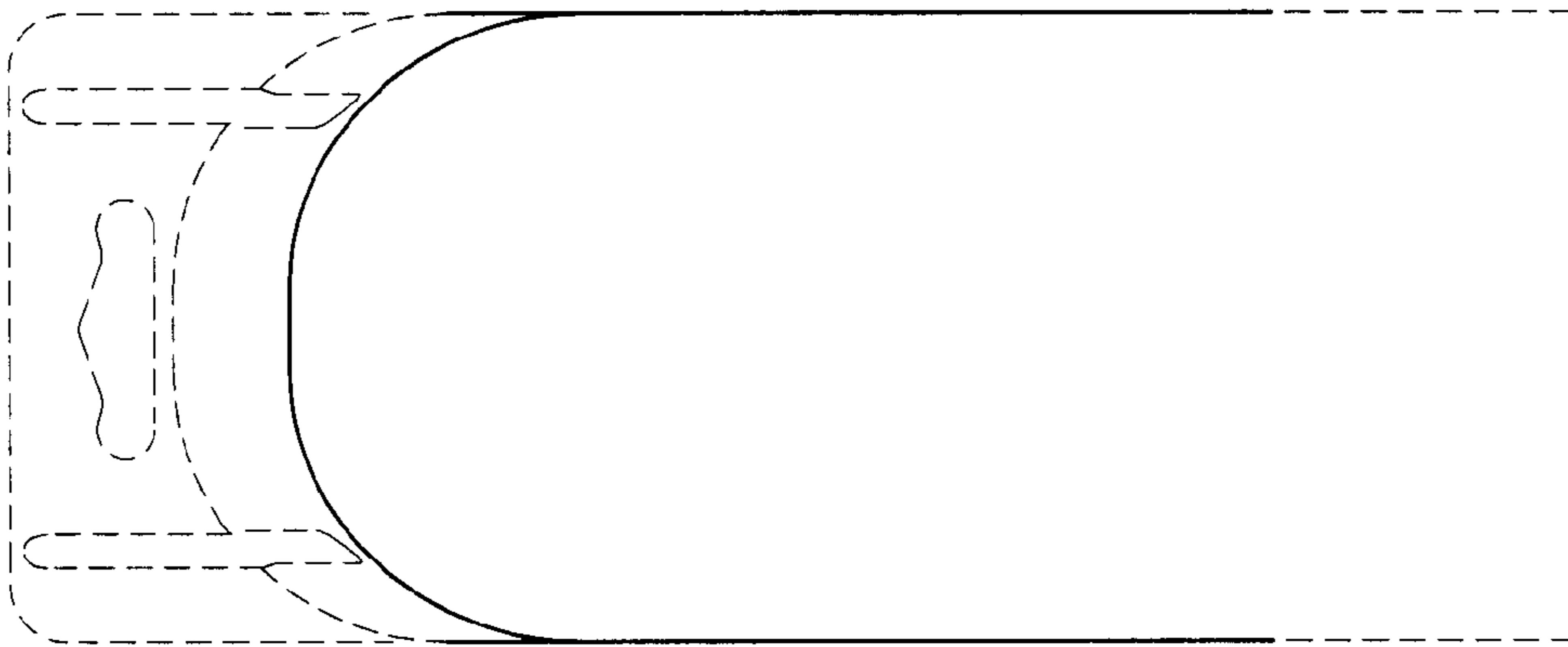


FIG. 5

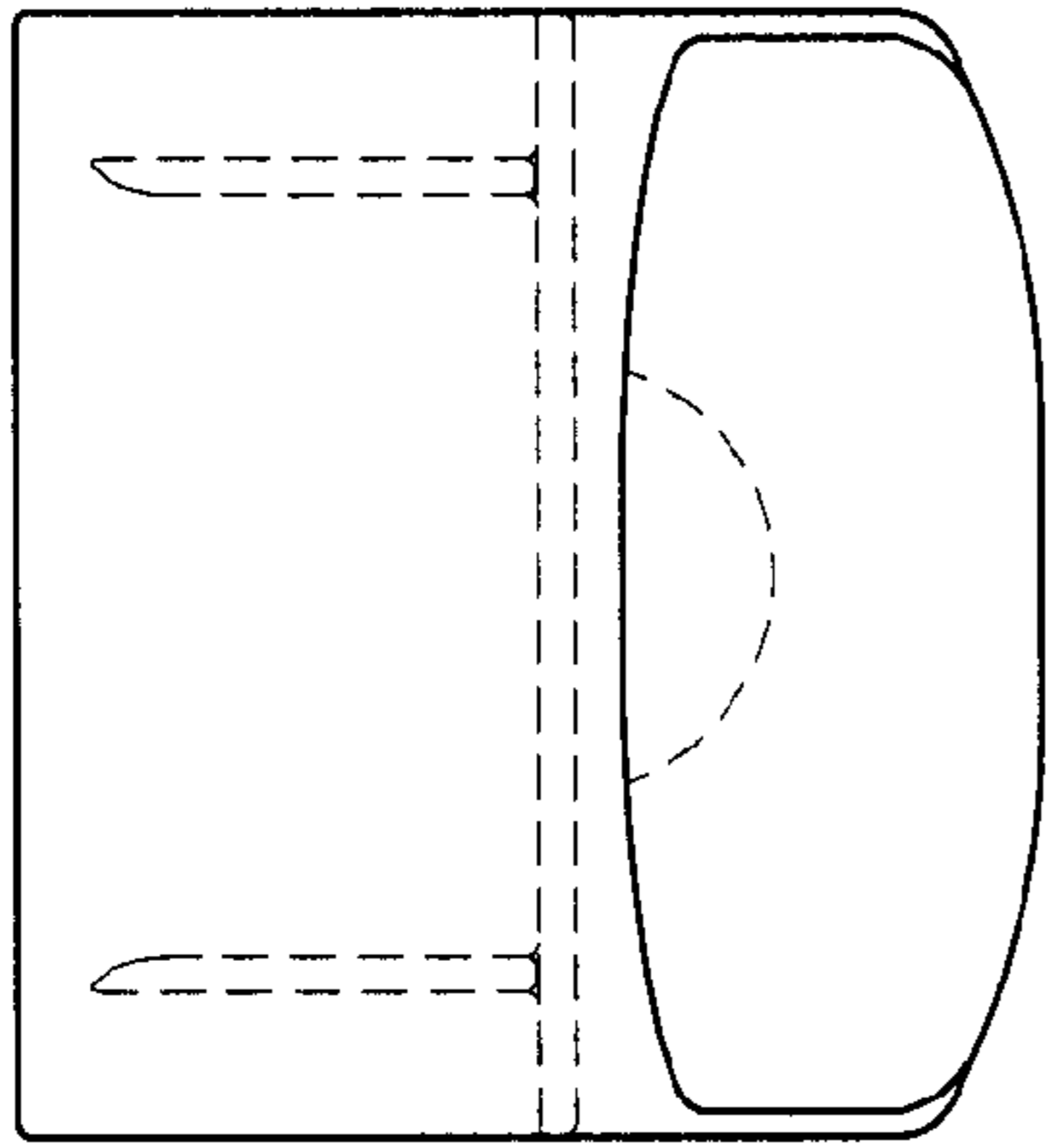


FIG. 6

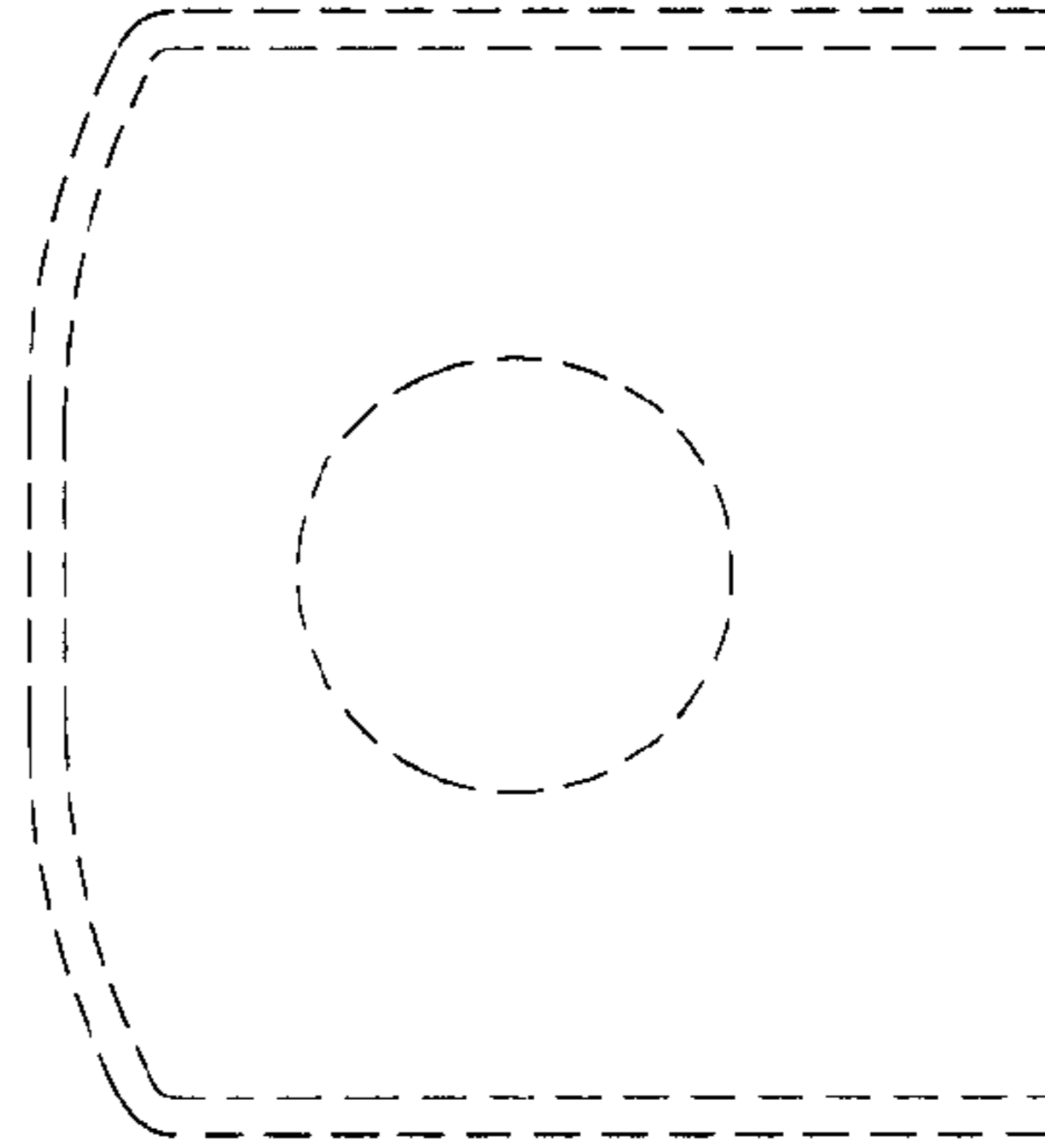


FIG. 7