

US00D528393S

(12) **United States Design Patent**  
**Stirm**

(10) **Patent No.:** **US D528,393 S**

(45) **Date of Patent:** **\*\* Sep. 19, 2006**

(54) **CORDLESS HAMMER**

(75) Inventor: **Michael Stirm**, Oberursel (DE)

(73) Assignee: **Black & Decker Inc.**, Newark, DE (US)

(\*\*) Term: **14 Years**

(21) Appl. No.: **29/241,282**

(22) Filed: **Oct. 26, 2005**

(30) **Foreign Application Priority Data**

Apr. 28, 2005 (EM) ..... 000332754

(51) **LOC (8) Cl.** ..... **08-02**

(52) **U.S. Cl.** ..... **D8/69**

(58) **Field of Classification Search** ..... D8/14.1,  
D8/61, 62, 63, 64, 65, 66, 67, 68, 69, 70;  
81/57.11, 429, 464, 465, 466, 469, 489; 173/13,  
173/104, 114, 168, 169, 170, 171, 178, 201,  
173/211, 213, 217; 408/20, 124, 125, 234,  
408/241 R; 451/358; 310/50; 227/8, 114,  
227/120, 130, 136, 142

See application file for complete search history.

(56) **References Cited**

**U.S. PATENT DOCUMENTS**

D310,936 S \* 10/1990 Saito et al. .... D8/67  
D316,020 S \* 4/1991 Fushiya et al. .... D8/61

5,653,296 A \* 8/1997 Fujiyama ..... 173/170  
D442,452 S \* 5/2001 Stirm et al. .... D8/69  
6,412,572 B1 \* 7/2002 Habedank et al. .... 310/50  
D474,092 S \* 5/2003 Stirm ..... D8/69  
D491,438 S \* 6/2004 Cheung et al. .... D8/68  
6,971,456 B1 \* 12/2005 Yamada et al. .... 173/168  
2001/0040036 A1 \* 11/2001 Habedank et al. .... 310/50  
2003/0094294 A1 \* 5/2003 Fritz ..... 173/171  
2004/0211575 A1 \* 10/2004 Soika et al. .... 173/217  
2004/0231871 A1 \* 11/2004 Arich et al. .... 173/217  
2004/0251041 A1 \* 12/2004 Grossman ..... 173/217  
2005/0034883 A1 \* 2/2005 Yamada et al. .... 173/217

\* cited by examiner

*Primary Examiner*—T. Chase Nelson

(74) *Attorney, Agent, or Firm*—Michael P. Leary; Charles E. Yocum; Adan Ayala

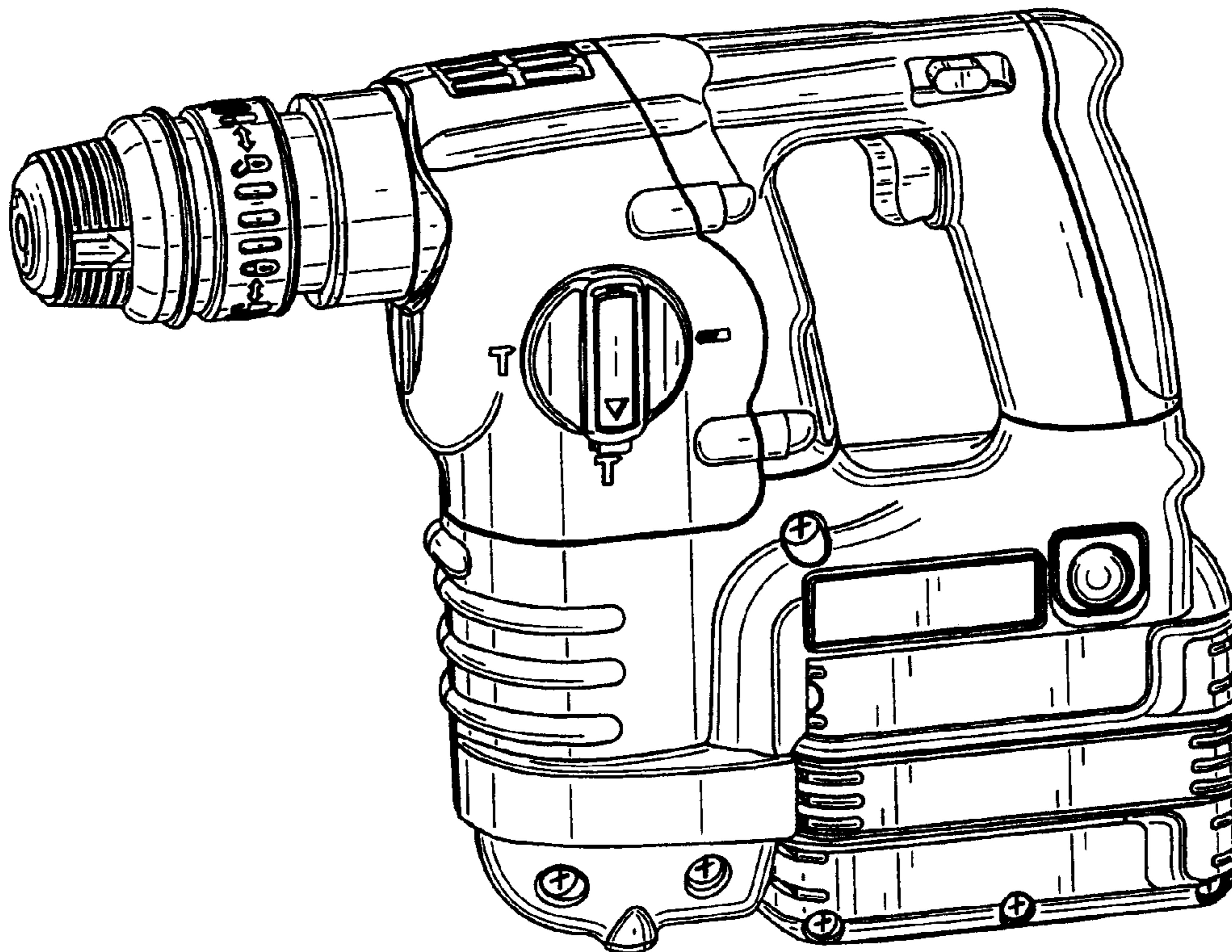
(57) **CLAIM**

The ornamental design for a cordless hammer, as shown and described.

**DESCRIPTION**

FIG. 1 is a left/front perspective view of a cordless hammer. FIG. 2 is a left side elevational view thereof. FIG. 3 is a right side elevational view thereof. FIG. 4 is a front elevational view thereof. FIG. 5 is a rear elevational view thereof. FIG. 6 is a top view thereof; and, FIG. 7 is a bottom view thereof.

**1 Claim, 5 Drawing Sheets**



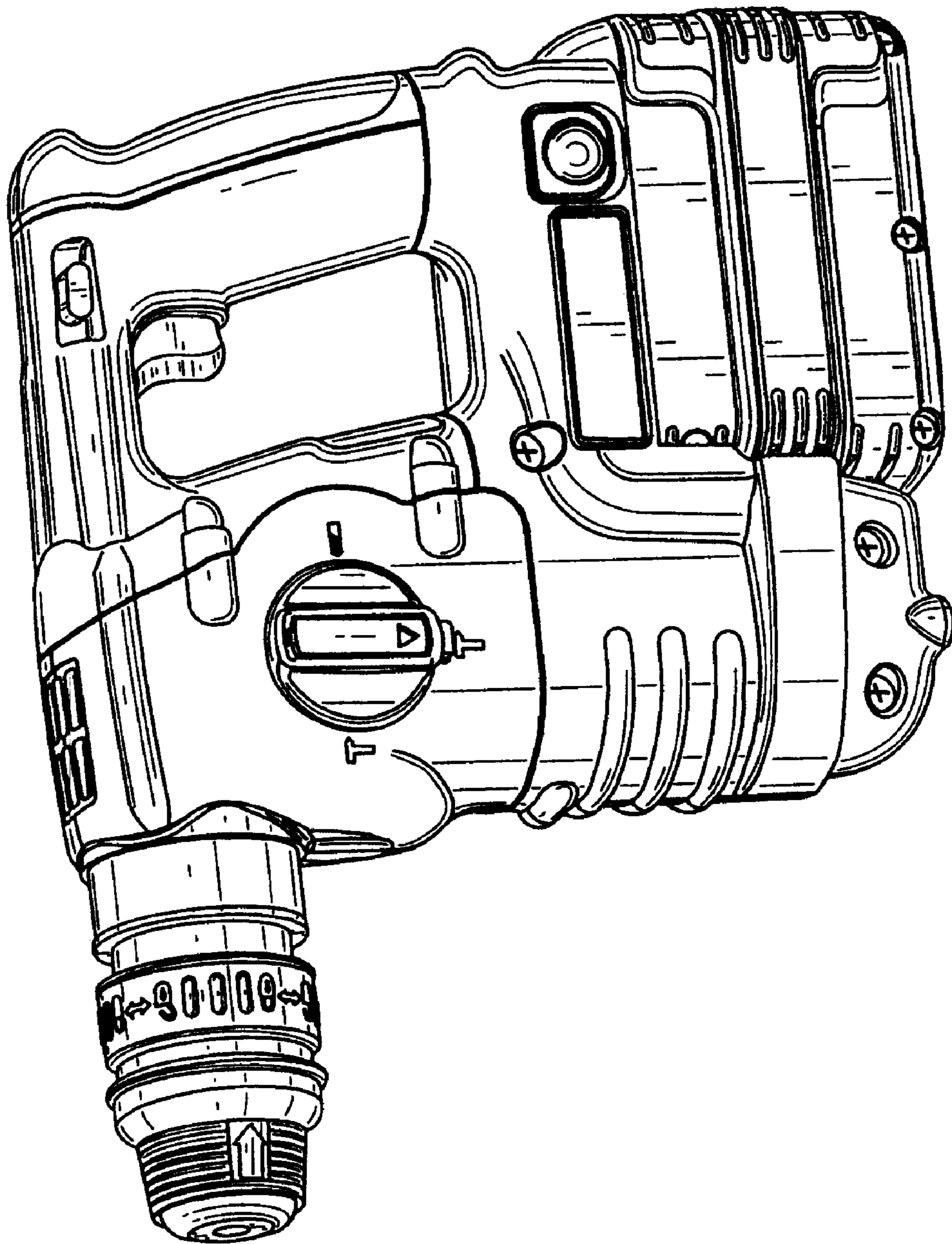


FIG. 1

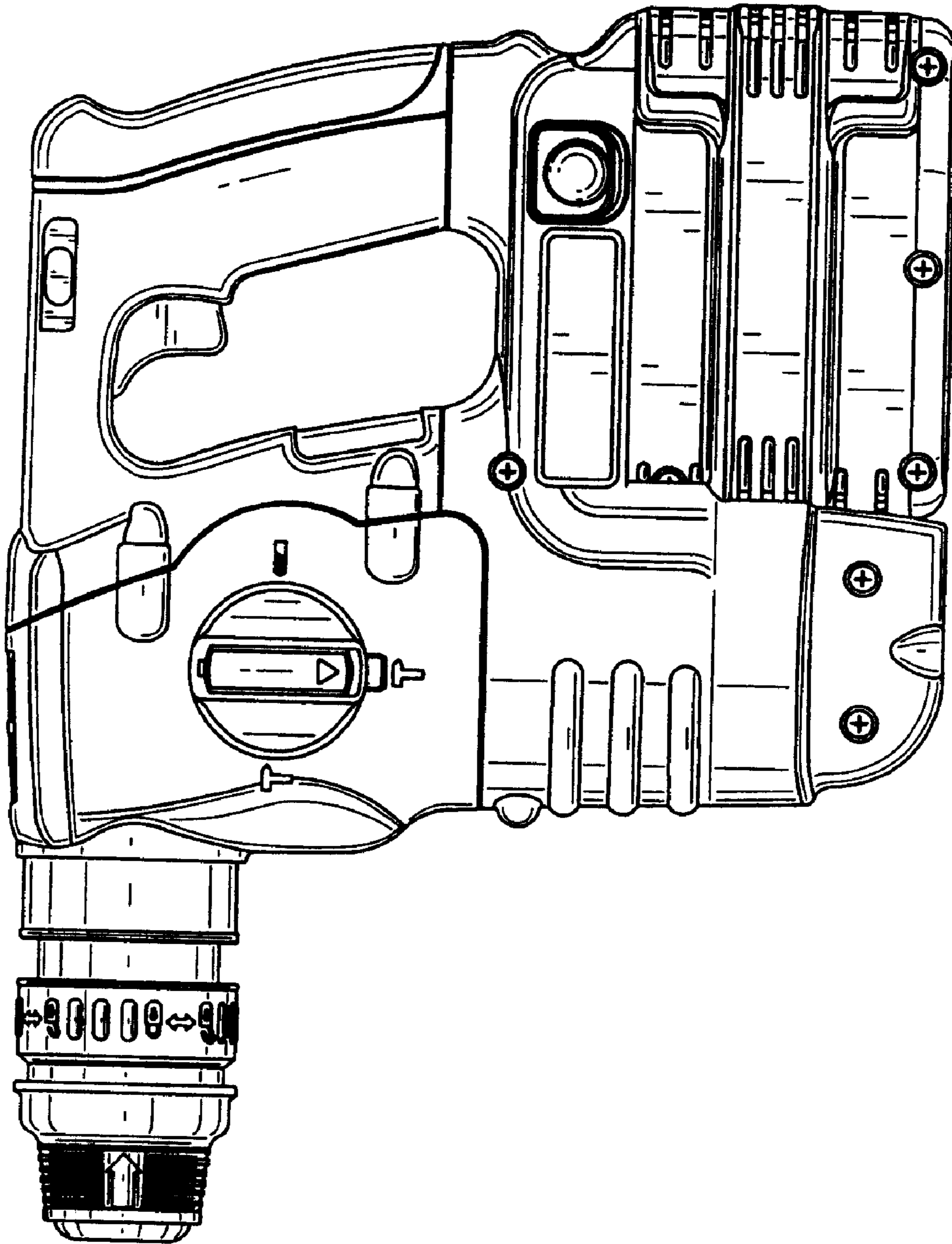


FIG. 2

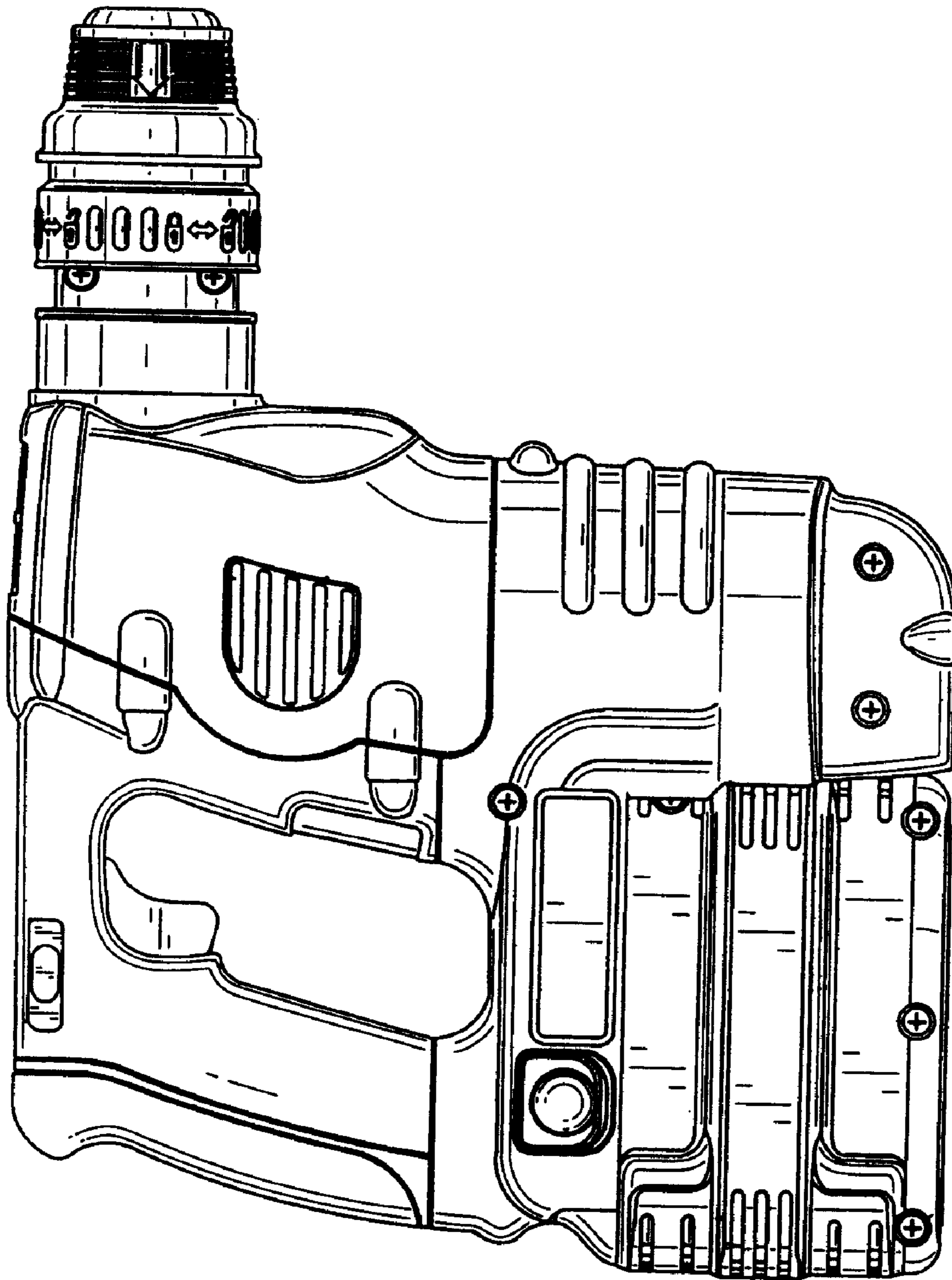


FIG. 3

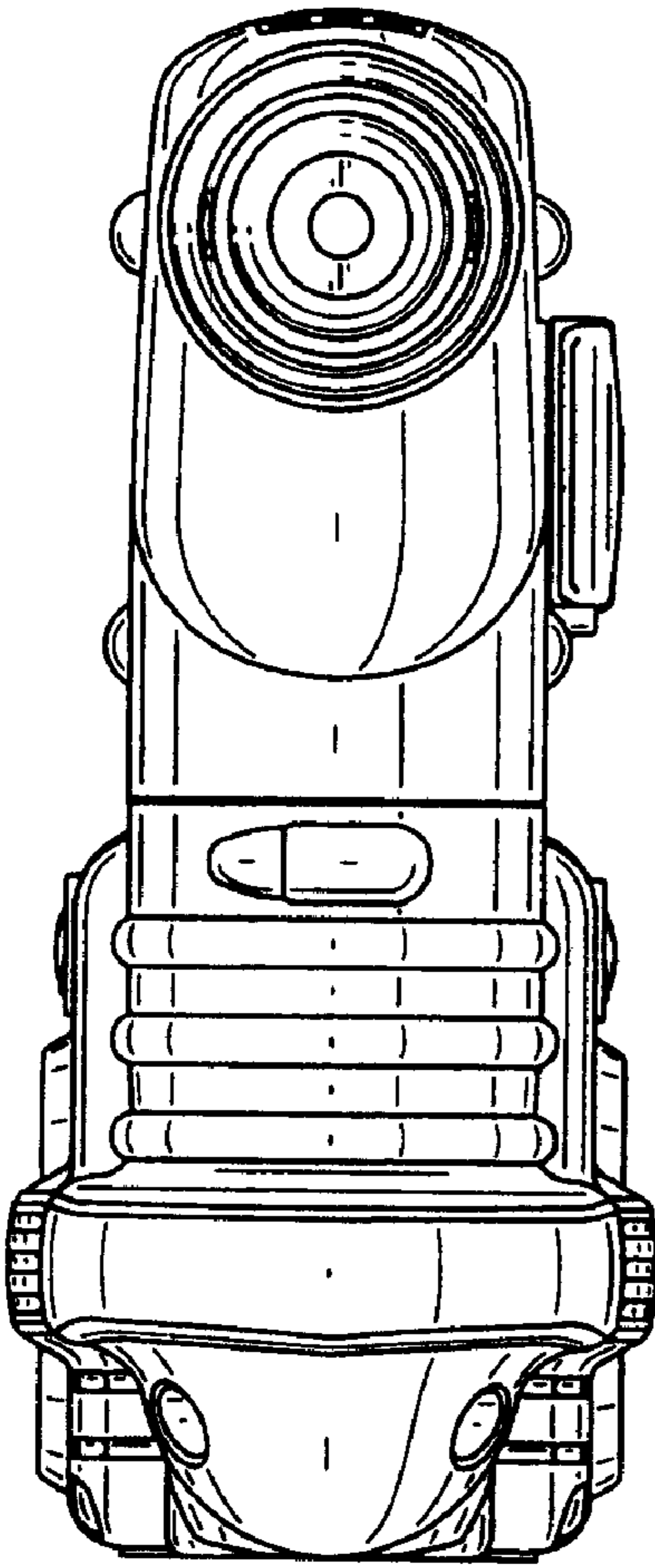


FIG. 4

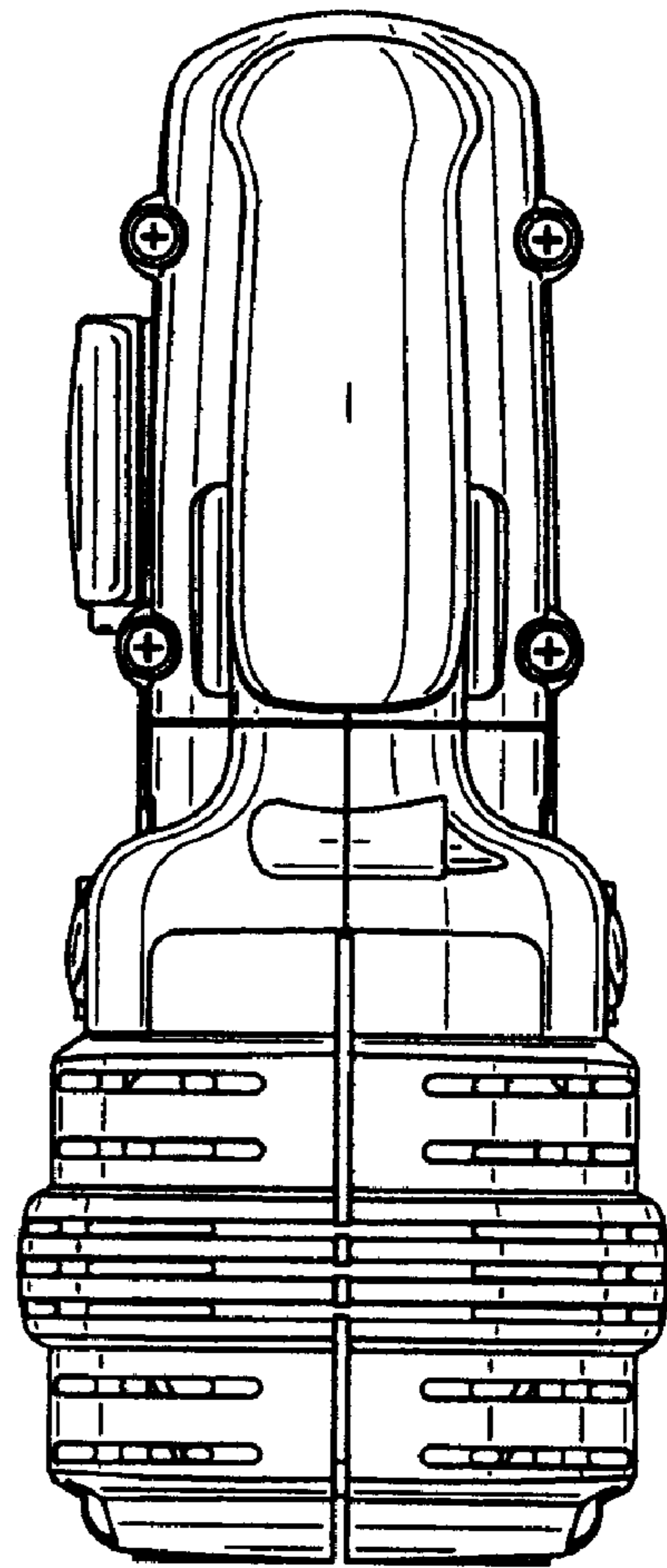


FIG. 5

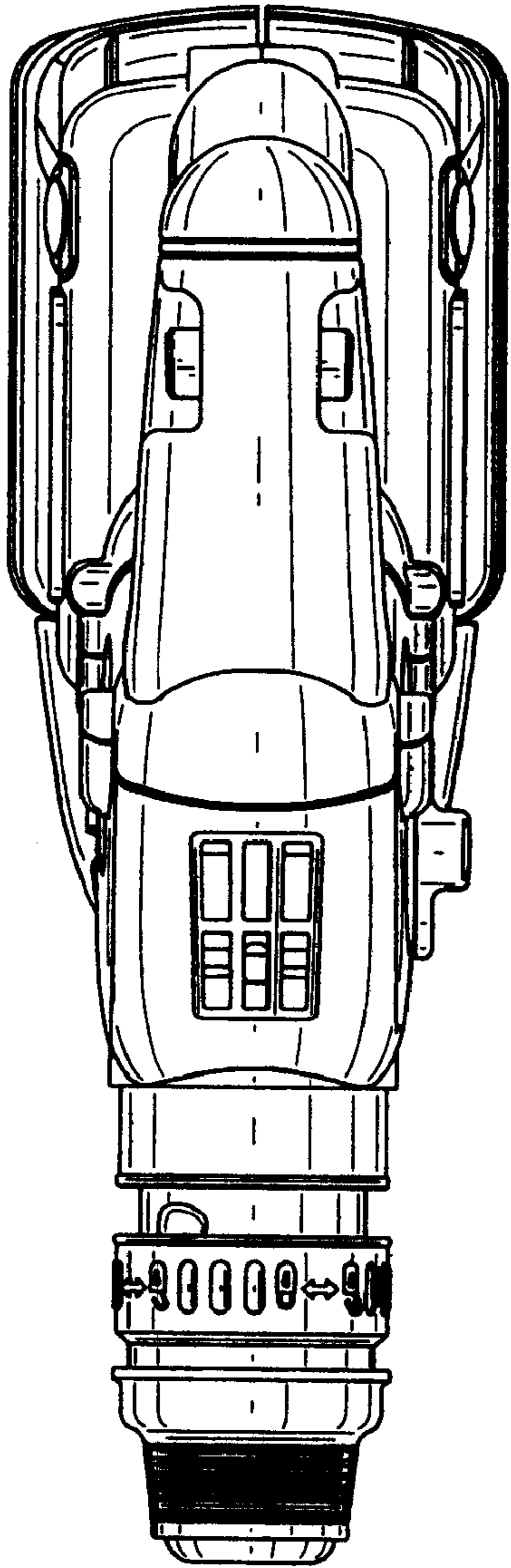


FIG. 6

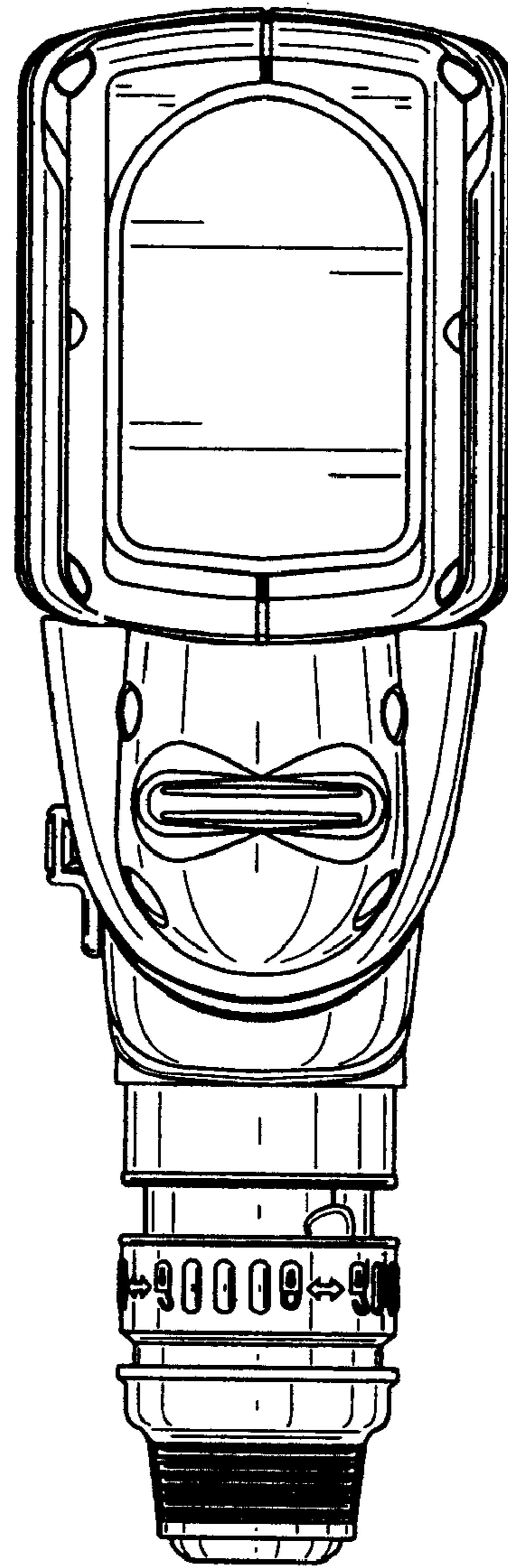


FIG. 7