



US00D528392S

(12) **United States Design Patent**  
**Koch et al.**

(10) **Patent No.:** **US D528,392 S**

(45) **Date of Patent:** **\*\* Sep. 19, 2006**

(54) **HAND HELD, ELECTRICALLY OPERATED  
DRILL**

(75) Inventors: **Michael Koch**, Pliezhausen (DE);  
**Truong Quy-Nam**, Bellach (CH);  
**Daniel Brogli**, Arlesheim (CH)

(73) Assignee: **Robert Bosch GmbH**, Stuttgart (DE)

(\*\*) Term: **14 Years**

(21) Appl. No.: **29/182,776**

(22) Filed: **May 29, 2003**

(30) **Foreign Application Priority Data**

Dec. 2, 2002 (DE) ..... 4 02 09 961

(51) **LOC (8) Cl.** ..... **08-01**

(52) **U.S. Cl.** ..... **D8/68**

(58) **Field of Classification Search** ..... D8/14.1,  
D8/61, 62, 63, 64, 65, 66, 67, 68, 69, 70;  
81/57.11, 429, 464, 465, 466, 469, 489; 173/13,  
173/169, 178, 213, 217; 227/8, 114, 120,  
227/130, 136, 142; 310/50; 408/20, 124,  
408/125, 234, 241 R; 451/358

See application file for complete search history.

(56) **References Cited**

**U.S. PATENT DOCUMENTS**

D340,394 S \* 10/1993 Okumura ..... D8/68  
D359,215 S \* 6/1995 Zurwelle ..... D8/68  
D362,167 S \* 9/1995 Zurwelle ..... D8/68  
D368,009 S \* 3/1996 Zurwelle ..... D8/68

(Continued)

**FOREIGN PATENT DOCUMENTS**

GB 2051165 S \* 10/1995  
GB 2054777 S \* 3/1996  
GB 2065434 S \* 5/1997  
GB 2096820 S \* 4/2000  
GB 2097667 S \* 4/2000  
GB 2097668 S \* 4/2000  
GB 2097669 S \* 4/2000

GB 2097670 S \* 4/2000  
GB 2097671 S \* 4/2000  
GB 2104250 S \* 3/2001  
GB 3000004 S \* 12/2001  
GB 3001389 \* 2/2002  
GB 3012960 S \* 5/2003

*Primary Examiner*—Janice E. Seeger  
*Assistant Examiner*—T. Chase Nelson

(74) *Attorney, Agent, or Firm*—Michael J. Striker

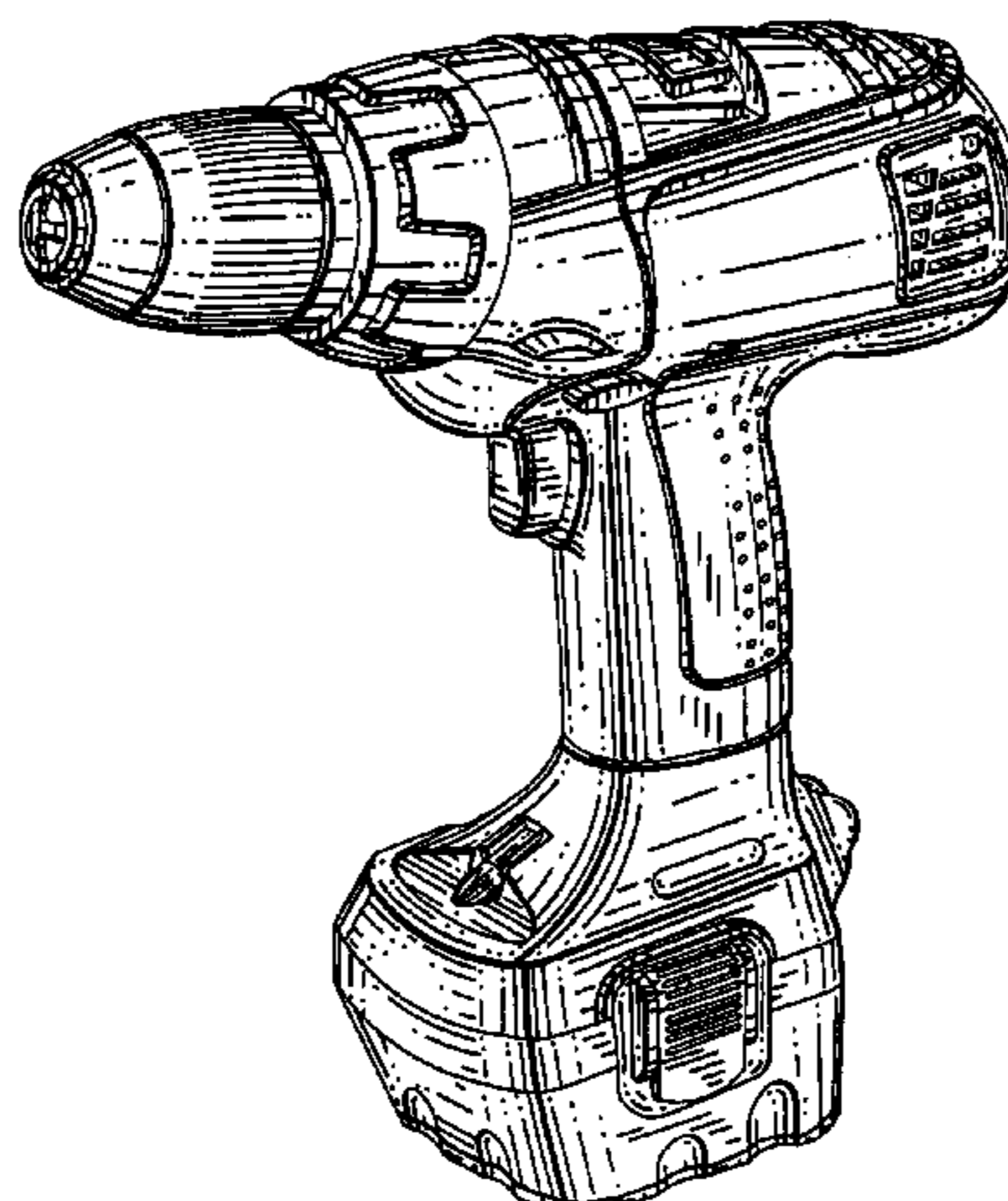
(57) **CLAIM**

The ornamental design for a hand held, electrically operated drill, as shown and described.

**DESCRIPTION**

FIG. 1 is a perspective view of a hand held, electrically operated drill showing my new design;  
FIG. 2 is a side view thereof;  
FIG. 3 is the opposite side view thereof;  
FIG. 4 is a front view thereof;  
FIG. 5 is a rear view thereof;  
FIG. 6 is a top view thereof;  
FIG. 7 is a bottom view thereof;  
FIG. 8 is a perspective view of a first alternate embodiment of a hand held, electrically operated drill showing my new design;  
FIG. 9 is a side view thereof;  
FIG. 10 is the opposite side view thereof;  
FIG. 11 is a front view thereof;  
FIG. 12 is a rear view thereof;  
FIG. 13 is a top view thereof;  
FIG. 14 is a bottom view thereof;  
FIG. 15 is a perspective view of a second alternate embodiment of a hand held, electrically operated drill showing my new design;  
FIG. 16 is a side view thereof;  
FIG. 17 is the opposite side view thereof;  
FIG. 18 is a front view thereof;  
FIG. 19 is a rear view thereof;  
FIG. 20 is a top view thereof; and,  
FIG. 21 is a bottom view thereof.

**1 Claim, 21 Drawing Sheets**



# US D528,392 S

Page 2

## U.S. PATENT DOCUMENTS

D386,662 S	*	11/1997	Tozawa et al.	.....	D8/68
D392,863 S	*	3/1998	Sugimoto et al.	.....	D8/68
D402,871 S	*	12/1998	Clowers et al.	.....	D8/68
D402,872 S	*	12/1998	Clowers et al.	.....	D8/68
5,918,685 A	*	7/1999	Ulbrich et al.	.....	173/217
D419,413 S	*	1/2000	Heun	.....	D8/68
D420,877 S	*	2/2000	Schultz	.....	D8/68
D421,883 S	*	3/2000	Watson et al.	.....	D8/68
D424,902 S	*	5/2000	Gildersleeve et al.	.....	D8/68
D428,320 S	*	7/2000	Ohi et al.	.....	D8/68
D435,414 S	*	12/2000	Etter et al.	.....	D8/68
D436,511 S	*	1/2001	Hayakawa et al.	.....	D8/68
6,308,378 B1	*	10/2001	Mooty et al.	.....	81/489
D460,673 S	*	7/2002	Heun	.....	D8/68
D460,674 S	*	7/2002	Heun	.....	D8/68
D460,907 S	*	7/2002	Geis	.....	D8/68
D462,248 S	*	9/2002	Cooper	.....	D8/68
D467,147 S	*	12/2002	Watson	.....	D8/68
D467,483 S	*	12/2002	Heun	.....	D8/68
D469,675 S	*	2/2003	Chung	.....	D8/68
D478,262 S	*	8/2003	Chunn et al.	.....	D8/68
D482,253 S	*	11/2003	Cooper et al.	.....	D8/68
D496,843 S	*	10/2004	Sugawara et al.	.....	D8/68
6,840,335 B1	*	1/2005	Wu	.....	173/217
D501,385 S	*	2/2005	Cheung et al.	.....	D8/68
D501,779 S	*	2/2005	Watson	.....	D8/68
D506,914 S	*	7/2005	Okuda	.....	D8/68
2003/0002934 A1	*	1/2003	Hsu	.....	408/124
2003/0066667 A1	*	4/2003	Zhang	.....	173/217
2003/0159843 A1	*	8/2003	Sakai et al.	.....	173/217

\* cited by examiner

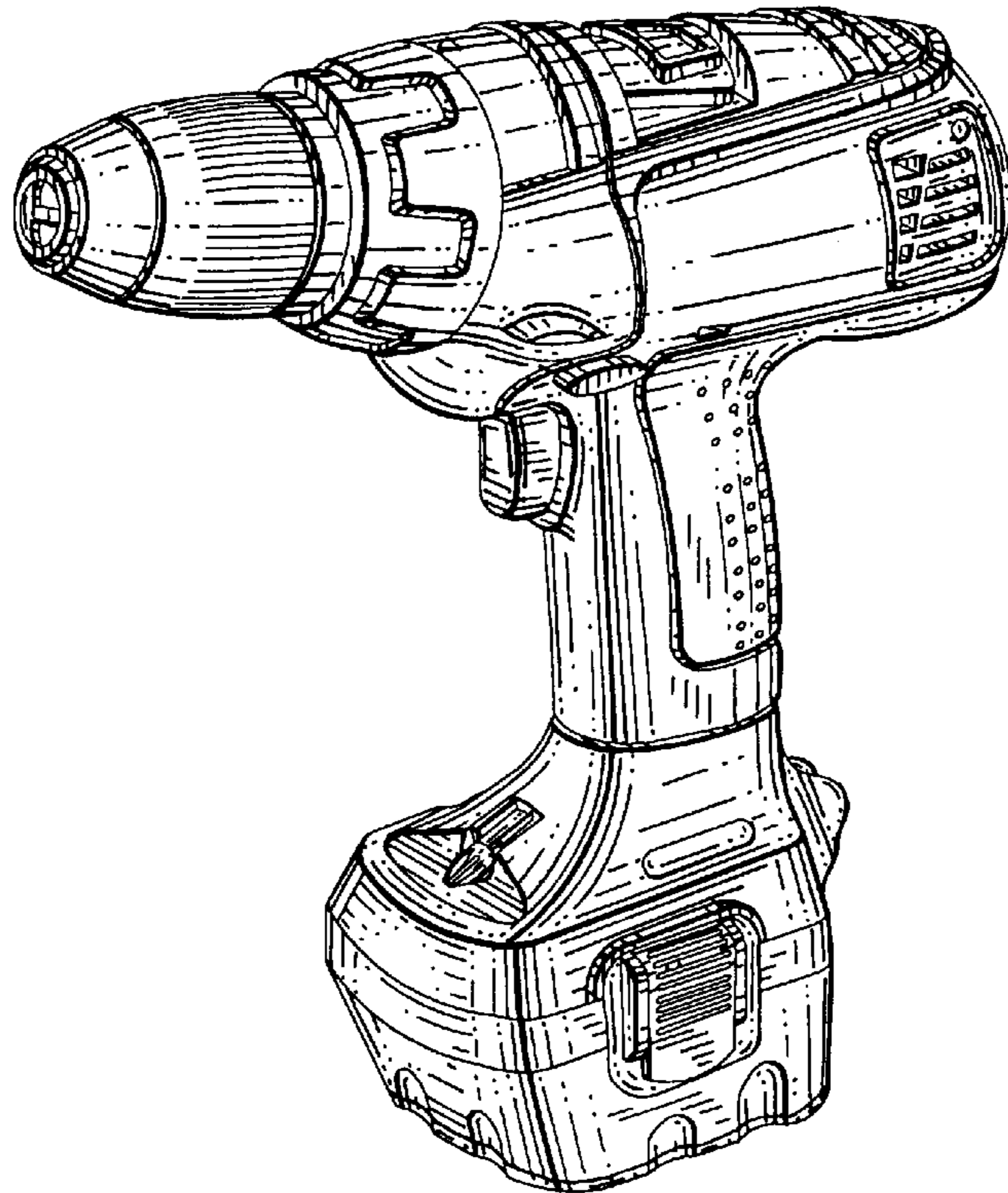


FIG. 1

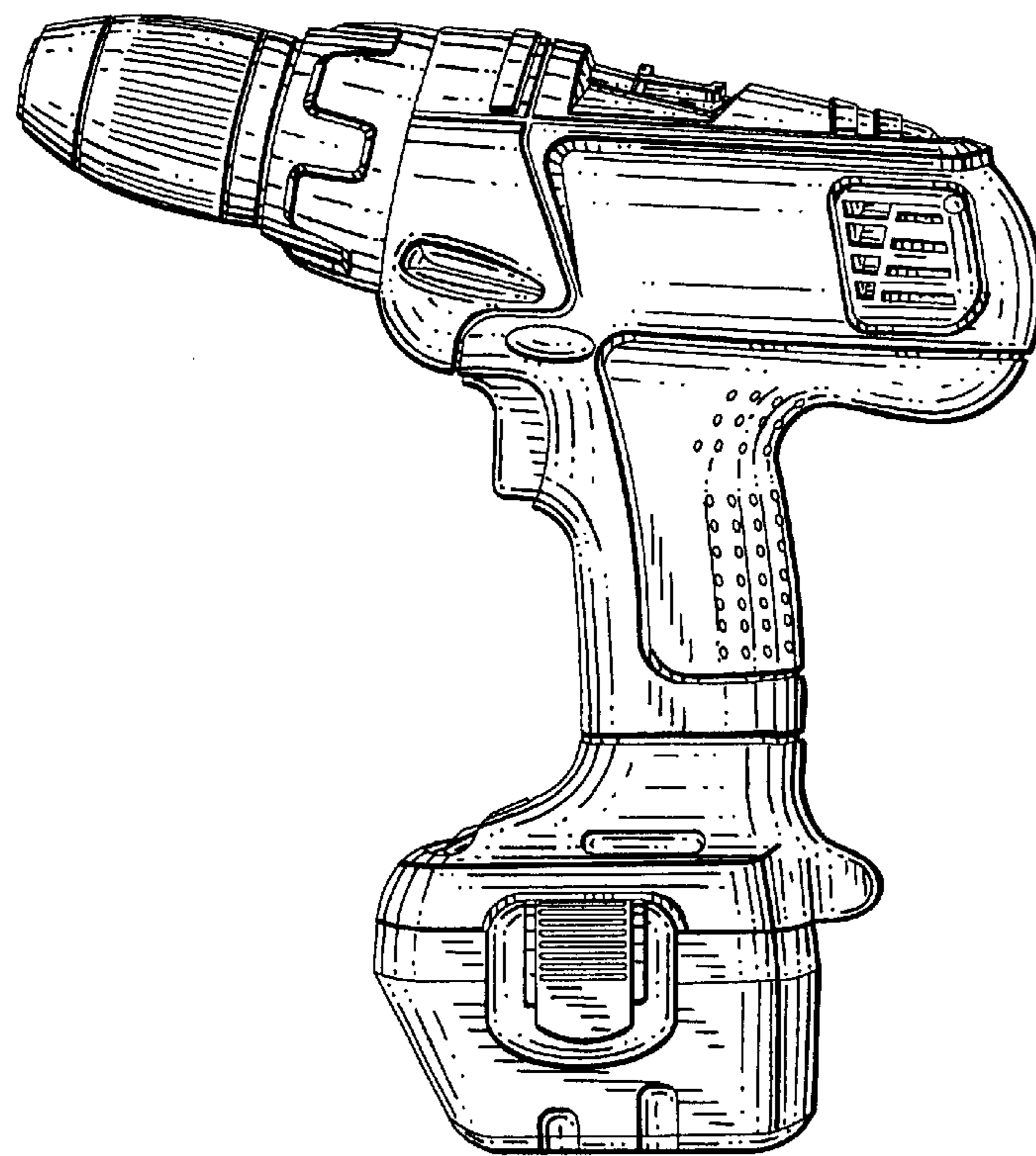


FIG. 2

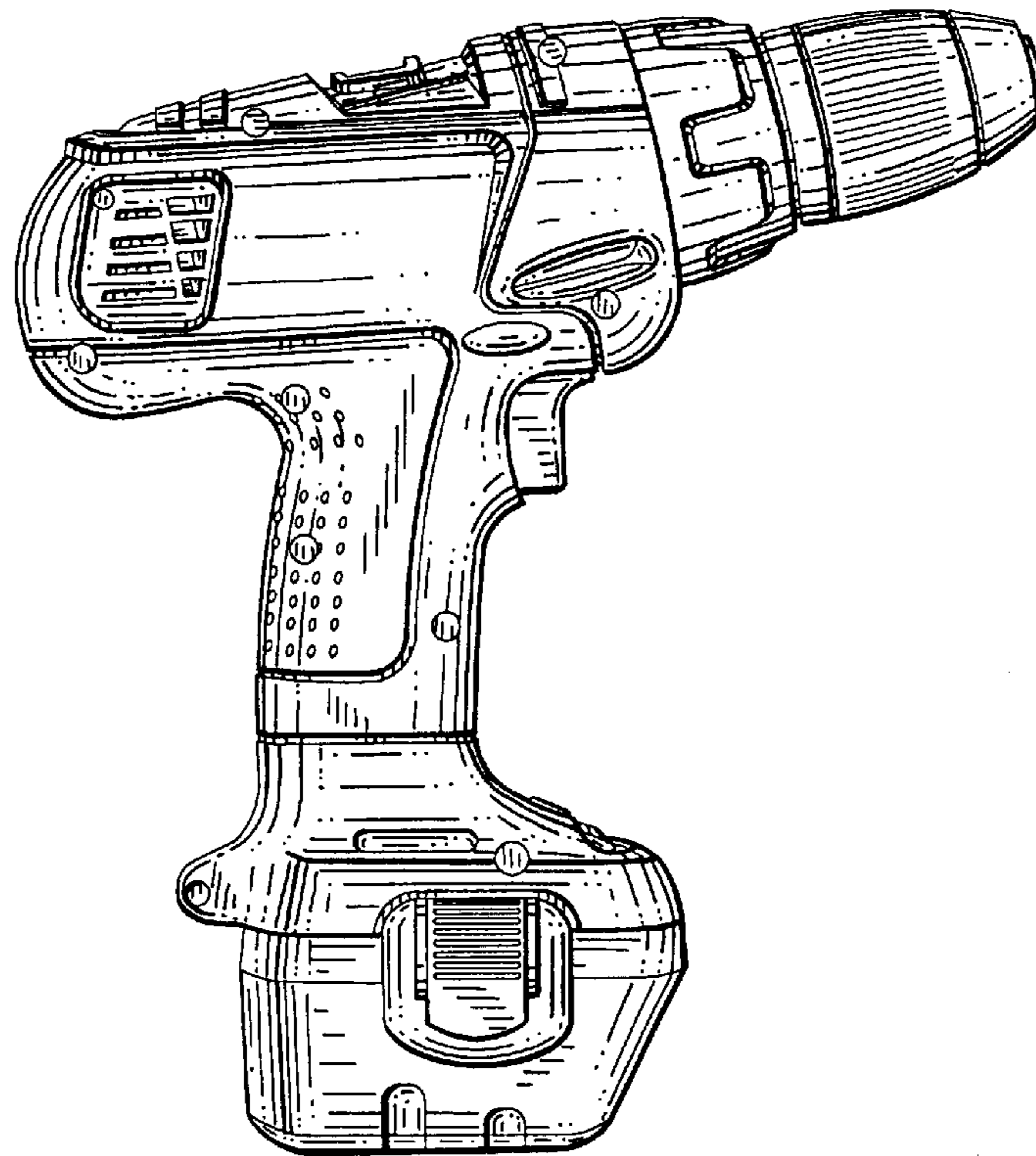


FIG. 3

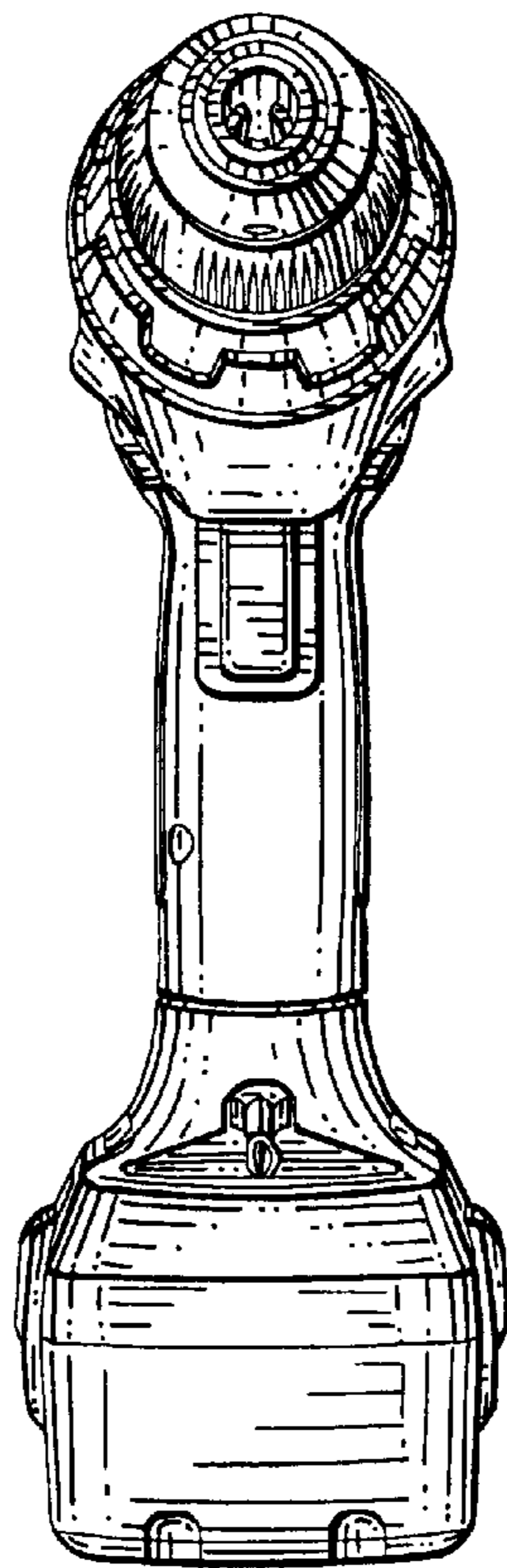


FIG. 4

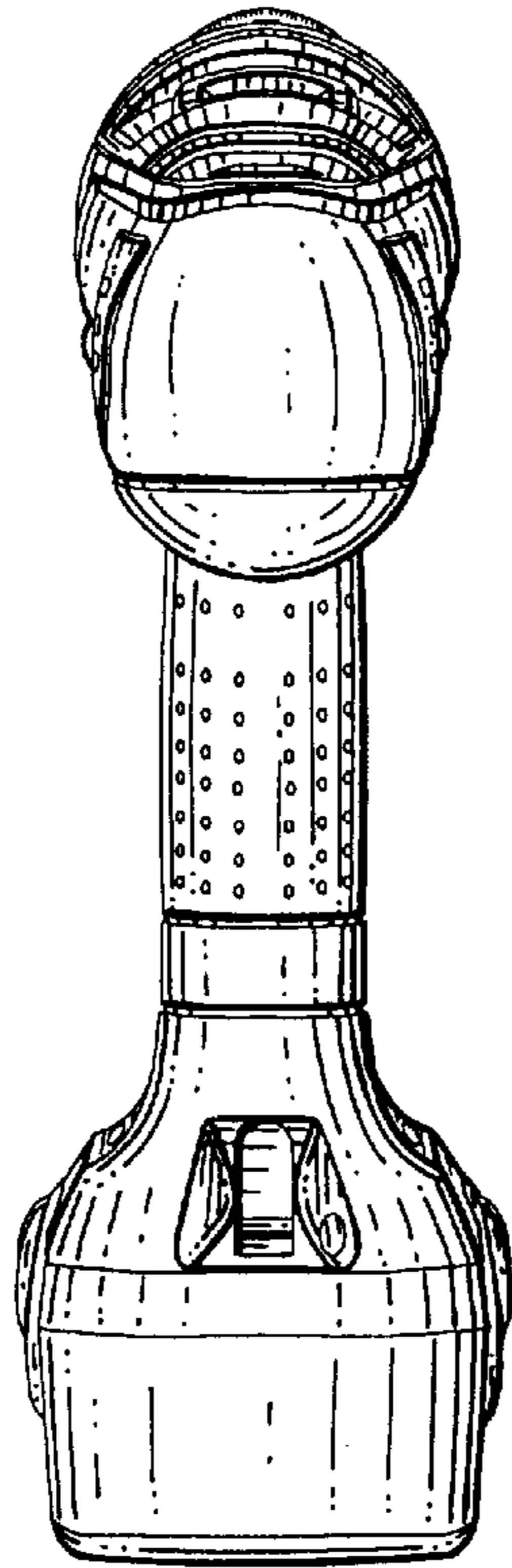


FIG. 5

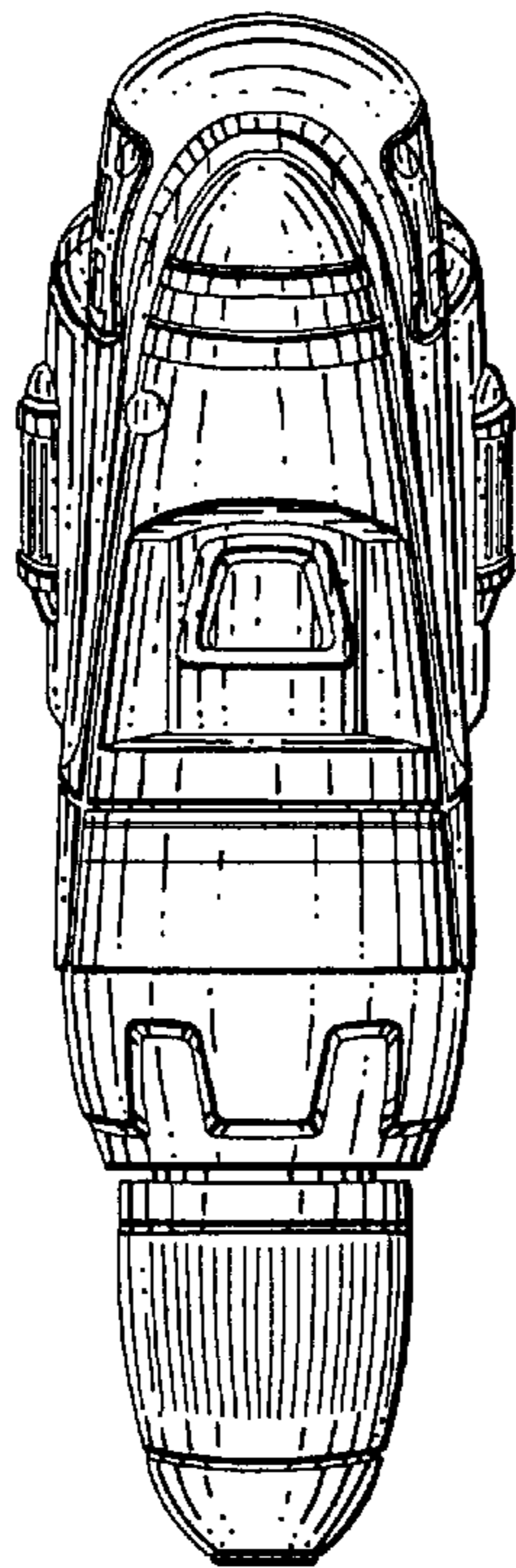


FIG. 6



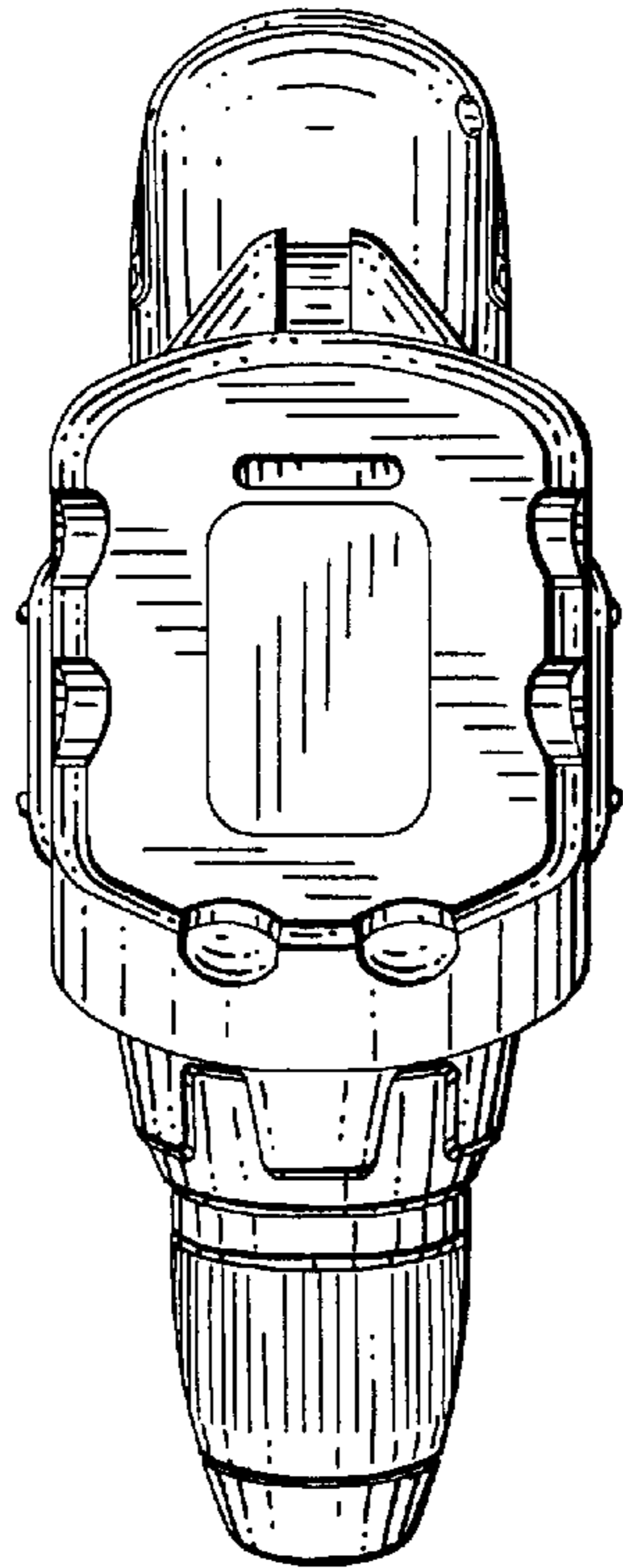


FIG. 7

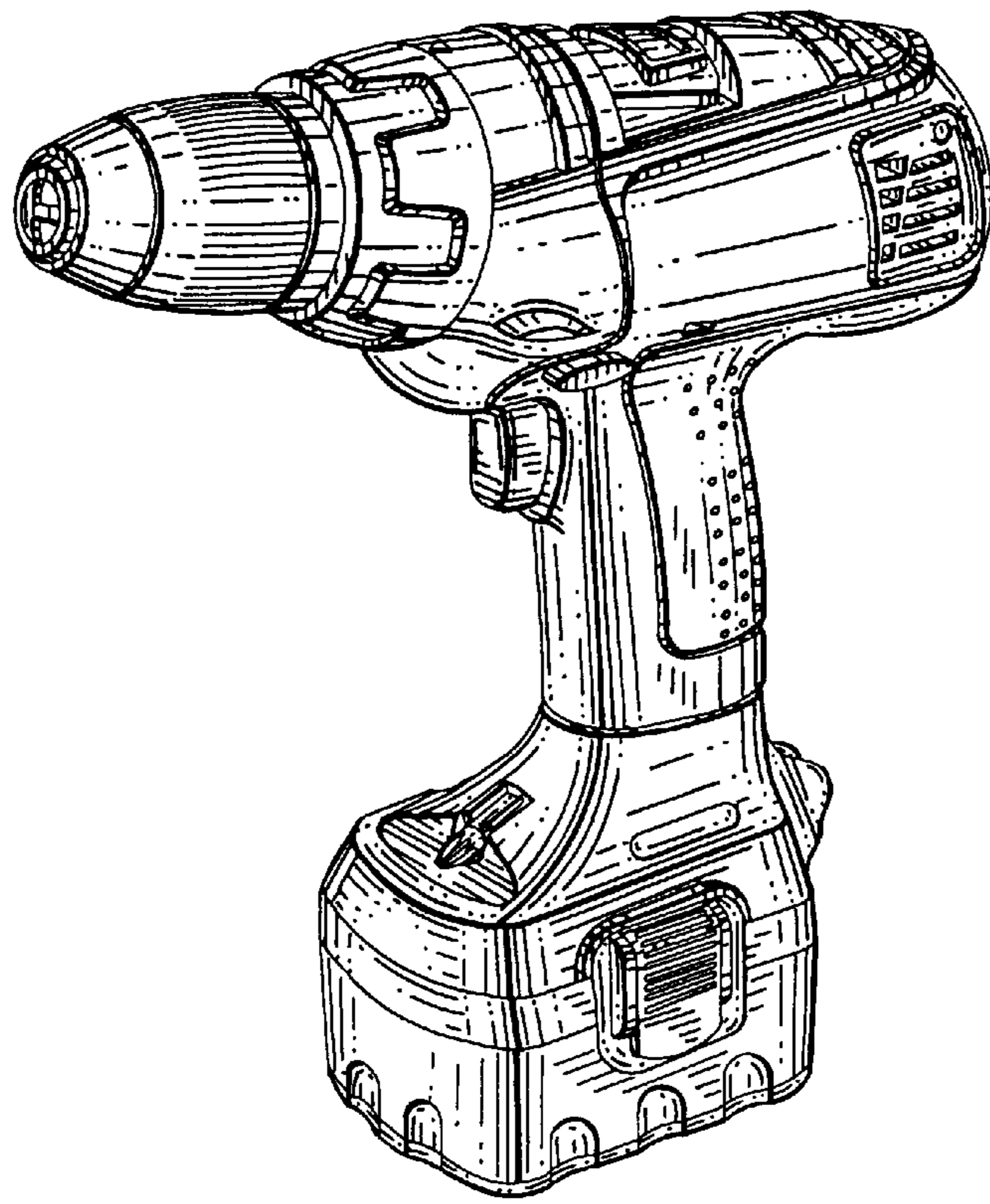


FIG. 8

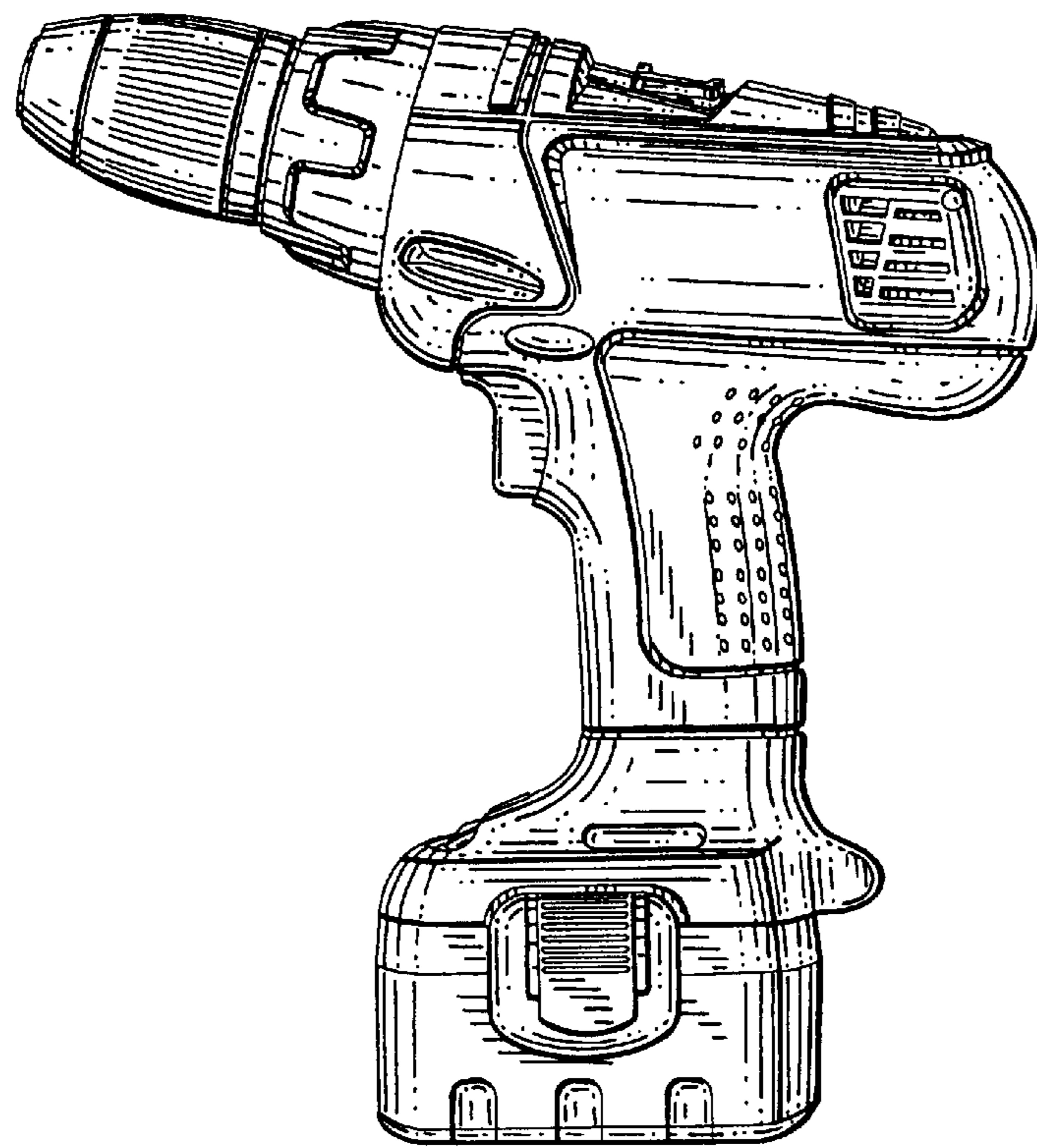


FIG. 9

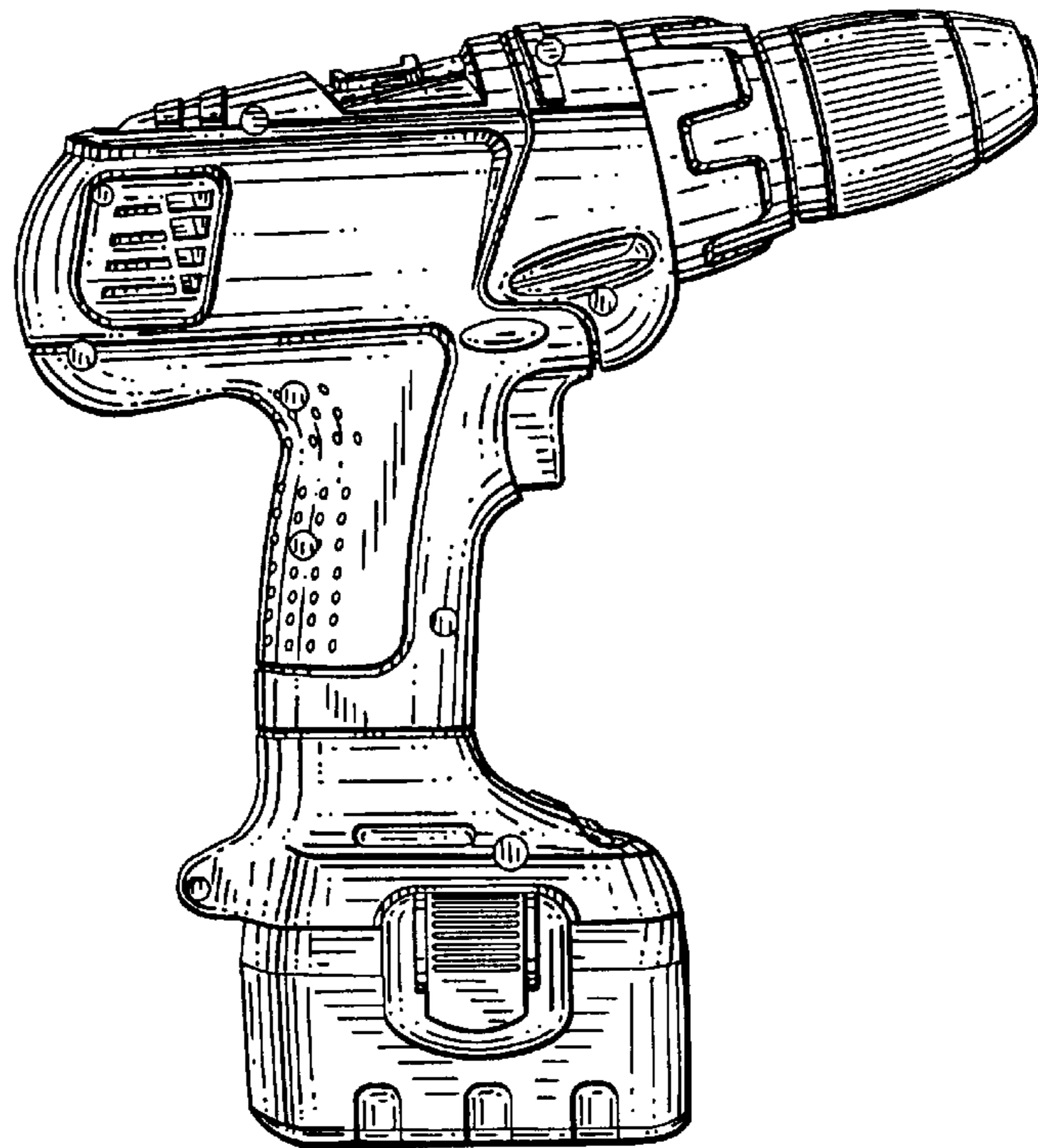
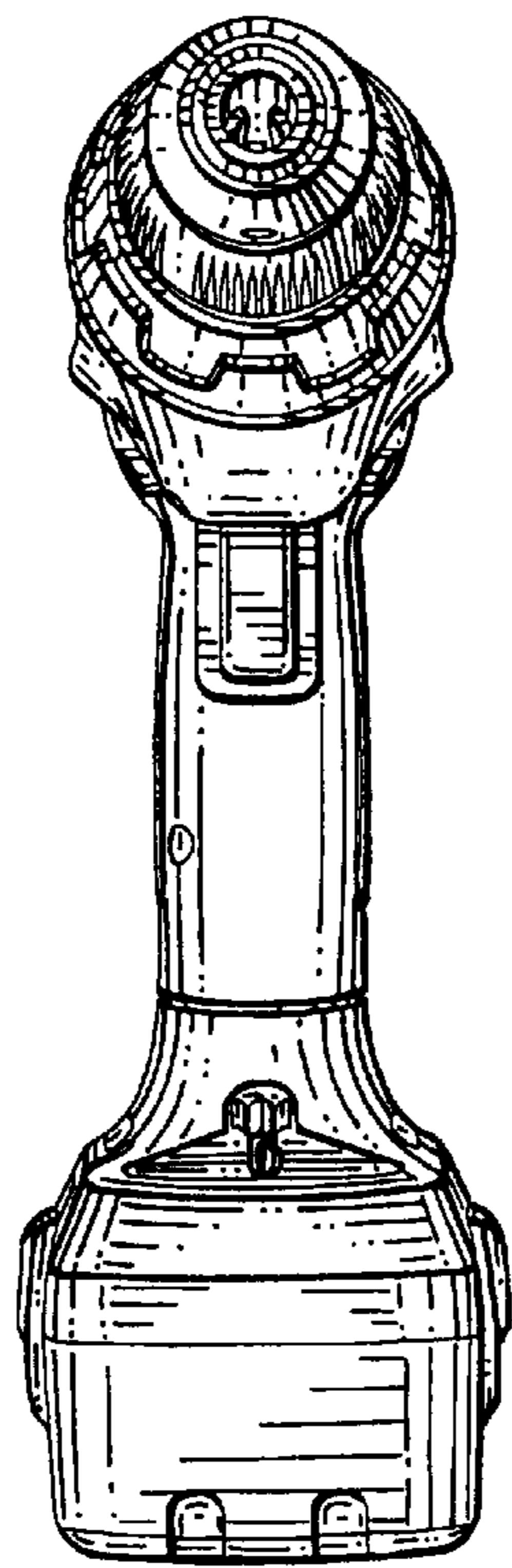


FIG. 10



*FIG. 11*

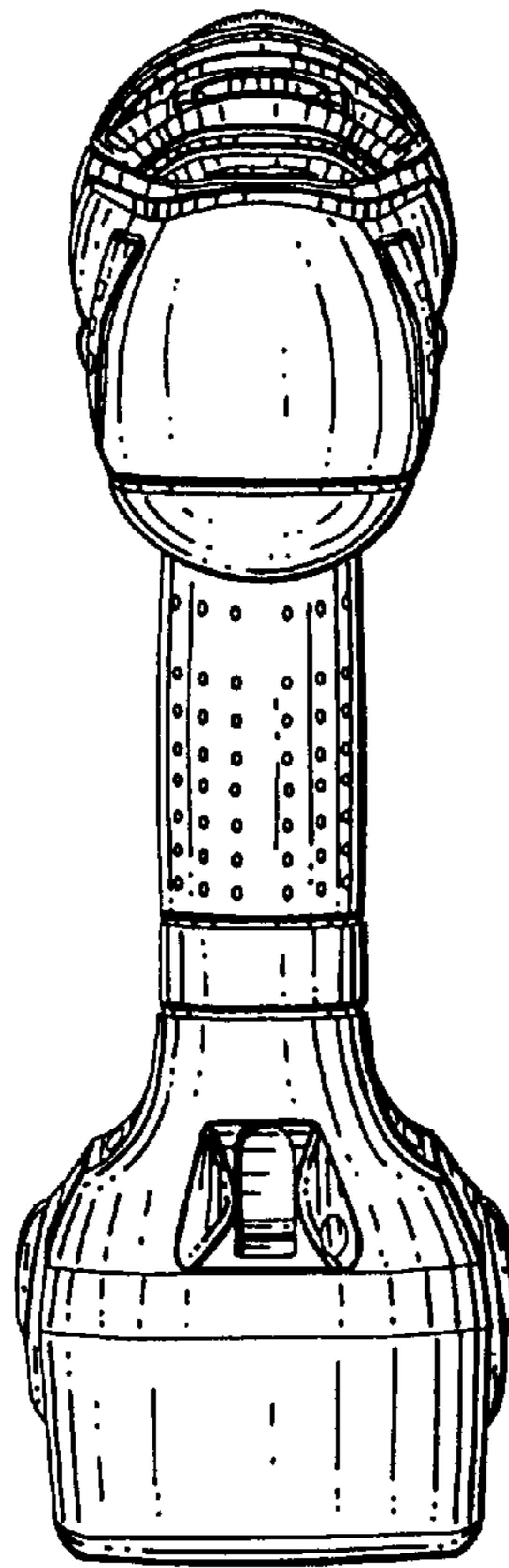


FIG. 12

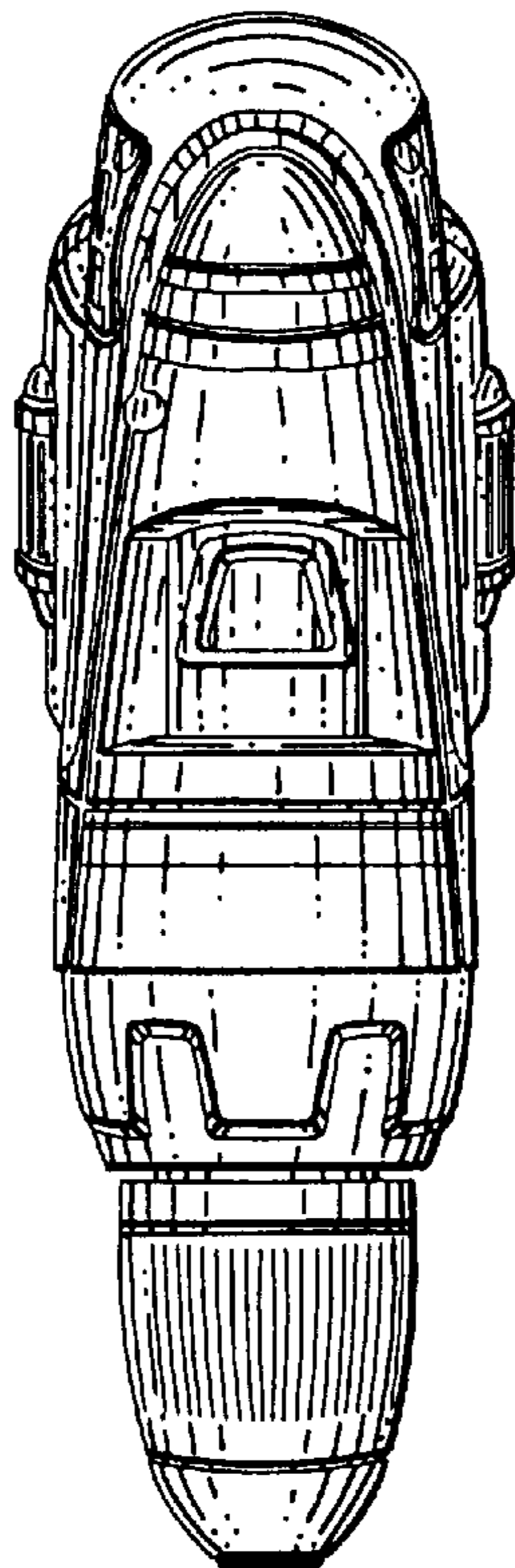


FIG. 13

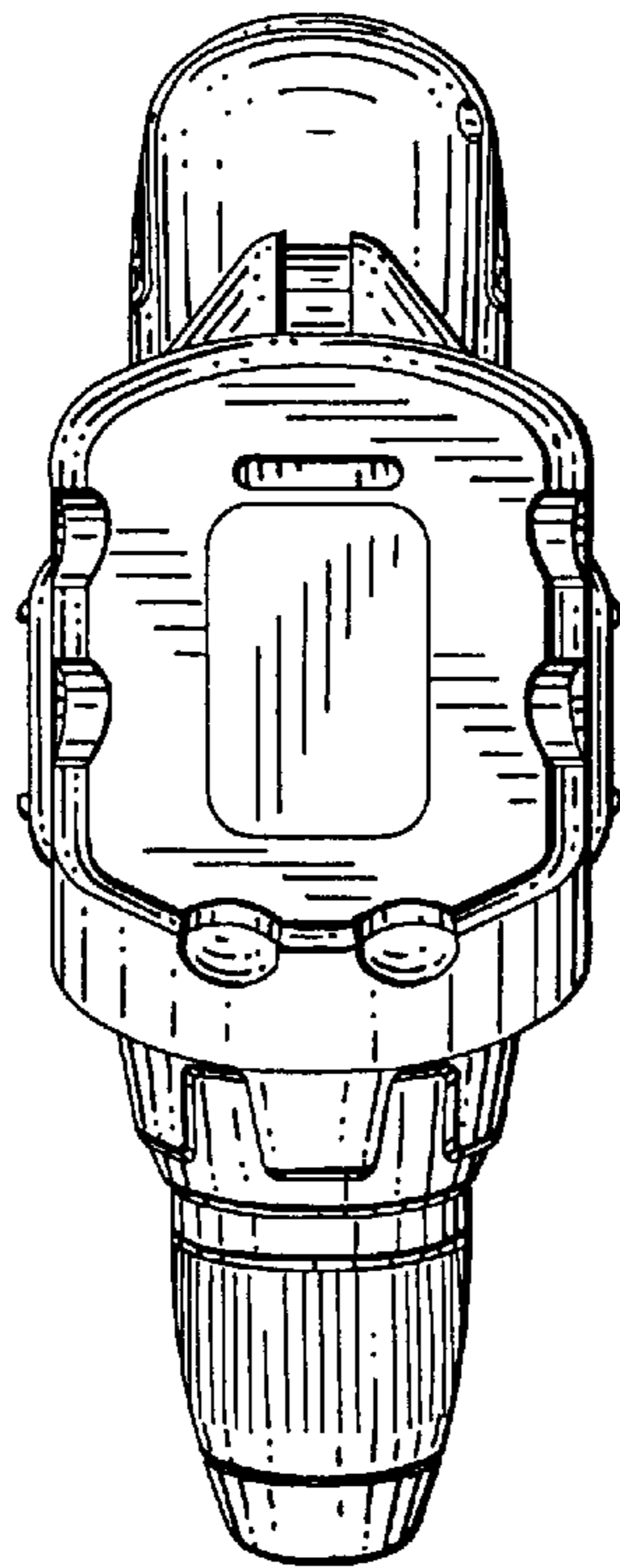


FIG. 14



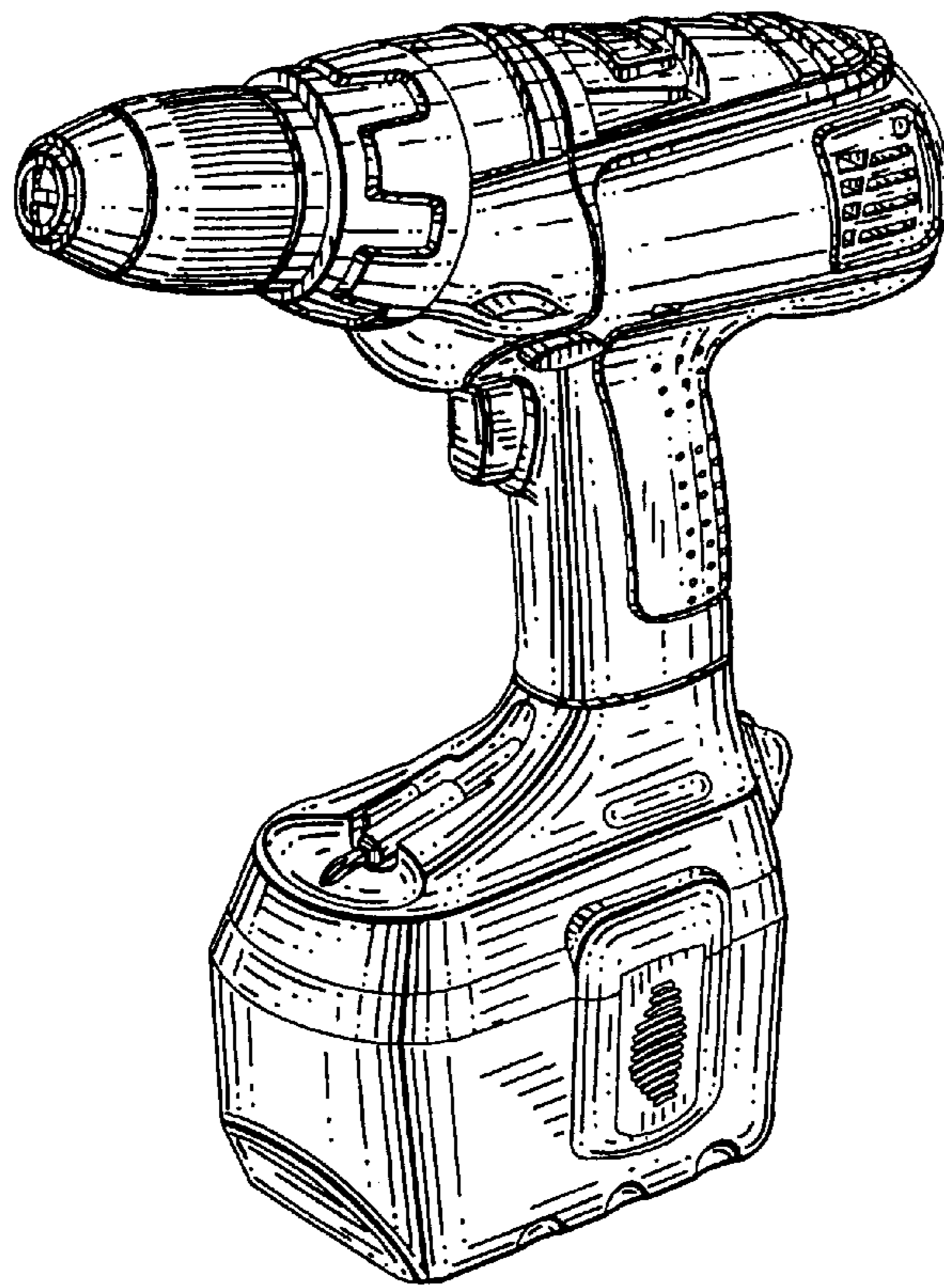


FIG. 15

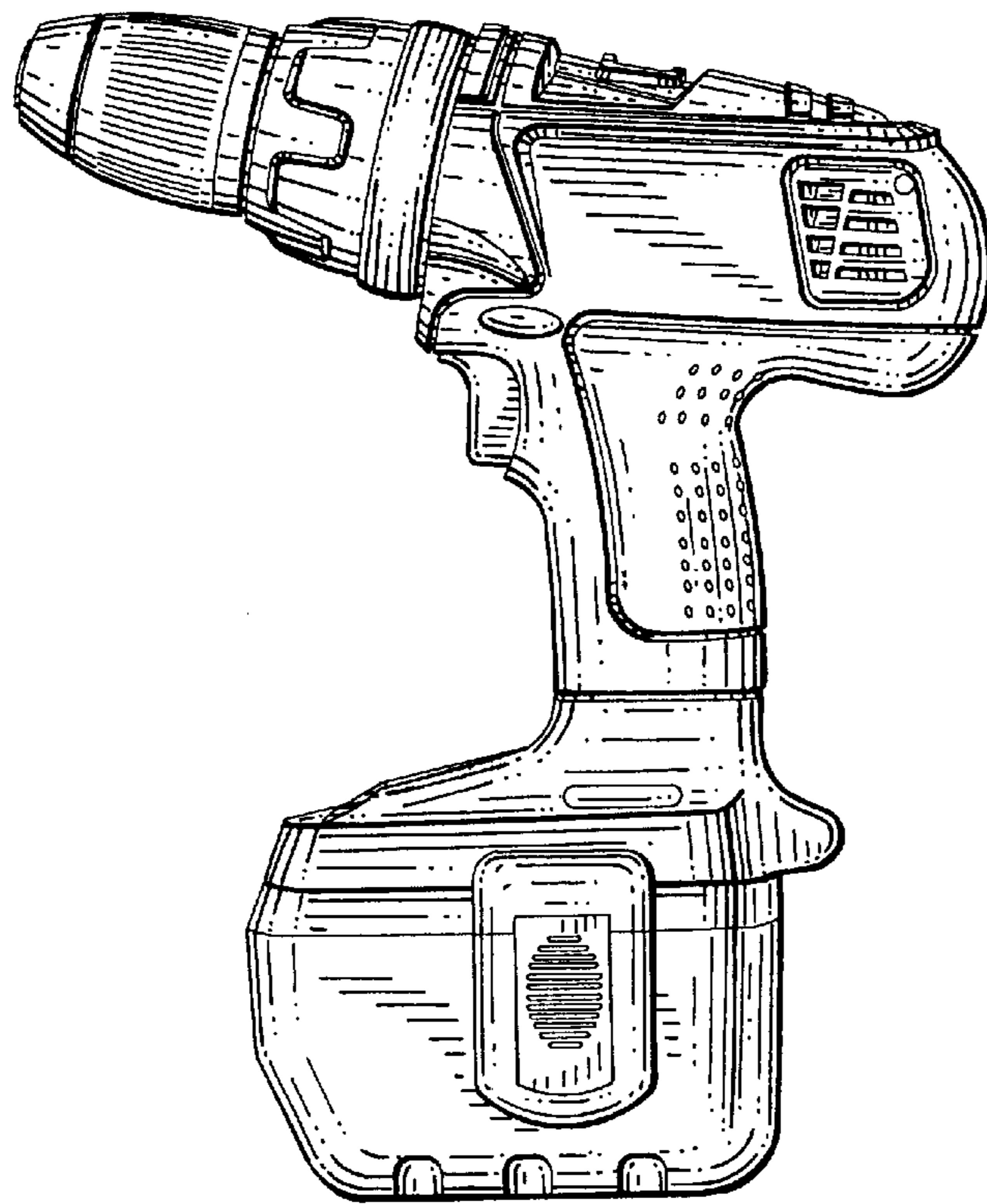


FIG. 16

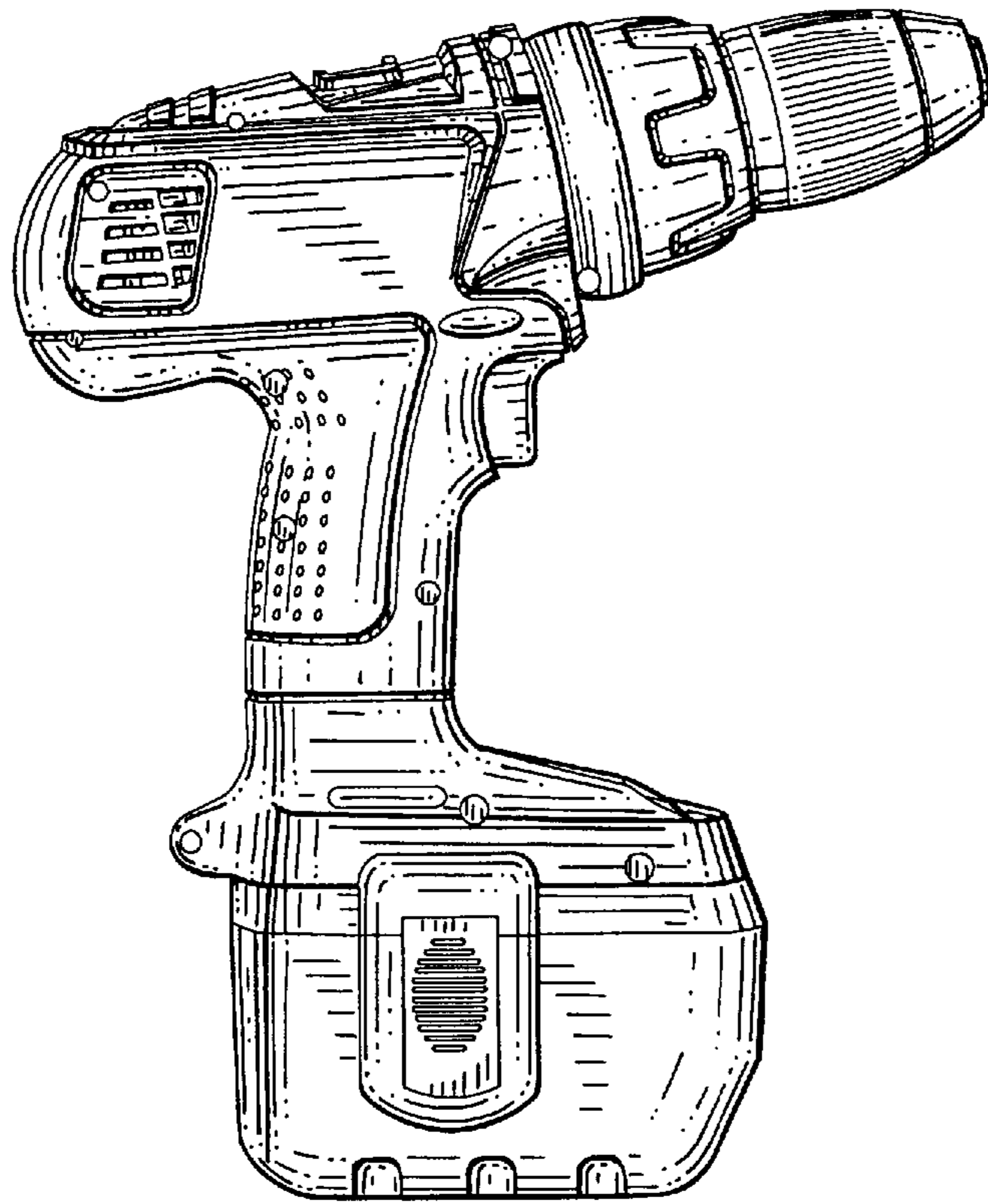


FIG. 17

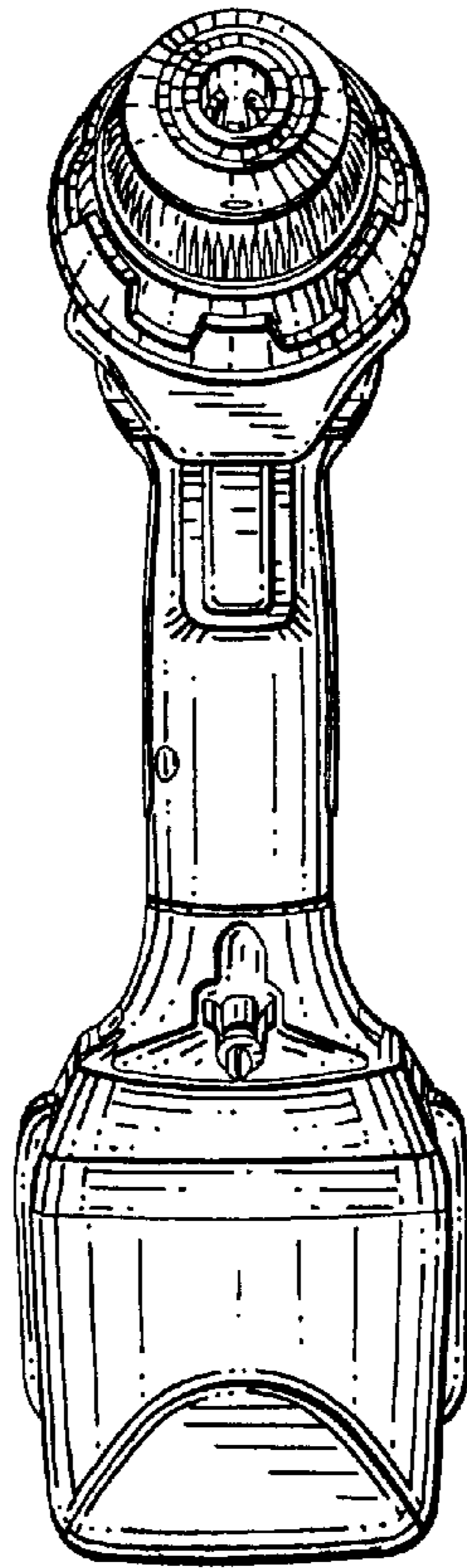


FIG. 18

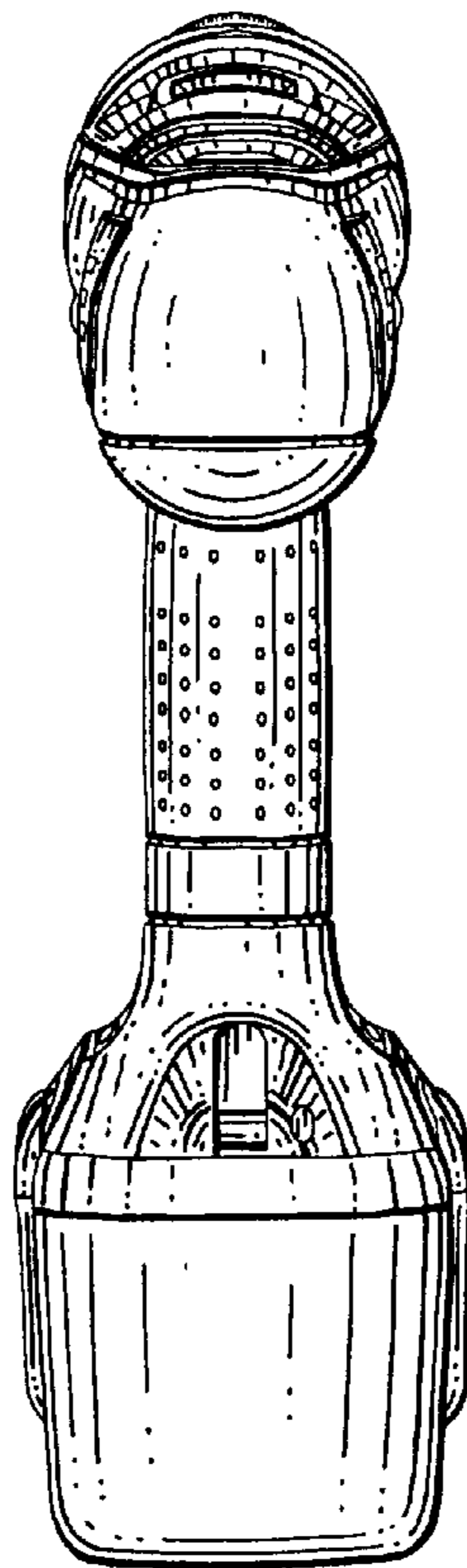


FIG. 19

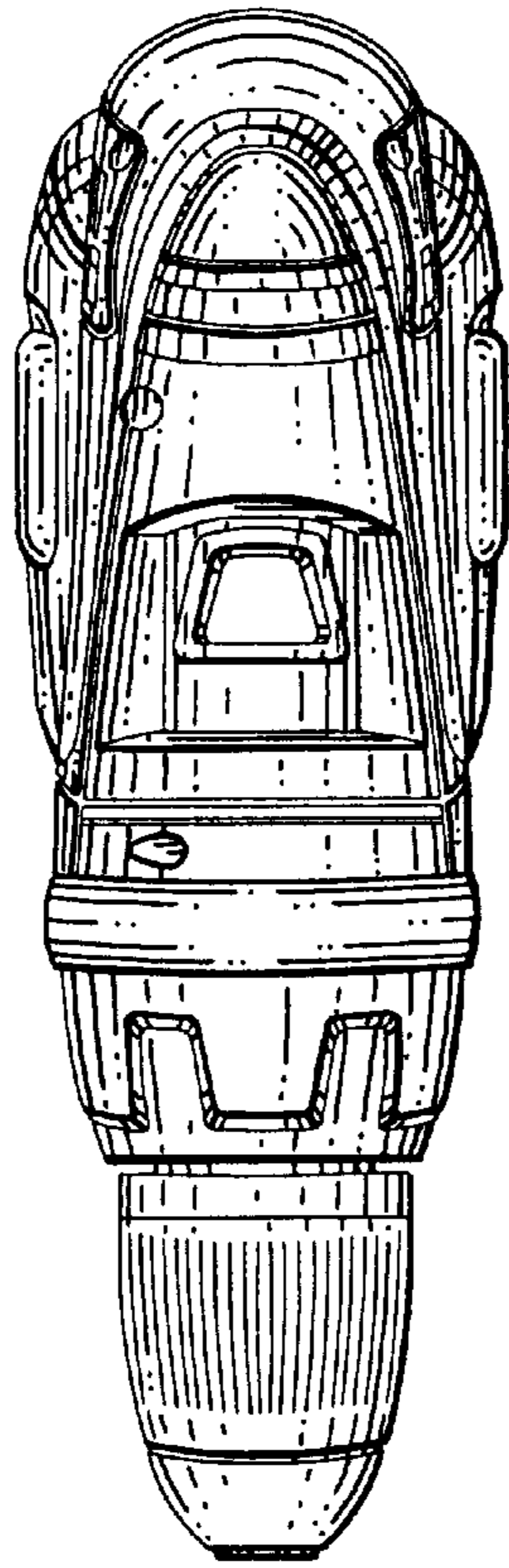
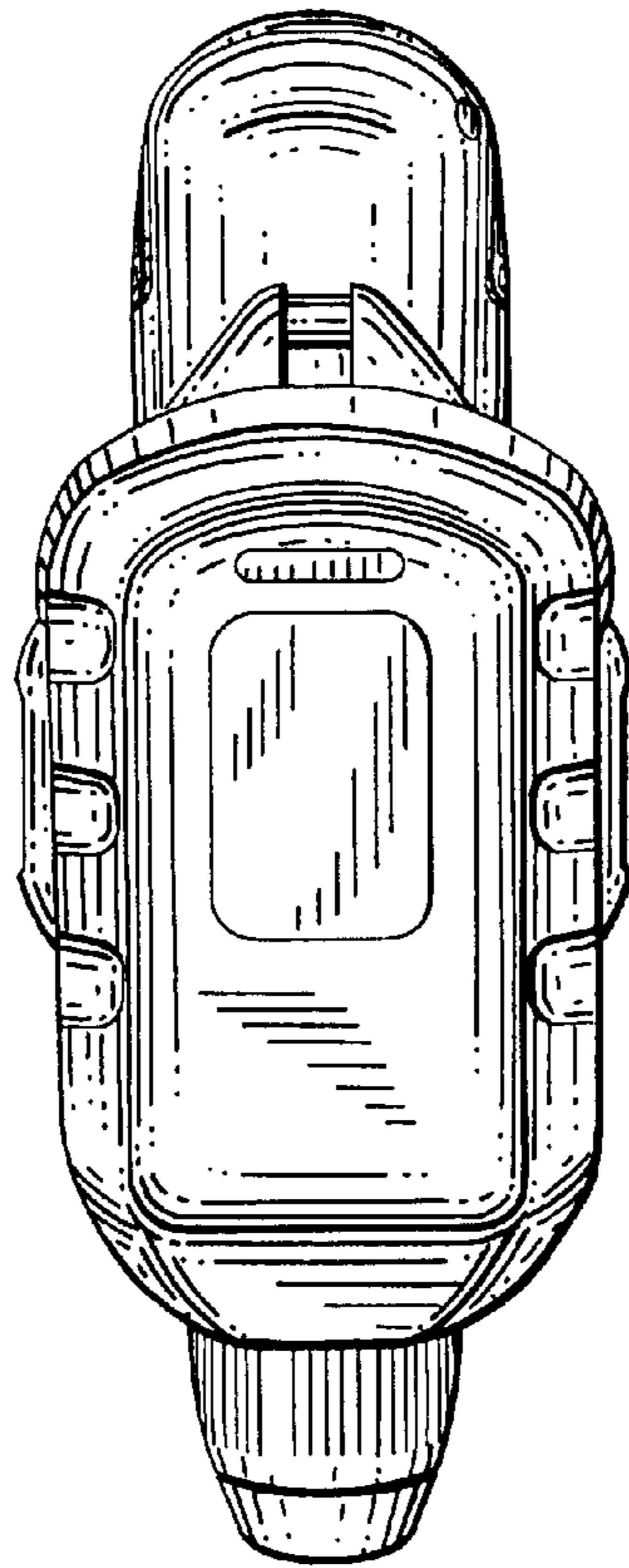


FIG. 20



*FIG. 21*