

US00D528391S

(12) **United States Design Patent**  
**Netzler**

(10) **Patent No.:** **US D528,391 S**

(45) **Date of Patent:** **\*\* Sep. 19, 2006**

(54) **CIRCULAR SAW**

(75) Inventor: **Sion Netzler**, Newton Aycliffe (GB)

(73) Assignee: **Black & Decker Inc.**, Newark, DE (US)

(\*\*) Term: **14 Years**

(21) Appl. No.: **29/243,372**

(22) Filed: **Nov. 23, 2005**

(30) **Foreign Application Priority Data**

May 25, 2005 (GB) ..... 3021373

(51) **LOC (8) Cl.** ..... **08-03**

(52) **U.S. Cl.** ..... **D8/66**

(58) **Field of Classification Search** ..... D8/69,  
D8/68, 67, 66, 64, 61, 70; 83/698.41, 747;  
30/166.3, 374, 373, 375, 376, 391, 377, 390,  
30/388, 389; 125/13.01; 144/218

See application file for complete search history.

(56) **References Cited**

**U.S. PATENT DOCUMENTS**

5,327,649 A \* 7/1994 Skinner ..... 30/124  
D378,488 S \* 3/1997 Ito et al. .... D8/66

D390,081 S \* 2/1998 Price et al. .... D8/66  
6,612,038 B1 \* 9/2003 Onose et al. .... 30/391  
D500,438 S \* 1/2005 Andriolo ..... D8/66  
D501,777 S \* 2/2005 Wu ..... D8/66  
D502,373 S \* 3/2005 Wu ..... D8/66  
D503,878 S \* 4/2005 Tillman et al. .... D8/66  
2002/0002774 A1 \* 1/2002 Onose et al. .... 30/124

\* cited by examiner

*Primary Examiner*—Cathron C. Brooks

*Assistant Examiner*—Austin Murphy

(74) *Attorney, Agent, or Firm*—Mehul R. Jani; Adan Ayala

(57) **CLAIM**

The ornamental design for a circular saw, as shown and described.

**DESCRIPTION**

FIG. 1 is a perspective view of a circular saw showing the new design.

FIG. 2 is a right side view thereof.

FIG. 3 is a left side view thereof.

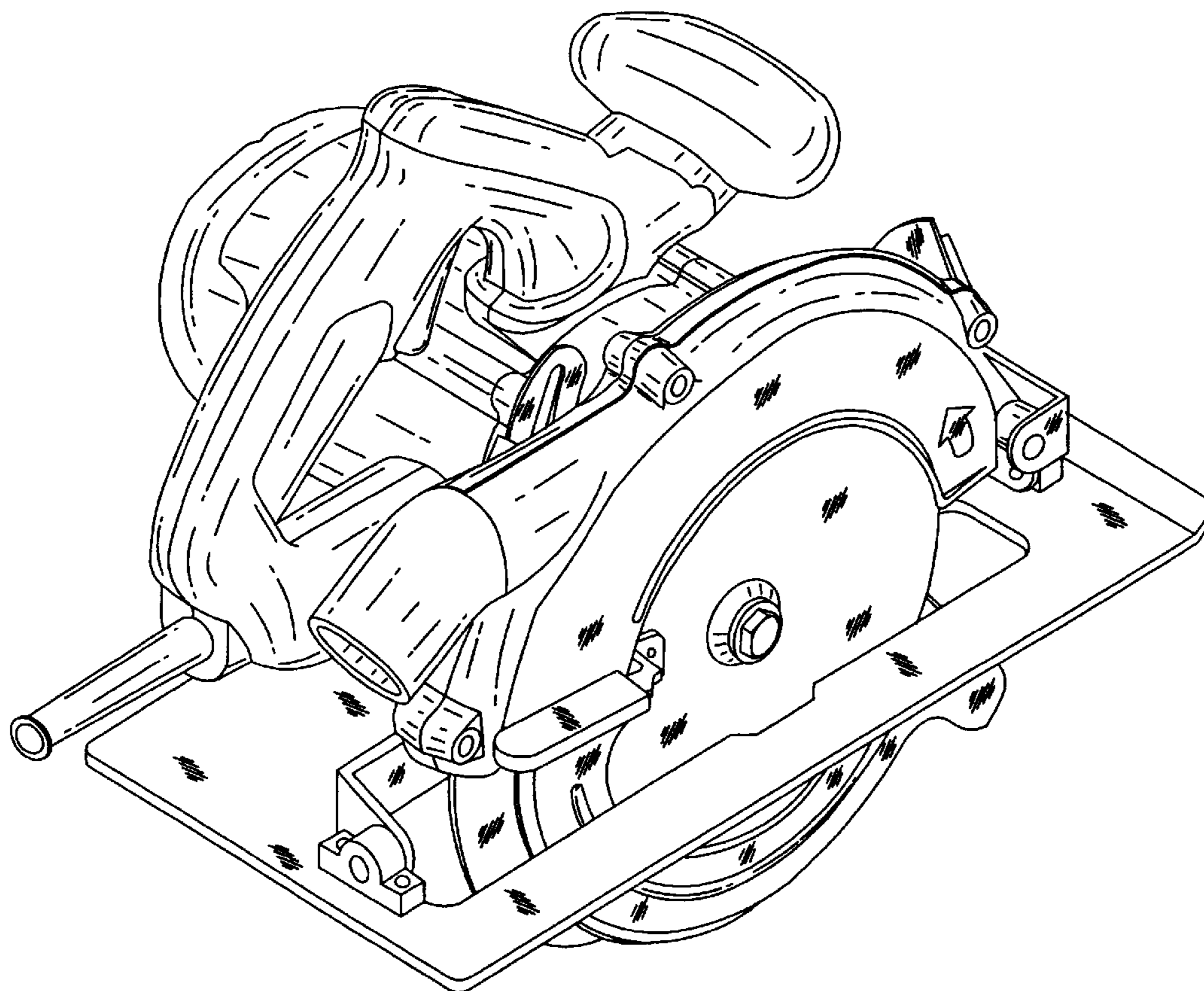
FIG. 4 is a front view thereof.

FIG. 5 is a rear view thereof

FIG. 6 is a top view thereof; and,

FIG. 7 is a bottom view thereof.

**1 Claim, 7 Drawing Sheets**



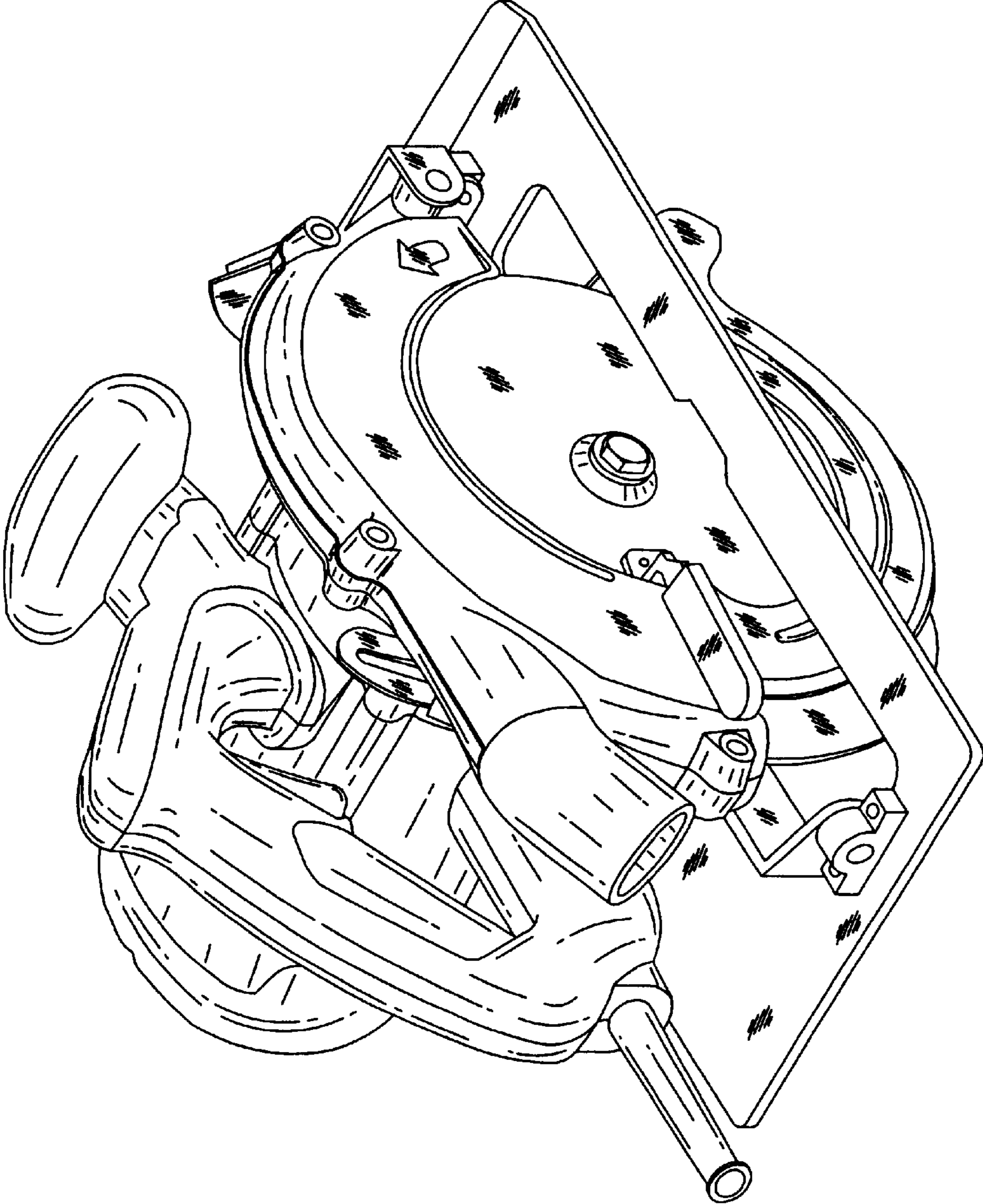


FIG.1

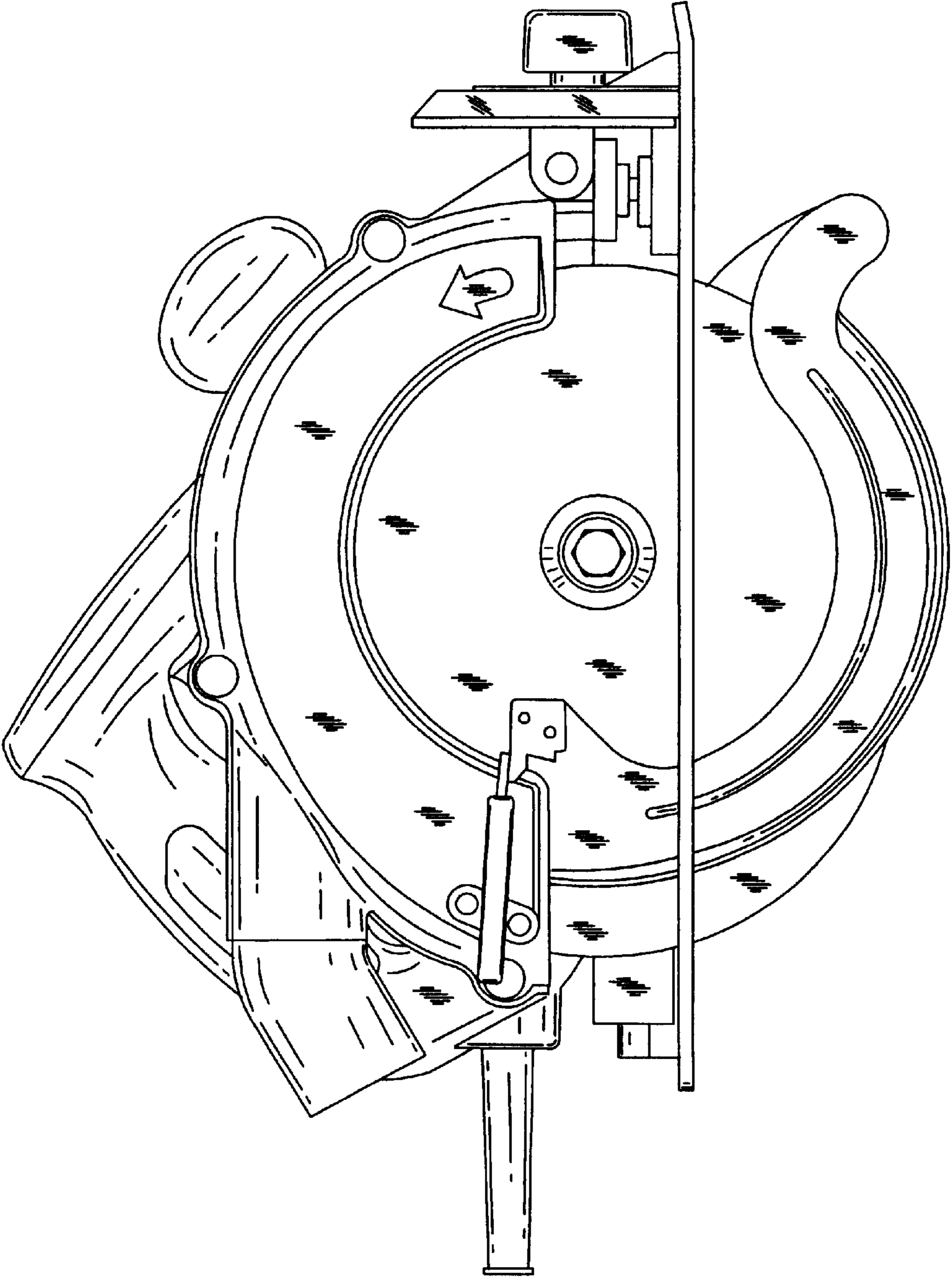


FIG.2

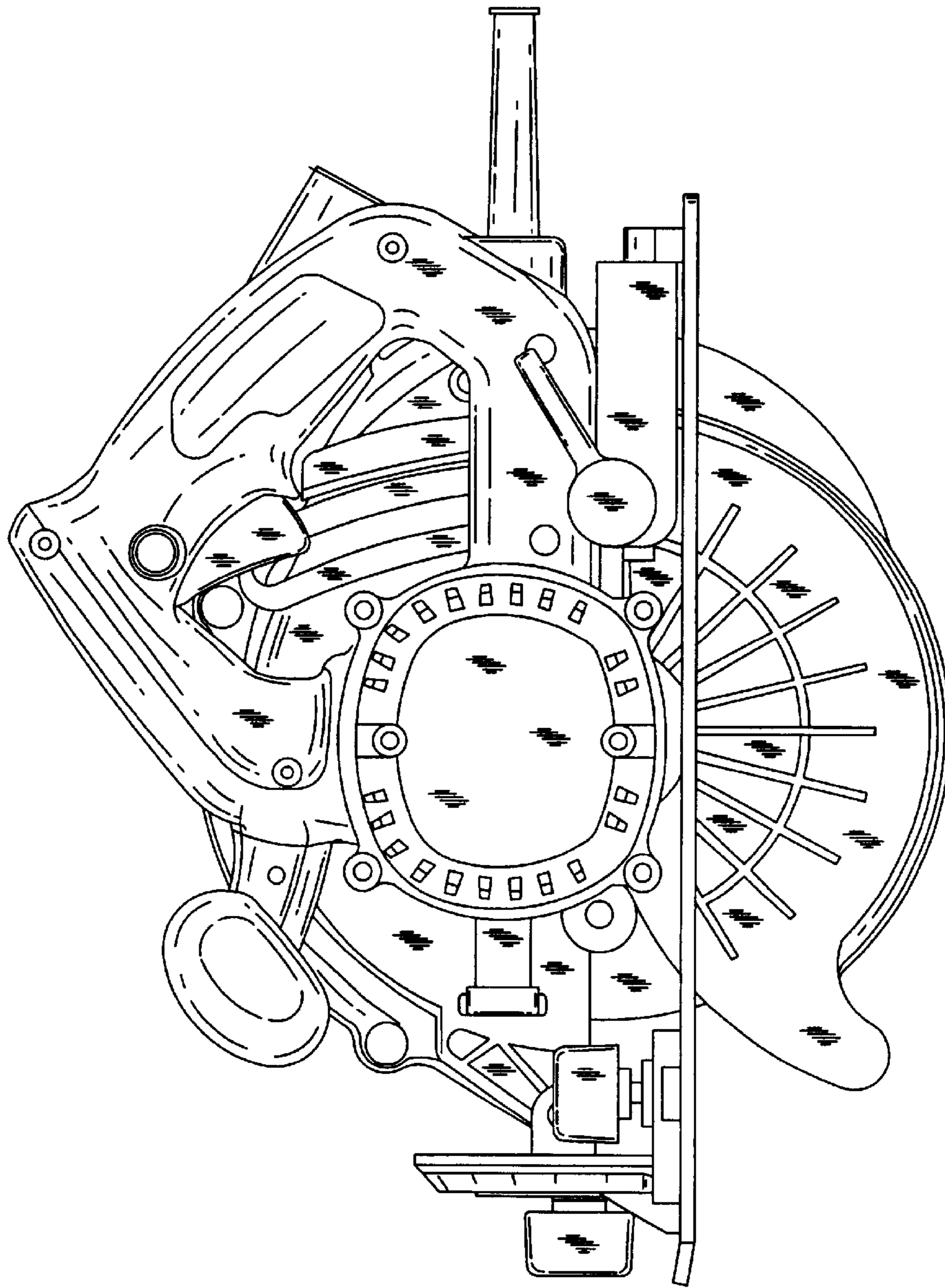


FIG.3

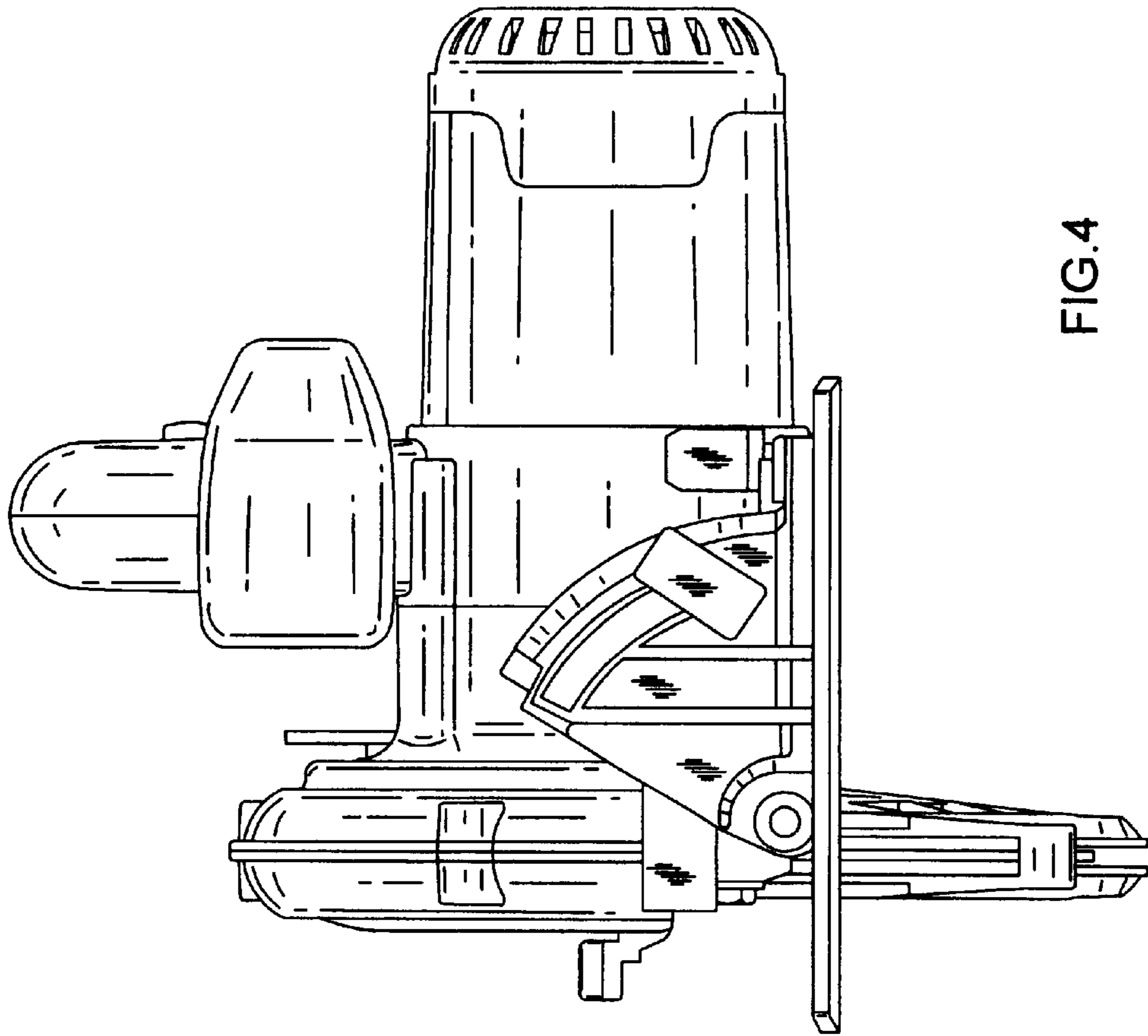


FIG.4

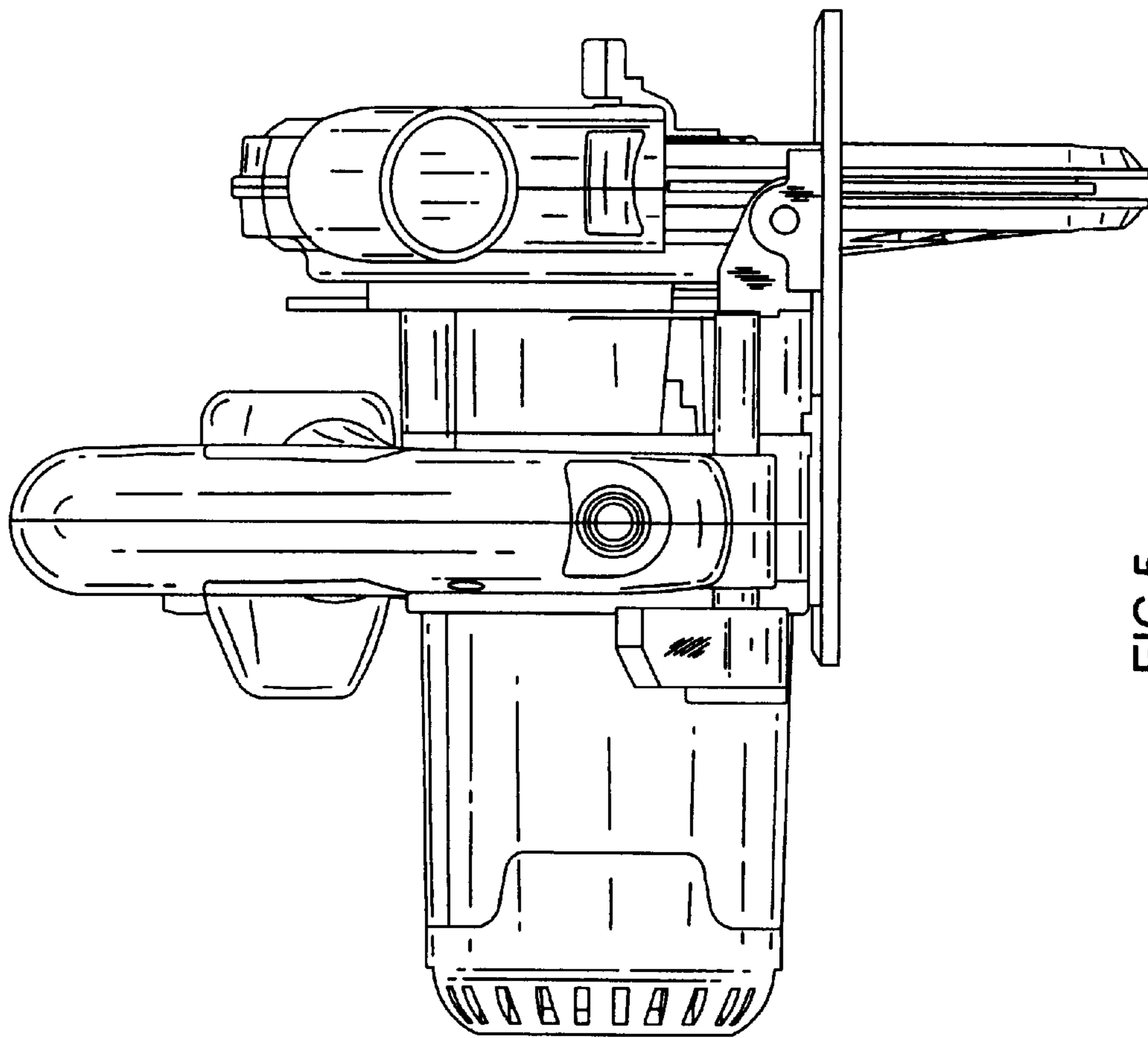


FIG.5

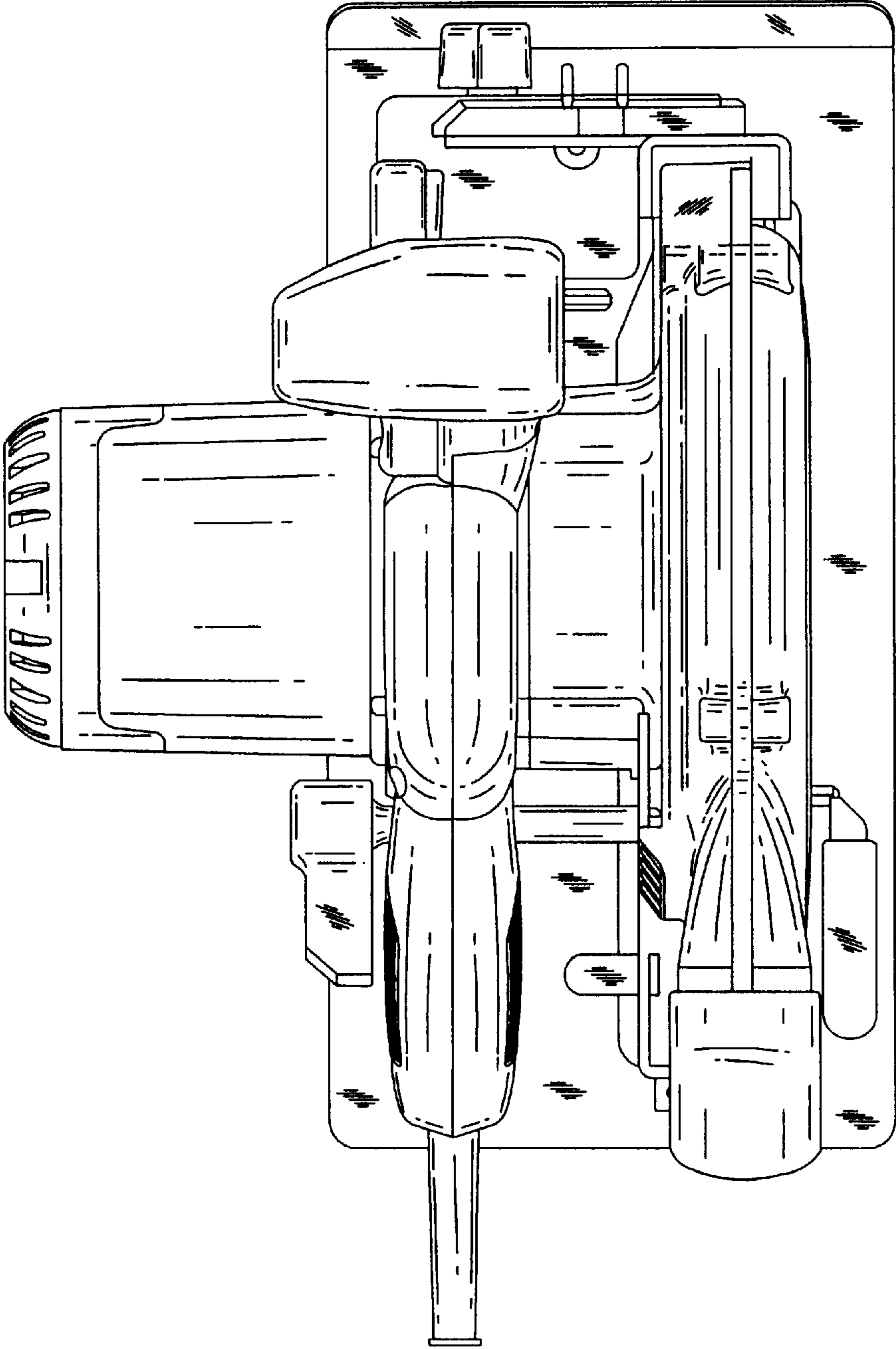


FIG.6

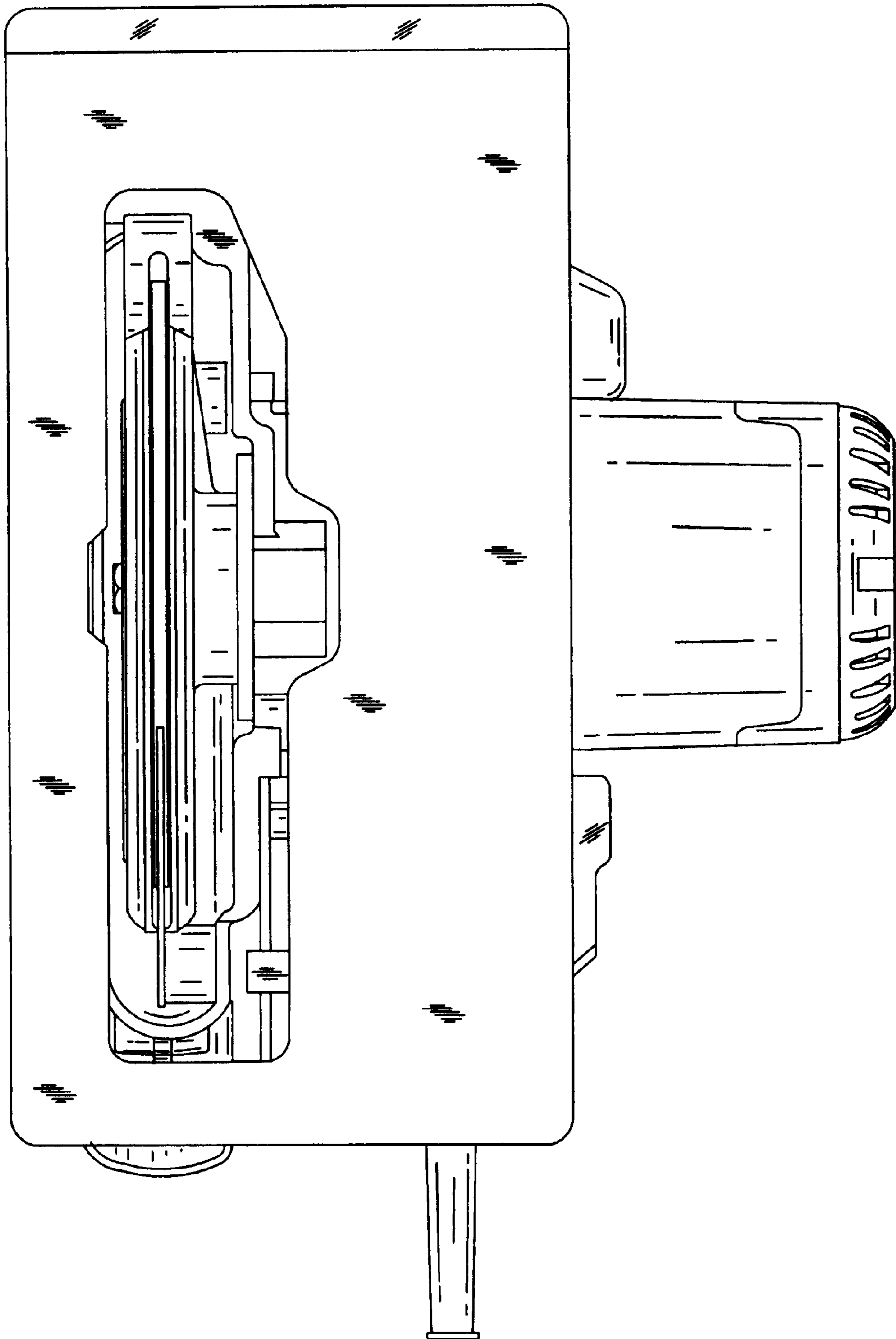


FIG.7