



US00D528390S

(12) **United States Design Patent**
Waldron

(10) **Patent No.:** **US D528,390 S**

(45) **Date of Patent:** **** Sep. 19, 2006**

(54) **POWERED CIRCULAR SAW**

(75) Inventor: **Michael Waldron**, Durham (GB)

(73) Assignee: **GMCA PTY LTD** (AU)

(**) Term: **14 Years**

(21) Appl. No.: **29/236,856**

(22) Filed: **Aug. 23, 2005**

(30) **Foreign Application Priority Data**

Jul. 30, 2005 (EP) 000382304

(51) **LOC (8) Cl.** **08-03**

(52) **U.S. Cl.** **D8/66**

(58) **Field of Classification Search** D8/69,
D8/68, 67, 66, 64, 61, 70; 83/698.41, 747;
30/166.3, 374, 373, 375, 376, 391, 377, 390,
30/388, 389; 125/13.01; 144/218
See application file for complete search history.

(56) **References Cited**

U.S. PATENT DOCUMENTS

4,870,758 A * 10/1989 Fushiya 30/388
4,876,797 A * 10/1989 Zapata 30/388
D315,854 S * 4/1991 Kawakami et al. D8/66
D378,488 S * 3/1997 Ito et al. D8/66

D390,081 S * 2/1998 Price et al. D8/66
5,850,697 A * 12/1998 Welch 30/391
5,930,903 A * 8/1999 Hurn et al. 30/391
D460,672 S * 7/2002 Pretzell D8/66
6,484,410 B1 * 11/2002 Meastas 30/373
D475,265 S * 6/2003 Hatch et al. D8/66
D488,977 S * 4/2004 Evans D8/66
D504,297 S * 4/2005 Tillman et al. D8/66

* cited by examiner

Primary Examiner—Cathron C. Brooks

Assistant Examiner—Austin Murphy

(74) *Attorney, Agent, or Firm*—McKee, Voorhees & Sease,
P.L.C.

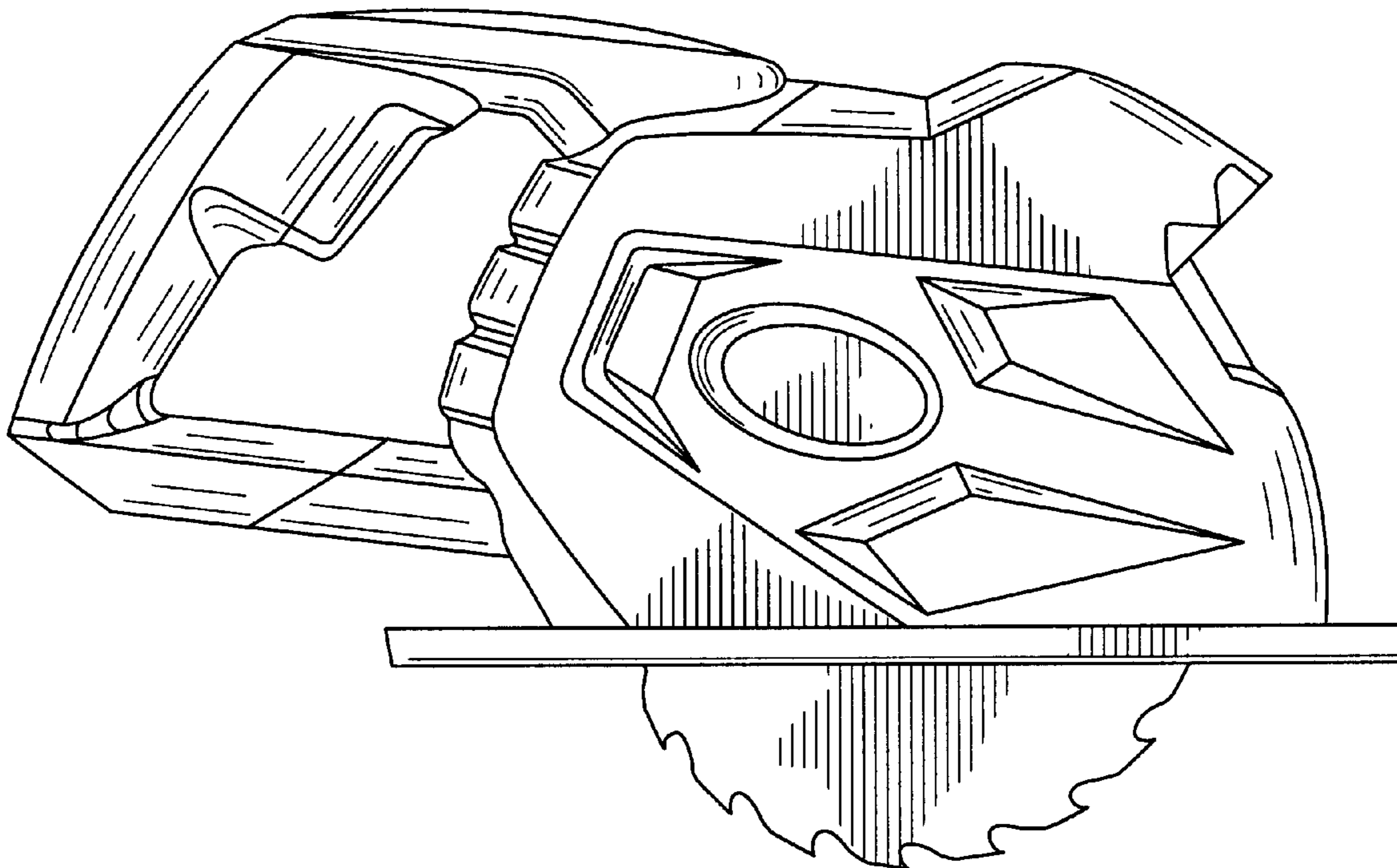
(57) **CLAIM**

I claim the ornamental design for a powered circular saw,
substantially as shown.

DESCRIPTION

FIG. 1 is a perspective view of the powered circular saw.
FIG. 2 is a side view of the powered circular saw.
FIG. 3 is an opposite side view of the powered circular saw.
FIG. 4 is a top view of the powered circular saw.
FIG. 5 is a bottom view of the powered circular saw.
FIG. 6 is a rear view of the powered circular saw; and,
FIG. 7 is a front view of the powered circular saw.

1 Claim, 7 Drawing Sheets



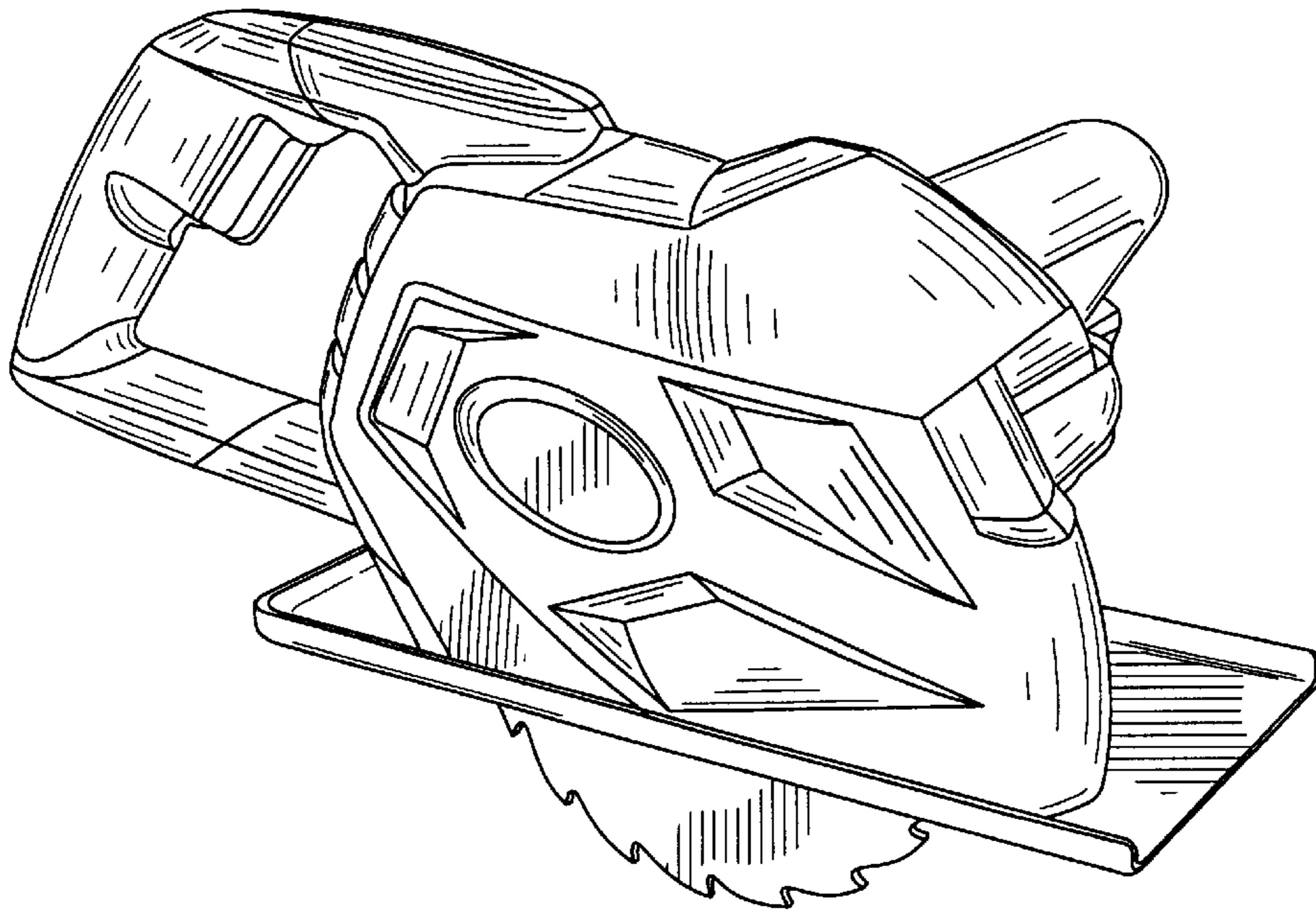


FIG. 1

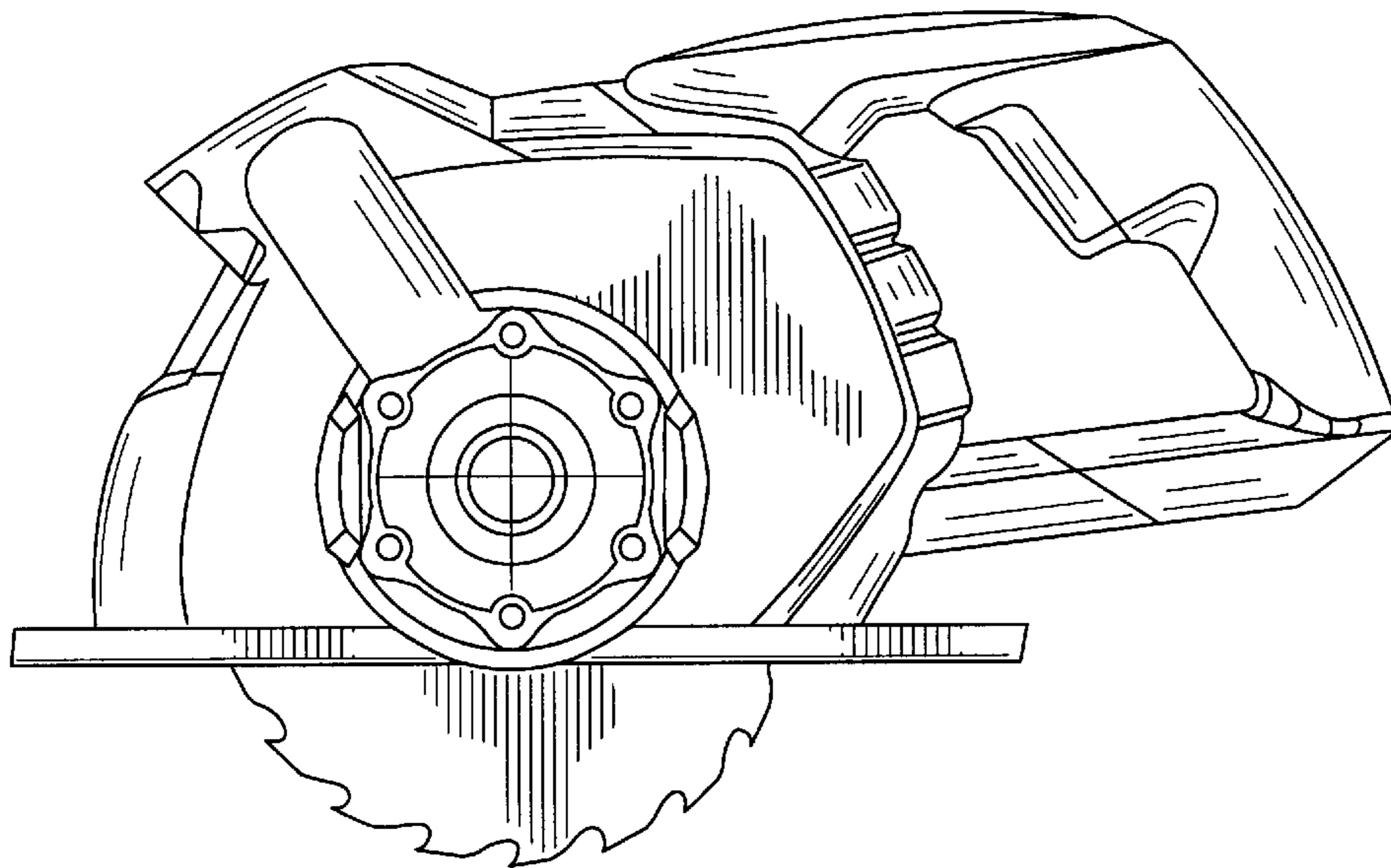


FIG. 2

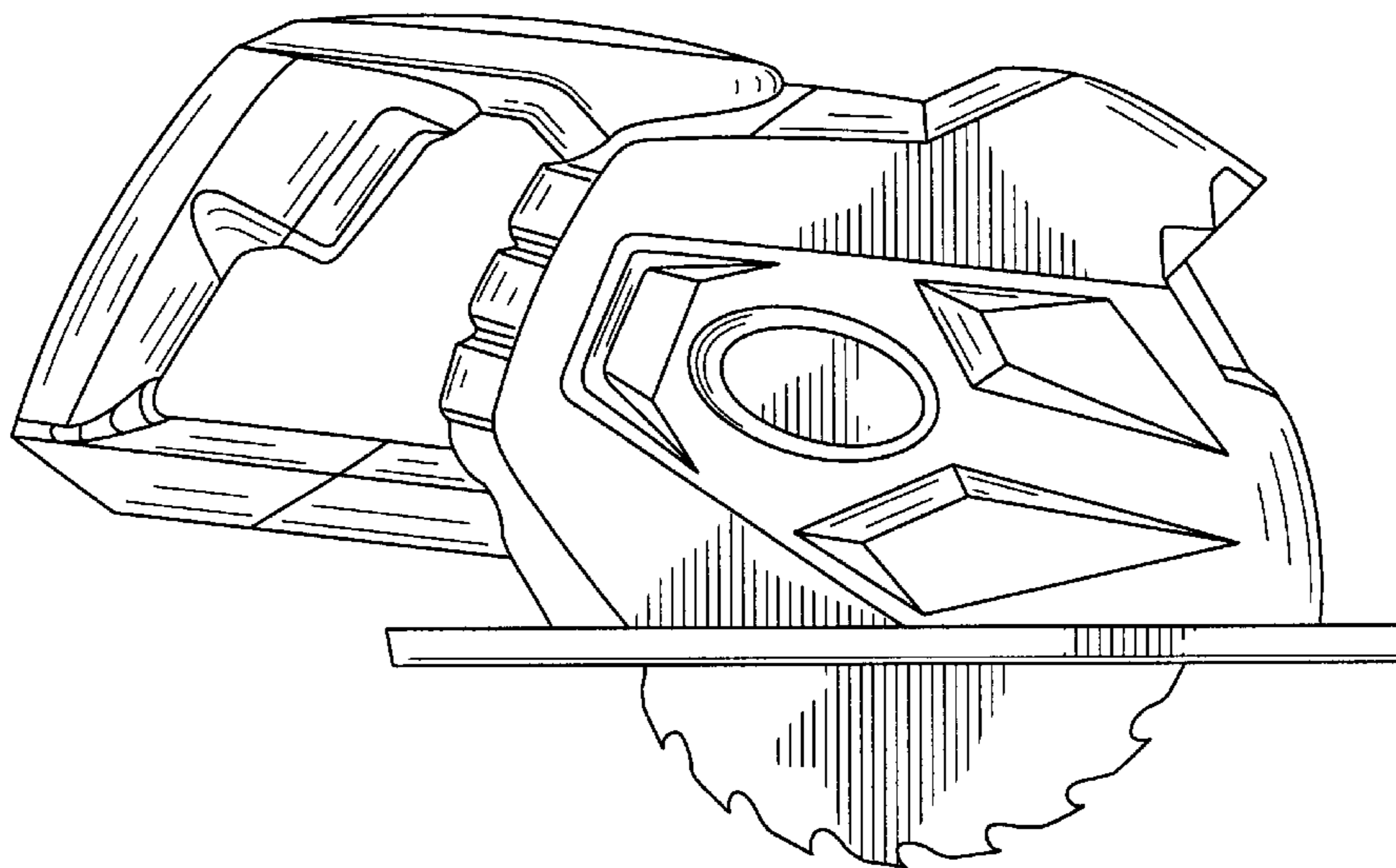


FIG. 3

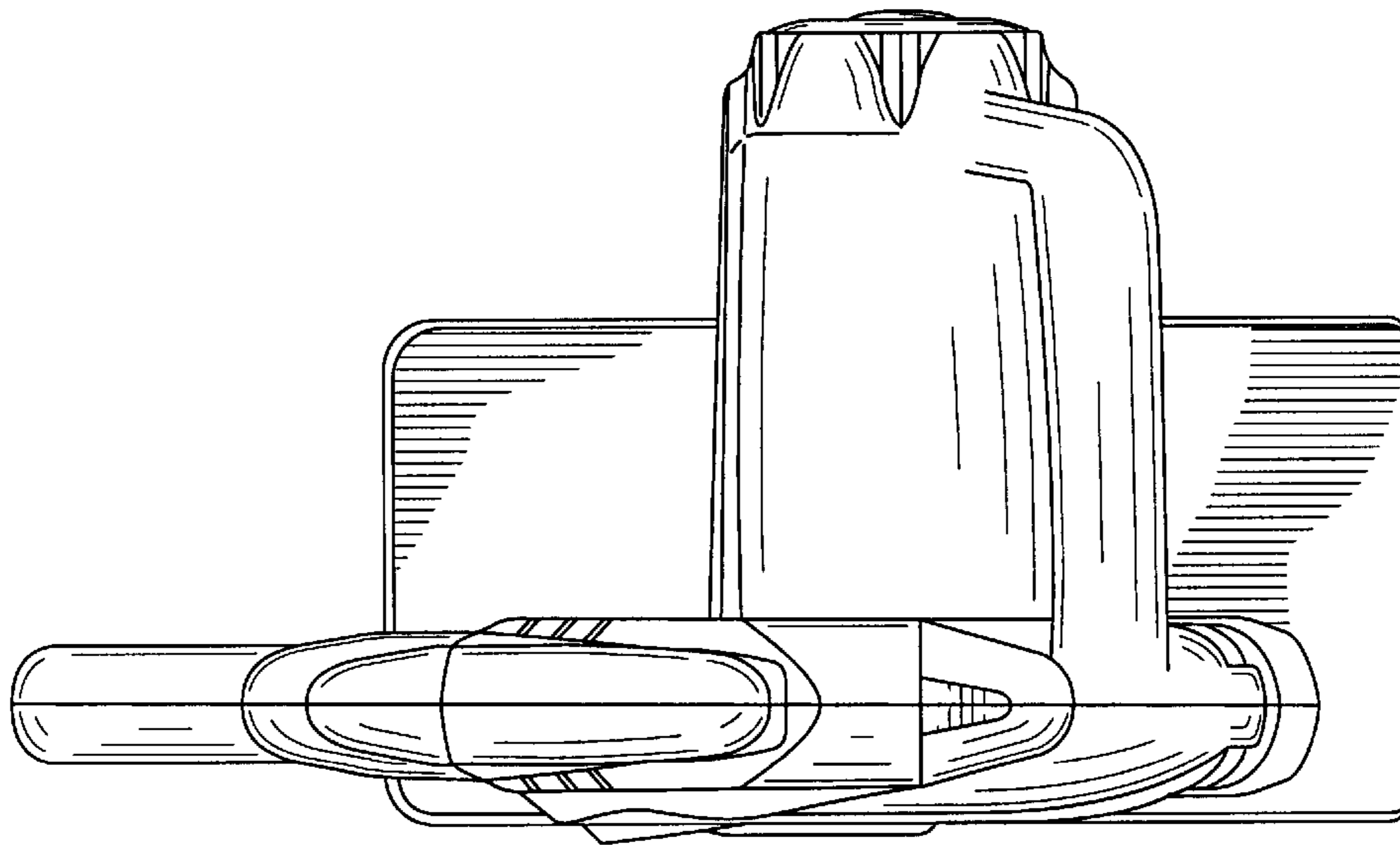


FIG. 4

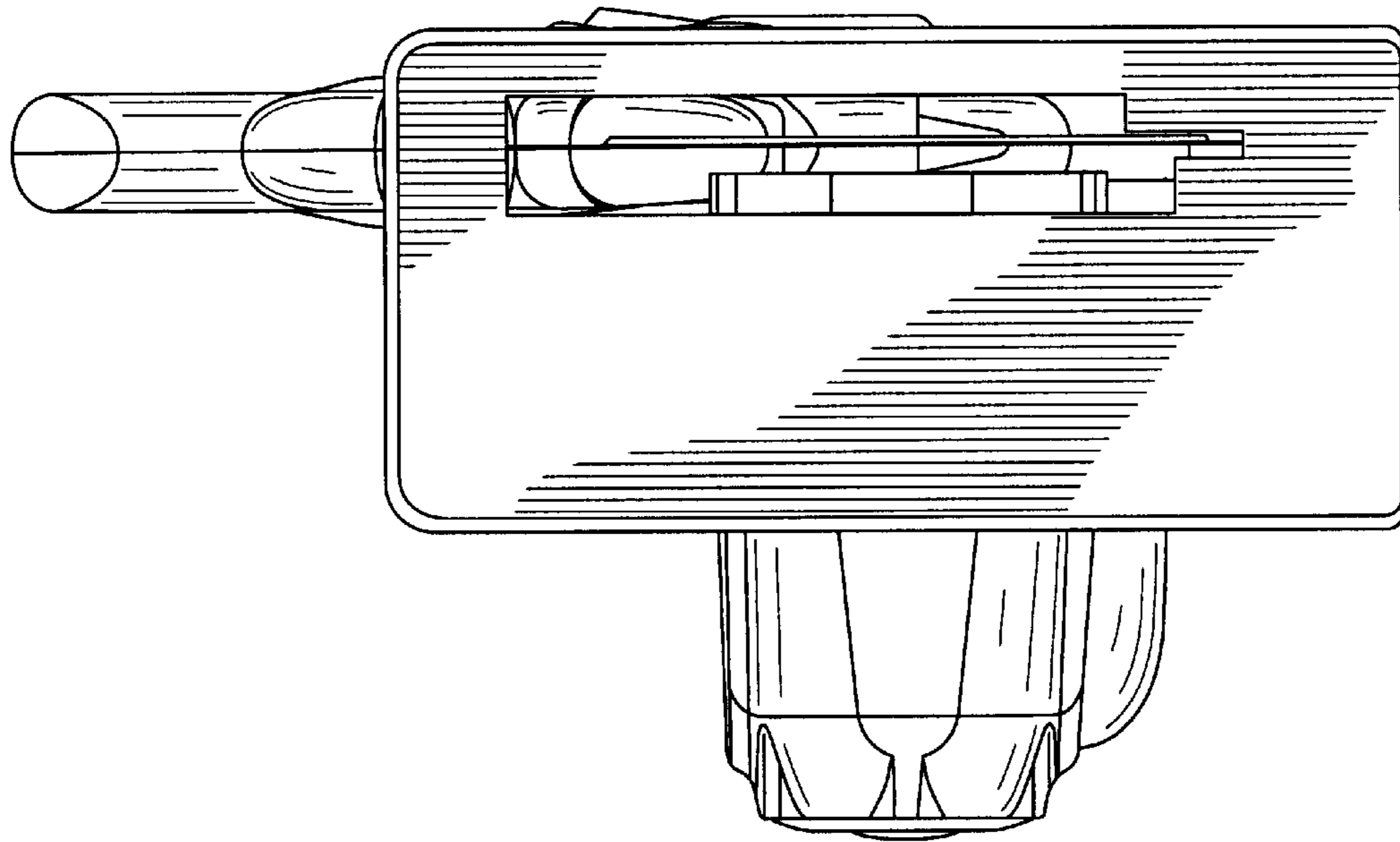


FIG. 5

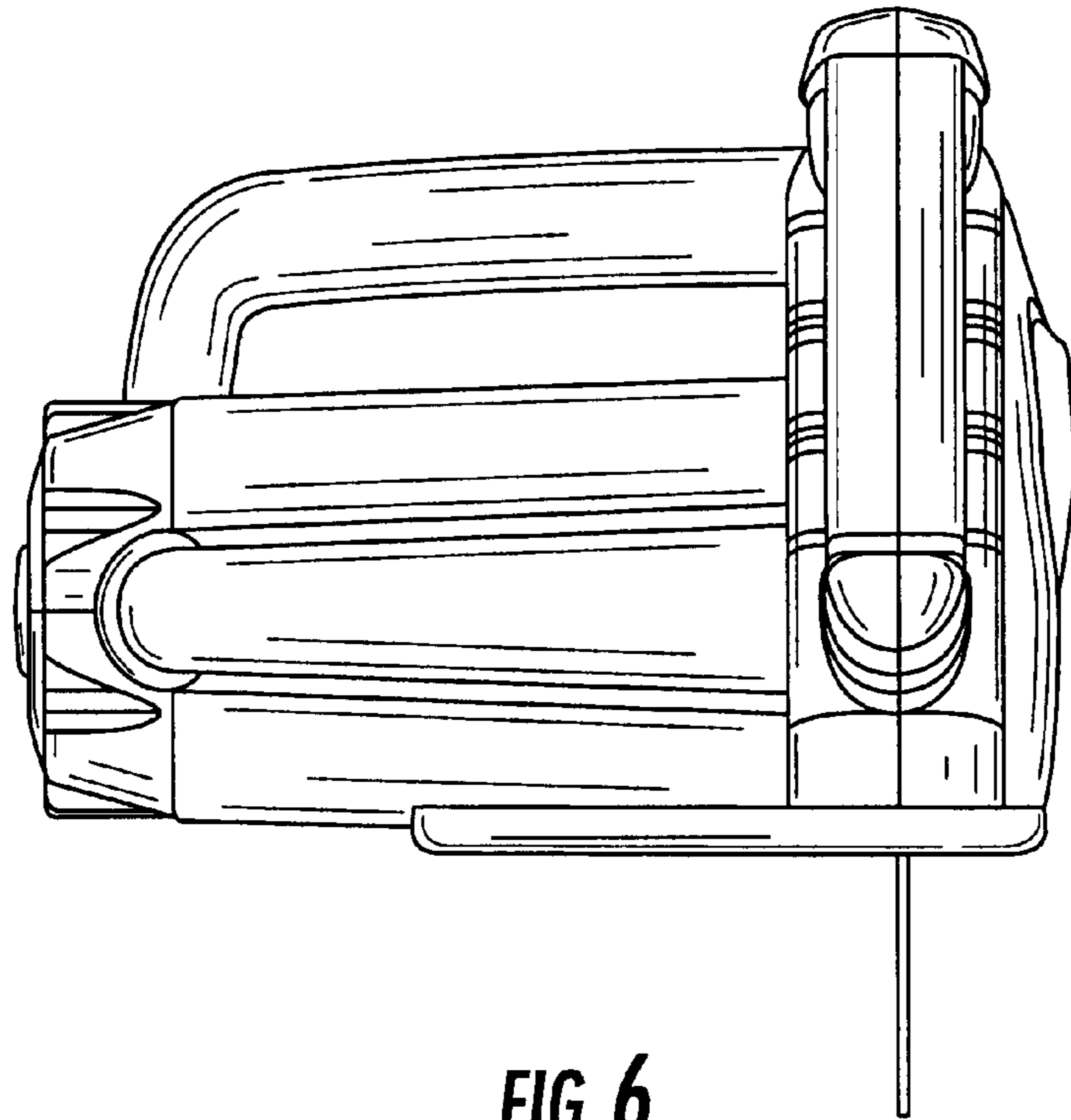


FIG. 6

