

US00D528389S

(12) **United States Design Patent**
Wu

(10) **Patent No.:** **US D528,389 S**

(45) **Date of Patent:** **** Sep. 19, 2006**

(54) **ANGLE GRINDER**

(75) Inventor: **Shuming Wu**, Nanjing (CN)

(73) Assignee: **Nanjing Chervon Industry Co., Ltd.**,
Nanjing (CN)

(**) Term: **14 Years**

(21) Appl. No.: **29/243,931**

(22) Filed: **Dec. 1, 2005**

(30) **Foreign Application Priority Data**

Jun. 9, 2005 (CN) 200530084723

(51) **LOC (8) Cl.** **08-01**

(52) **U.S. Cl.** **D8/62**

(58) **Field of Classification Search** D8/69,
D8/67, 62, 61; 173/168; 451/294, 344, 351,
451/359, 358, 357, 356, 354, 353
See application file for complete search history.

(56) **References Cited**

U.S. PATENT DOCUMENTS

D301,830 S	*	6/1989	Ogawa et al.	D8/62
D328,841 S	*	8/1992	Fushiya et al.	D8/62
D332,559 S	*	1/1993	Miyoshi et al.	D8/62
D347,153 S	*	5/1994	Uneyama	D8/62
D351,772 S	*	10/1994	Price	D8/62
D378,183 S	*	2/1997	Dognini	D8/62
D394,594 S	*	5/1998	Chung	D8/62
D402,870 S	*	12/1998	Etter et al.	D8/62
D408,244 S	*	4/1999	Price	D8/62

D437,199 S	*	2/2001	Robson	D8/62
D453,098 S	*	1/2002	Pretzell	D8/62
D468,179 S	*	1/2003	Hayakawa et al.	D8/62
6,527,630 B1	*	3/2003	Mannsperger et al.	451/344
D479,452 S	*	9/2003	Cho	D8/62
D479,969 S	*	9/2003	Robson et al.	D8/62
D498,653 S	*	11/2004	Wu	D8/62
D500,945 S	*	1/2005	Wright	D8/62

* cited by examiner

Primary Examiner—Cathron C. Brooks

Assistant Examiner—Austin Murphy

(74) *Attorney, Agent, or Firm*—Butzel Long

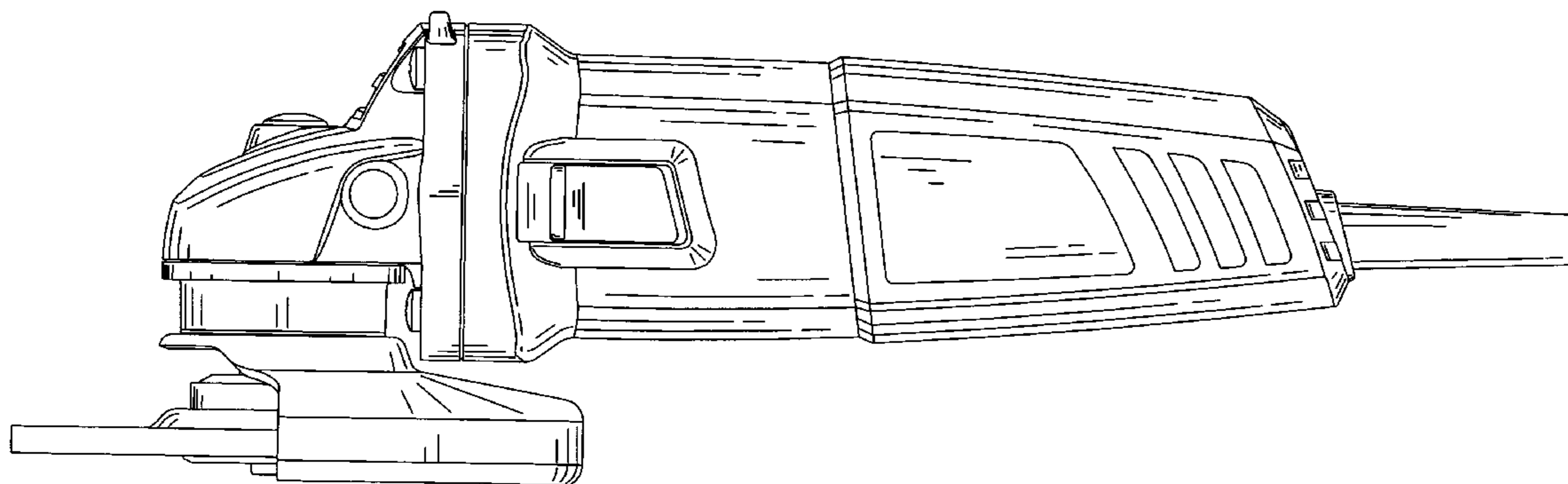
(57) **CLAIM**

The ornamental design for a angle grinder, as shown and described.

DESCRIPTION

FIG. 1 is a front elevational view of the design;
FIG. 2 is a rear elevational view of the angle grinder in FIG. 1;
FIG. 3 is a top plan view of the angle grinder in FIG. 1;
FIG. 4 is a bottom plan view of the angle grinder in FIG. 1;
FIG. 5 is a right side elevational view of the angle grinder in FIG. 1;
FIG. 6 is a left side elevational view of the angle grinder in FIG. 1;
FIG. 7 is a perspective view of the angle grinder of FIG. 1; and,
FIG. 8 is another perspective view of the angle grinder of FIG. 1.

1 Claim, 8 Drawing Sheets



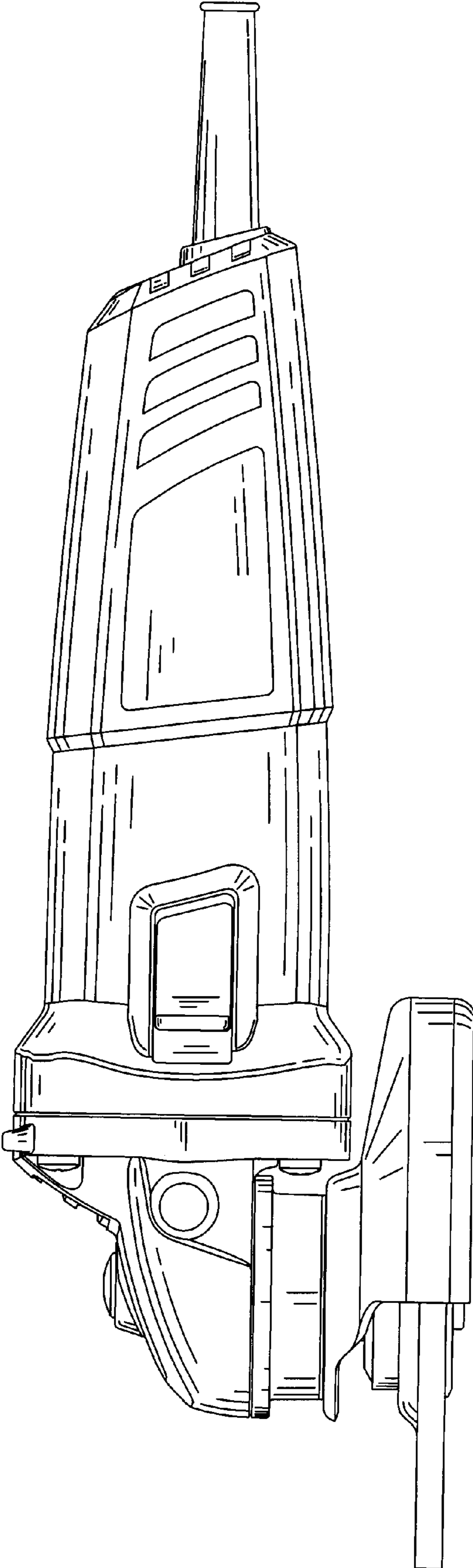


FIG. 1

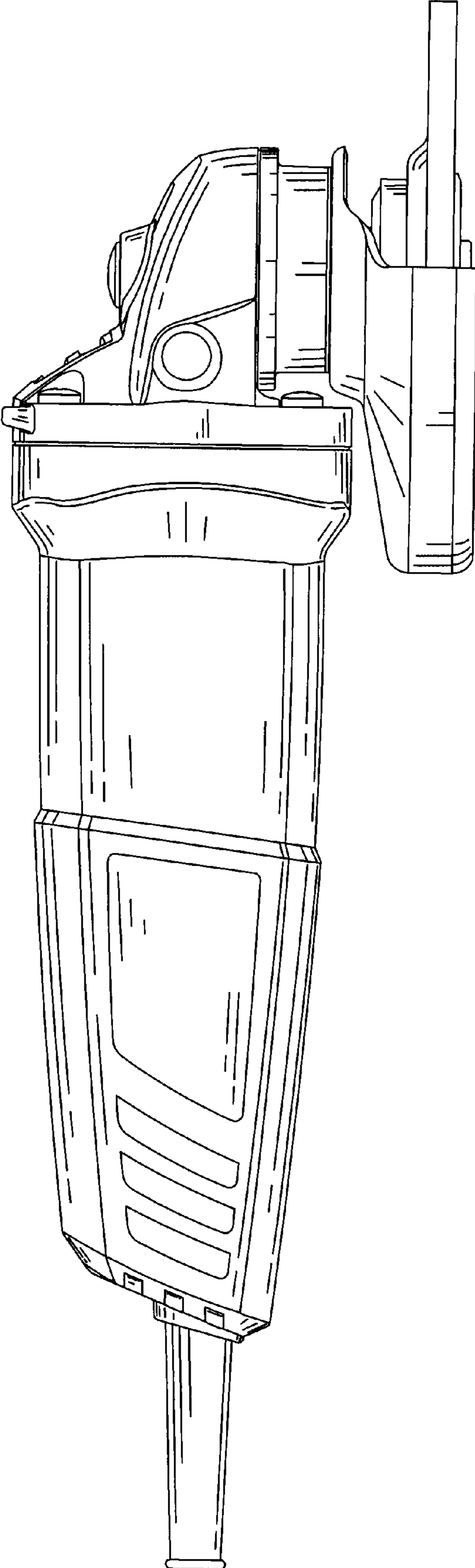


FIG. 2

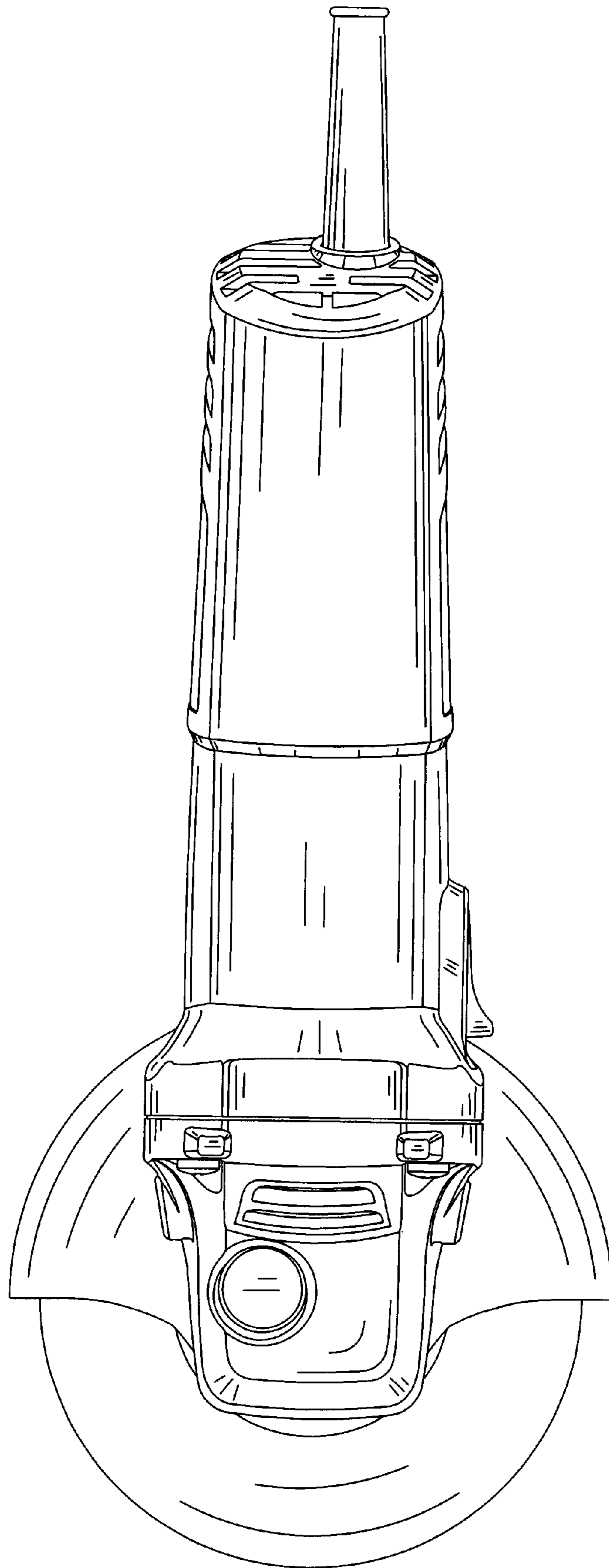


FIG. 3

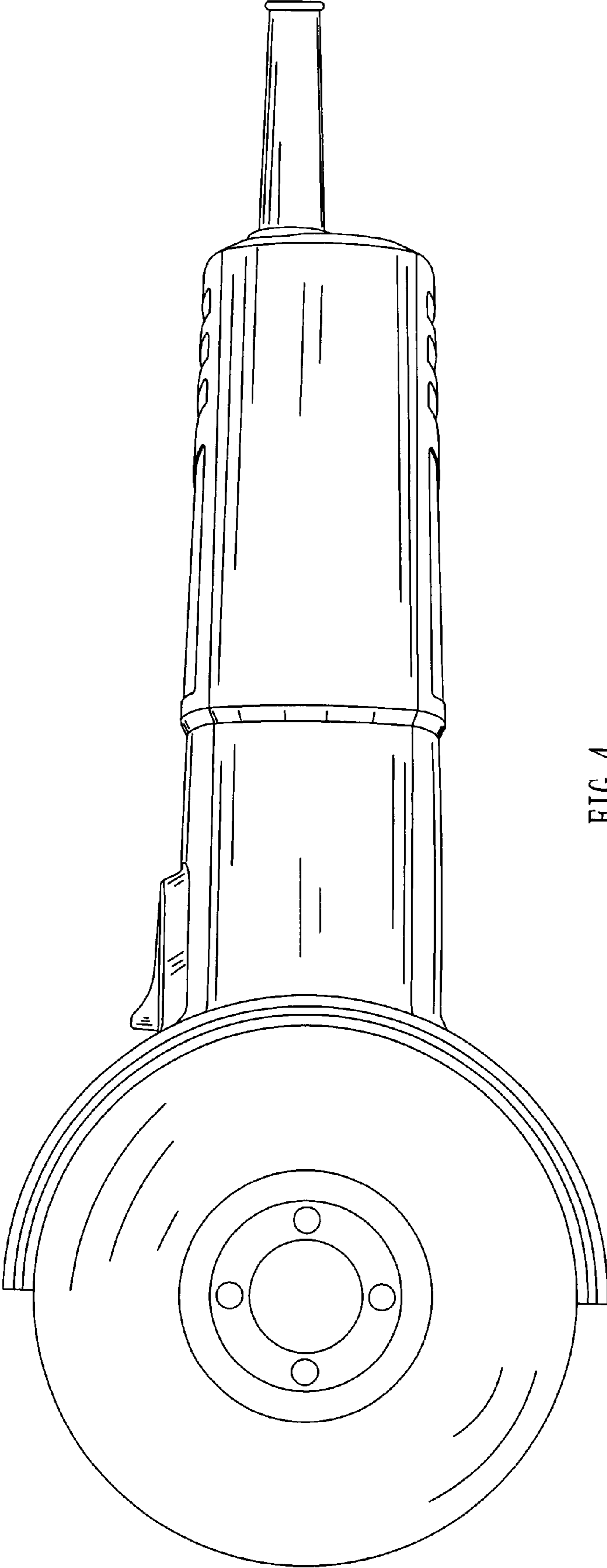


FIG. 4

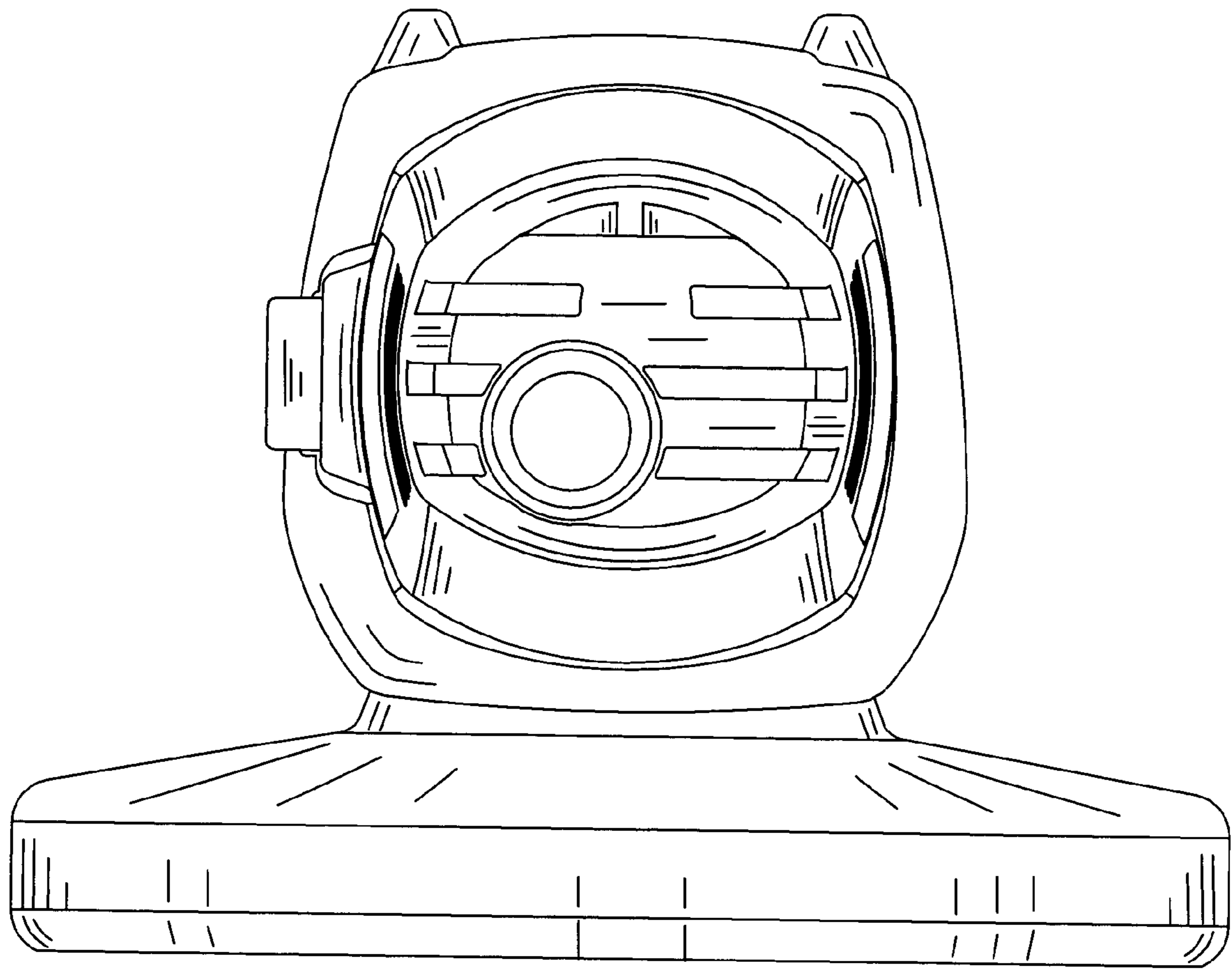


FIG. 5

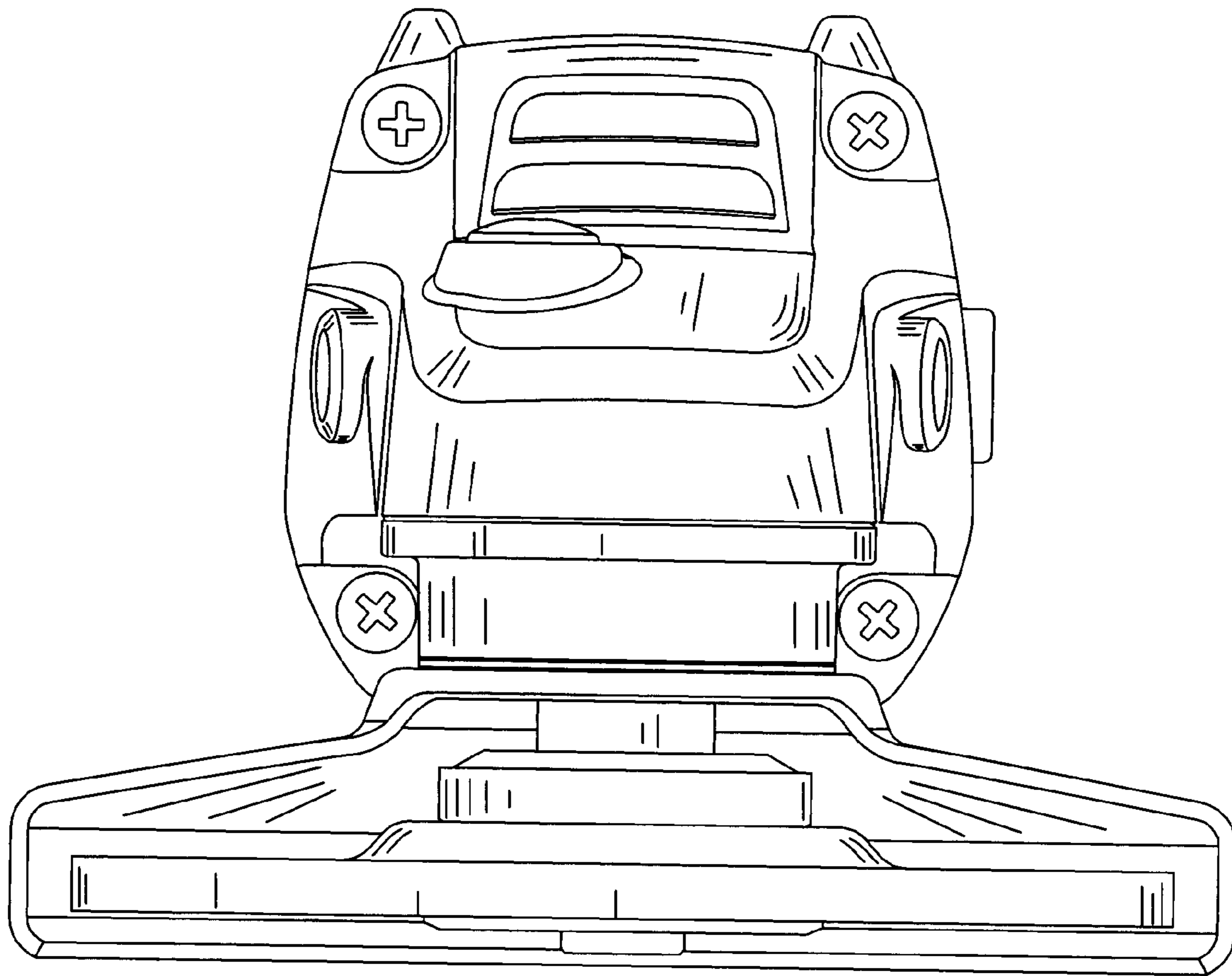


FIG. 6

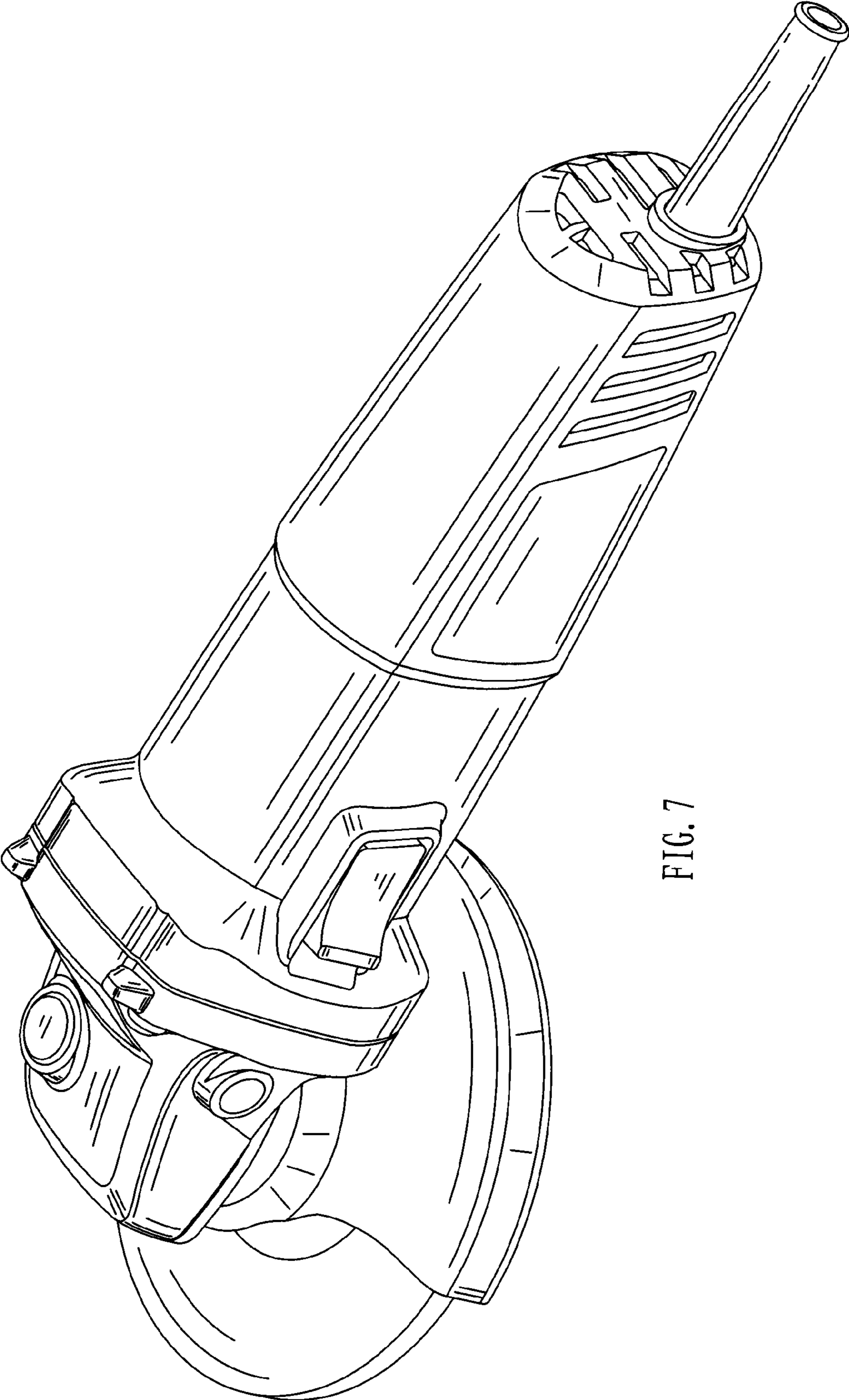


FIG. 7

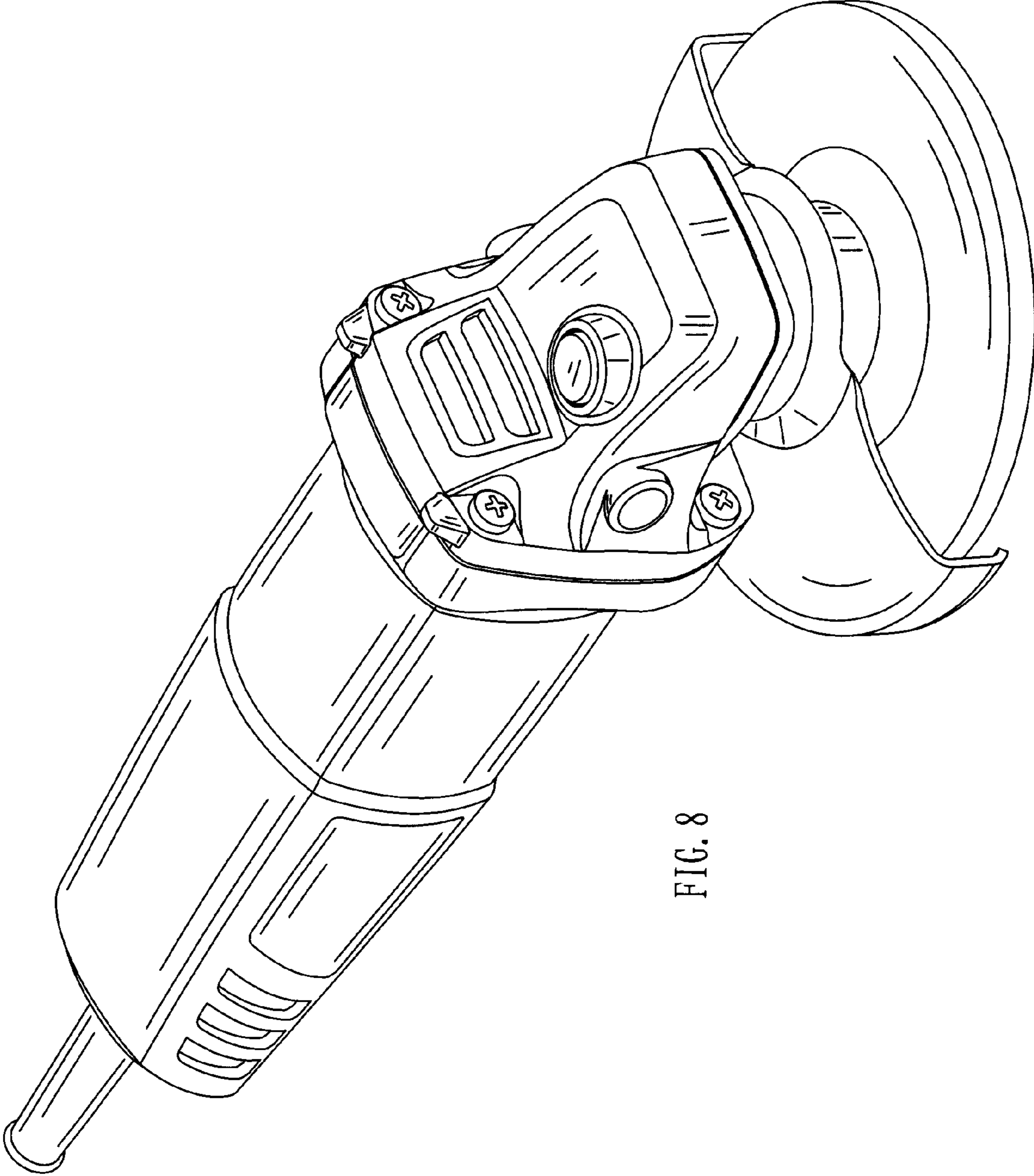


FIG. 8