



US00D528388S

(12) **United States Design Patent**  
**Andriolo et al.**

(10) **Patent No.:** **US D528,388 S**

(45) **Date of Patent:** **\*\* Sep. 19, 2006**

(54) **PLANER**

(75) Inventors: **Paolo Andriolo**, Vicenza (IT); **Yu-fei Liu**, Suzhou (CN)

(73) Assignee: **Positec Power Tools (Suzhou) Co., Ltd.**, Suzhou (CN)

(\*\*) Term: **14 Years**

(21) Appl. No.: **29/242,718**

(22) Filed: **Nov. 14, 2005**

(30) **Foreign Application Priority Data**

May 11, 2005 (CN) ..... 200530083504

(51) **LOC (8) Cl.** ..... **08-01**

(52) **U.S. Cl.** ..... **D8/62**

(58) **Field of Classification Search** ..... D8/67,  
D8/62, 61; D32/15, 17, 19; D4/102; 144/154.5,  
144/252.1, 373; 451/355, 354, 353, 351,  
451/344, 456, 451, 359, 358, 357, 356  
See application file for complete search history.

(56) **References Cited**

**U.S. PATENT DOCUMENTS**

- 4,363,343 A \* 12/1982 Cuneo ..... 30/475
- 4,442,878 A \* 4/1984 Moriguchi et al. .... 30/475
- D282,236 S \* 1/1986 Shohoji et al. .... D8/61
- 4,584,772 A \* 4/1986 Bergler ..... 30/475

- 4,601,104 A \* 7/1986 Zaiser et al. .... 30/475
- 5,815,934 A \* 10/1998 Eichberger et al. .... 30/475
- D475,594 S \* 6/2003 Bian ..... D8/62
- D501,775 S \* 2/2005 Tillman et al. .... D8/62
- D508,833 S \* 8/2005 Brazell et al. .... D8/62
- D509,117 S \* 9/2005 Tillman et al. .... D8/62
- D512,619 S \* 12/2005 Aglassinger ..... D8/62
- 2005/0274433 A1 \* 12/2005 Thomas ..... 144/252.1
- 2005/0284543 A1 \* 12/2005 Kaiser ..... 144/373

\* cited by examiner

*Primary Examiner*—Cathron C. Brooks

*Assistant Examiner*—Austin Murphy

(74) *Attorney, Agent, or Firm*—Madson & Austin

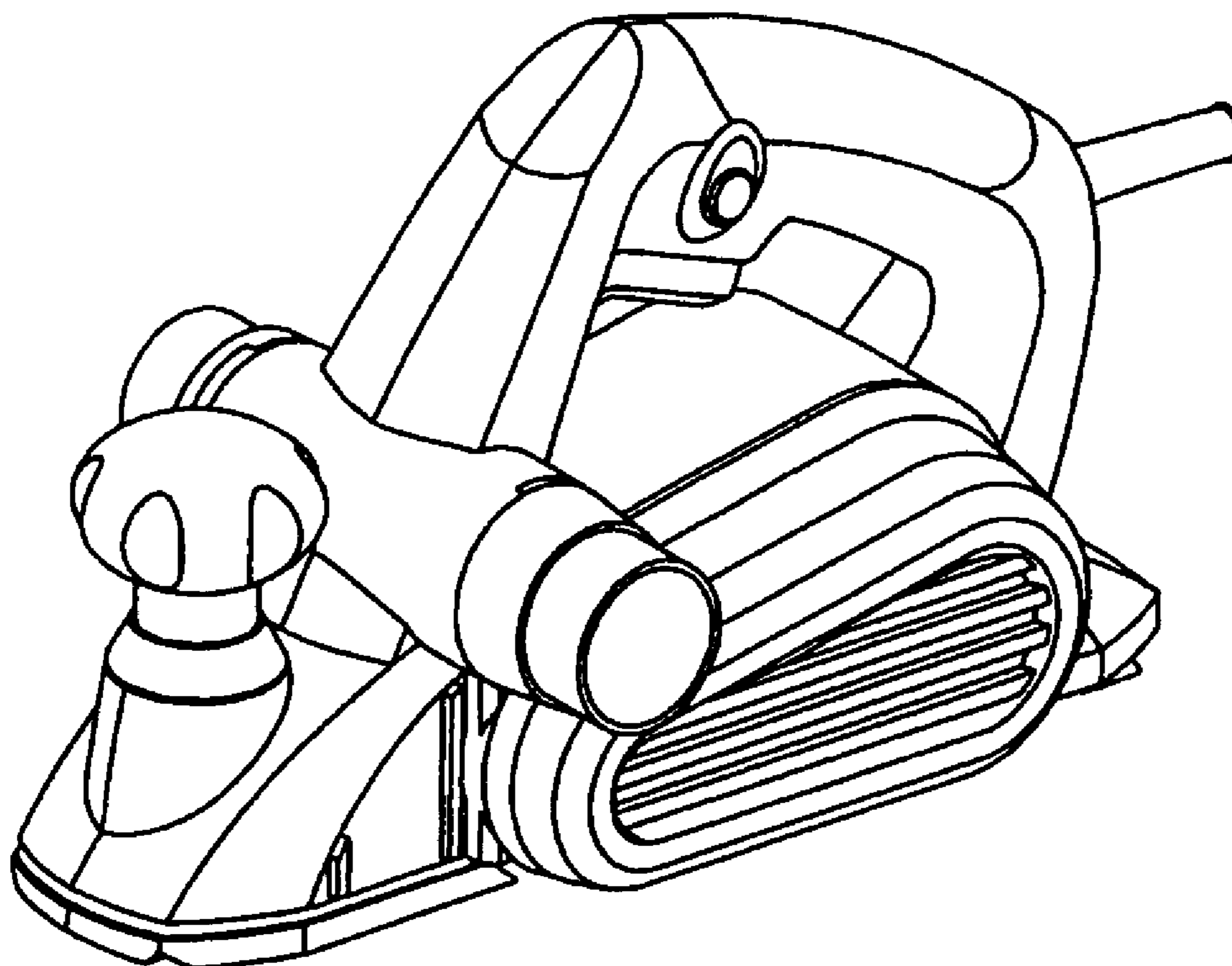
(57) **CLAIM**

The ornamental design for a planer, as shown and described.

**DESCRIPTION**

FIG. 1 is a top, front and right side perspective view of a planer showing my new design;  
 FIG. 2 is a top, rear and left side perspective view thereof;  
 FIG. 3 is a front elevational view thereof;  
 FIG. 4 is a rear elevational view thereof;  
 FIG. 5 is a left side elevational view thereof;  
 FIG. 6 is a right side elevational view thereof;  
 FIG. 7 is a top plan view thereof; and,  
 FIG. 8 is a bottom plan view thereof.

**1 Claim, 8 Drawing Sheets**



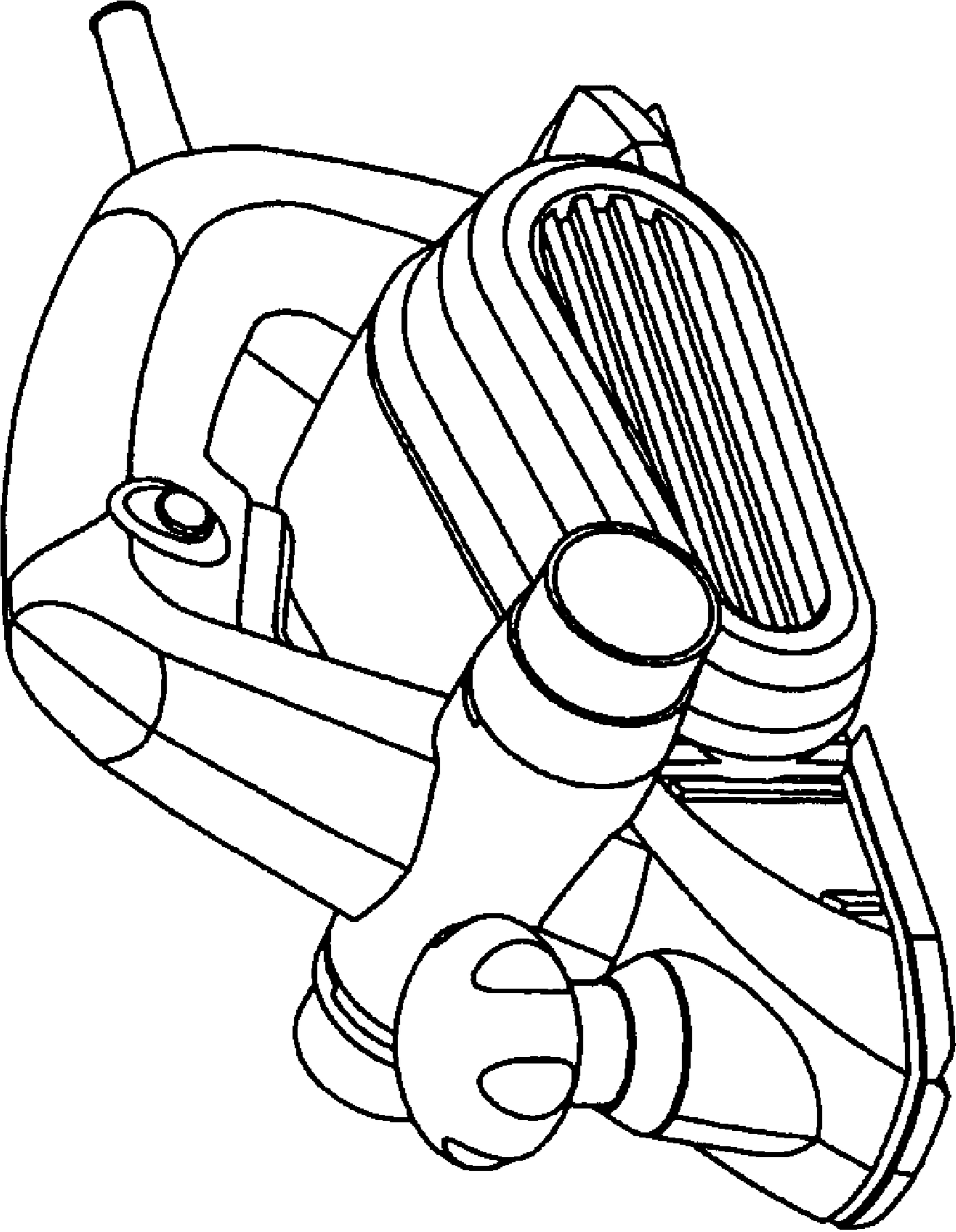


Fig. 1

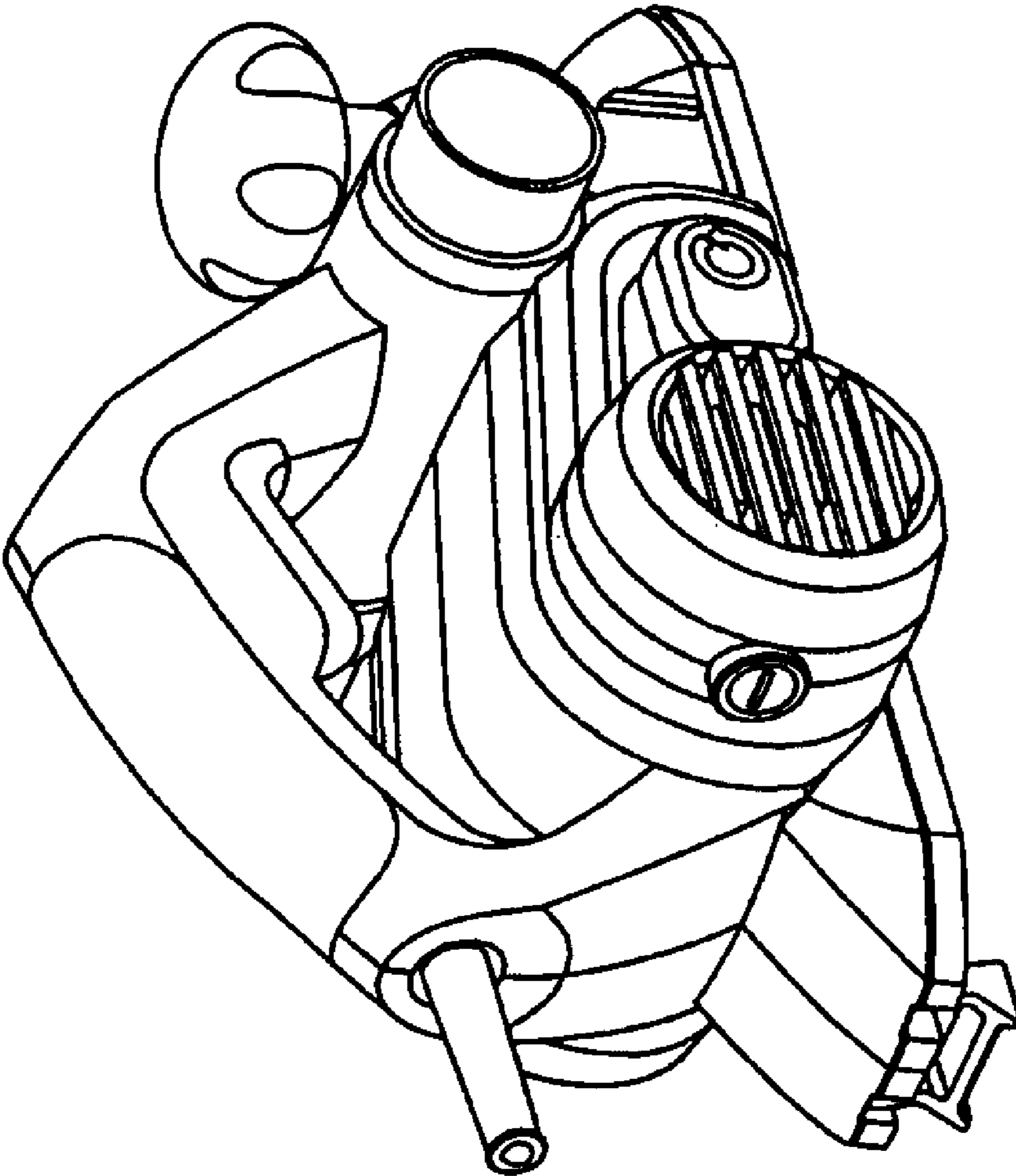


Fig. 2

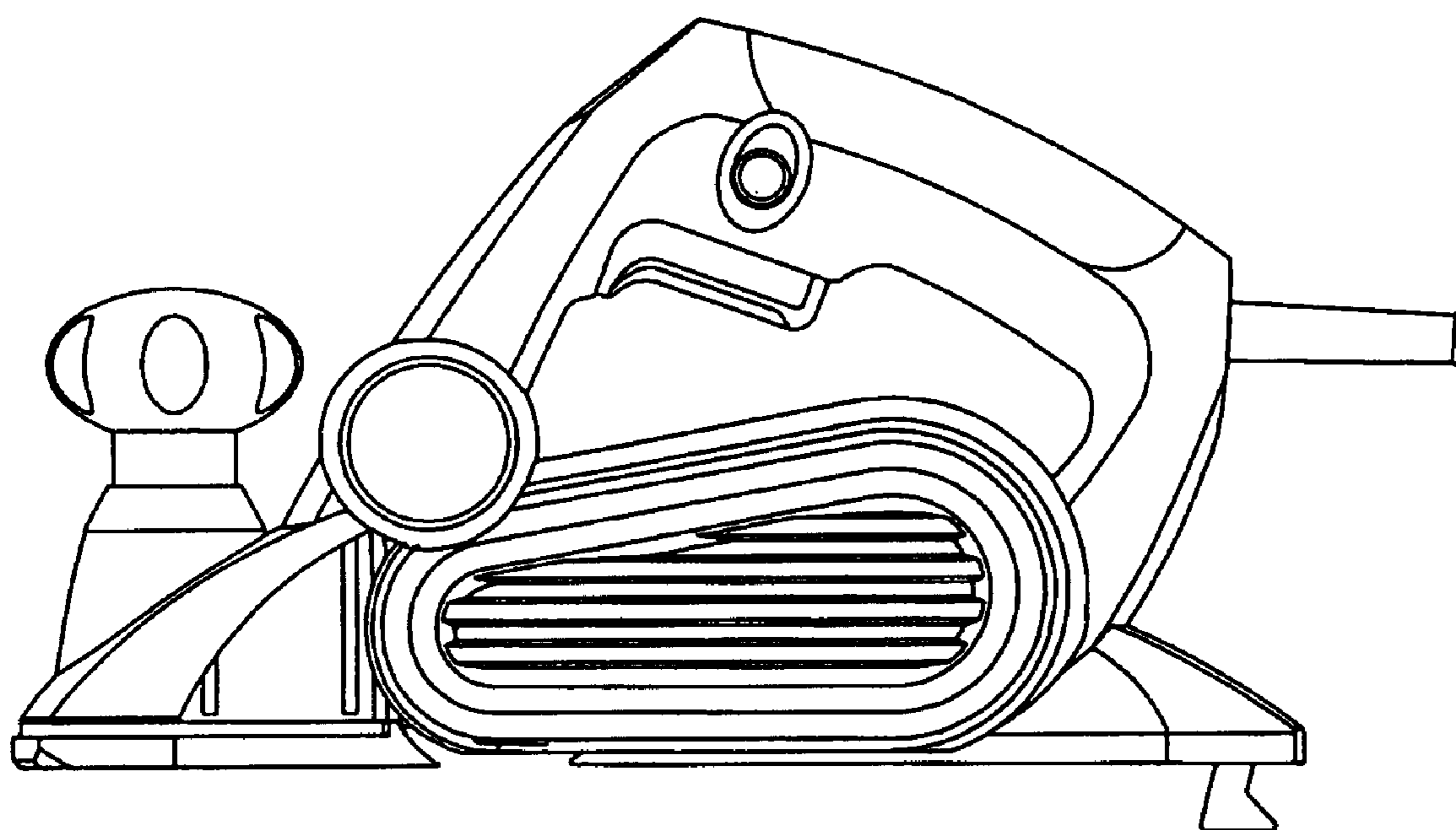


Fig. 3

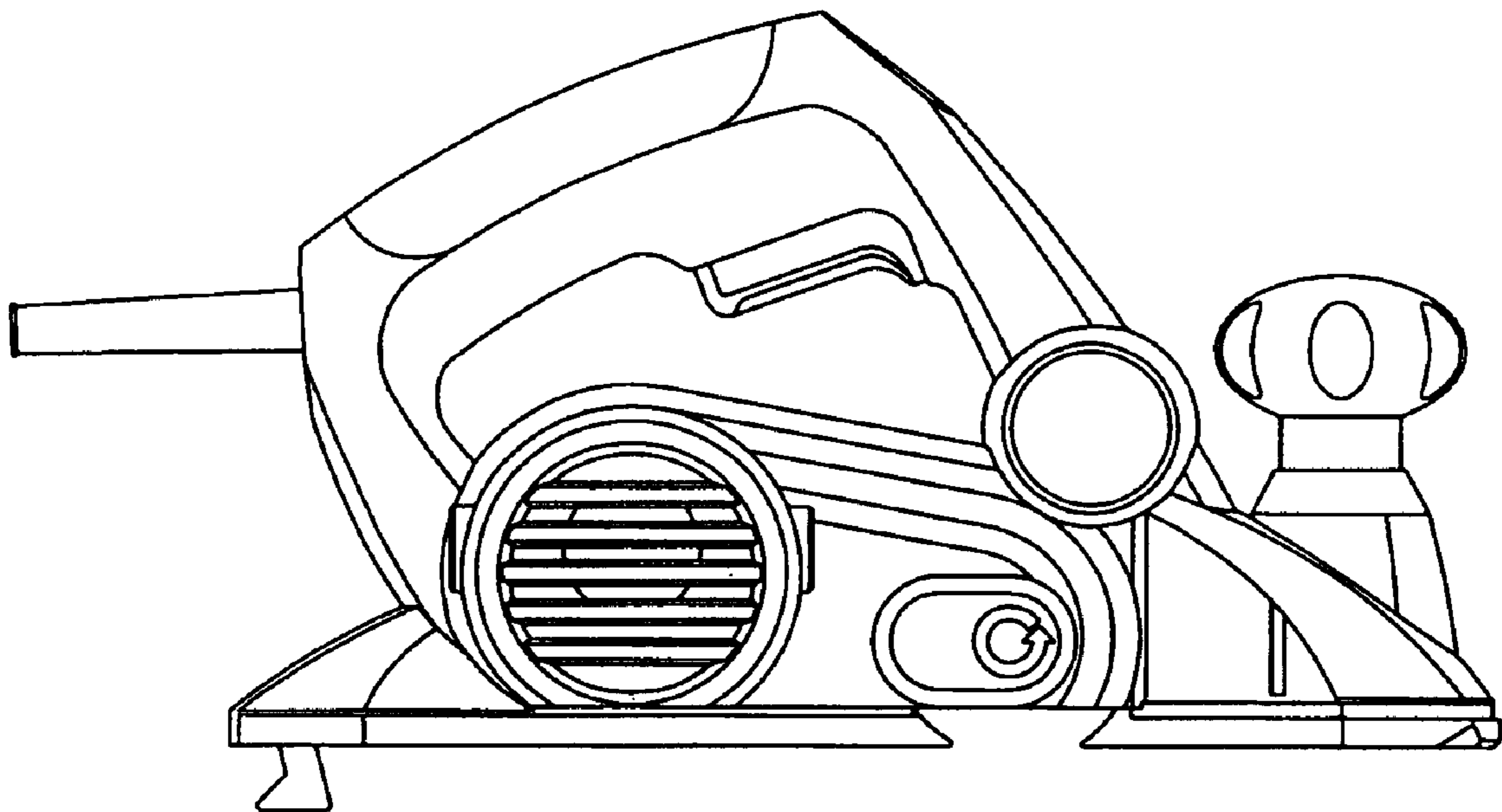


Fig. 4

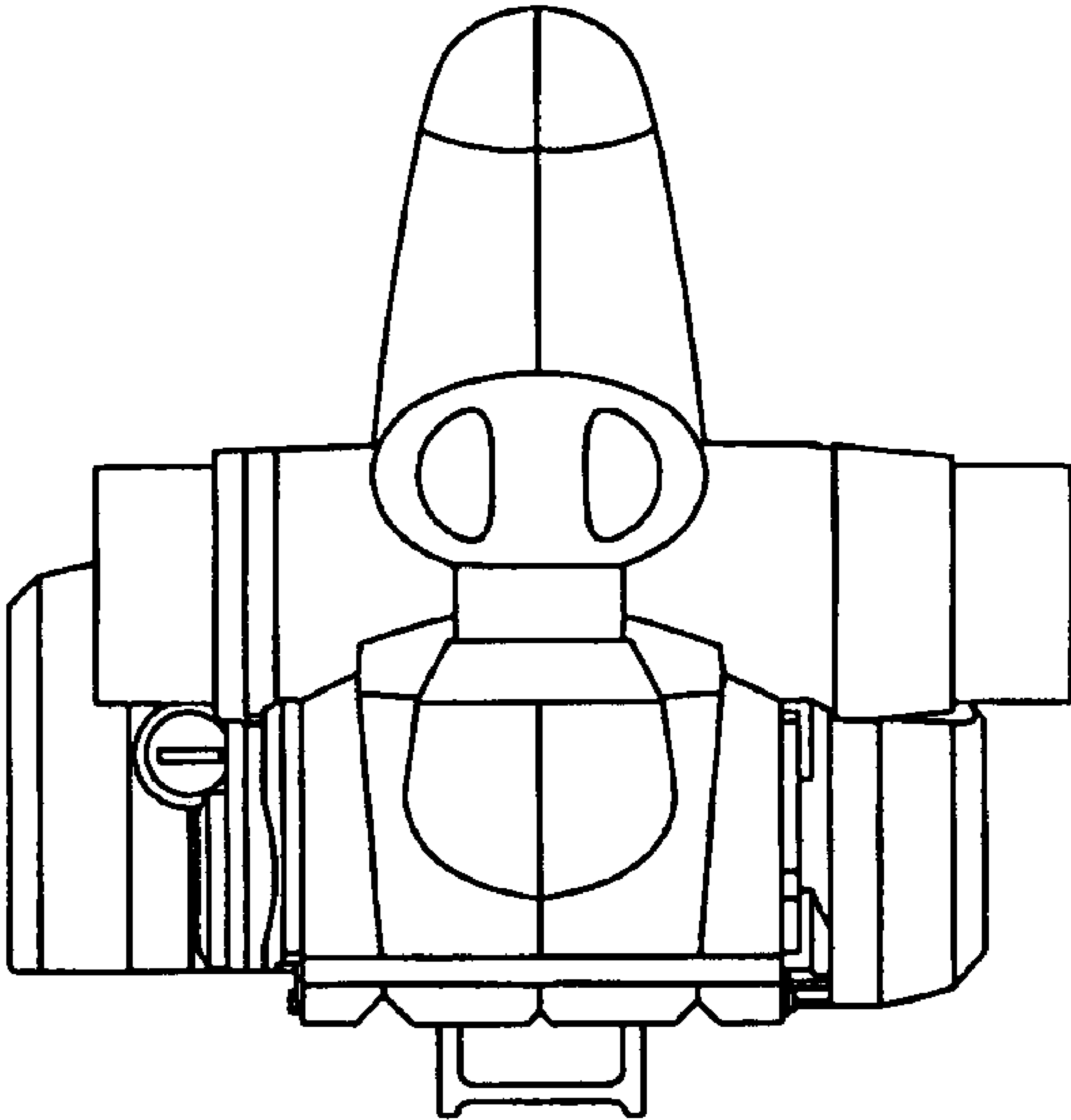


Fig. 5

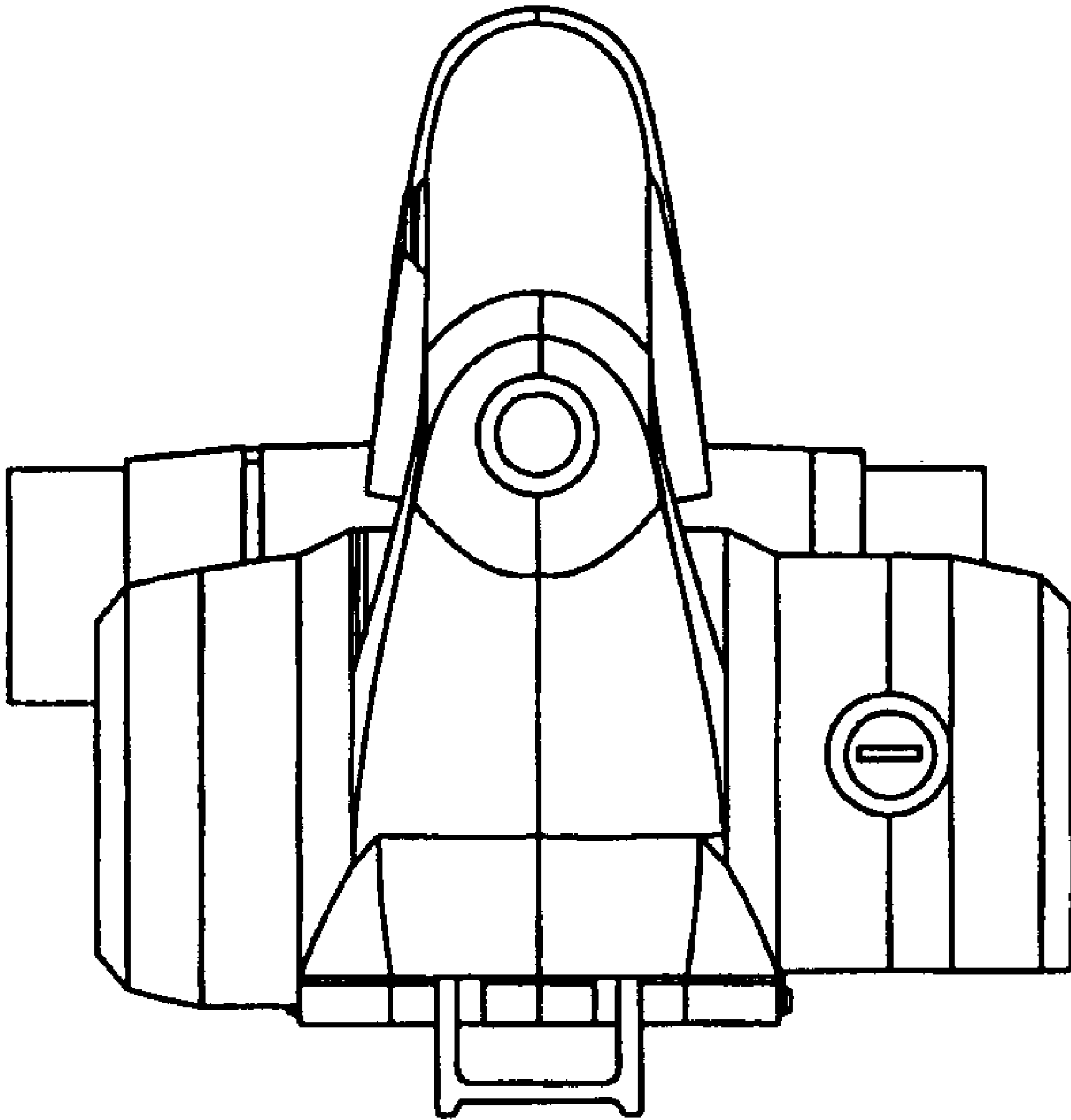


Fig. 6

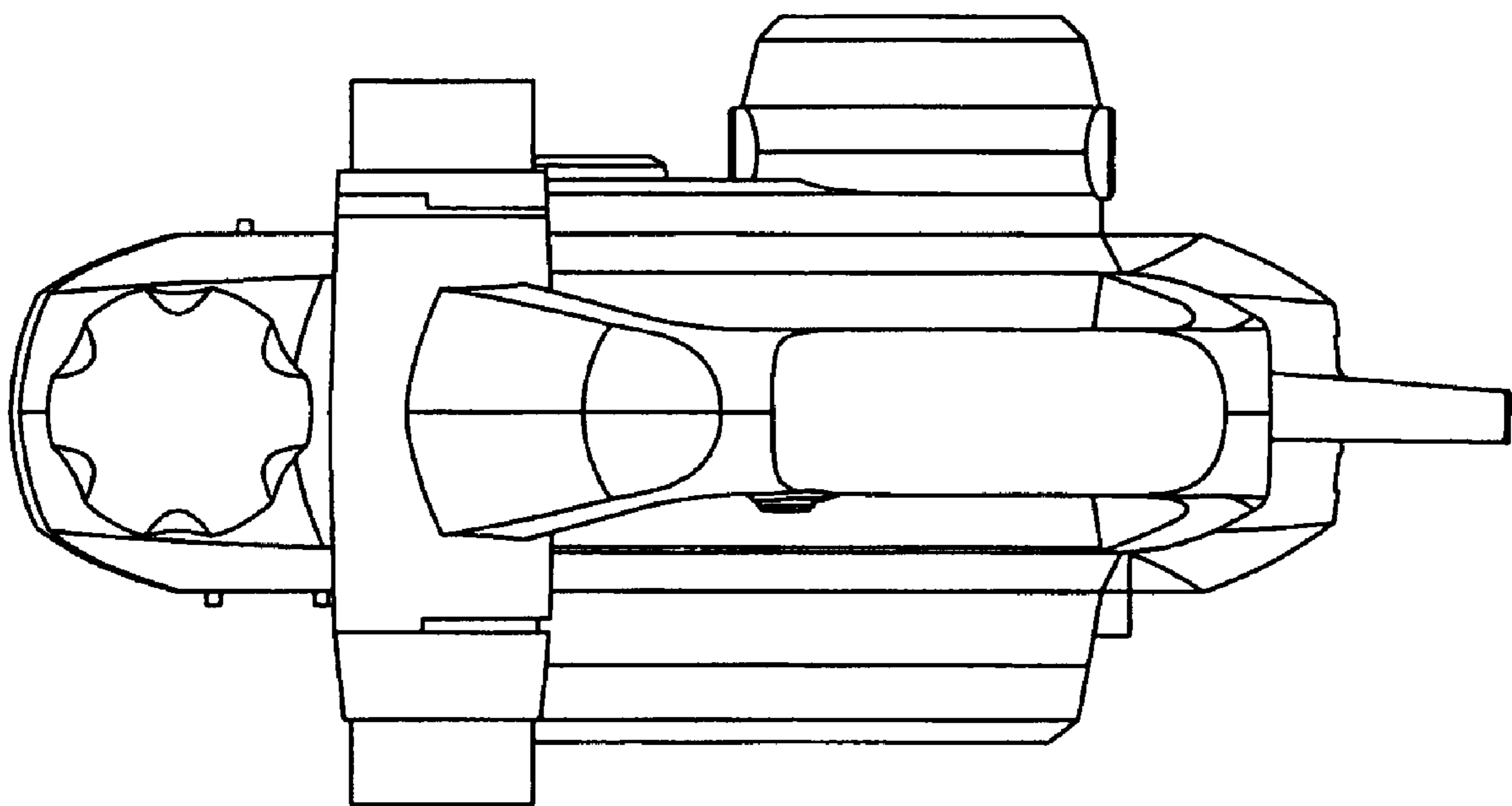


Fig. 7



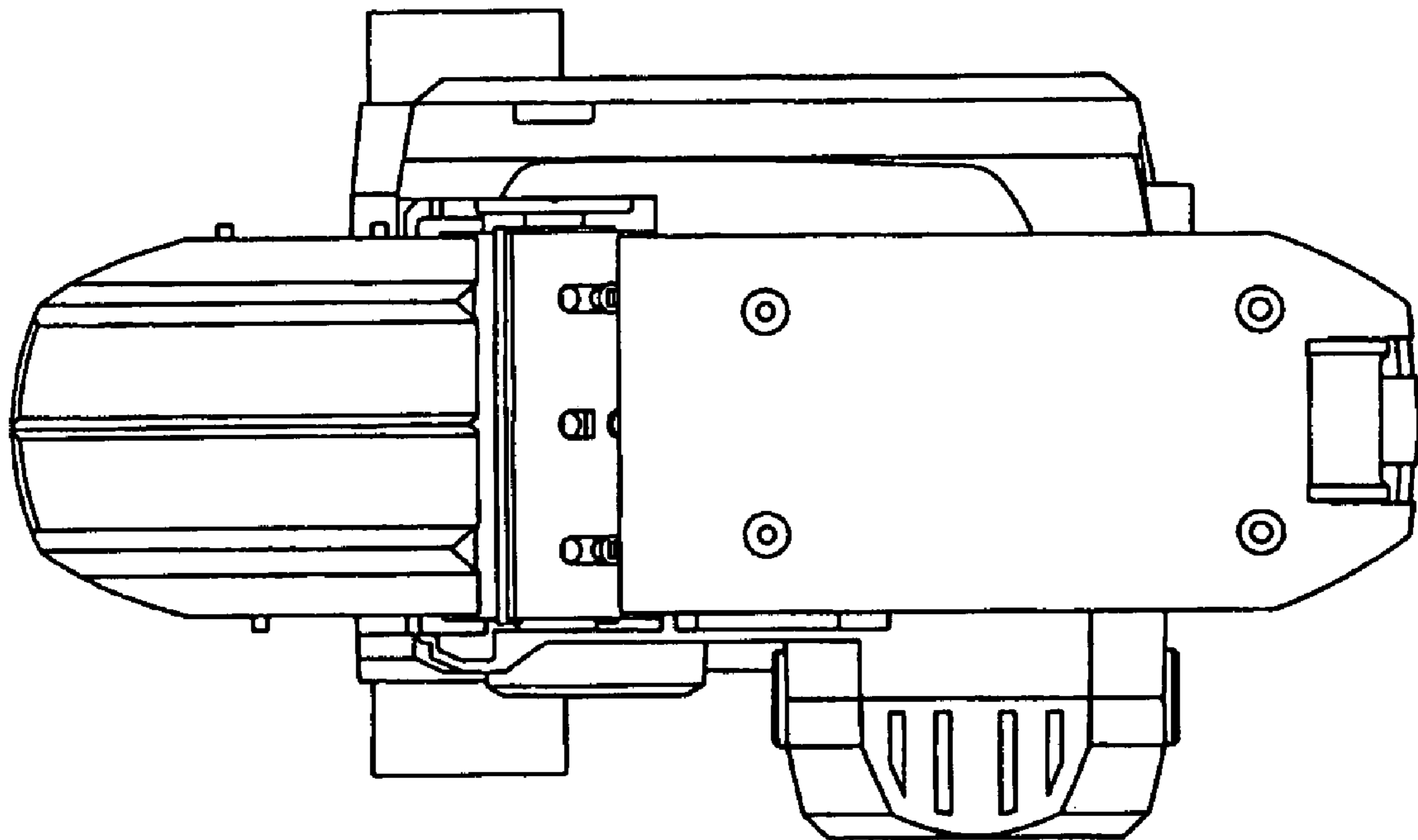


Fig. 8

UNITED STATES PATENT AND TRADEMARK OFFICE  
**CERTIFICATE OF CORRECTION**

PATENT NO. : Des. 528,388 S  
APPLICATION NO. : 29/242718  
DATED : September 19, 2006  
INVENTOR(S) : Paolo Andriolo et al.

Page 1 of 1

It is certified that error appears in the above-identified patent and that said Letters Patent is hereby corrected as shown below:

In the Title Page Col. 2 line 25, under Description, FIG. 7, please delete the comma after "and,"

Signed and Sealed this

Twenty-sixth Day of December, 2006

A handwritten signature in black ink on a light gray dotted background. The signature reads "Jon W. Dudas" in a cursive style.

JON W. DUDAS

*Director of the United States Patent and Trademark Office*