



US00D528387S

(12) **United States Design Patent**
Robson

(10) **Patent No.:** **US D528,387 S**

(45) **Date of Patent:** **** Sep. 19, 2006**

(54) **MOUSE SANDER**

(75) Inventor: **Nigel Robson**, Gateshead (GB)

(73) Assignee: **Black & Decker Inc.**, Newark, DE (US)

(**) Term: **14 Years**

(21) Appl. No.: **29/235,147**

(22) Filed: **Jul. 28, 2005**

(30) **Foreign Application Priority Data**

Feb. 3, 2005 (GB) 3020194

(51) **LOC (8) Cl.** **08-01**

(52) **U.S. Cl.** **D8/62**

(58) **Field of Classification Search** D8/67,
D8/62, 61; D32/15, 17, 19, 50; D4/102; 451/359,
451/358, 357, 356, 355, 354, 353, 351, 344,
451/456, 451

See application file for complete search history.

(56) **References Cited**

U.S. PATENT DOCUMENTS

D374,386 S 10/1996 Bosten et al.
D413,242 S * 8/1999 Robson D8/62
D413,245 S * 8/1999 Robson D8/70
D418,263 S 12/1999 Rees
D435,768 S * 1/2001 Duffy D8/62
6,179,696 B1 * 1/2001 Duffy 451/357
D447,397 S 9/2001 Netzler
D453,460 S * 2/2002 Lui D8/62

D478,488 S 8/2003 Bruno et al.
D503,599 S 4/2005 Wu
6,875,095 B1 4/2005 Walker
D504,602 S 5/2005 Aglassinger et al.
D509,720 S * 9/2005 Robson D8/62
2004/0078936 A1 * 4/2004 Walker et al. 16/430
2006/0003680 A1 * 1/2006 Robson 451/357

FOREIGN PATENT DOCUMENTS

GB 3004307 6/2002
GB 3009347 12/2002
GB 3018181 7/2004

* cited by examiner

Primary Examiner—Cathron C. Brooks

Assistant Examiner—Austin Murphy

(74) *Attorney, Agent, or Firm*—Bruce S. Shapiro; John Yun; Wesley W. Muller

(57) **CLAIM**

The ornamental design for a mouse sander, as shown and described.

DESCRIPTION

FIG. 1 is a front/left perspective view of a mouse sander.

FIG. 2 is a left side elevational view thereof.

FIG. 3 is a right side elevational view thereof.

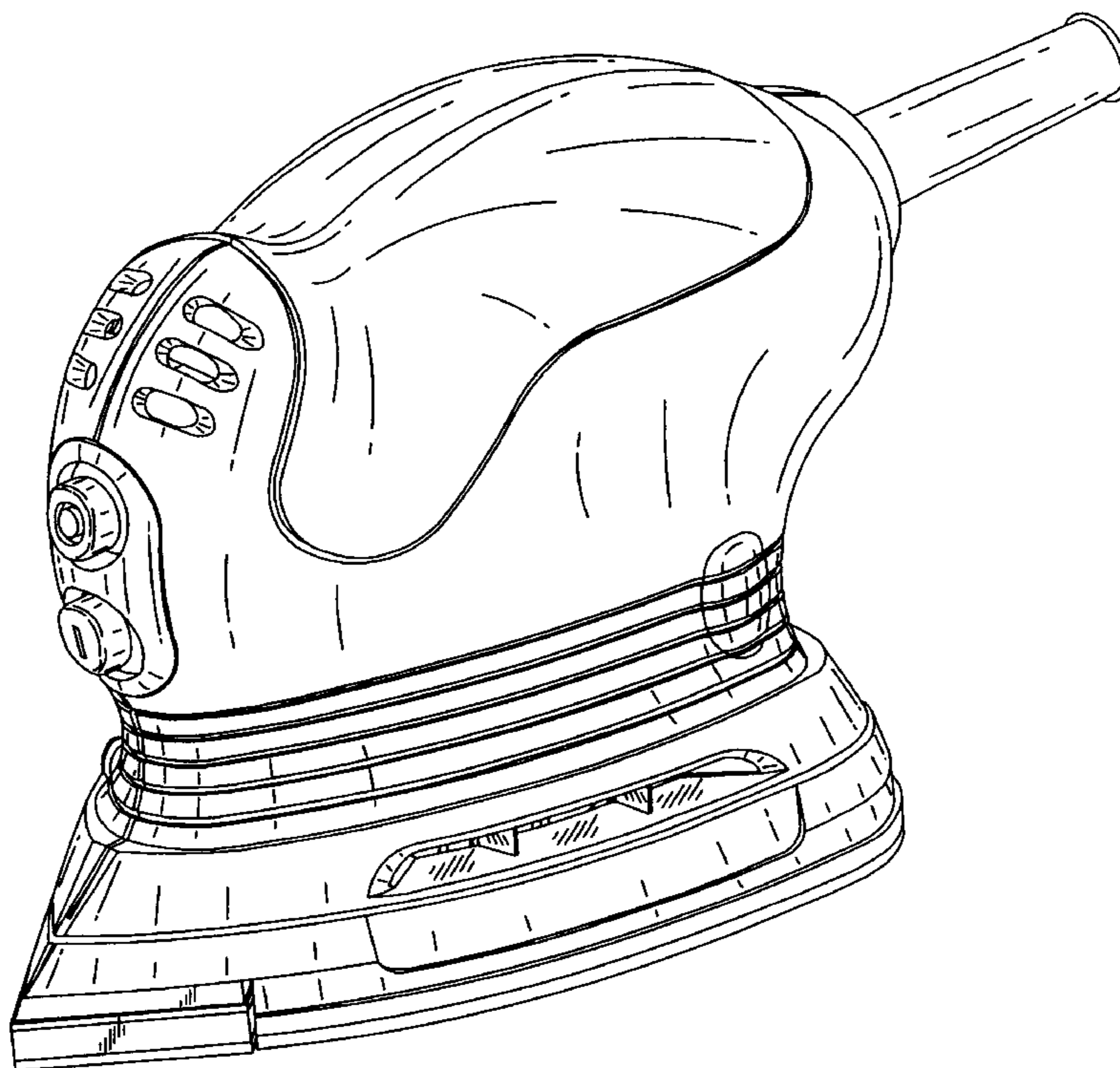
FIG. 4 is a front view thereof.

FIG. 5 is a rear view thereof.

FIG. 6 is a top elevational view thereof; and,

FIG. 7 is a bottom elevational view thereof.

1 Claim, 6 Drawing Sheets



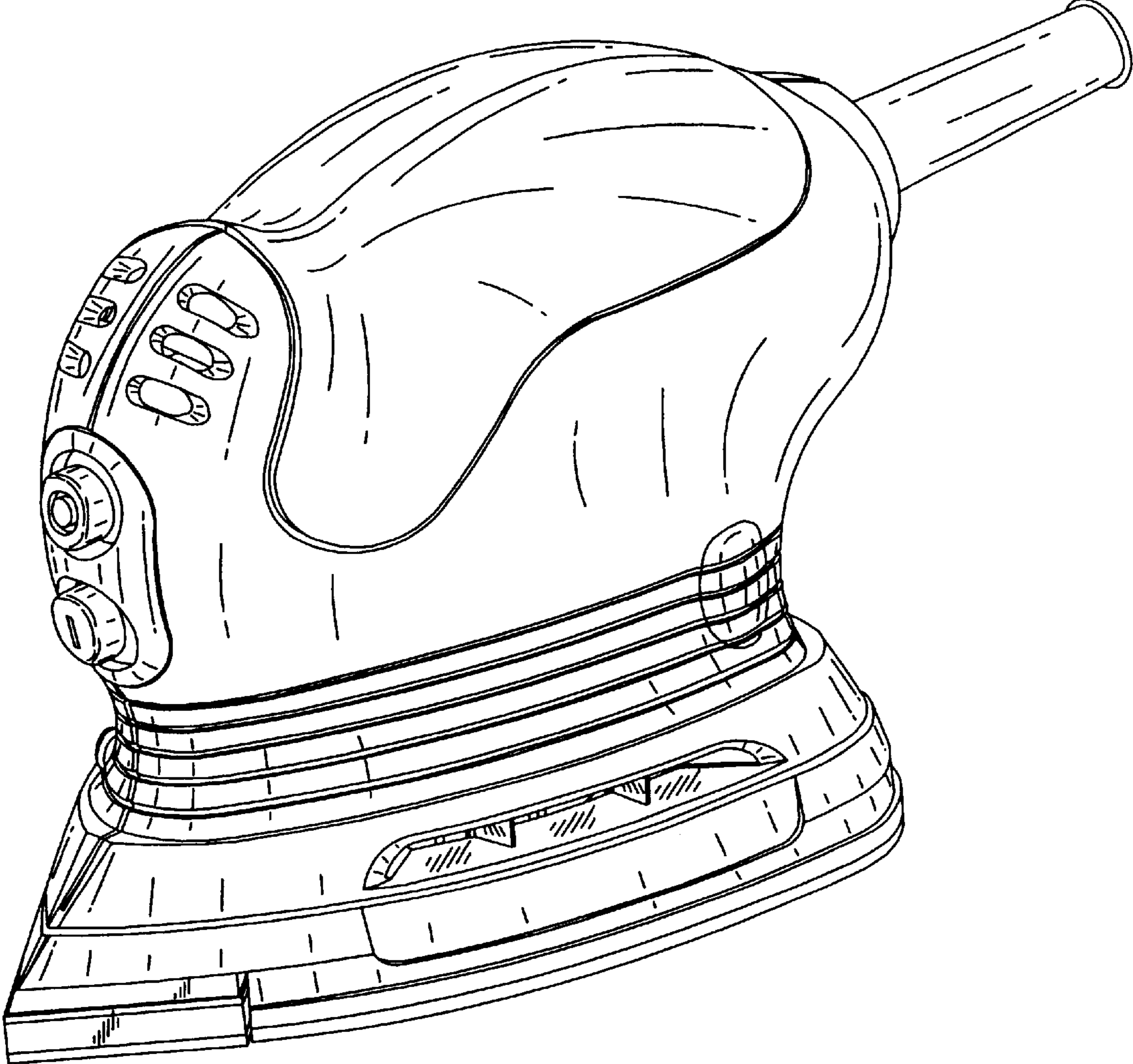


FIG.1

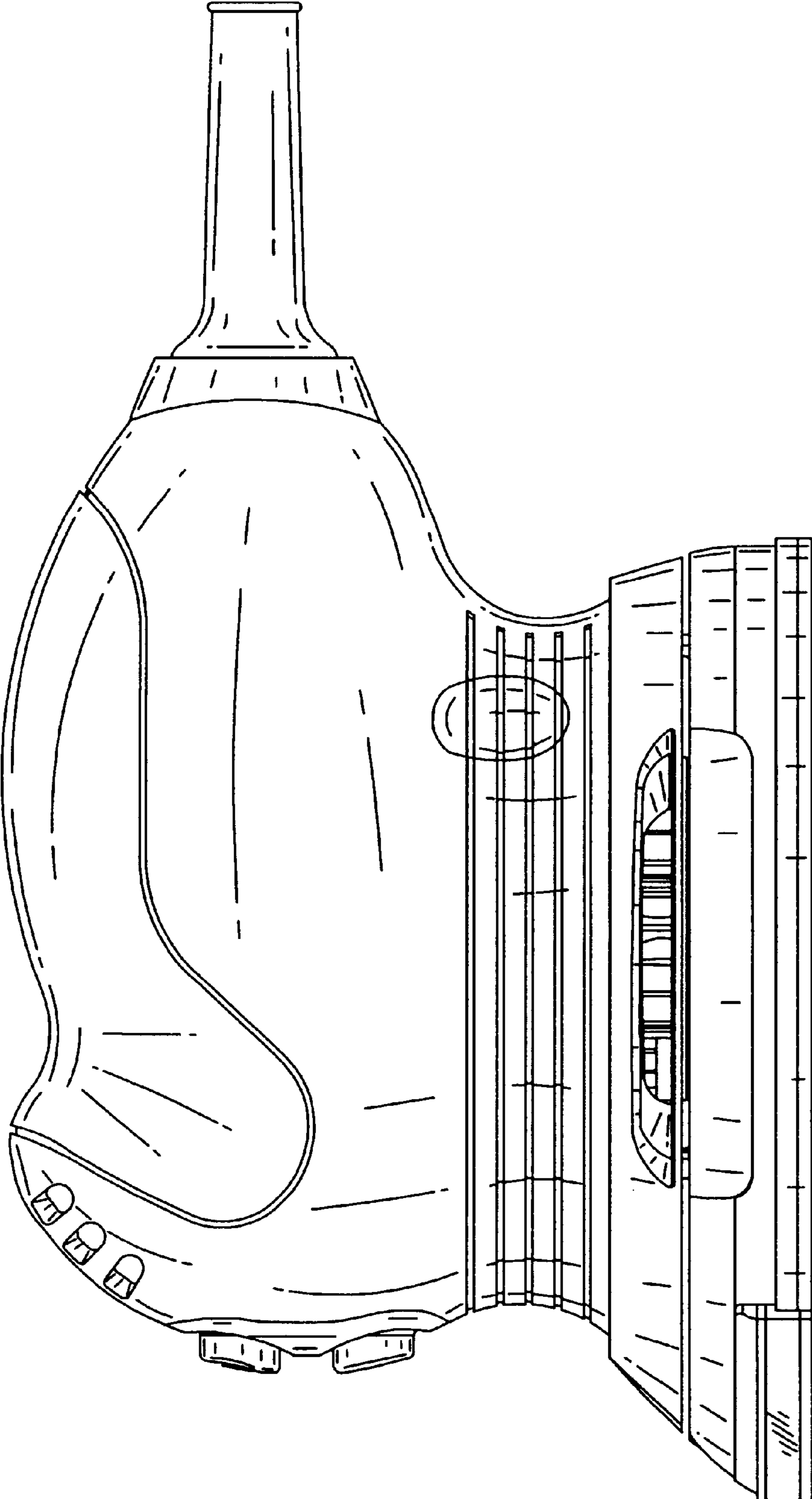


FIG.2

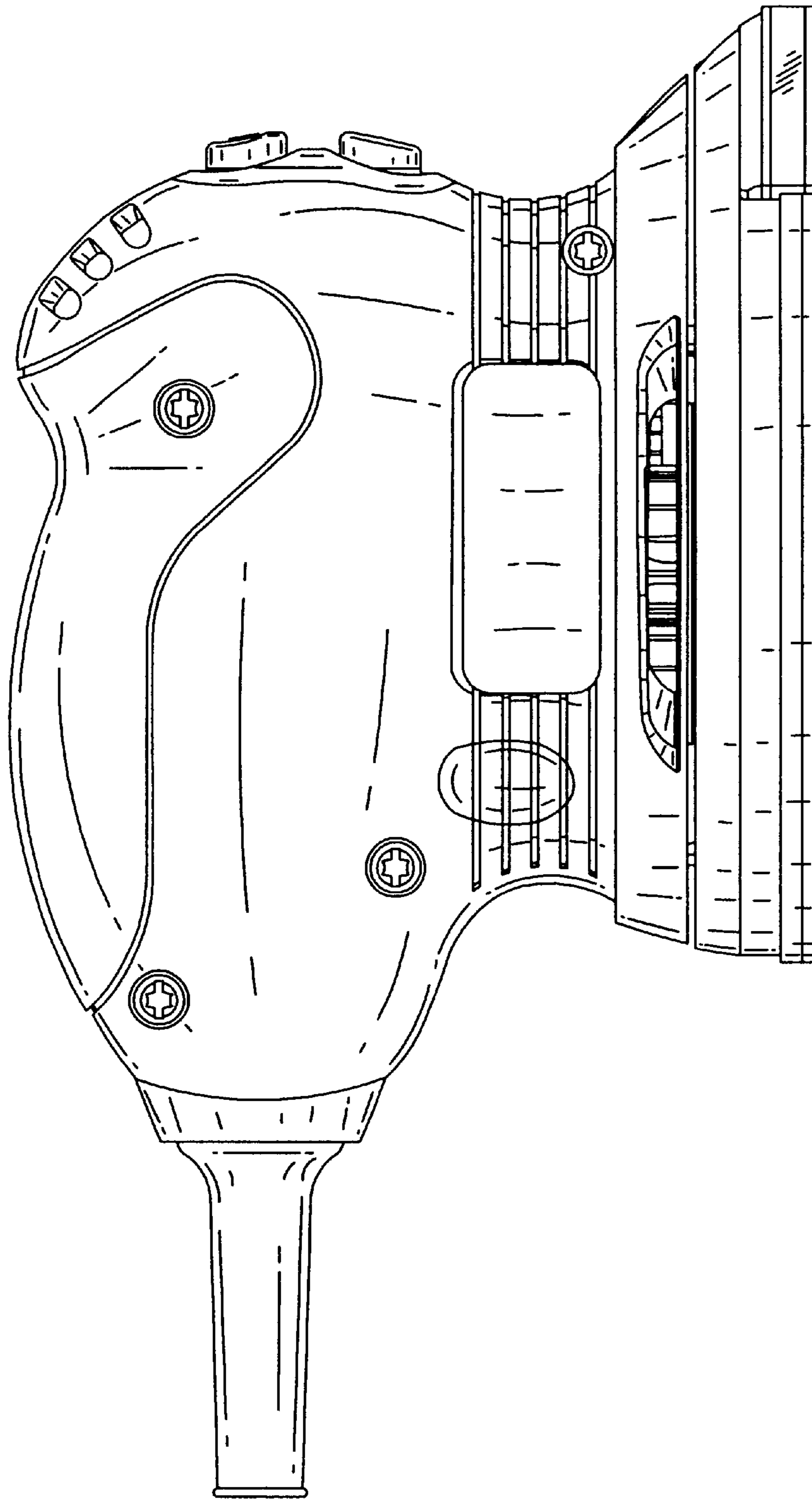


FIG.3

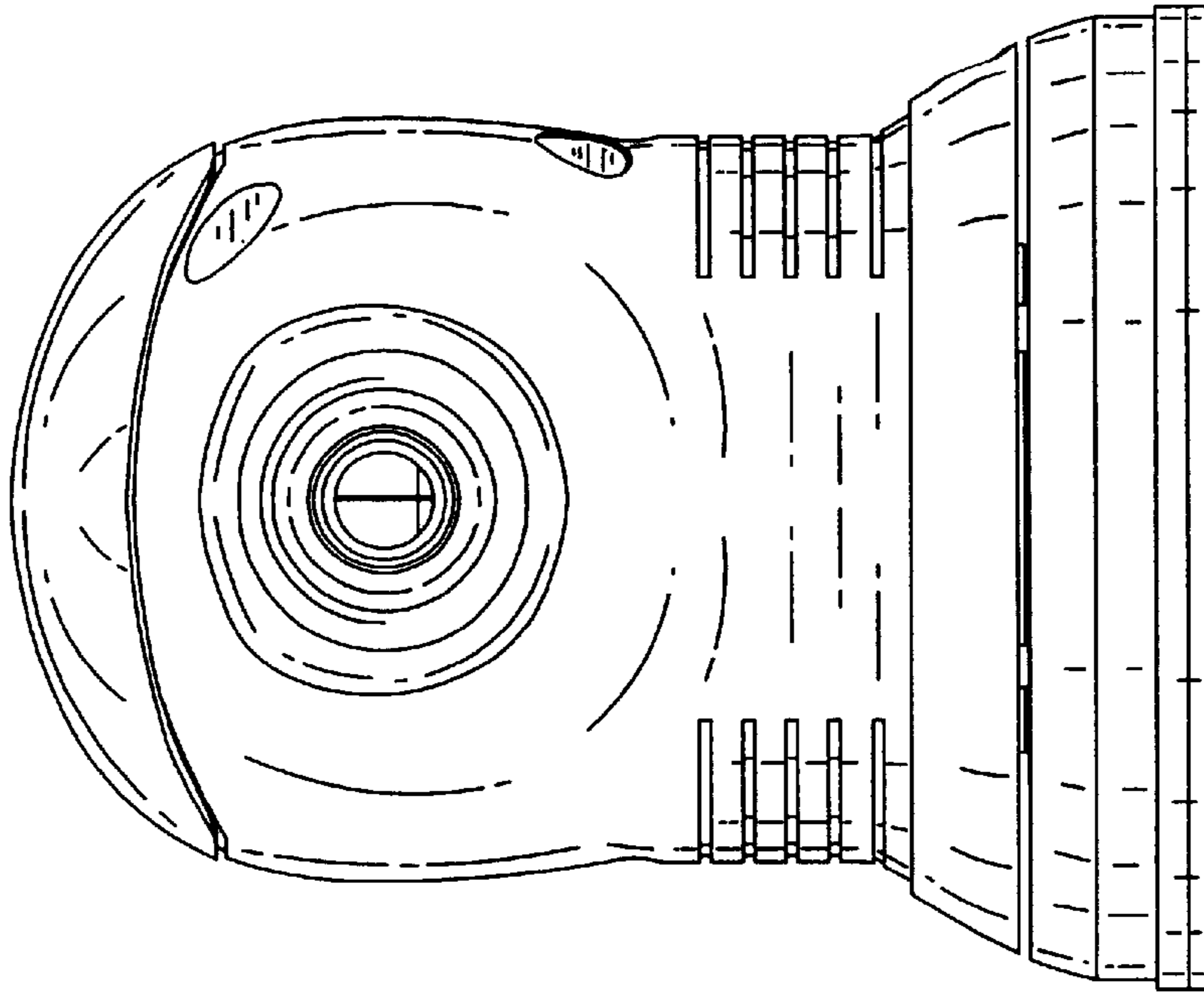


FIG.5

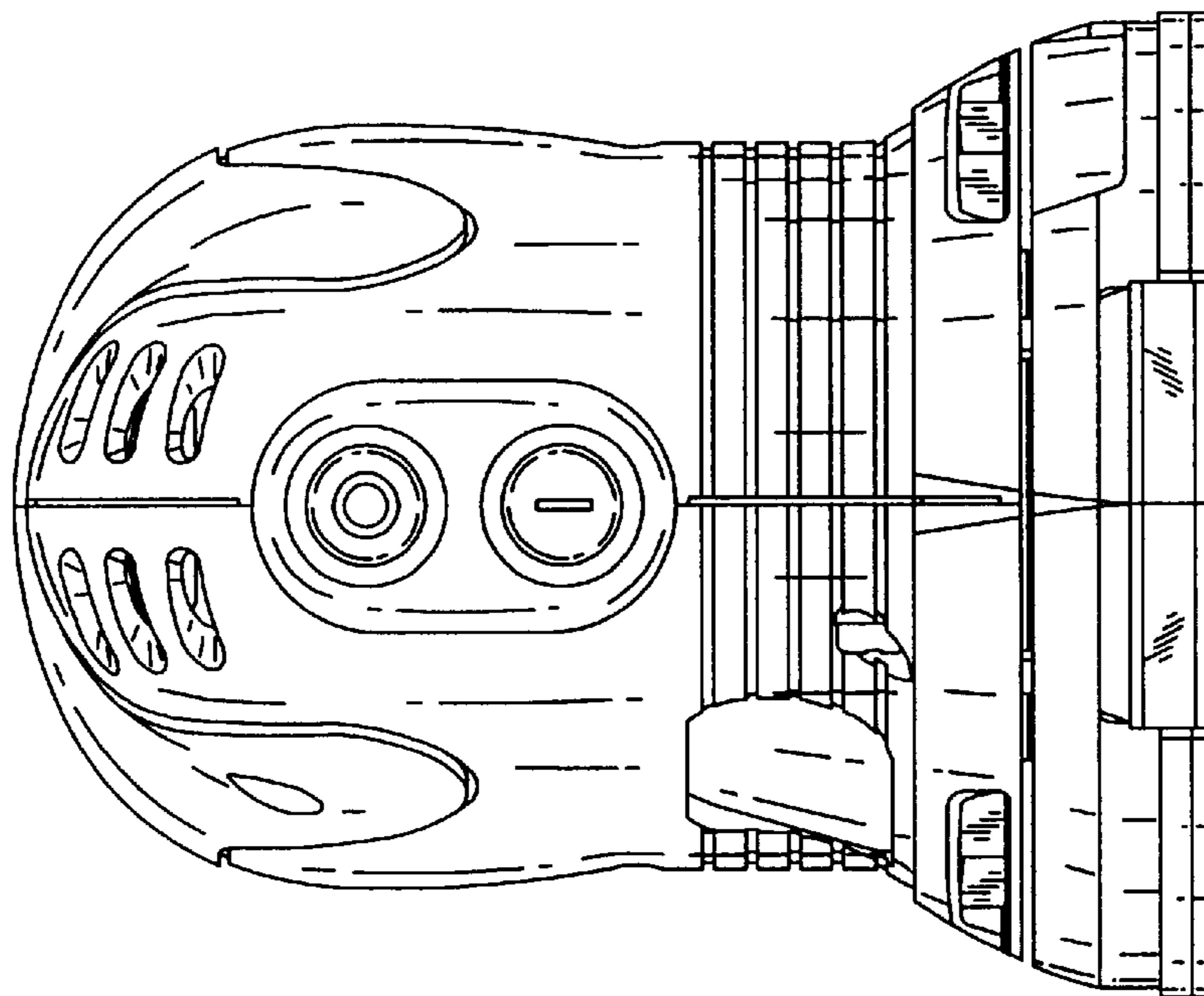


FIG.4

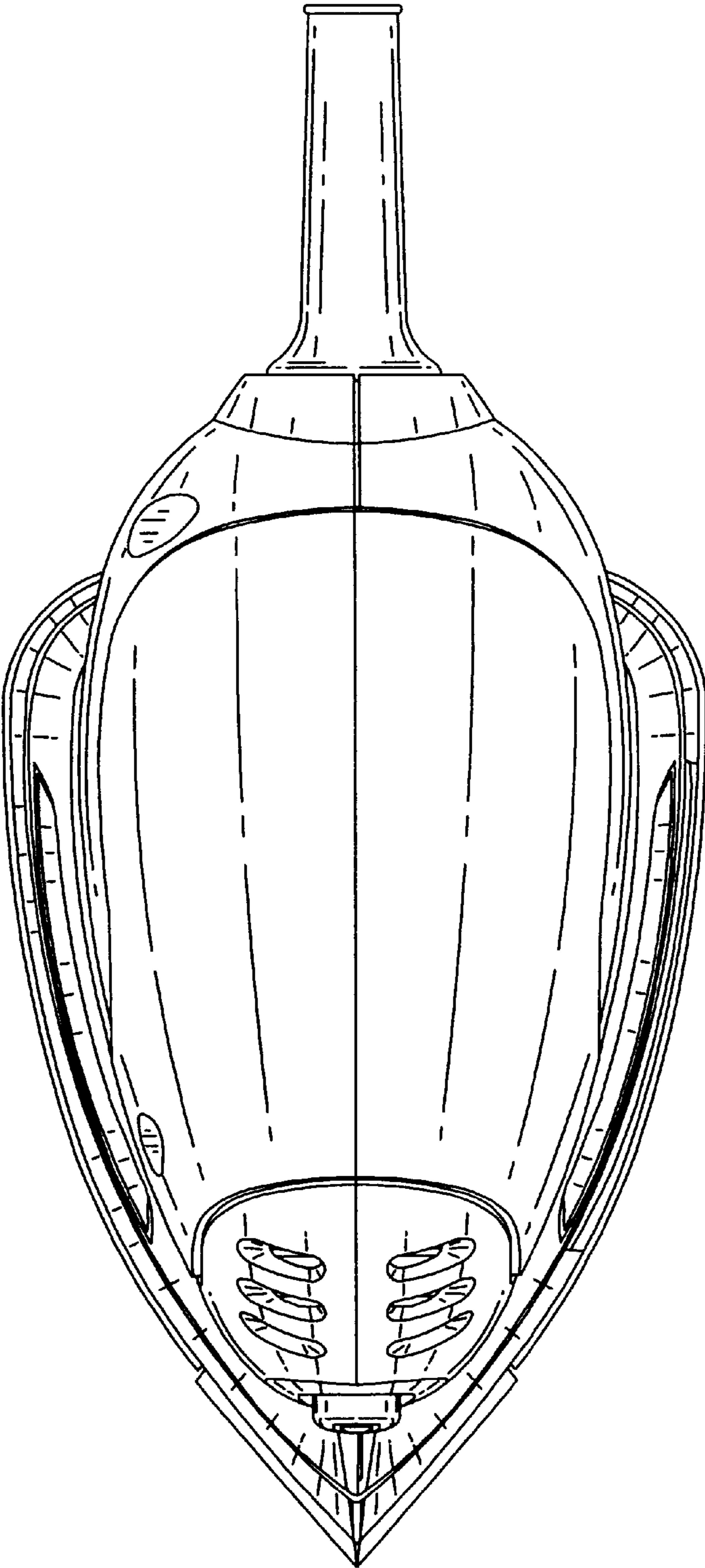


FIG.6

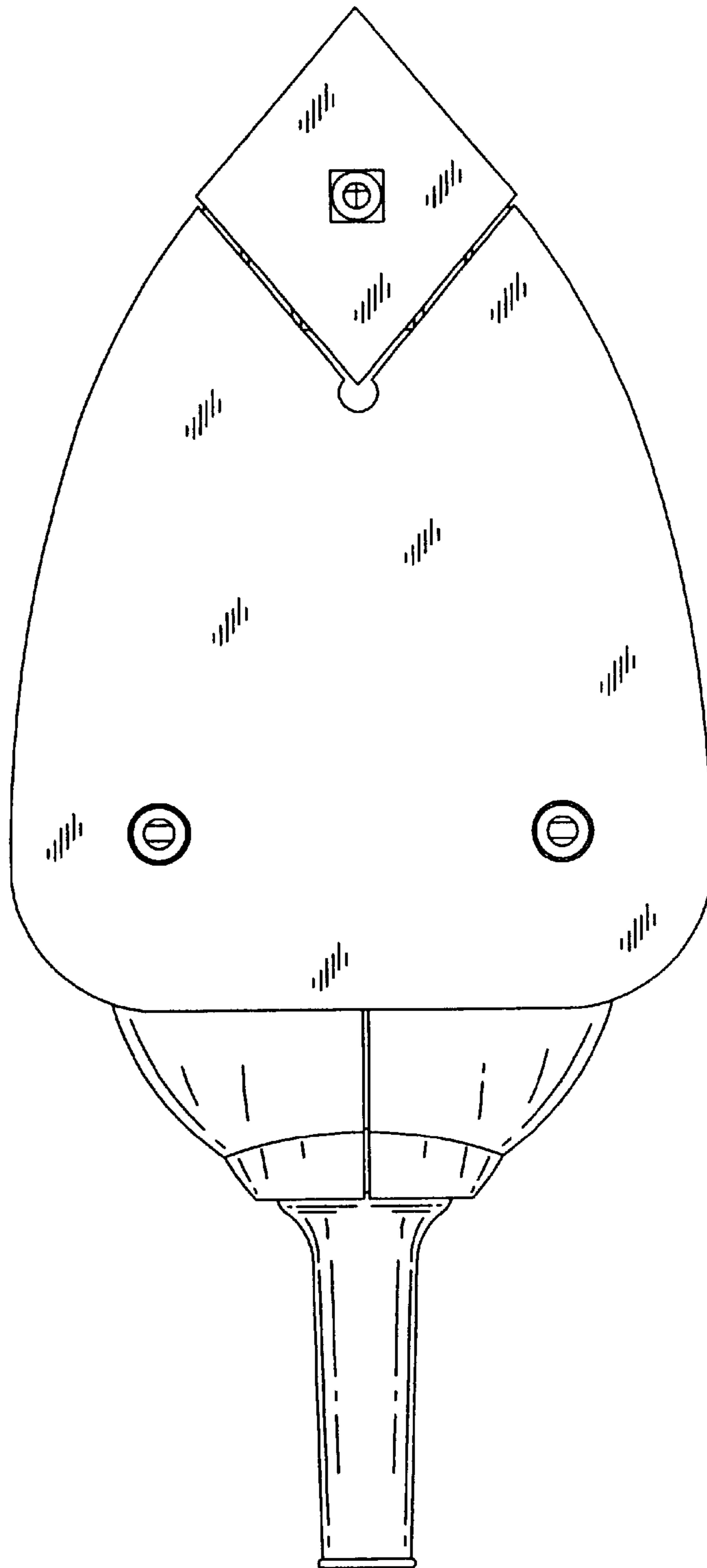


FIG.7