

US00D528386S

(12) **United States Design Patent**  
**Wu**

(10) **Patent No.:** **US D528,386 S**

(45) **Date of Patent:** **\*\* Sep. 19, 2006**

(54) **PALM SANDER**

(75) Inventor: **Shuming Wu**, Nanjing (CN)

(73) Assignee: **Nanjing Chervon Industry Co., Ltd.**,  
Jiangsu (CN)

(\*\*) Term: **14 Years**

(21) Appl. No.: **29/216,980**

(22) Filed: **Nov. 12, 2004**

(30) **Foreign Application Priority Data**

May 13, 2004 (JP) ..... 2004300185626

(51) **LOC (8) Cl.** ..... **08-01**

(52) **U.S. Cl.** ..... **D8/62**

(58) **Field of Classification Search** ..... D8/67,  
D8/62, 61; D32/15, 17, 19; D4/102; 451/456,  
451/451, 359, 358, 357, 356, 355, 354, 353,  
451/351, 344

See application file for complete search history.

(56) **References Cited**

**U.S. PATENT DOCUMENTS**

- D326,398 S \* 5/1992 Fushiya et al. .... D8/62
- D332,734 S \* 1/1993 Fushiya et al. .... D4/102
- D354,425 S \* 1/1995 Izumisawa ..... D8/62
- D356,017 S \* 3/1995 Izumisawa ..... D8/62
- D380,950 S \* 7/1997 Gildersleeve et al. .... D8/62
- D386,376 S \* 11/1997 Kaneko et al. .... D8/62

- D392,861 S \* 3/1998 Gildersleeve et al. .... D8/62
- D416,112 S \* 11/1999 Holliday et al. .... D32/19
- D469,933 S \* 2/2003 Liang-Ming ..... D32/15
- D478,488 S \* 8/2003 Bruno et al. .... D8/62
- D509,417 S \* 9/2005 Wikle et al. .... D8/62

\* cited by examiner

*Primary Examiner*—Cathron C. Brooks

*Assistant Examiner*—Austin Murphy

(74) *Attorney, Agent, or Firm*—Lowe Hauptman & Berner,  
LLP

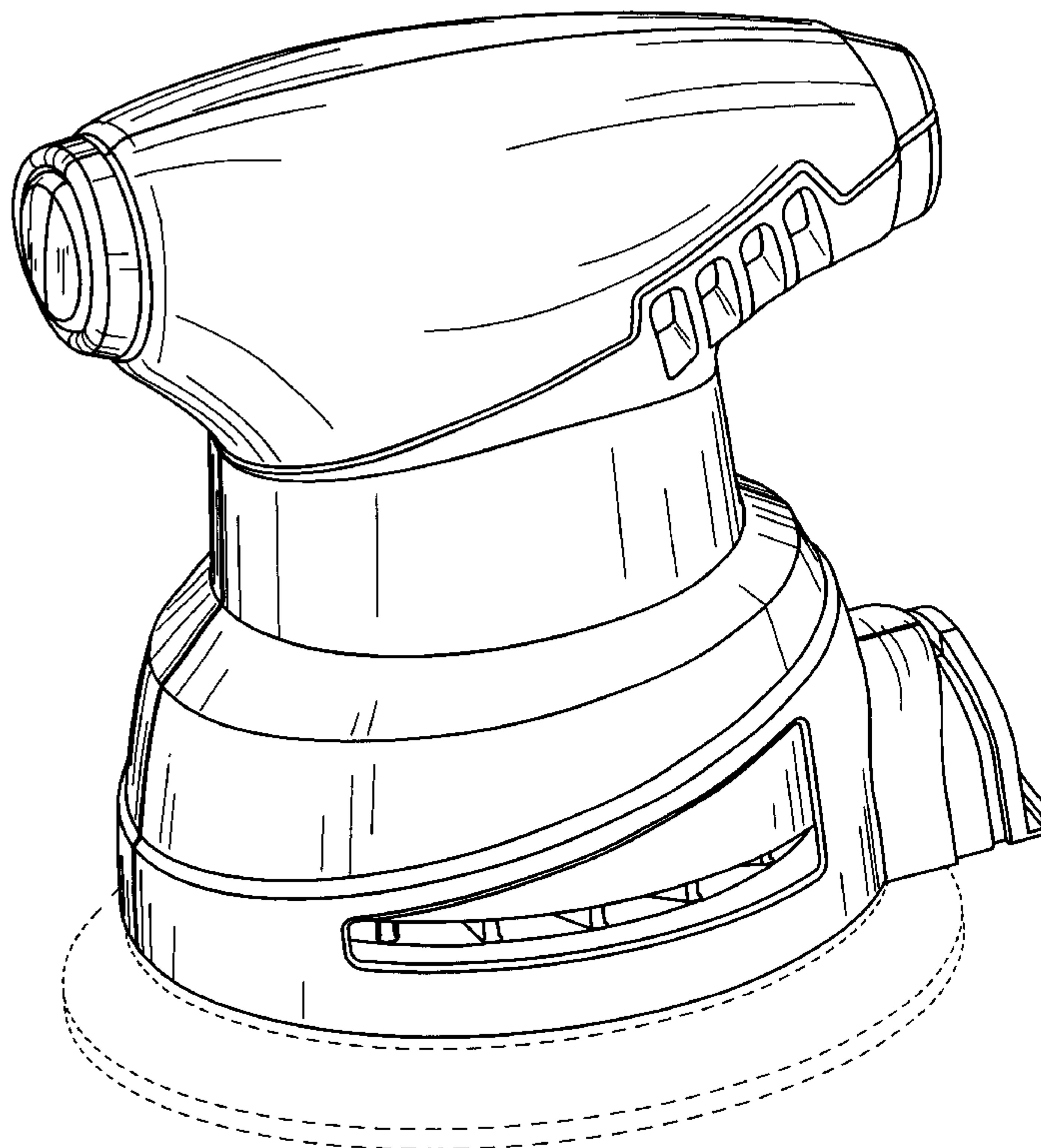
(57) **CLAIM**

The ornamental design for a palm sander, as shown and described.

**DESCRIPTION**

FIG. 1 is a front elevational view of the design;  
 FIG. 2 is a rear elevational view of the palm sander in FIG. 1;  
 FIG. 3 is a right side elevational view of the palm sander in FIG. 1;  
 FIG. 4 is a left side elevational view of the palm sander in FIG. 1;  
 FIG. 5 is a top plan view of the palm sander in FIG. 1;  
 FIG. 6 is a bottom plan view of the palm sander in FIG. 1;  
 and,  
 FIG. 7 is a perspective view of the palm sander of FIG. 1.  
 The broken lines shown in the drawings form no part of the claimed design.

**1 Claim, 7 Drawing Sheets**



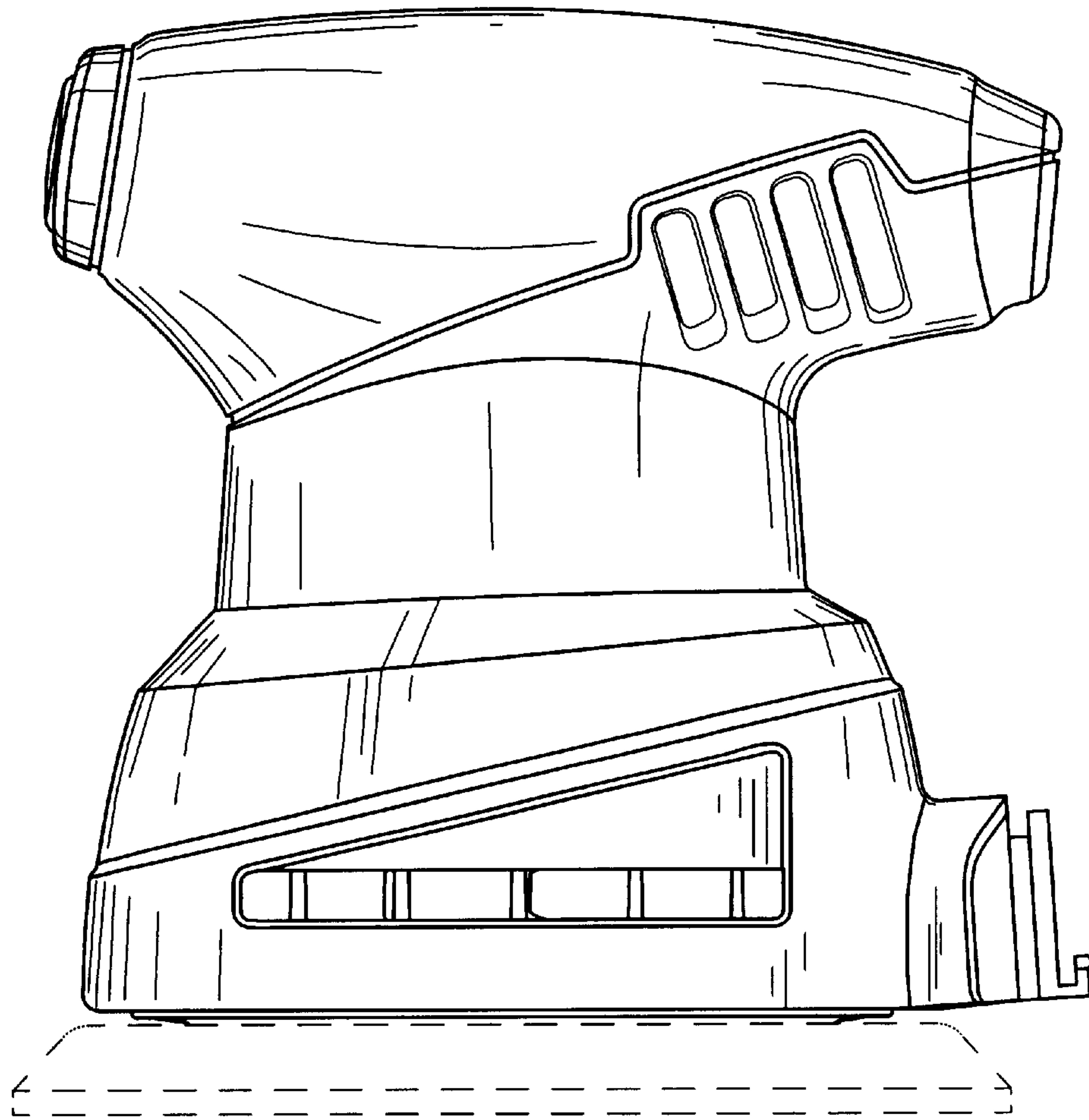


FIG.1

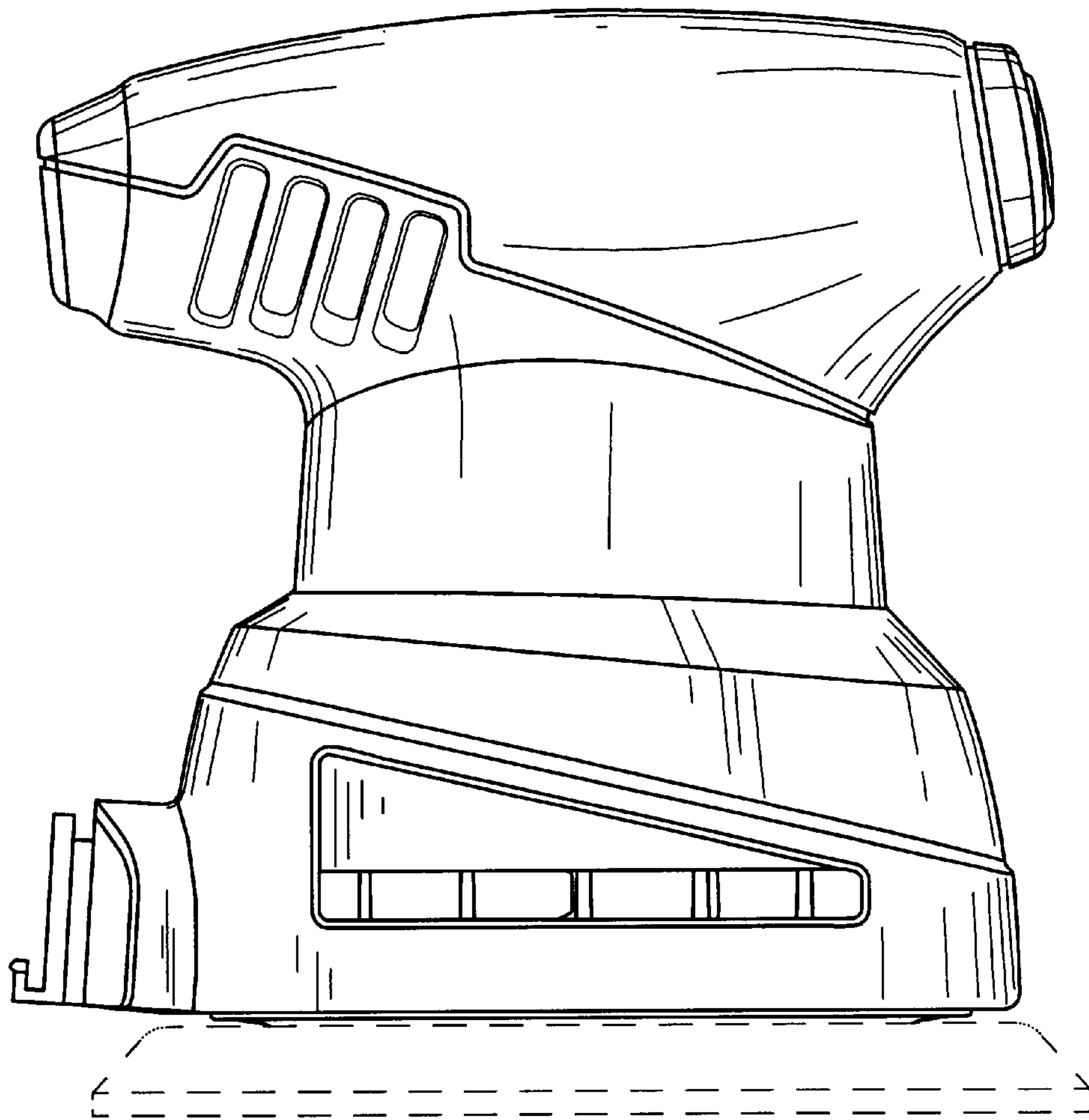


FIG.2

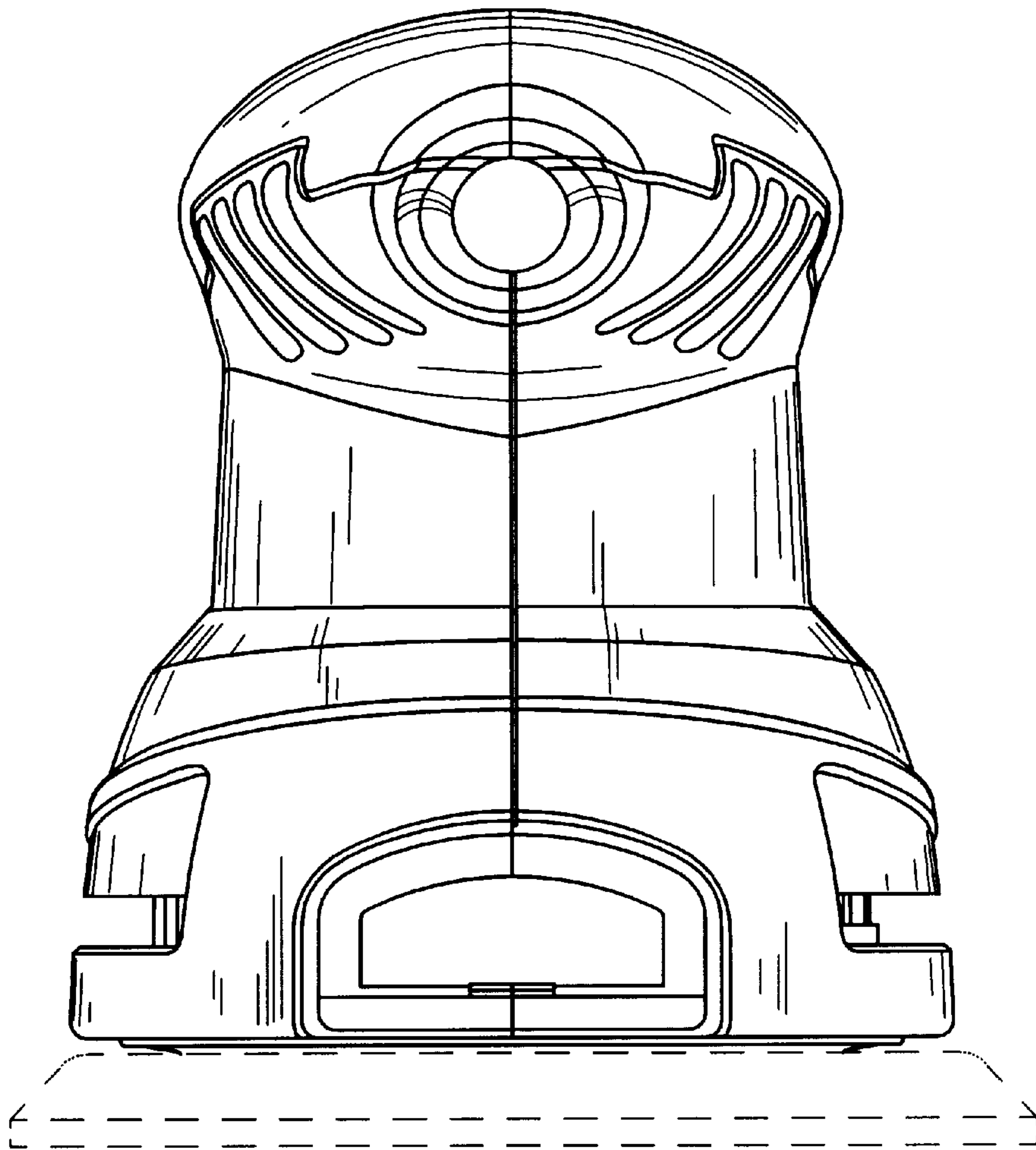


FIG.3

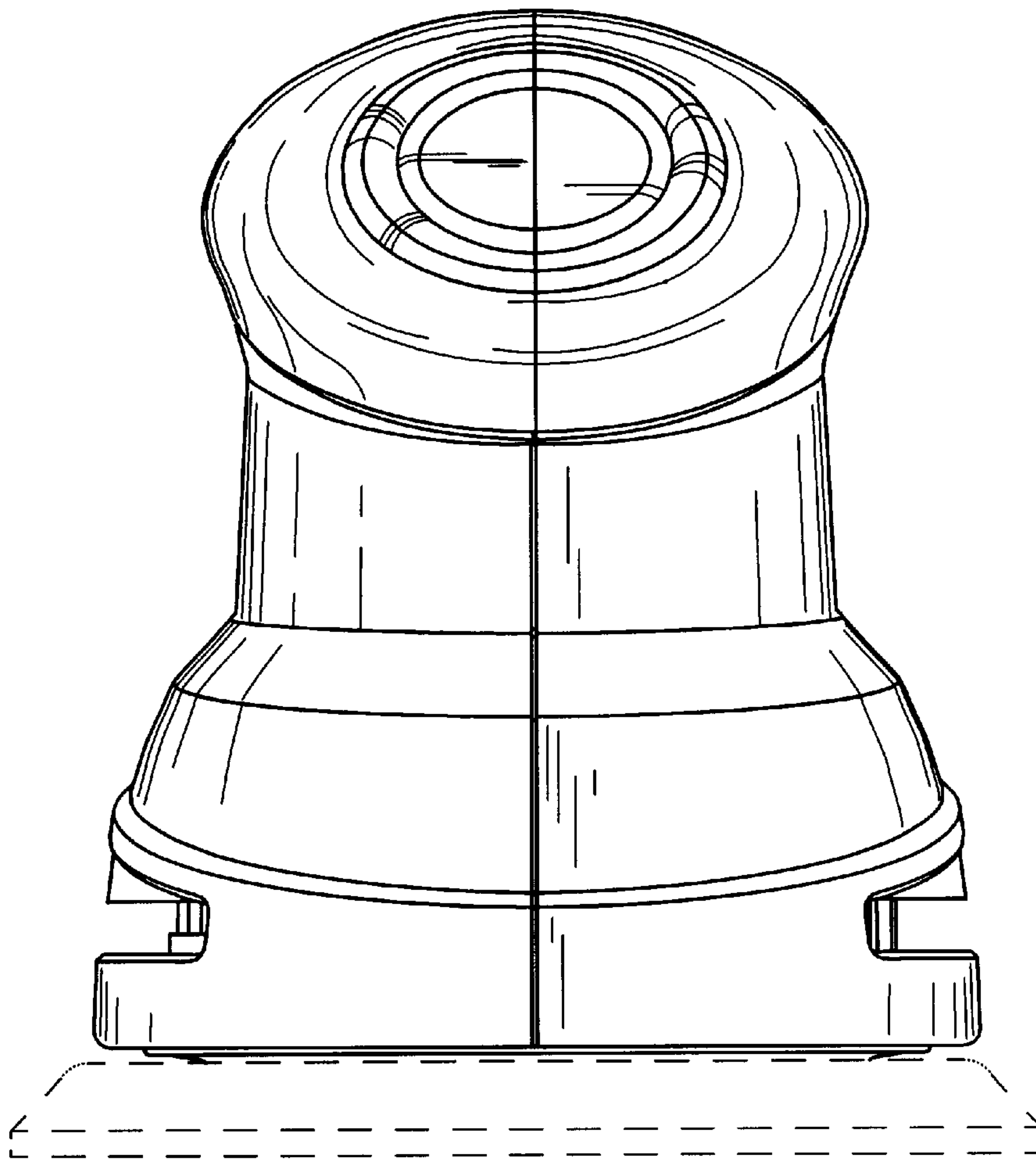


FIG.4



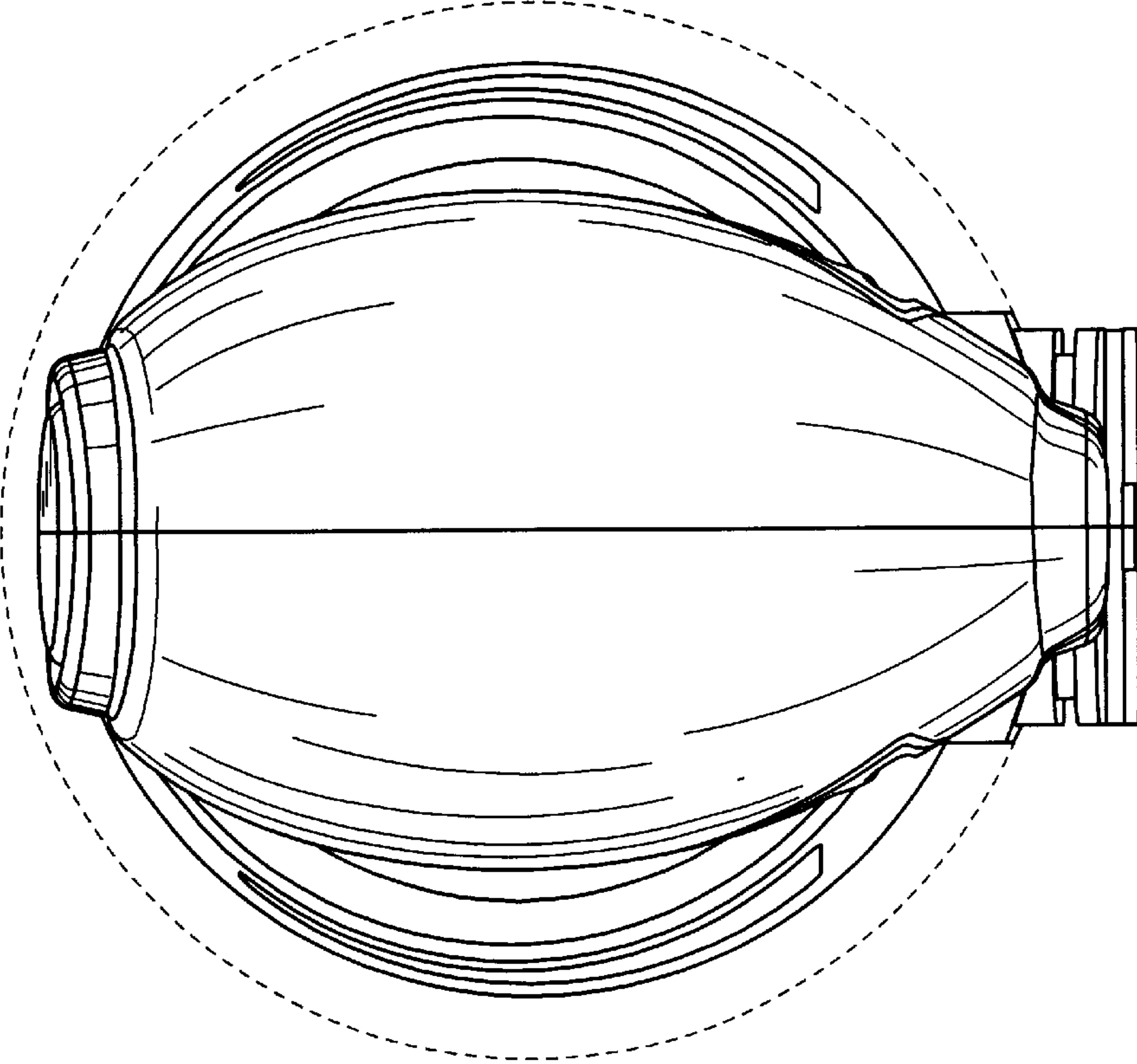


FIG.5

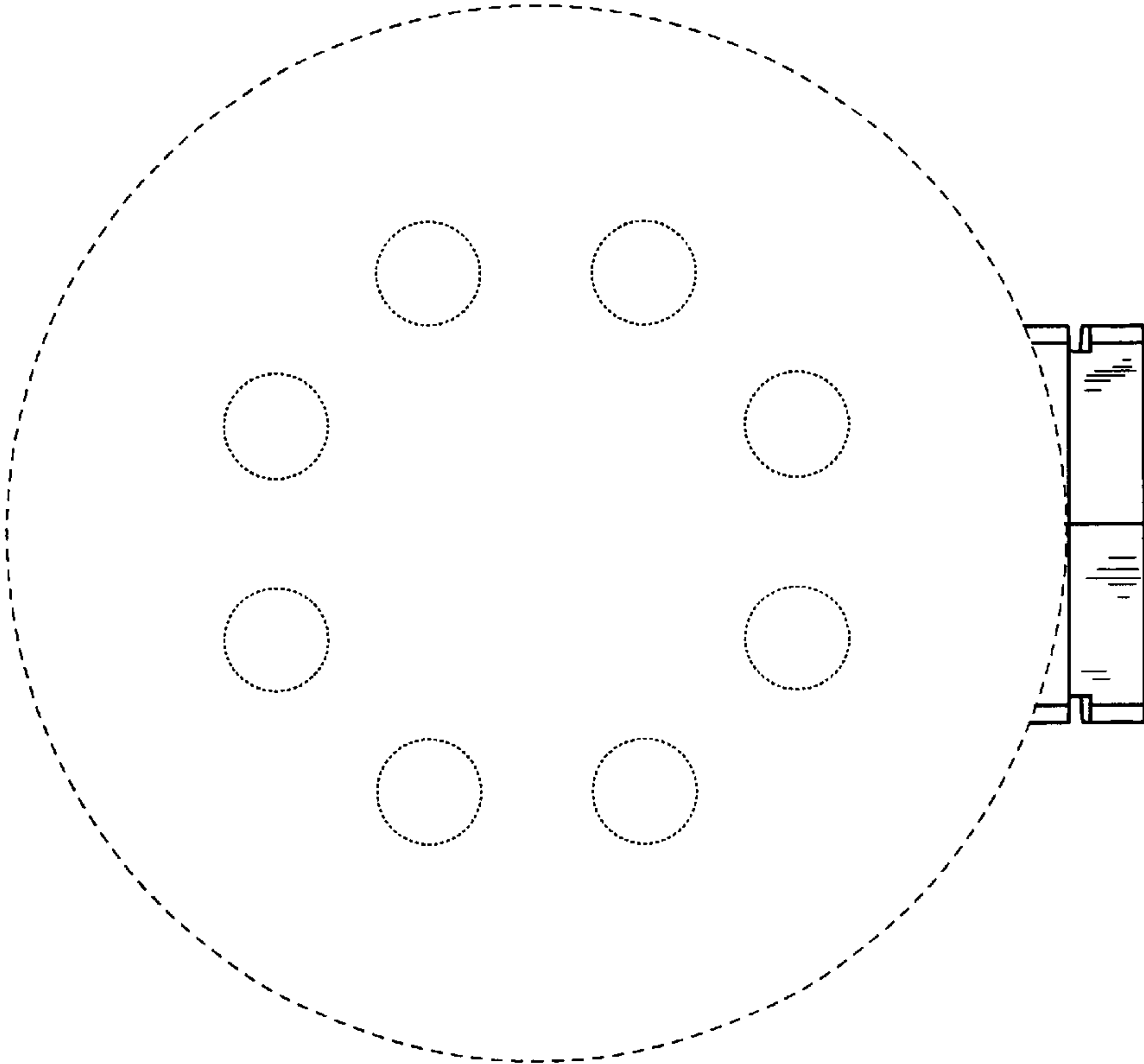


FIG.6

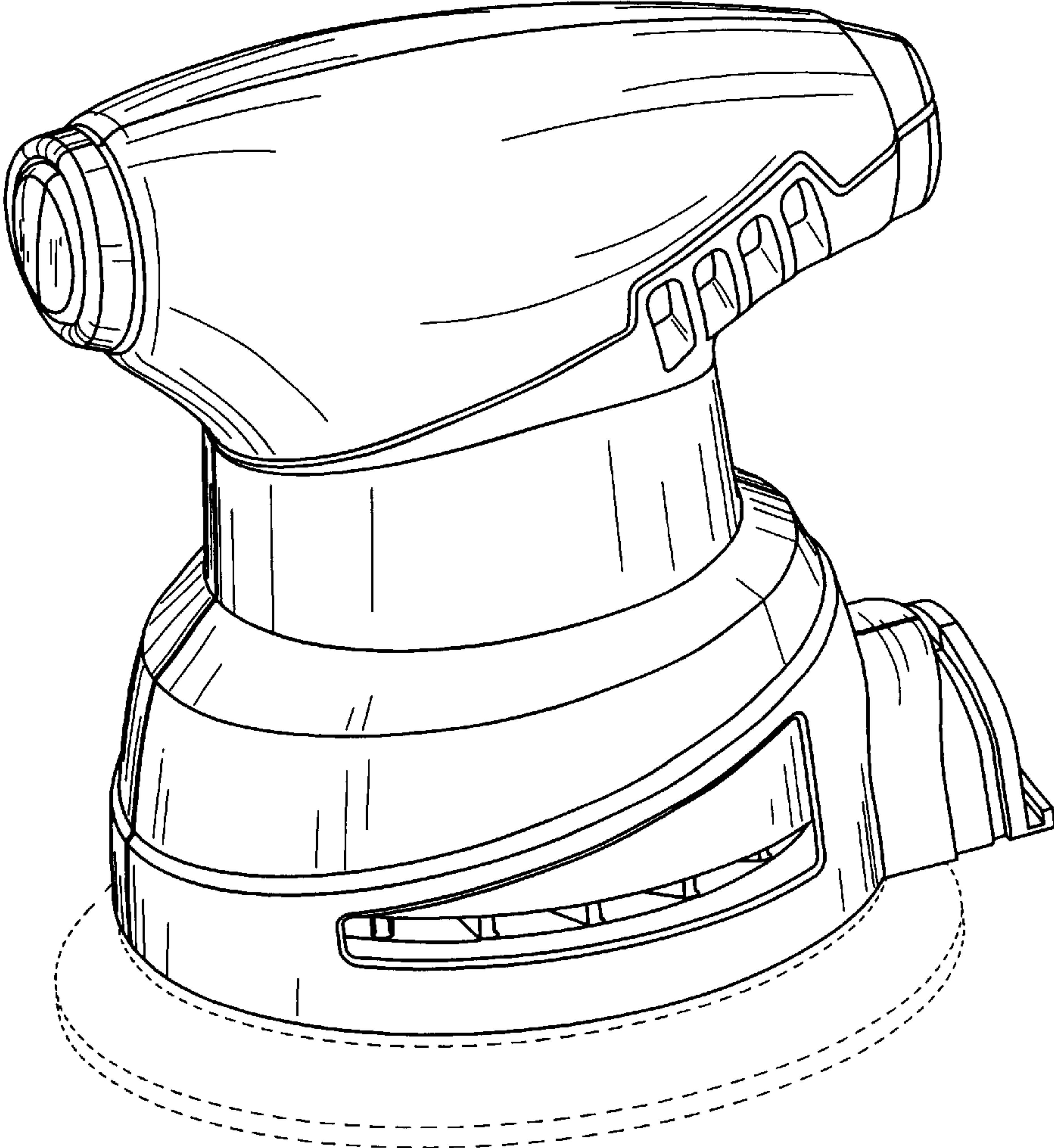


FIG.7