



US00D528385S

(12) **United States Design Patent**
Netzler

(10) **Patent No.:** **US D528,385 S**

(45) **Date of Patent:** **** Sep. 19, 2006**

(54) **HANDHELD CORDLESS SCREWDRIVER**

(75) Inventor: **Sion Netzler**, Newton Aycliffe (GB)

(73) Assignee: **Black & Decker Inc.**, Newark, DE (US)

(**) Term: **14 Years**

(21) Appl. No.: **29/229,537**

(22) Filed: **May 9, 2005**

(30) **Foreign Application Priority Data**

Nov. 19, 2004 (EM) 000255641-0002
Nov. 19, 2004 (EM) 000255641-0001

(51) **LOC (8) Cl.** **08-04**

(52) **U.S. Cl.** **D8/61**

(58) **Field of Classification Search** D8/61,
D8/62, 68, 83, 70, 107, 80; 81/57.11, 57.13,
81/57.14, 57.26, 57.29, 57.39, 57.42, 63.1,
81/429, 464, 467, 469, 470, 473; 173/168,
173/169, 170, 176, 177, 178, 181, 216, 217;
73/862.21; 310/50

See application file for complete search history.

(56) **References Cited**

U.S. PATENT DOCUMENTS

D173,326 S 10/1954 Quackenbush
3,935,909 A 2/1976 Mabuchi et al.
4,522,270 A 6/1985 Kishi
4,631,992 A 12/1986 Eckman
4,721,169 A 1/1988 Nagasawa et al.
D295,601 S 5/1988 Svetlik
D296,654 S 7/1988 Svetlik
D297,104 S 8/1988 Svetlik
4,772,765 A 9/1988 Markle et al.
D298,009 S 10/1988 Svetlik
4,779,687 A 10/1988 Schreiber et al.
D301,496 S 6/1989 Yonesawa et al.
D303,205 S 9/1989 Gierke et al.
D304,419 S 11/1989 Henck et al.
D304,543 S 11/1989 Somers et al.
D305,093 S 12/1989 Hoshino et al.
D305,975 S 2/1990 Emmerling

D308,622 S 6/1990 Fushiya et al.
D316,216 S 4/1991 Gierke et al.
D322,205 S 12/1991 Liu
D323,961 S * 2/1992 Fushiya et al. D8/61
D325,502 S 4/1992 Rahm et al.
D325,503 S 4/1992 Kikuchi et al.
D341,531 S 11/1993 Nagano et al.

(Continued)

OTHER PUBLICATIONS

DeWalt®, 2002 Catalog, No. DW920K-2, Heavy-Duty ¼" (8mm) 7.2V Cordless Two-Position Screwdriver, pp. 29 & 31 Cordless.

Primary Examiner—Cathron C. Brooks

Assistant Examiner—Austin Murphy

(74) *Attorney, Agent, or Firm*—Michael P. Leary; Charles E. Yocum; Adan Ayala

(57) **CLAIM**

The ornamental design for a handheld cordless screwdriver, as shown and described.

DESCRIPTION

FIG. 1 is a left/front perspective view of a handheld cordless screwdriver showing my new design with the front portion in a first possible orientation relative to the rear portion.

FIG. 2 is a left side view thereof.

FIG. 3 is a right side view thereof.

FIG. 4 is a top plan view thereof.

FIG. 5 is a bottom plan view thereof.

FIG. 6 is a front view thereof.

FIG. 7 is a rear view thereof.

FIG. 8 is a left/front perspective view of a handheld cordless screwdriver showing my new design with the front portion in a second possible orientation relative to the rear portion.

FIG. 9 is a left side view thereof.

FIG. 10 is a right side view thereof.

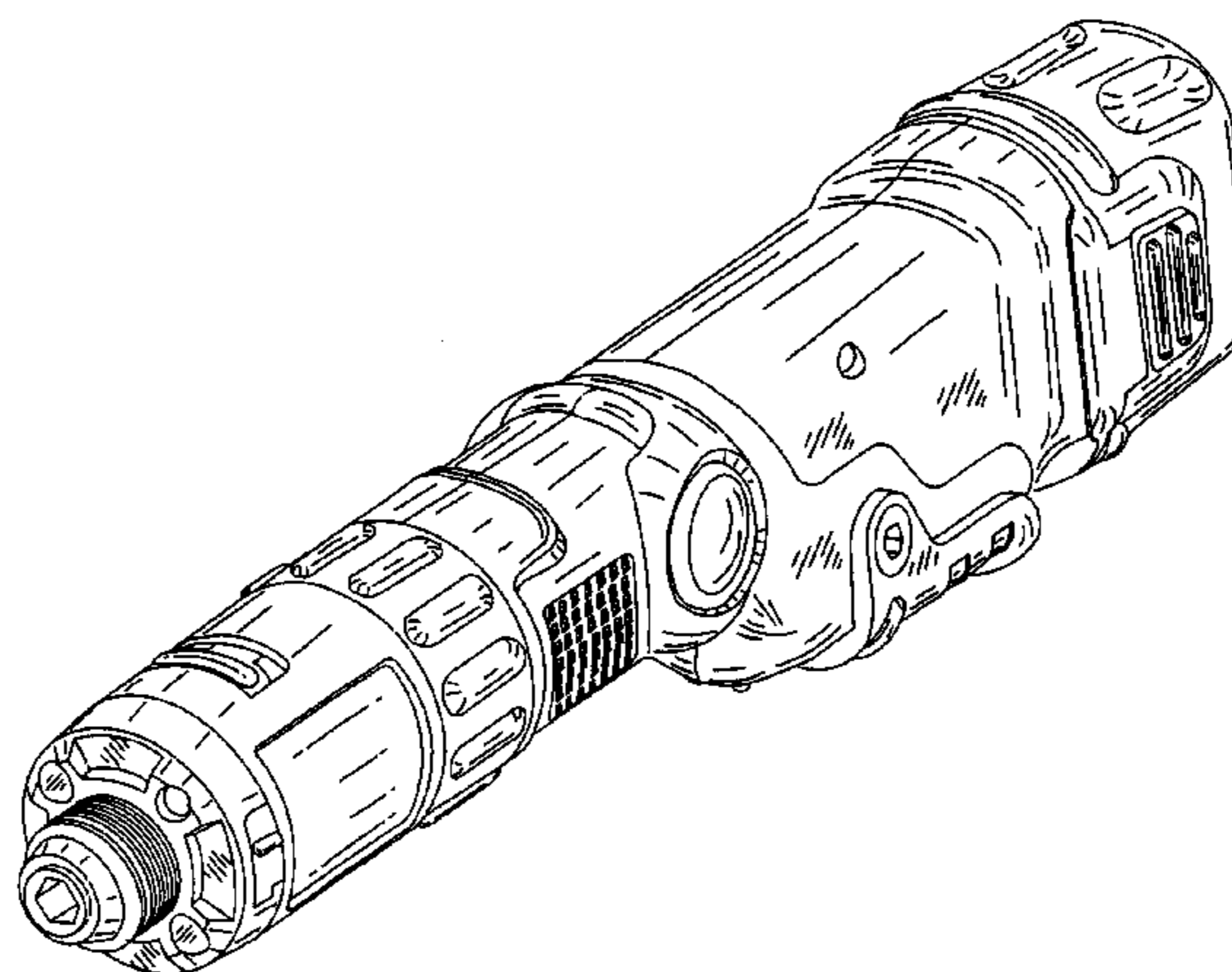
FIG. 11 is a top plan view thereof.

FIG. 12 is a bottom plan view thereof.

FIG. 13 is a front view thereof; and,

FIG. 14 is a rear view thereof.

1 Claim, 9 Drawing Sheets



US D528,385 S

Page 2

U.S. PATENT DOCUMENTS

D344,439 S	2/1994	Izumisawa		D462,593 S	9/2002	Nottingham et al.	
5,310,010 A *	5/1994	Lo	173/178	D467,146 S	12/2002	Chunn et al.	
D352,645 S *	11/1994	Ichikawa	D8/61	D470,374 S	2/2003	Murray	
D353,309 S	12/1994	Somers		D472,439 S	4/2003	Chunn et al.	
5,525,889 A	6/1996	Chan et al.		D472,779 S	4/2003	Chunn et al.	
D376,083 S	12/1996	Verdura et al.		D474,086 S	5/2003	Heun	
D380,658 S	7/1997	Bruno et al.		D476,542 S	7/2003	Chunn et al.	
D391,820 S	3/1998	Bunyea		D484,382 S	12/2003	Su	
D414,093 S *	9/1999	Zurwelle	D8/61	D485,737 S	1/2004	Schaub et al.	
D418,729 S	1/2000	Snider		D486,713 S	2/2004	Lai	
D423,897 S	5/2000	Cooper		D487,383 S	3/2004	Ng	
D427,038 S	6/2000	Lin		D491,031 S	6/2004	Davis et al.	
D439,978 S	4/2001	Ark et al.		6,817,424 B1 *	11/2004	Su et al.	173/217
D441,267 S	5/2001	Heun		D502,071 S	2/2005	Snider	
D442,455 S	5/2001	Shiao		D506,375 S	6/2005	Hsu et al.	
D443,491 S	6/2001	Robson		D508,387 S	8/2005	Hsu et al.	
6,257,351 B1 *	7/2001	Ark et al.	173/178	6,929,074 B1 *	8/2005	Lai	173/178
D447,924 S	9/2001	Neitzell et al.		6,968,908 B1 *	11/2005	Tokunaga et al.	173/181
6,364,033 B1	4/2002	Hung et al.		2003/0015066 A1 *	1/2003	Chao	81/57.26

* cited by examiner

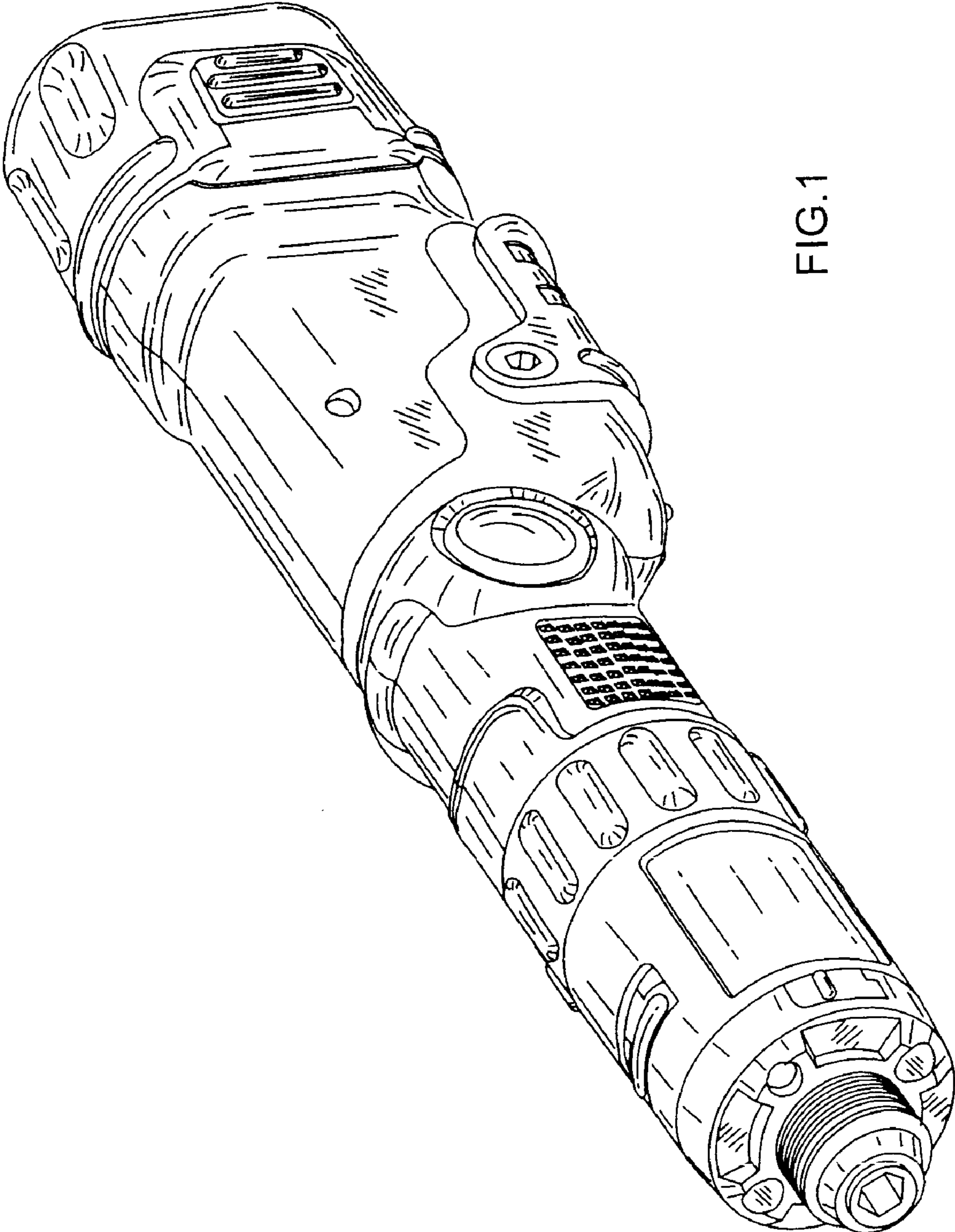


FIG.1

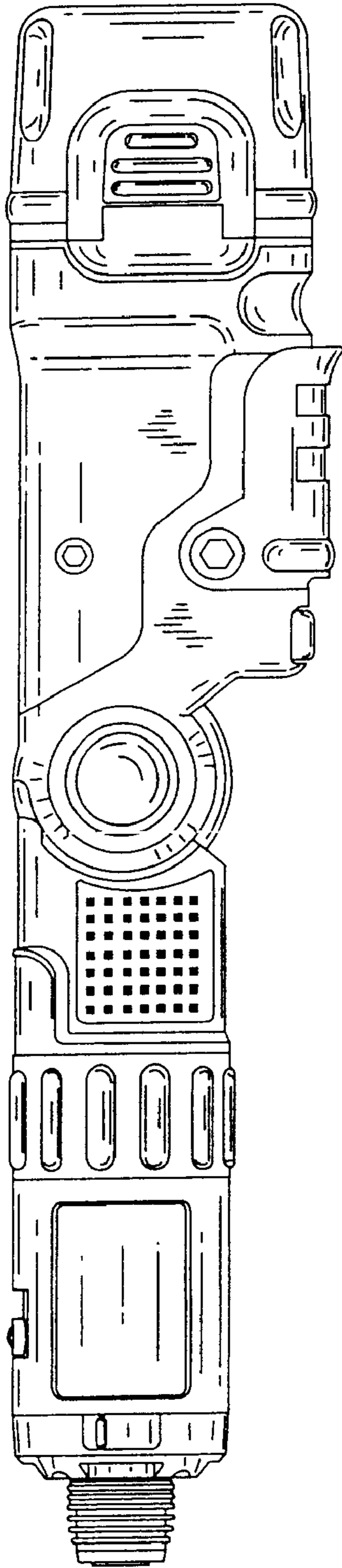


FIG. 2

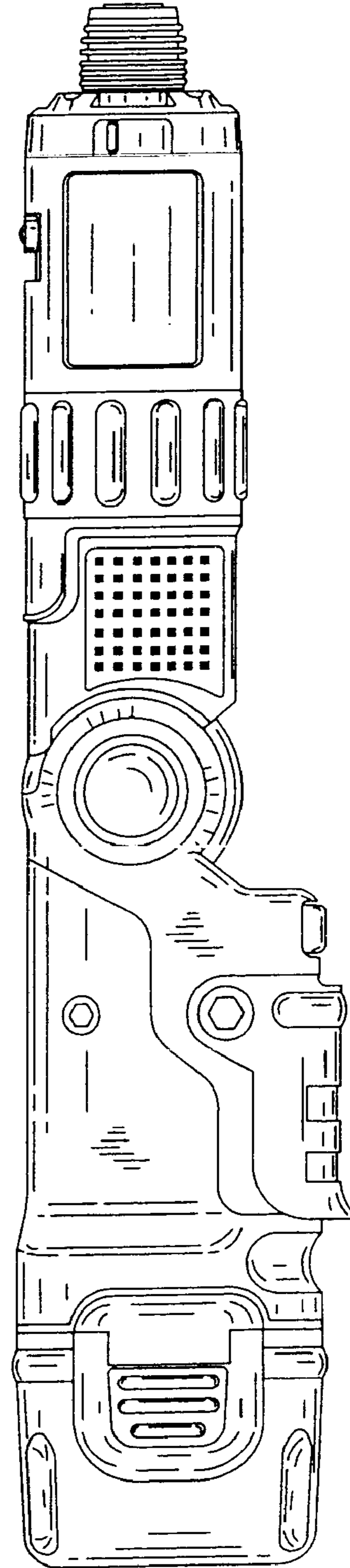


FIG. 3

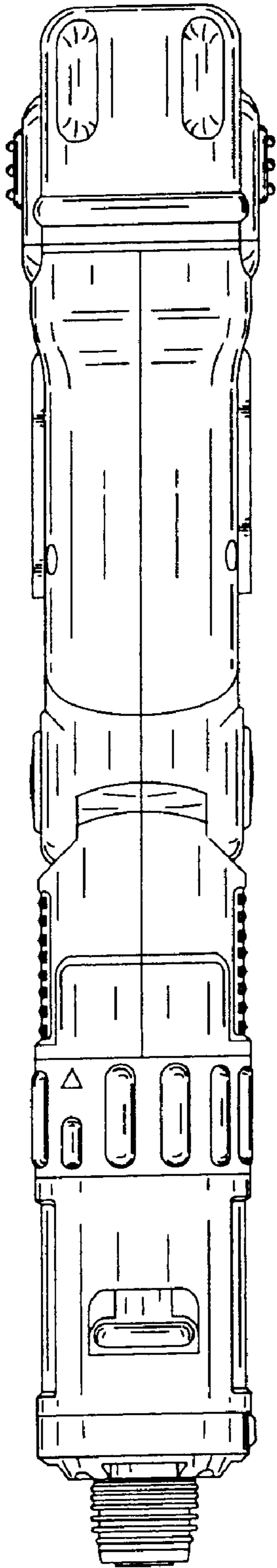


FIG. 4

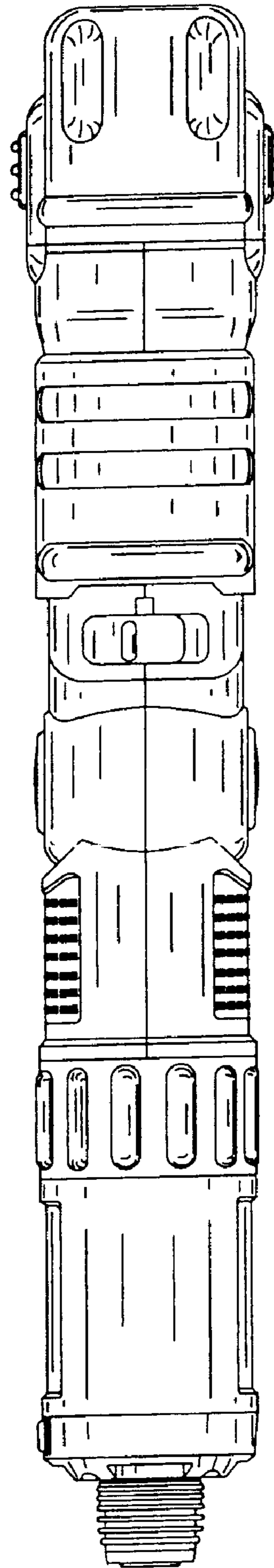


FIG. 5

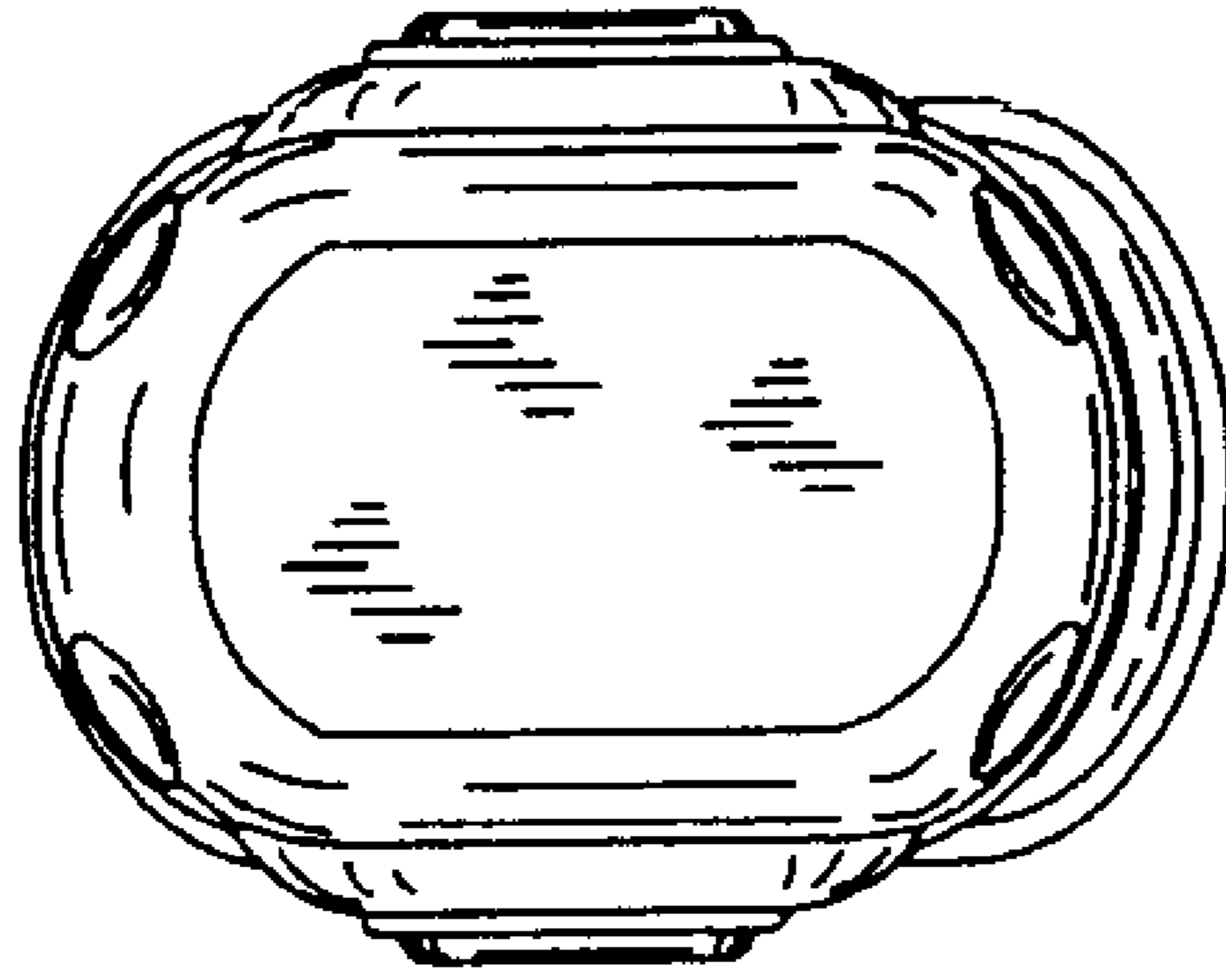


FIG. 7

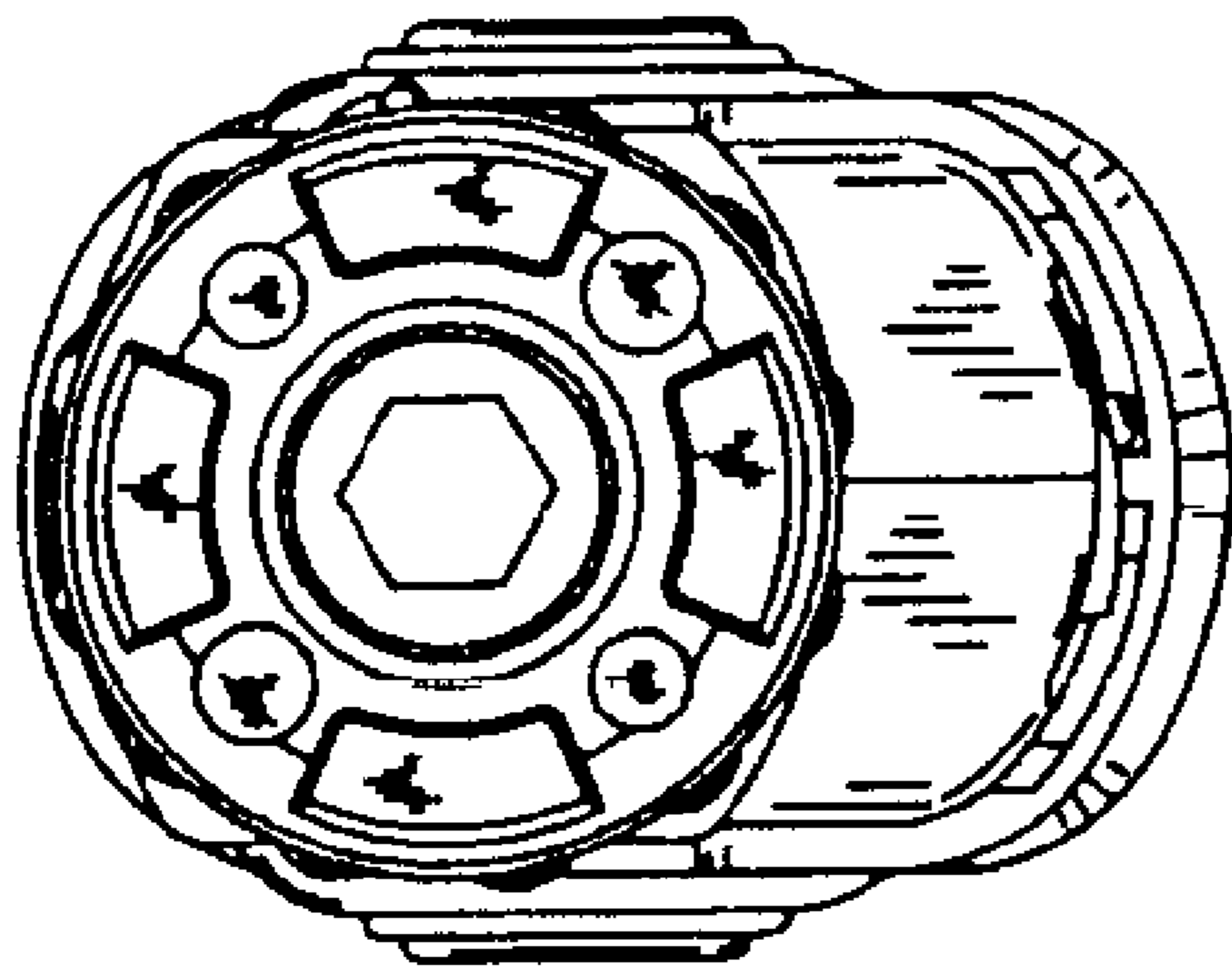


FIG. 6

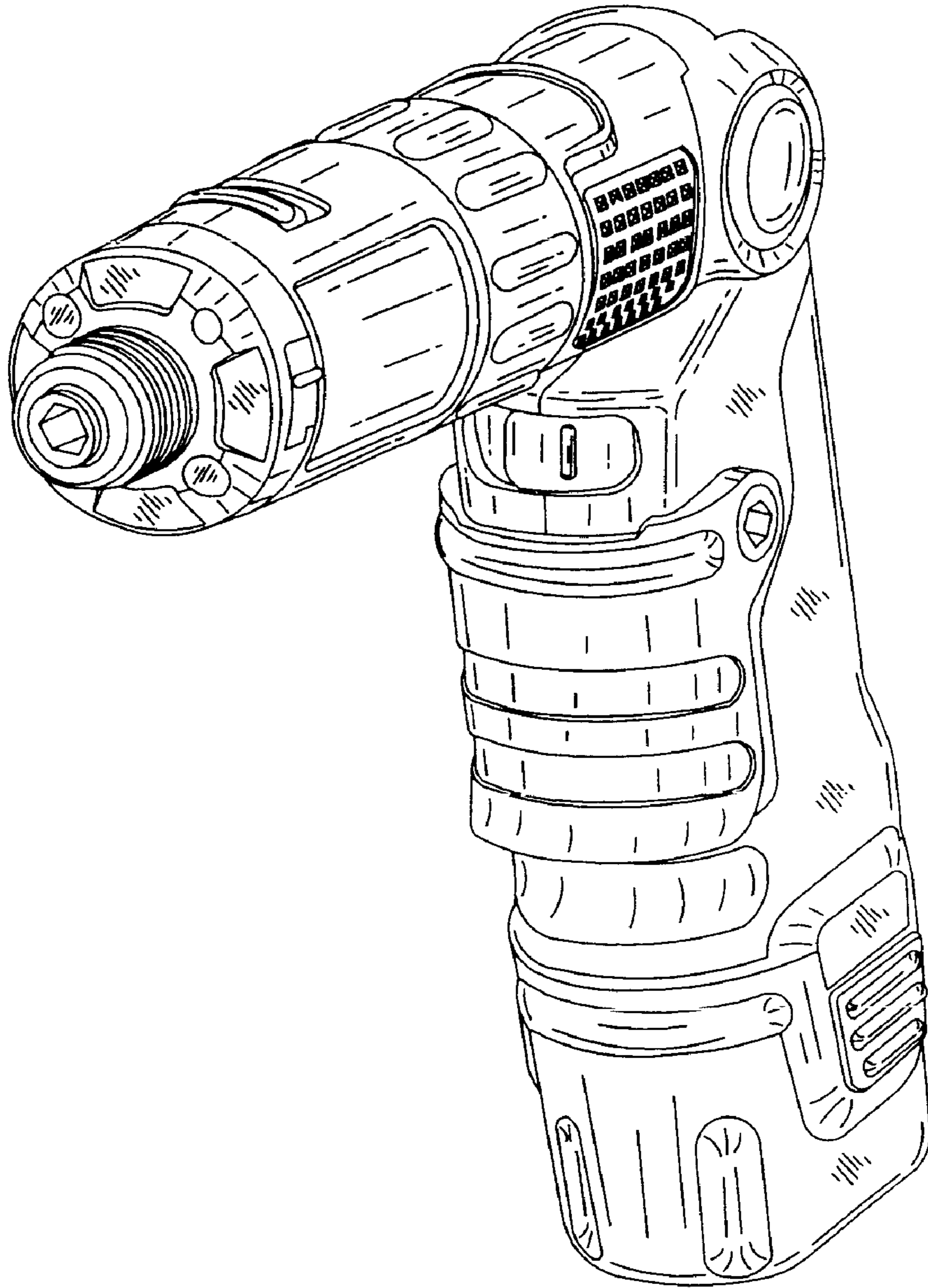


FIG.8

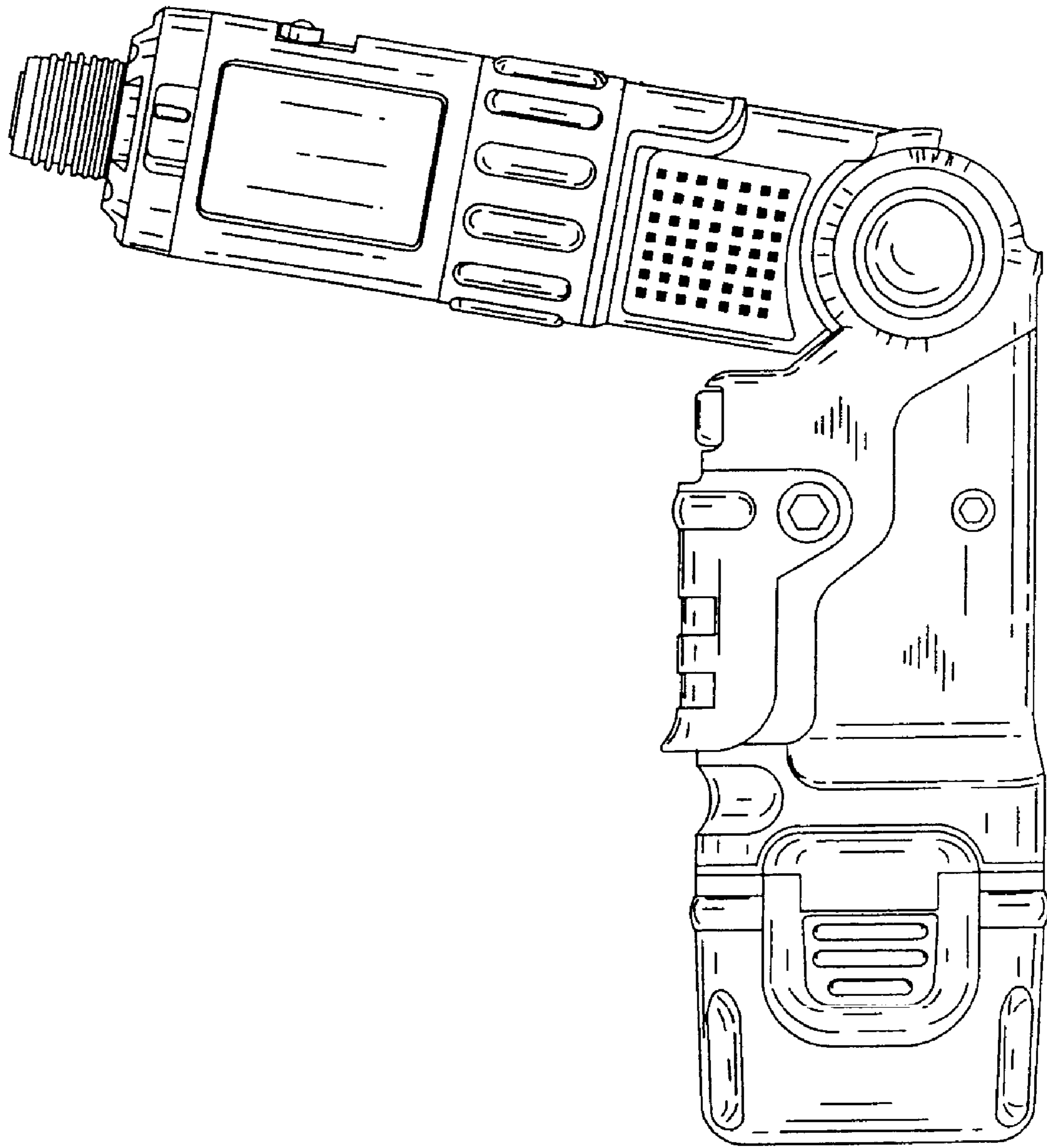


FIG.9

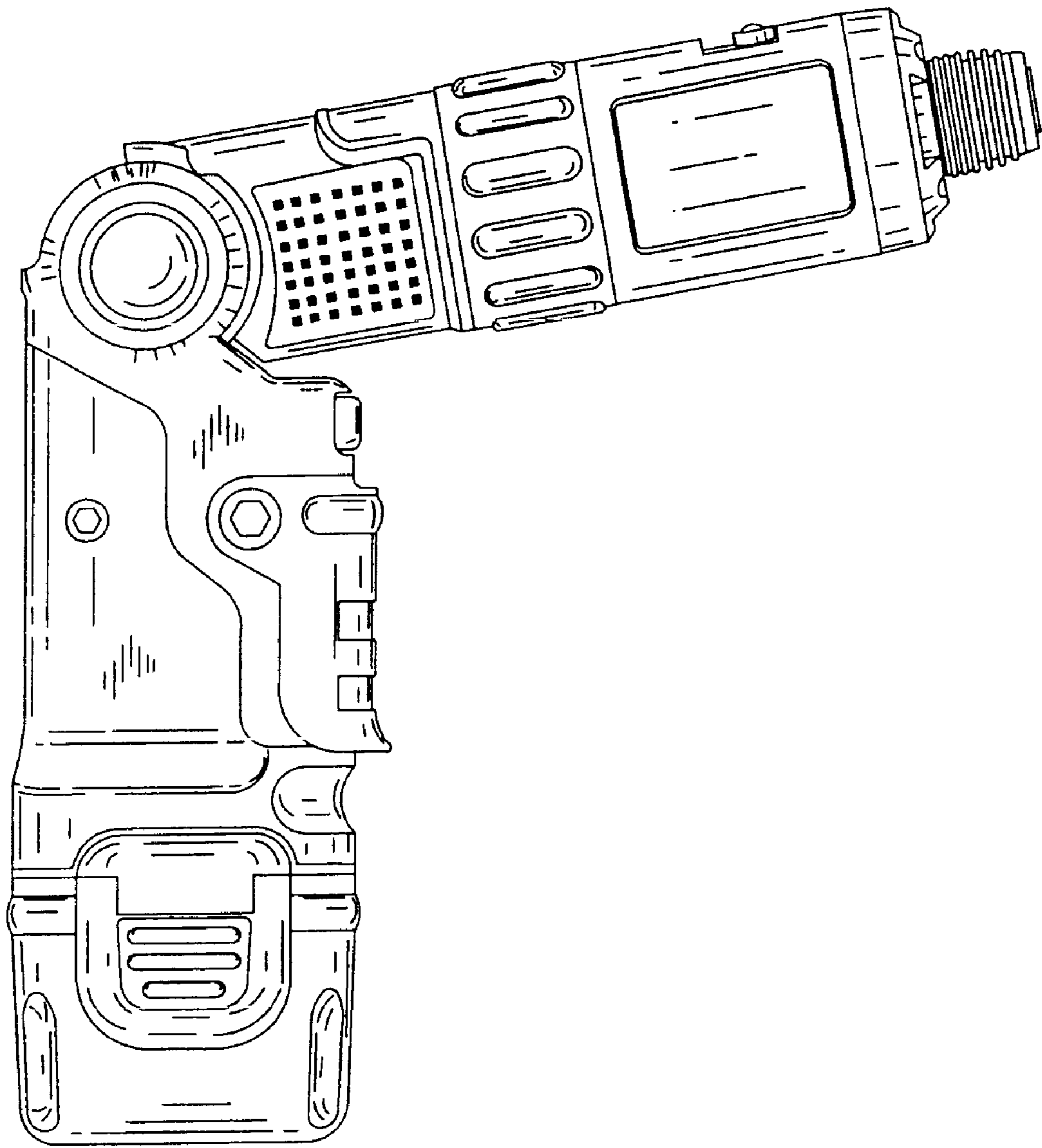


FIG. 10

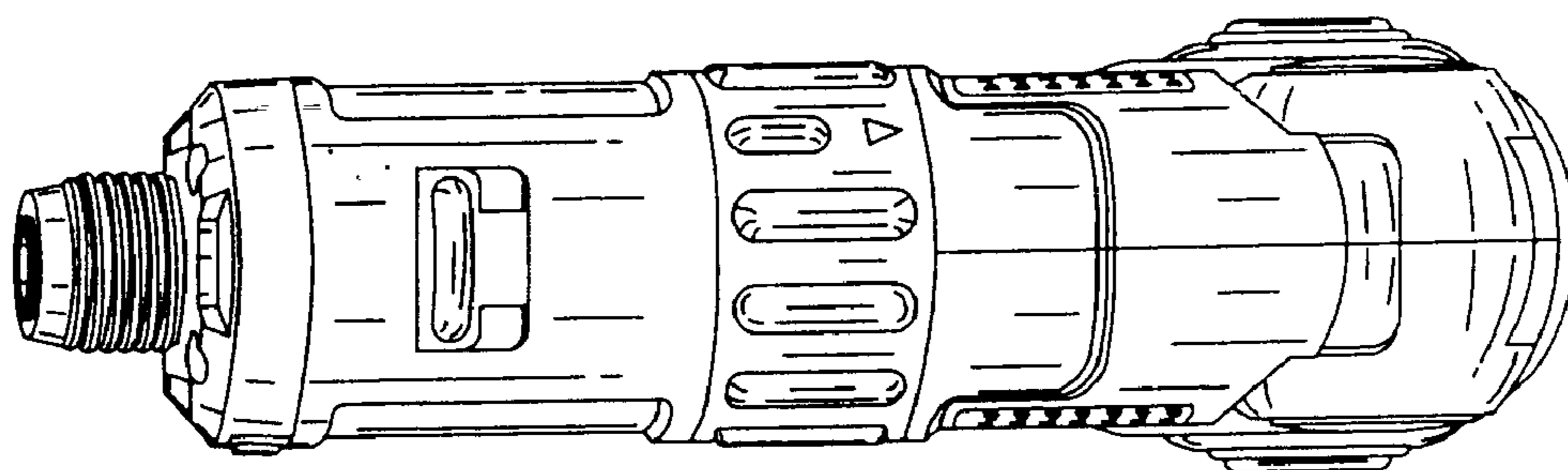


FIG. 11

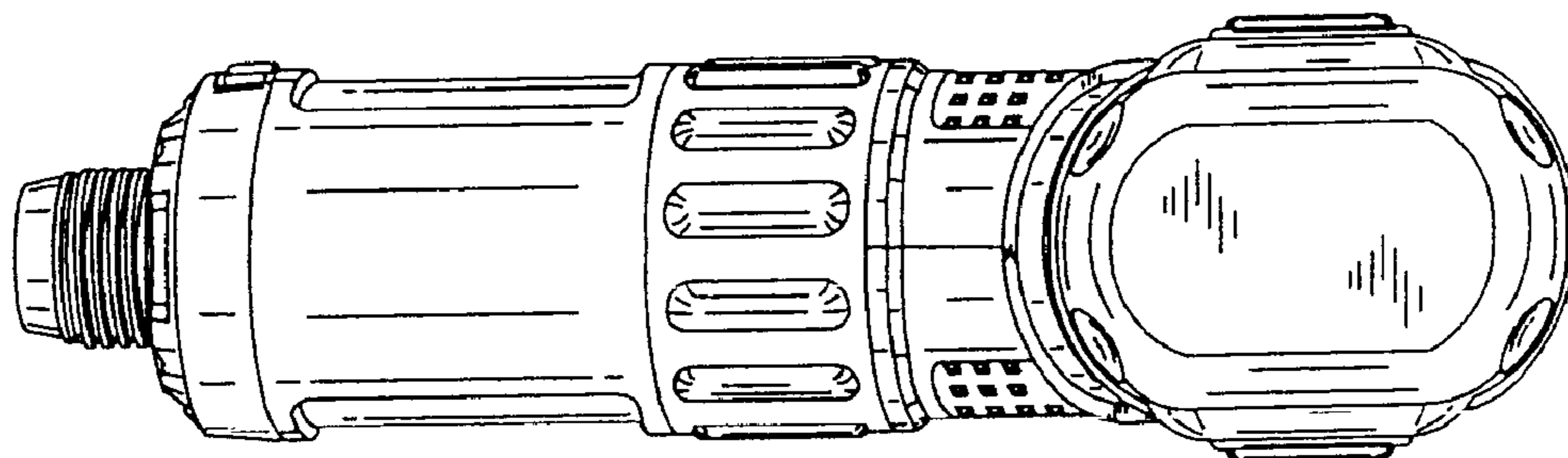


FIG. 12

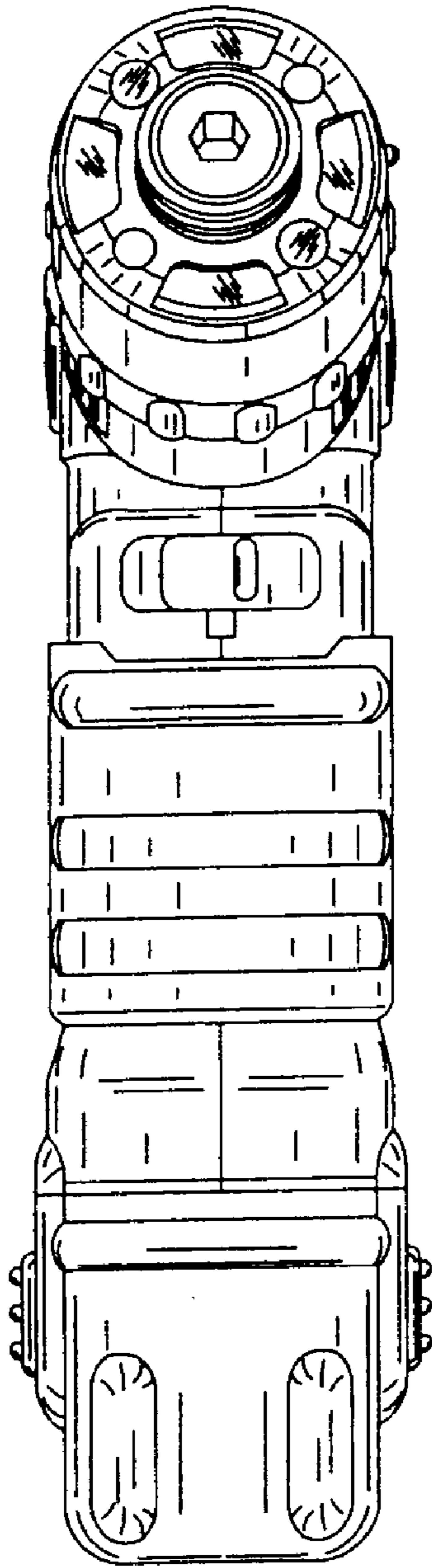


FIG. 13

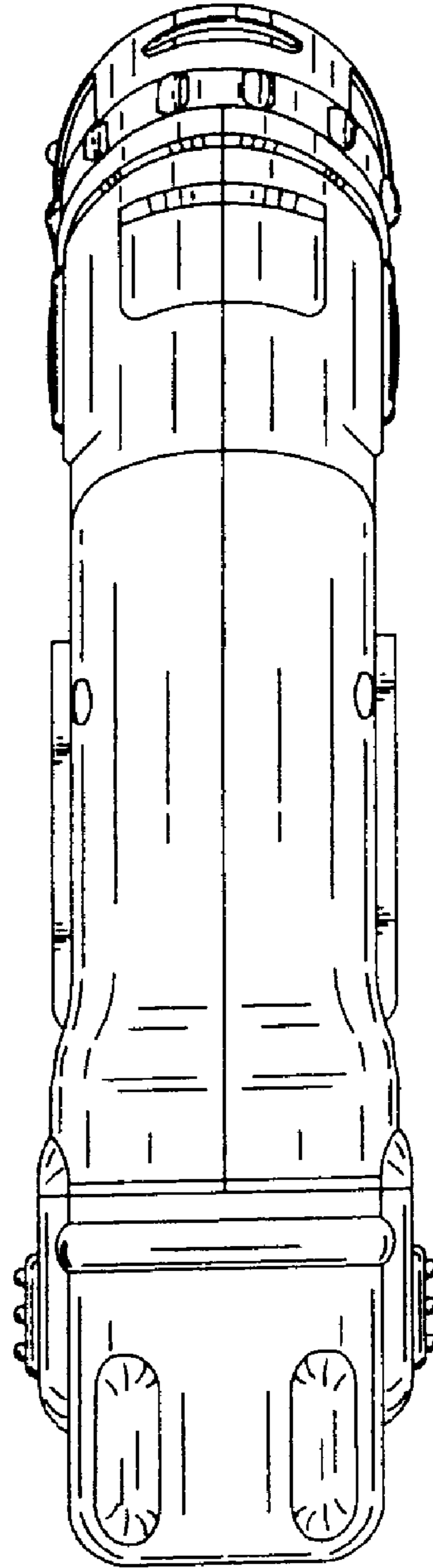


FIG. 14