

US00D528382S

(12) **United States Design Patent**
Baskar et al.

(10) **Patent No.:** **US D528,382 S**

(45) **Date of Patent:** **** Sep. 19, 2006**

(54) **POLE HEDGE TRIMMER**

D500,431 S * 1/2005 Gice D8/8

(75) Inventors: **Ashok Samuel Baskar**, Lutherville,
MD (US); **Jason Busschaert**, Towson,
MD (US)

* cited by examiner

Primary Examiner—Holly Baynham
(74) *Attorney, Agent, or Firm*—John Yun; Bruce S.
Shapiro; Wesley Muller

(73) Assignee: **Black & Decker Inc.**, Newark, DE
(US)

(57) **CLAIM**

(**) Term: **14 Years**

The ornamental design for a pole hedge trimmer, as shown
and described.

(21) Appl. No.: **29/233,332**

DESCRIPTION

(22) Filed: **Jun. 30, 2005**

(51) **LOC (8) Cl.** **08-01**

(52) **U.S. Cl.** **D8/8**

(58) **Field of Classification Search** D8/8;
56/12.7; 30/276

See application file for complete search history.

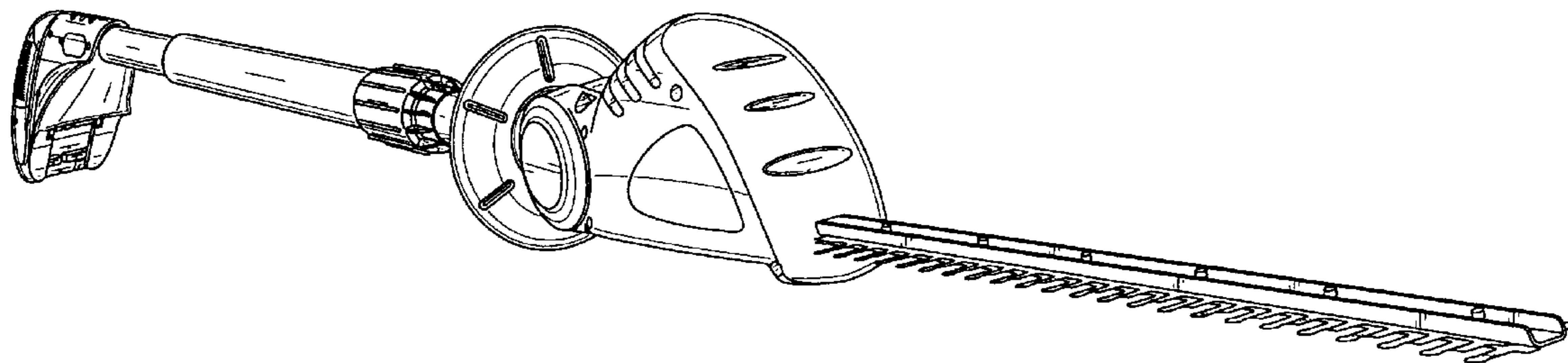
FIG. 1 shows perspective view of the pole hedge trimmer of
the present invention;
FIG. 2 shows a front view of the pole hedge trimmer of the
present invention;
FIG. 3 shows a rear view of the pole hedge trimmer of the
present invention;
FIGS. 4 and 5 show opposite side views of the pole hedge
trimmer of the present invention;
FIG. 6 shows a top view of the pole hedge trimmer of the
present invention; and,
FIG. 7 shows a bottom view of the pole hedge trimmer of the
present invention.

(56) **References Cited**

U.S. PATENT DOCUMENTS

- D292,980 S * 12/1987 Tomita et al. D8/8
- D347,772 S * 6/1994 Kiyooka et al. D8/8
- D356,013 S * 3/1995 Kiyooka et al. D8/8
- D389,707 S * 1/1998 Ohi et al. D8/8
- D482,942 S * 12/2003 Ohi et al. D8/8

1 Claim, 6 Drawing Sheets



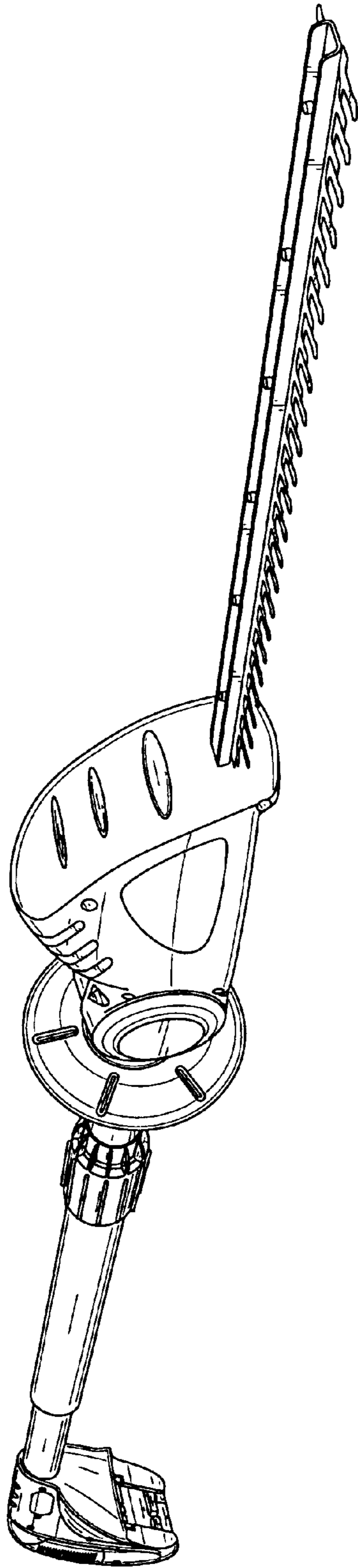


FIG. 1

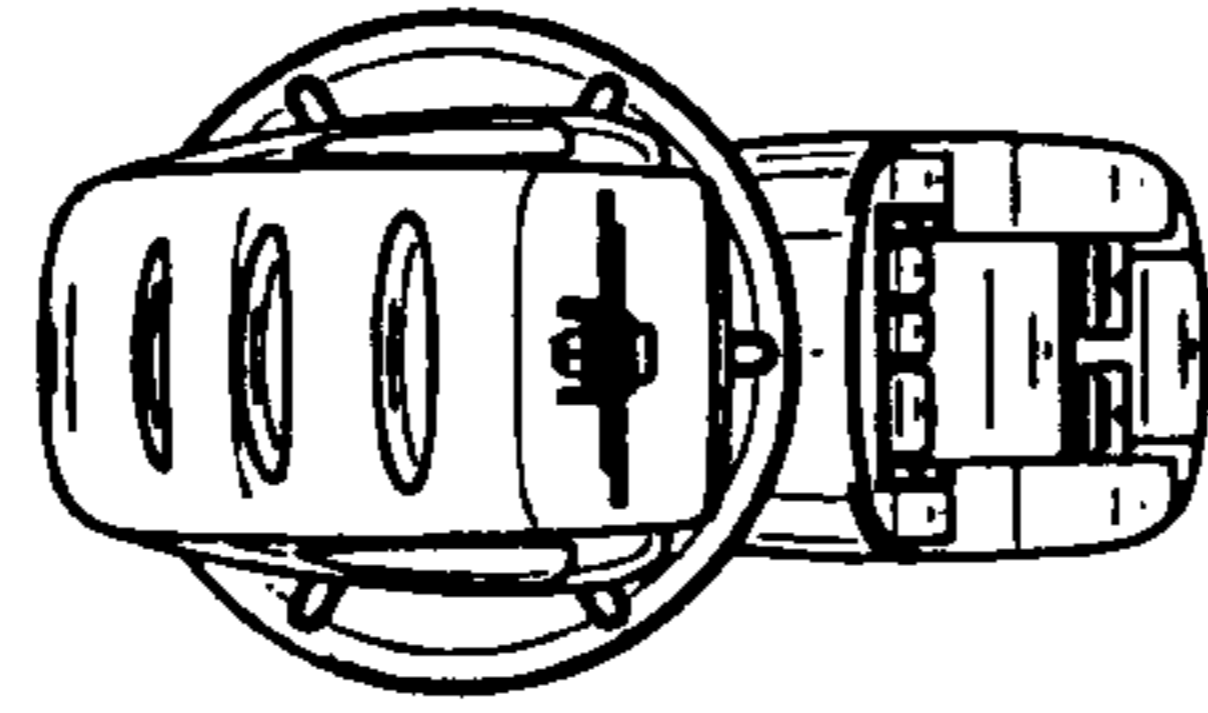


FIG. 2

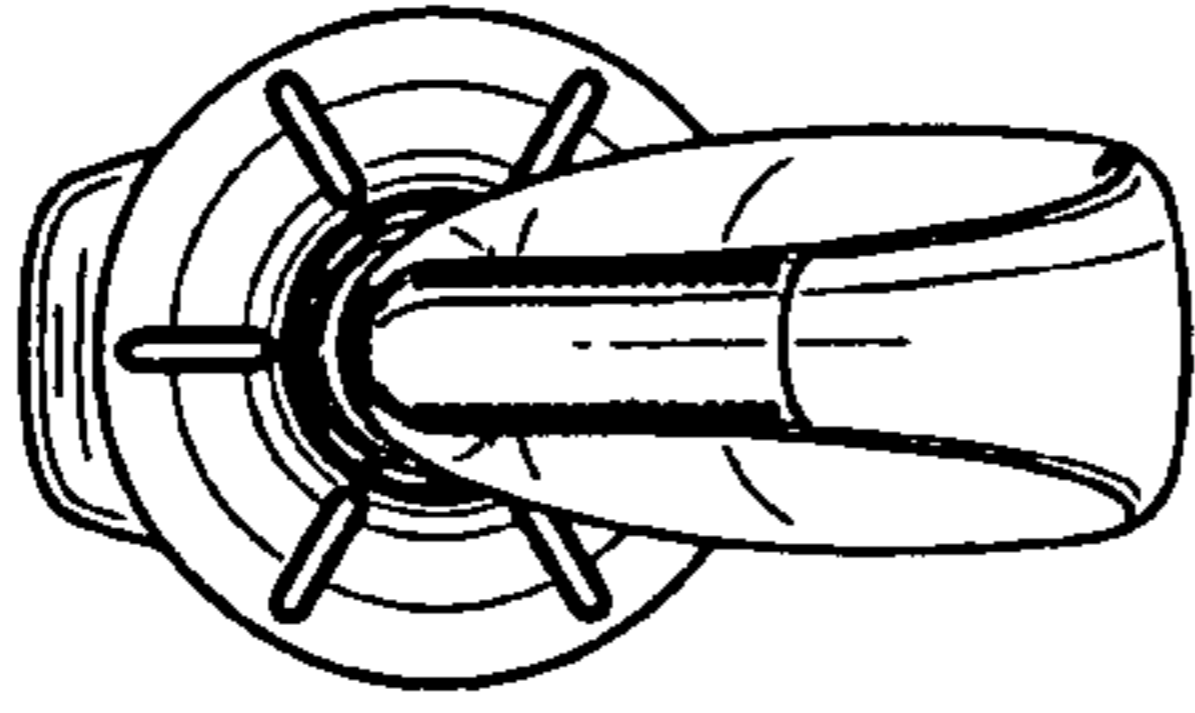


FIG. 3

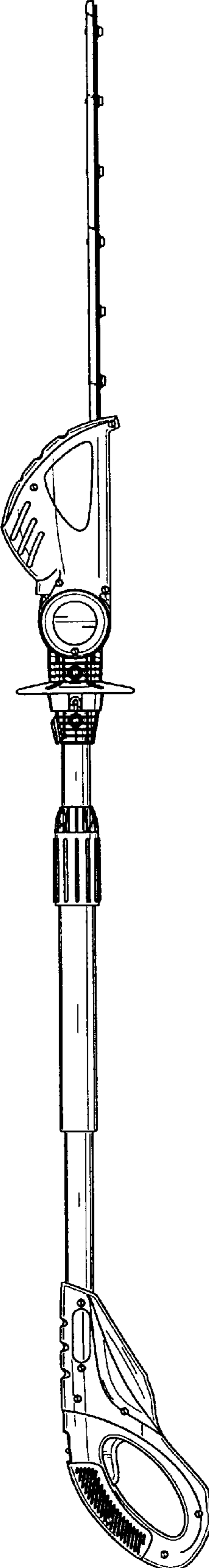


FIG. 4

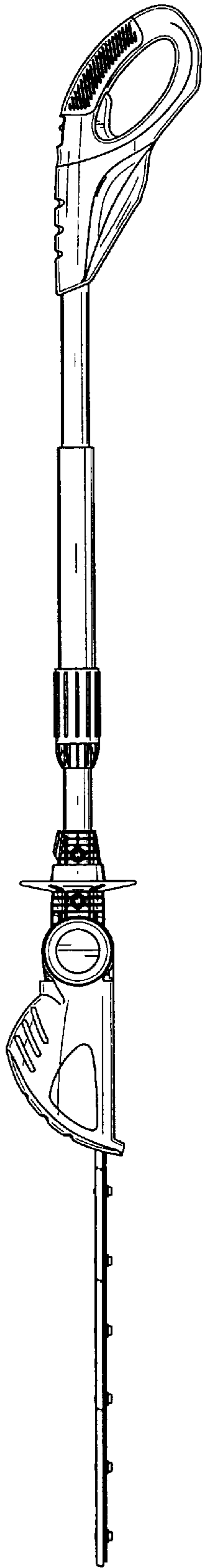


FIG. 5

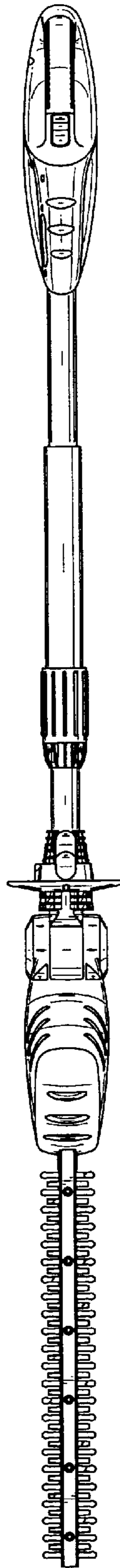


FIG. 6

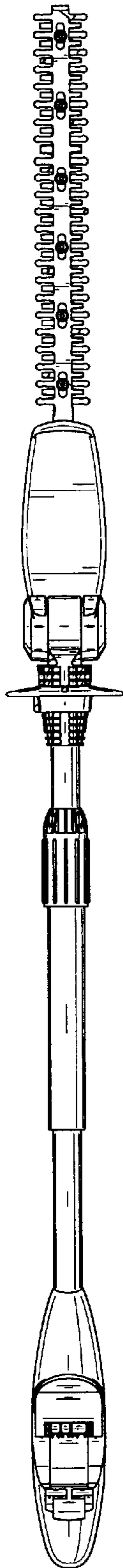


FIG. 7