



US00D528381S

(12) **United States Design Patent**
Clark

(10) **Patent No.:** **US D528,381 S**

(45) **Date of Patent:** **** Sep. 19, 2006**

(54) **WINE RACK MODULE**

(76) **Inventor:** **Stephen Alexander Clark**, 8 Ahern Street, Berri, 5343, South Australia (AU)

(**) **Term:** **14 Years**

(21) **Appl. No.:** **29/242,883**

(22) **Filed:** **Nov. 15, 2005**

(51) **LOC (8) Cl.** **06-04**

(52) **U.S. Cl.** **D7/704**

(58) **Field of Classification Search** D7/701-708, D7/600.1-600.4; 211/74, 71.01, 181.1; D6/462-467, D6/475, 566, 569-571

See application file for complete search history.

(56) **References Cited**

U.S. PATENT DOCUMENTS

D278,110 S * 3/1985 Boland, II D7/708

D278,773 S * 5/1985 Licari et al. D6/462

D323,600 S * 2/1992 Patke D7/704

D502,349 S * 3/2005 Tipping D6/566

* cited by examiner

Primary Examiner—Terry A. Wallace

(74) *Attorney, Agent, or Firm*—Klauber & Jackson LLC

(57) **CLAIM**

The ornamental design for a wine rack module, as shown and described.

DESCRIPTION

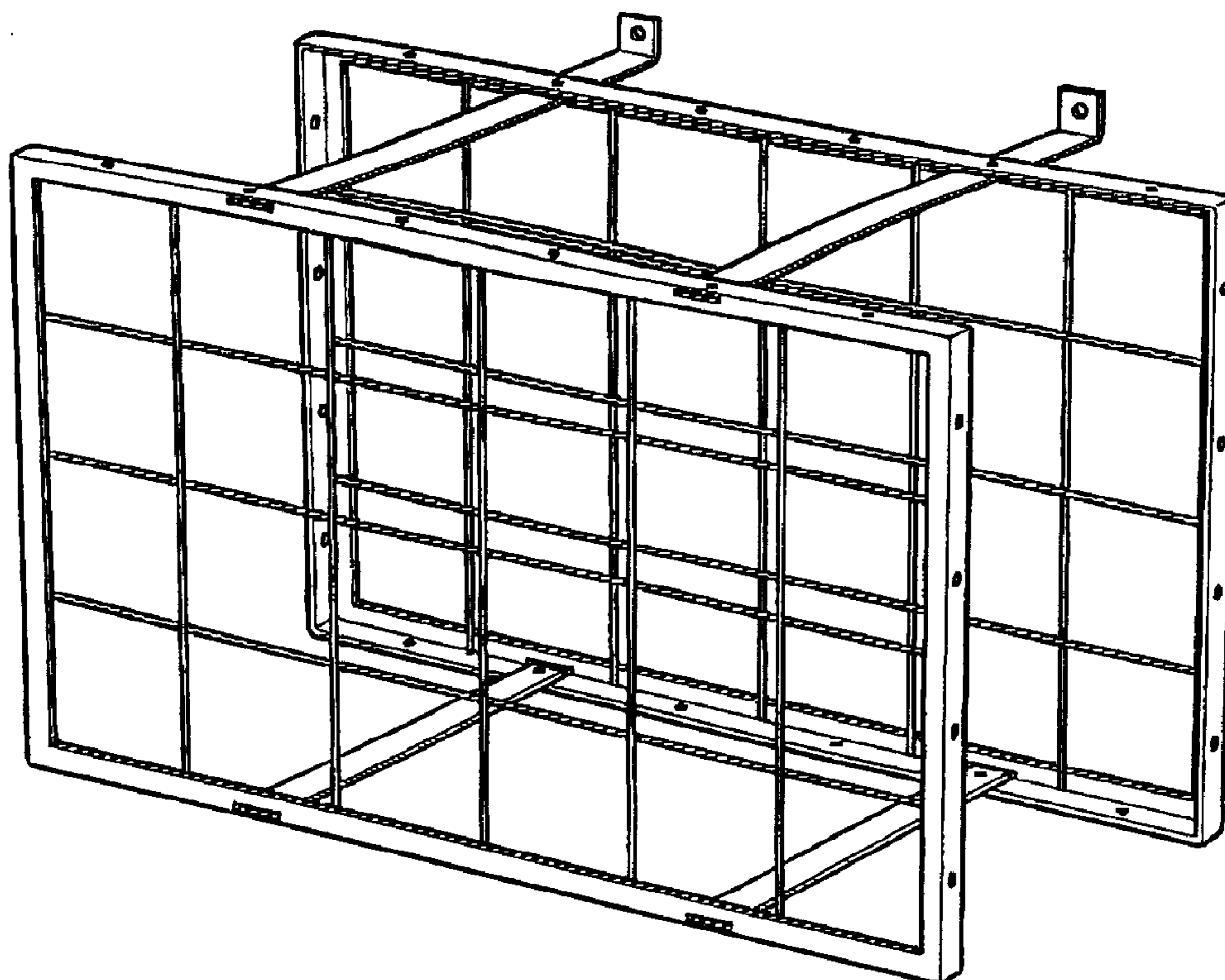
FIG. 1 is a left hand up-front elevational view of the wine rack module of my new design;

FIG. 2 is a top view thereof, the bottom view being substantially identical thereto;

FIG. 3 is a front view thereof; and,

FIG. 4 is a right side view thereof, the left side being the mirror image thereof.

1 Claim, 1 Drawing Sheet



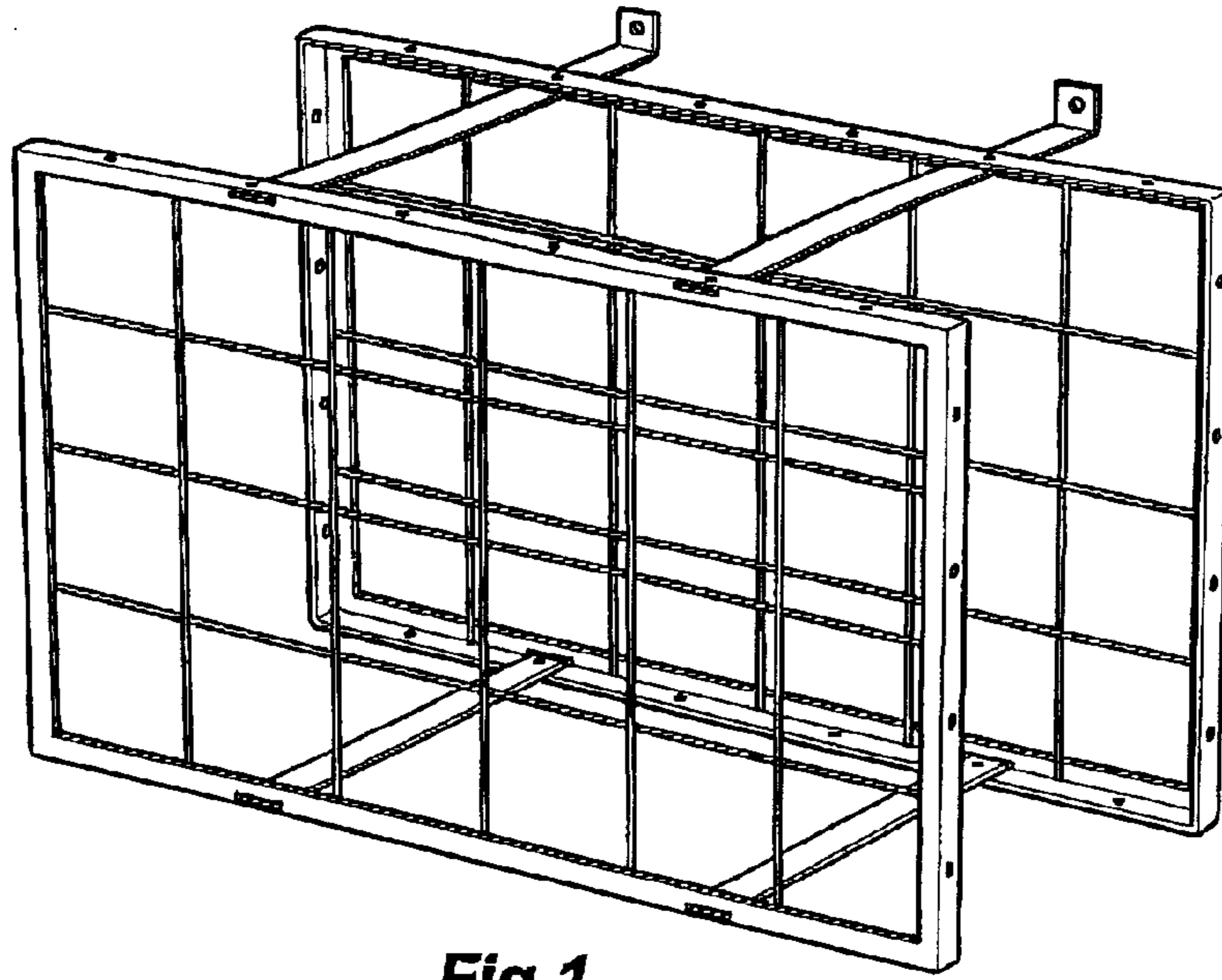


Fig 1

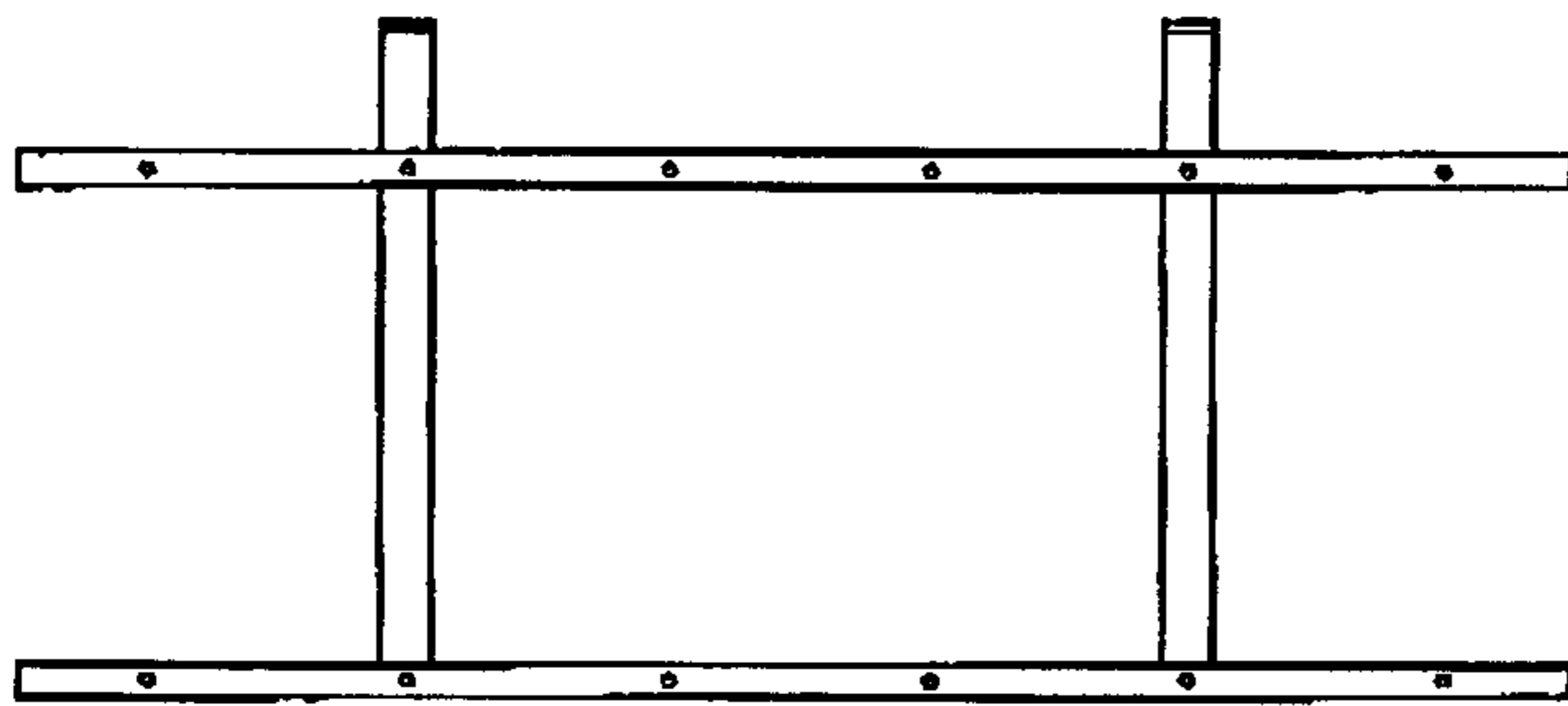


Fig 2

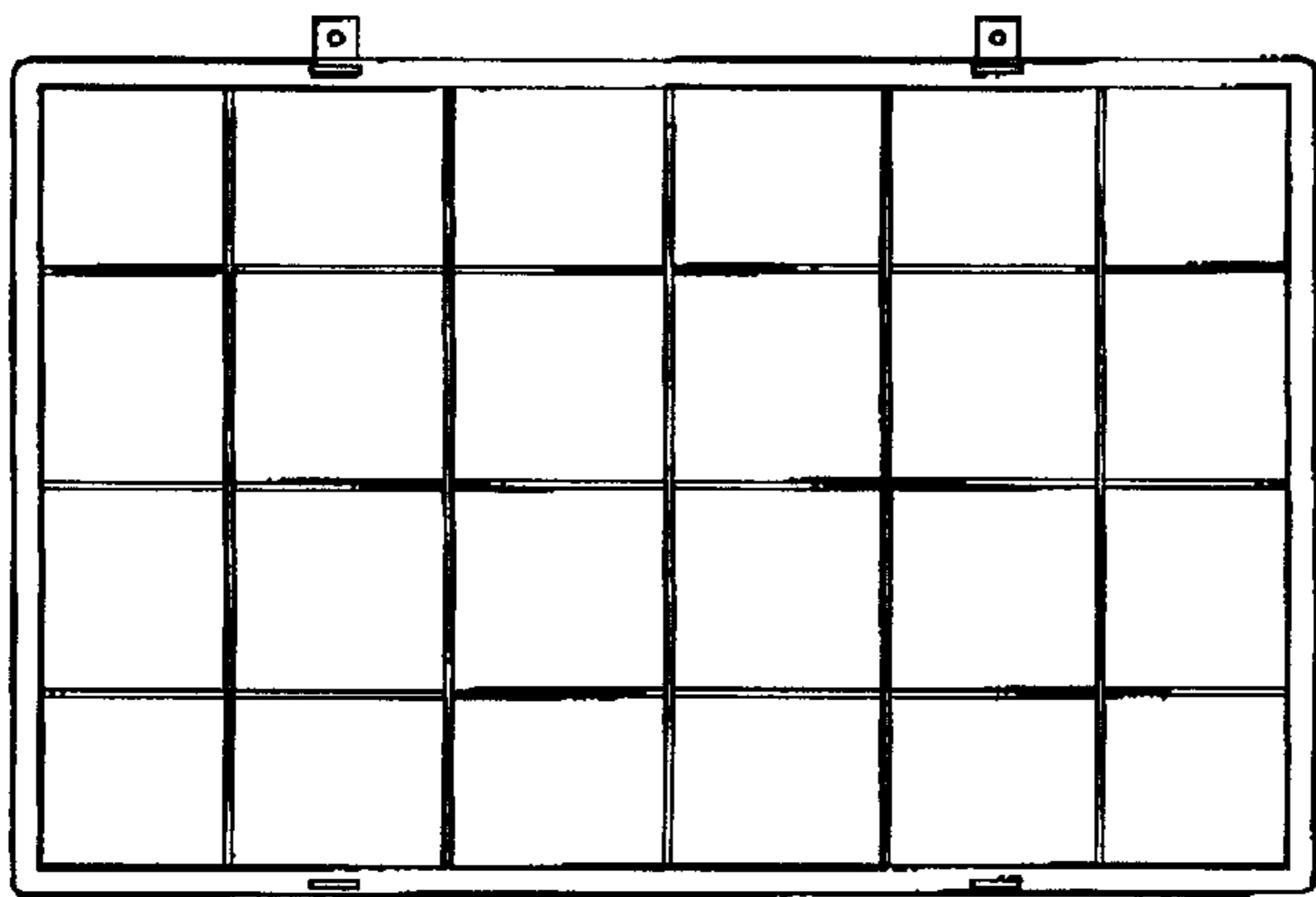


Fig 3

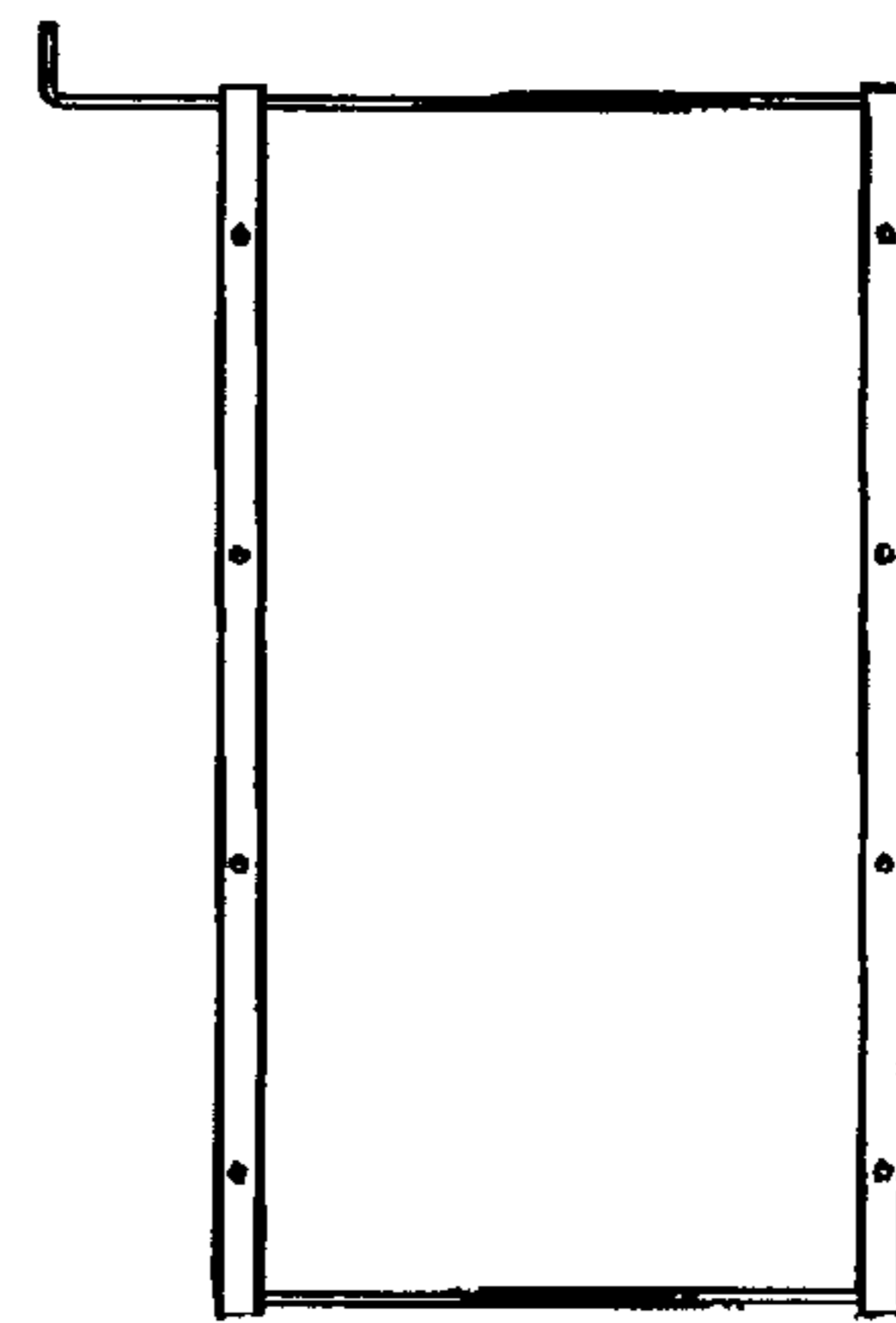


Fig 4