



US00D528378S

(12) **United States Design Patent**  
**LeBoeuf, Jr.**

(10) **Patent No.:** **US D528,378 S**

(45) **Date of Patent:** **\*\* Sep. 19, 2006**

(54) **SHELLFISH CLAW CUTTER**

D415,939 S \* 11/1999 Staton ..... D8/52  
D420,555 S \* 2/2000 Chang ..... D8/5

(76) Inventor: **Godfrey J. LeBoeuf, Jr.**, 1902 Bayou  
Blue Rd., Houma, LA (US) 70364

\* cited by examiner

(\*\*) Term: **14 Years**

*Primary Examiner*—Terry A. Wallace

(74) *Attorney, Agent, or Firm*—David A. Lingbeck

(21) Appl. No.: **29/234,704**

(57) **CLAIM**

(22) Filed: **Jul. 22, 2005**

The ornamental design for a shellfish claw cutter, as shown and described.

(51) **LOC (8) Cl.** ..... **07-04**

(52) **U.S. Cl.** ..... **D7/693**; D8/5

(58) **Field of Classification Search** ..... D7/693,  
D7/669, 368; D8/4, 5, 52, 54, 57; 30/249–252,  
30/261, 262, 194; 81/300, 318, 321, 324;  
452/6, 16, 17, 102; 241/168, 30, DIG. 27  
See application file for complete search history.

**DESCRIPTION**

FIG. 1 is a top view of a shellfish claw cutter showing my new design.

FIG. 2 is a rear perspective view of the shellfish claw cutter.

FIG. 3 is a front view of the shellfish claw cutter.

FIG. 4 is a rear view of the shellfish claw cutter.

FIG. 5 is a left side view of the shellfish claw cutter; and,

FIG. 6 is a right side view of the shellfish claw cutter.

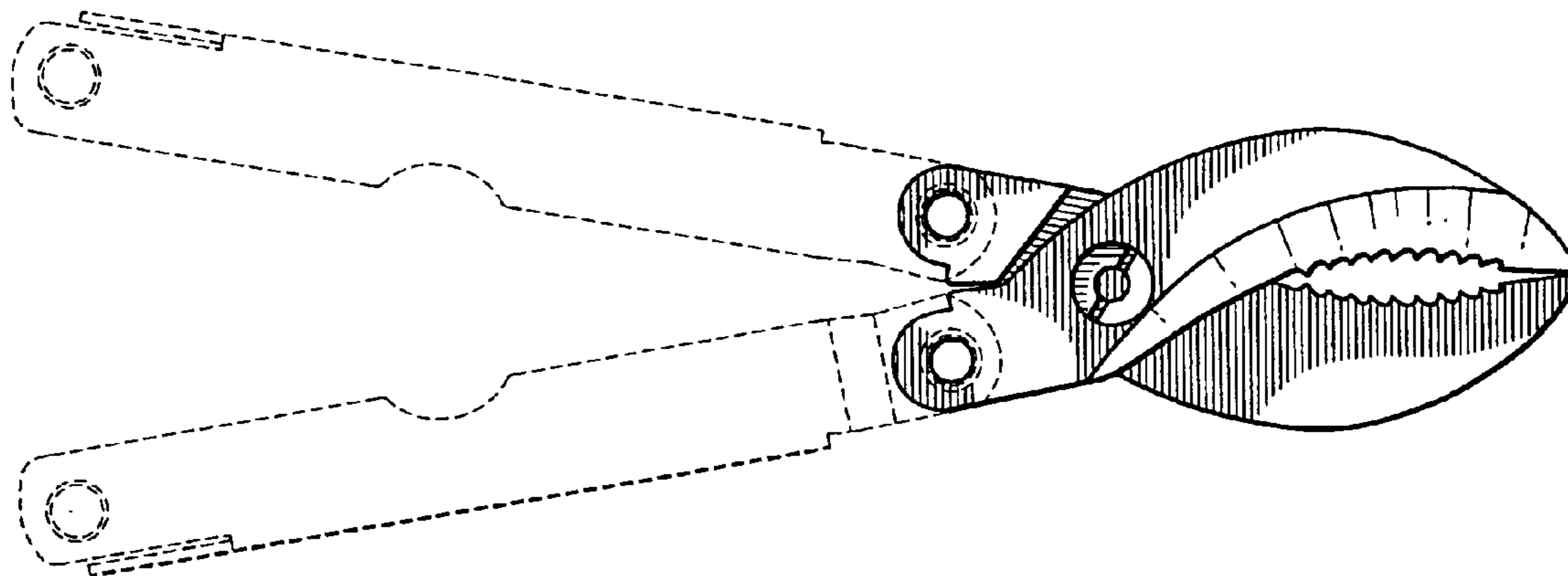
The broken lines shown in the drawing do not form part of the design.

(56) **References Cited**

**U.S. PATENT DOCUMENTS**

4,729,150 A \* 3/1988 Breaux et al. .... 452/105  
5,123,601 A \* 6/1992 Lavin et al. .... 241/168  
D413,496 S \* 9/1999 Wu ..... D8/5

**1 Claim, 3 Drawing Sheets**



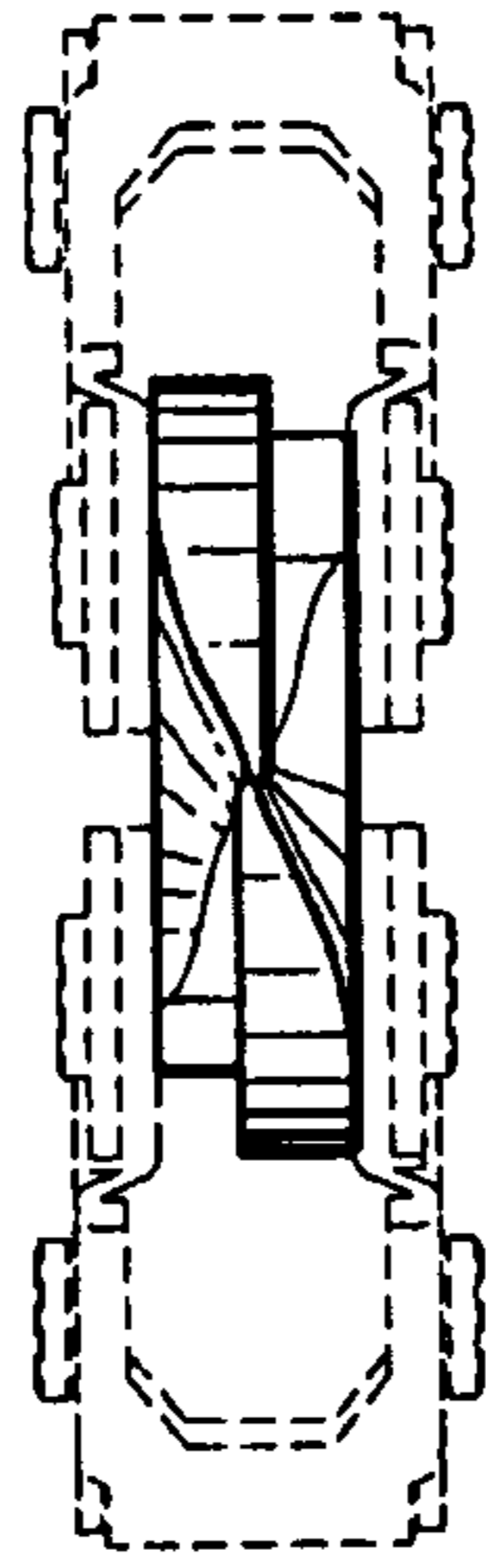


FIG. 1

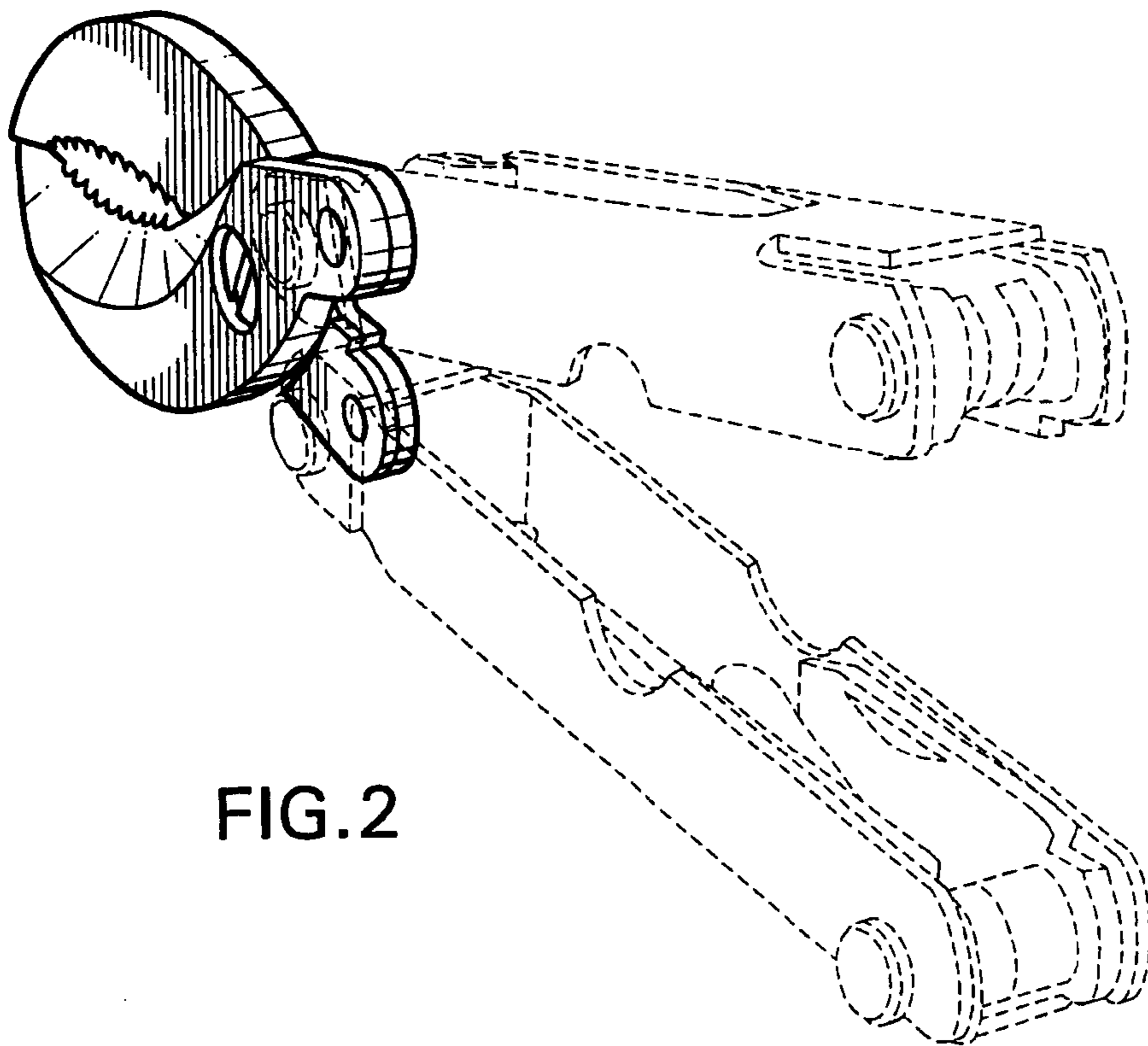


FIG. 2

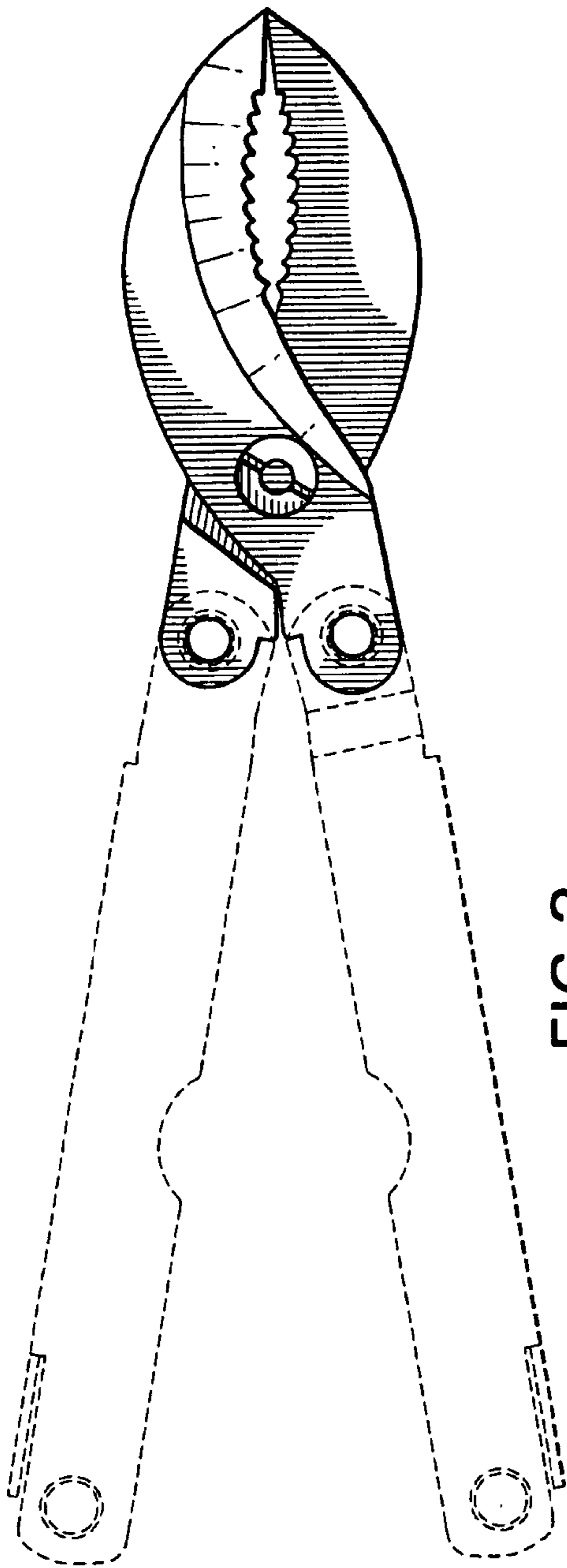


FIG. 3

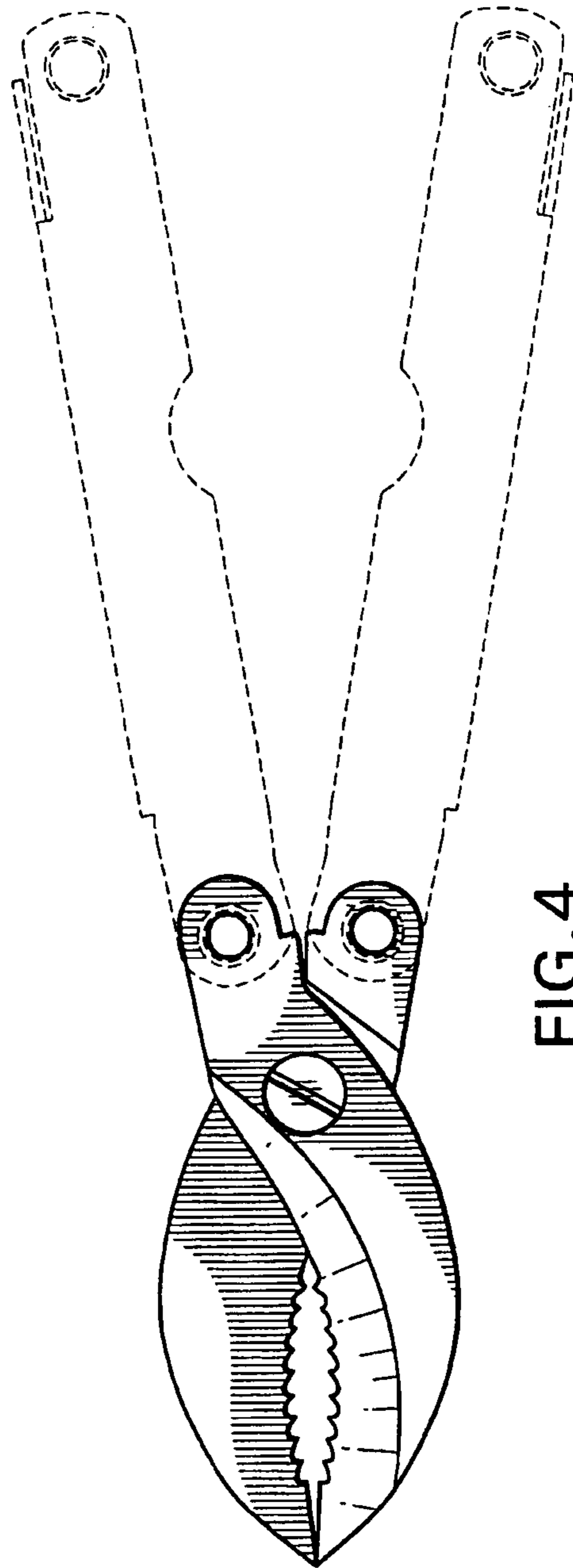


FIG. 4

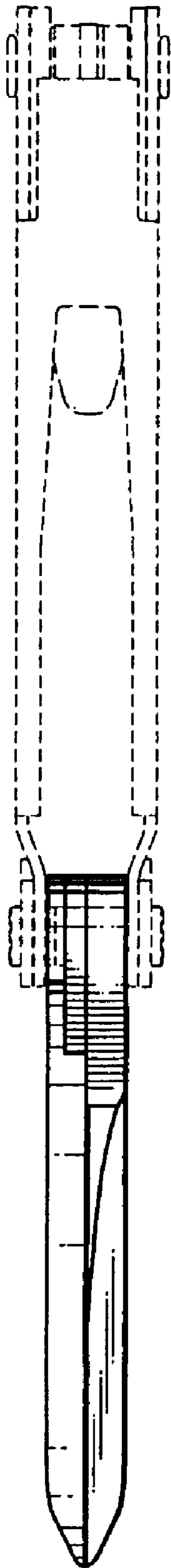


FIG. 5

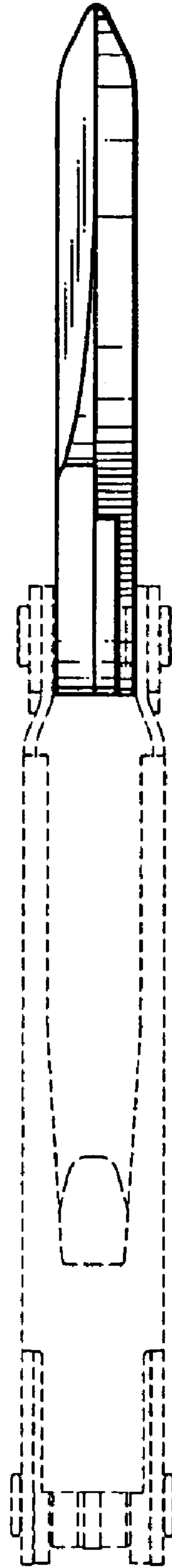


FIG. 6