



US00D528376S

(12) **United States Design Patent**
Munson et al.

(10) **Patent No.:** **US D528,376 S**

(45) **Date of Patent:** **** Sep. 19, 2006**

(54) **COLANDER PAN**

(75) Inventors: **Jeff D. Munson**, Henderson, NV (US);
James A. Ingram, Laguna Hills, CA
(US)

(73) Assignee: **Cambro Manufacturing Company**,
Huntington Beach, CA (US)

(**) Term: **14 Years**

(21) Appl. No.: **29/237,183**

(22) Filed: **Aug. 29, 2005**

(51) **LOC (8) Cl.** **07-04**

(52) **U.S. Cl.** **D7/667; D7/356; D7/545**

(58) **Field of Classification Search** D7/667,
D7/668, 354, 356, 409, 543, 545; 99/410,
99/411, 413, 400; 210/469, 470, 475; 220/215,
220/212.5, 351, 346

See application file for complete search history.

(56) **References Cited**

U.S. PATENT DOCUMENTS

5,988,050 A * 11/1999 Foster, Jr. 99/467

6,055,901 A * 5/2000 Gantos et al. 99/412

D432,866 S * 10/2000 Harrison D7/545

6,463,844 B1 * 10/2002 Wang et al. 99/400

D468,168 S * 1/2003 Gruenberg, Sr. D7/667

6,705,210 B1 * 3/2004 Leonard 99/413

* cited by examiner

Primary Examiner—Terry A. Wallace

(74) *Attorney, Agent, or Firm*—George F. Bethel

(57) **CLAIM**

We claim the ornamental design for a colander pan, as shown and described.

DESCRIPTION

FIG. 1 shows a perspective top view of the design for a colander pan.

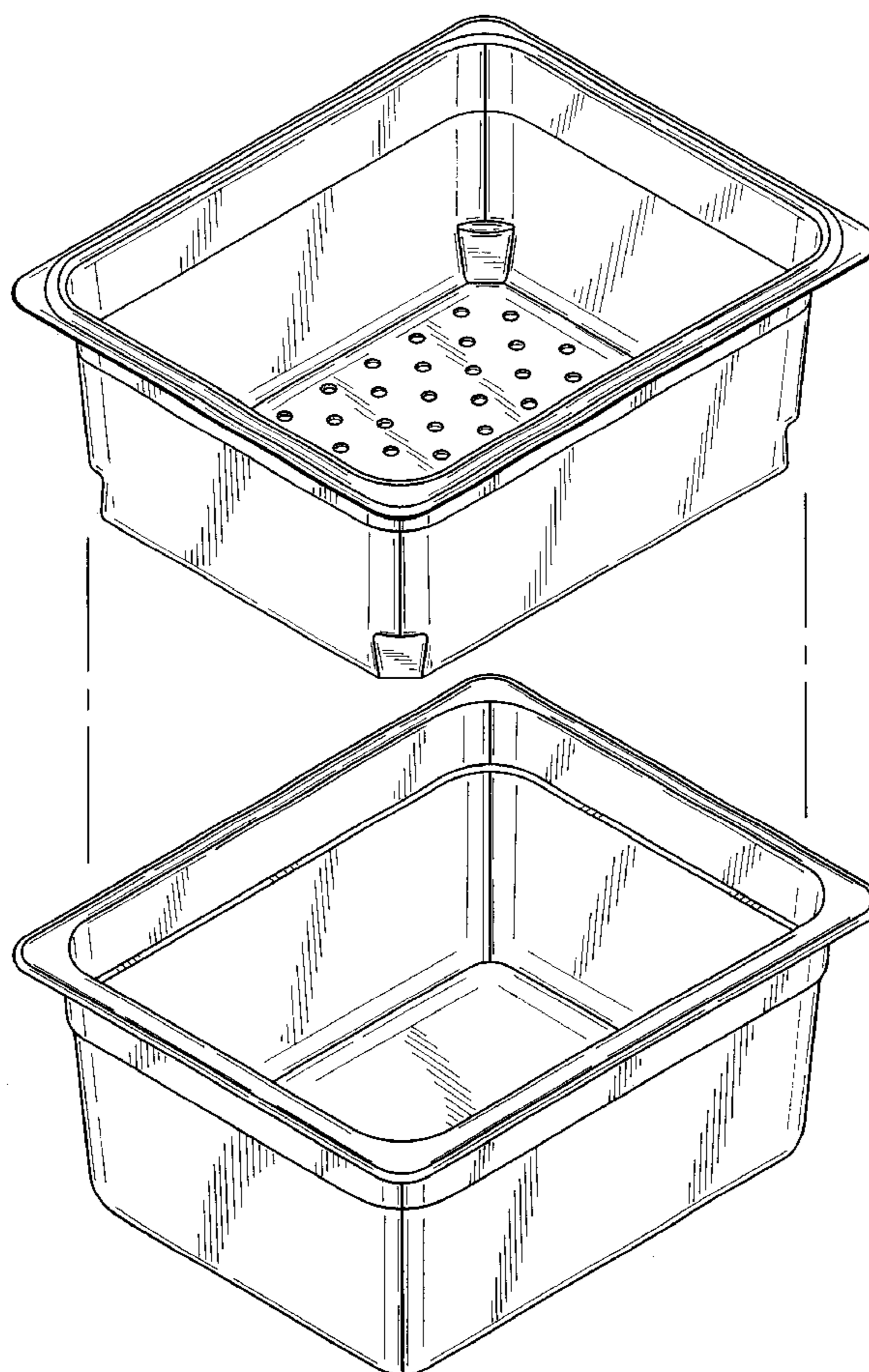
FIG. 2 shows a top plan view.

FIG. 3 shows a front elevation view looking from the right side of FIG. 1.

FIG. 4 shows a left side elevation view; and,

FIG. 5 shows a bottom plan view.

1 Claim, 4 Drawing Sheets



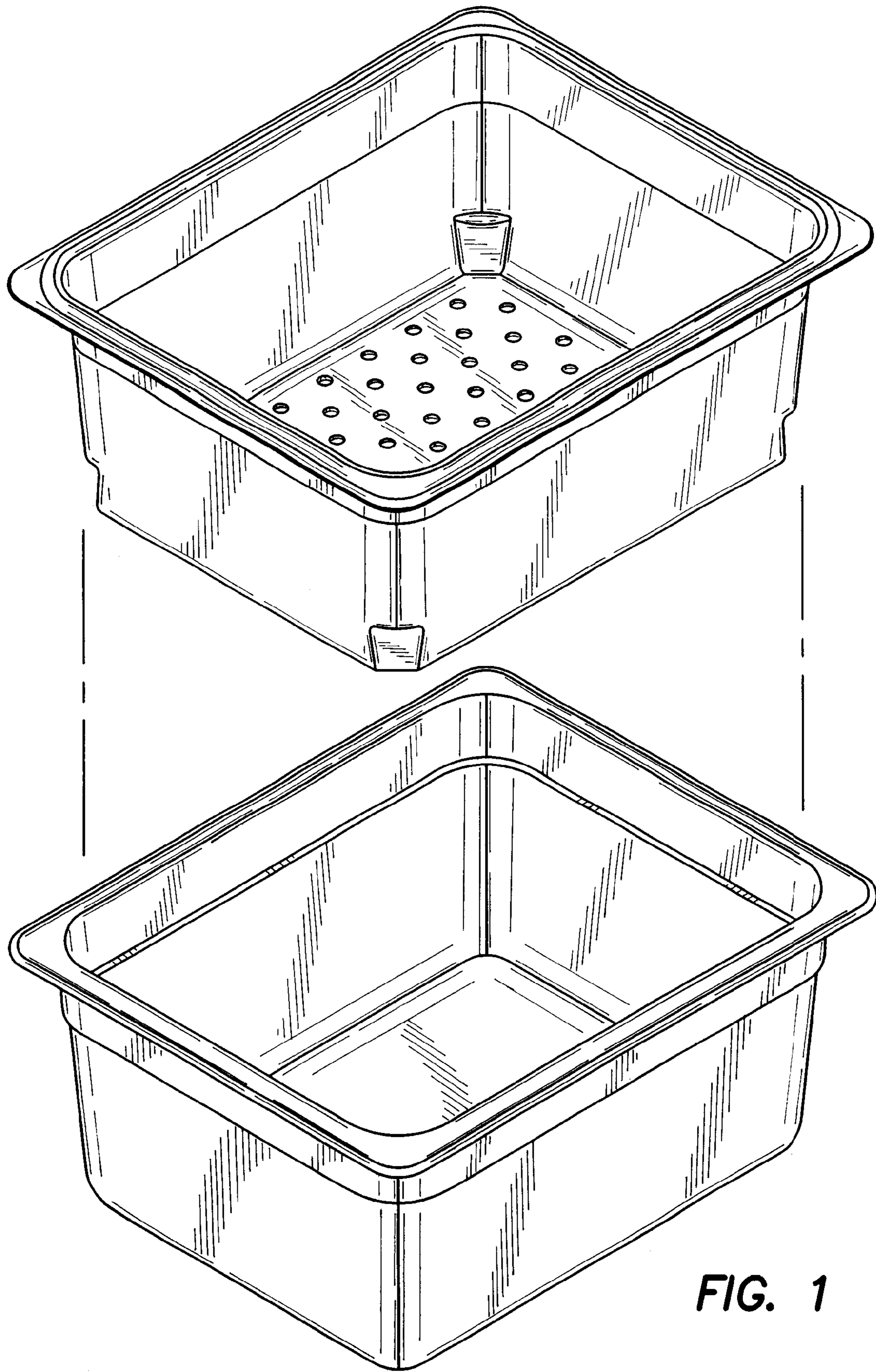


FIG. 1

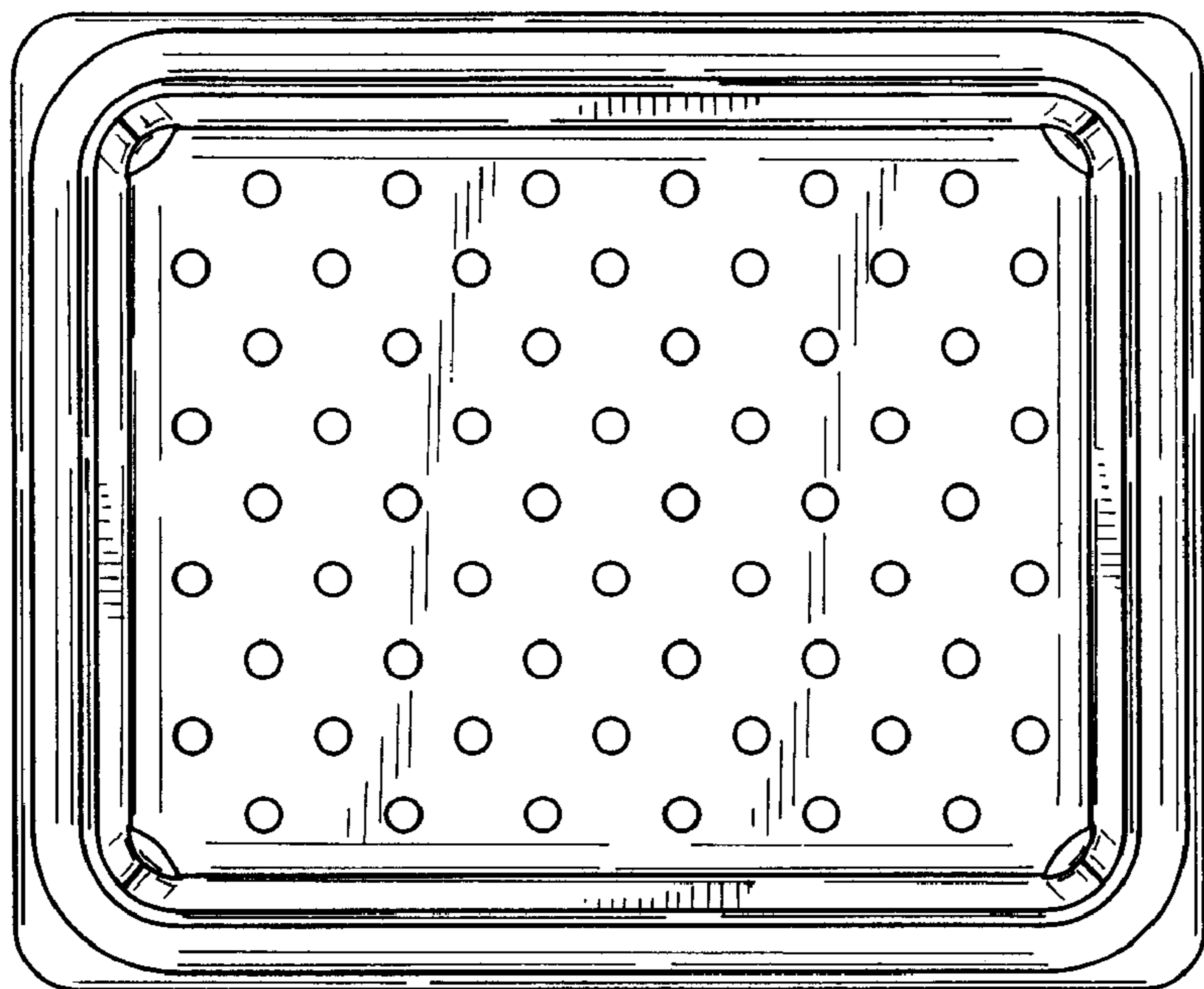


FIG. 2

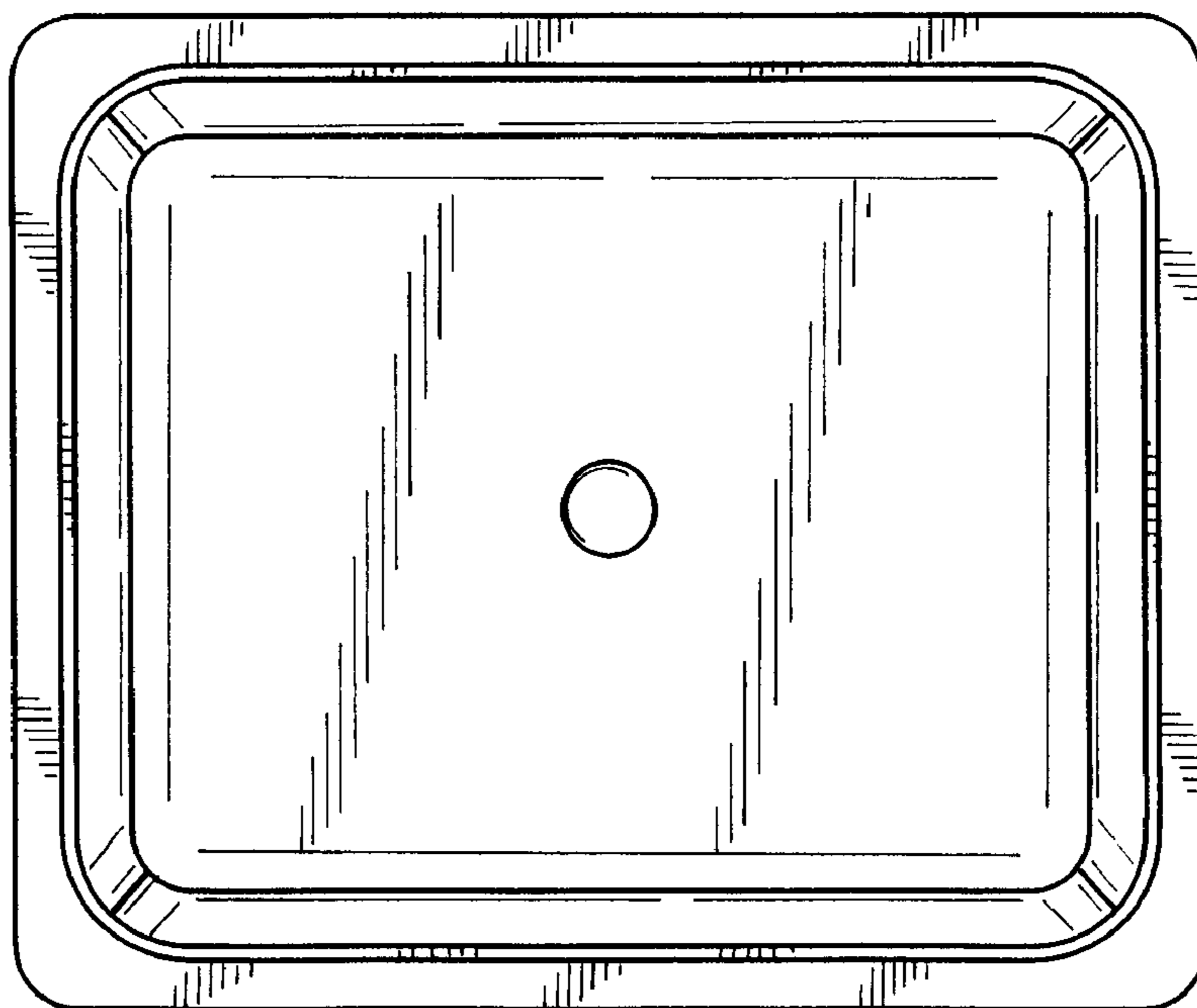


FIG. 5

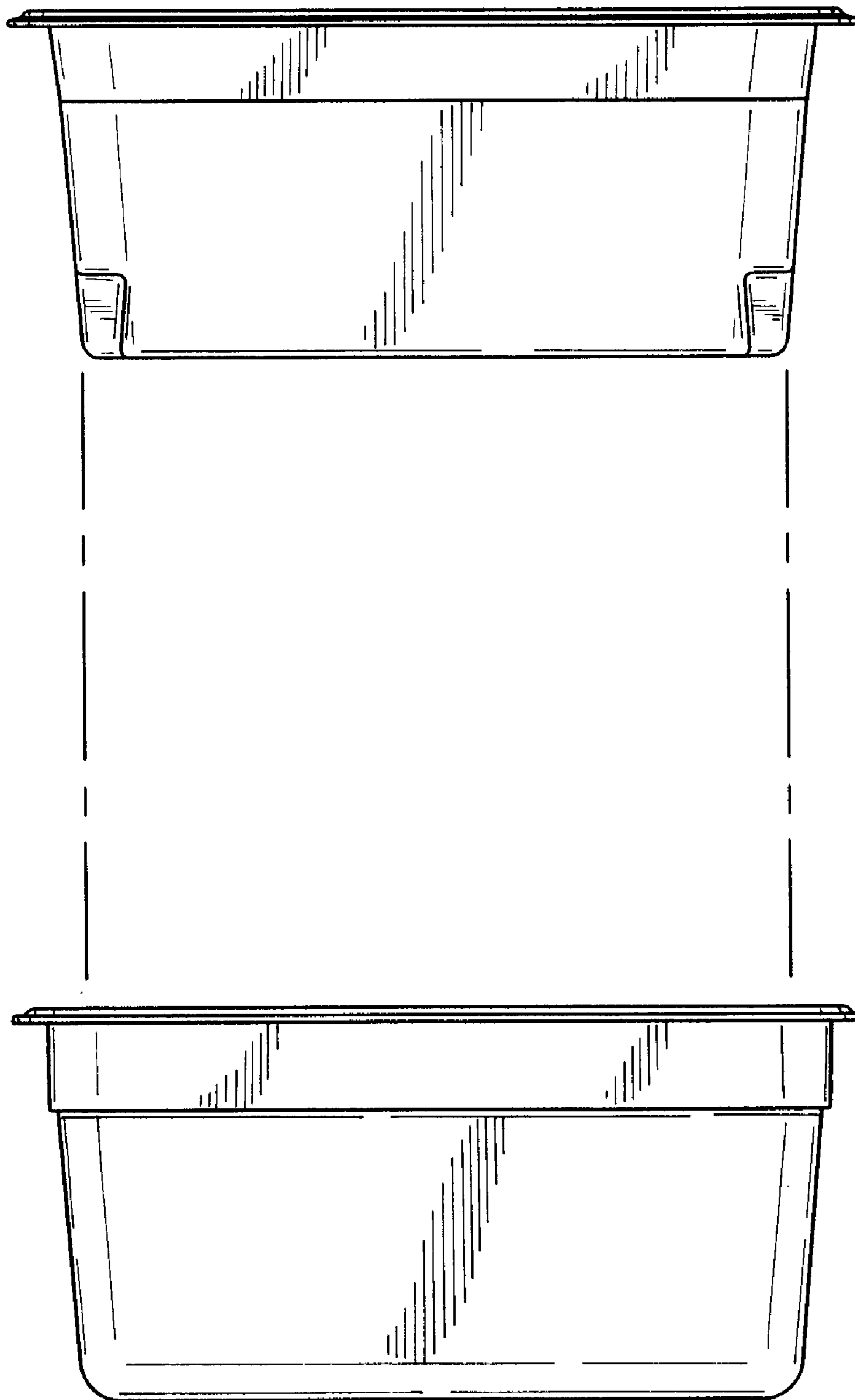


FIG. 3

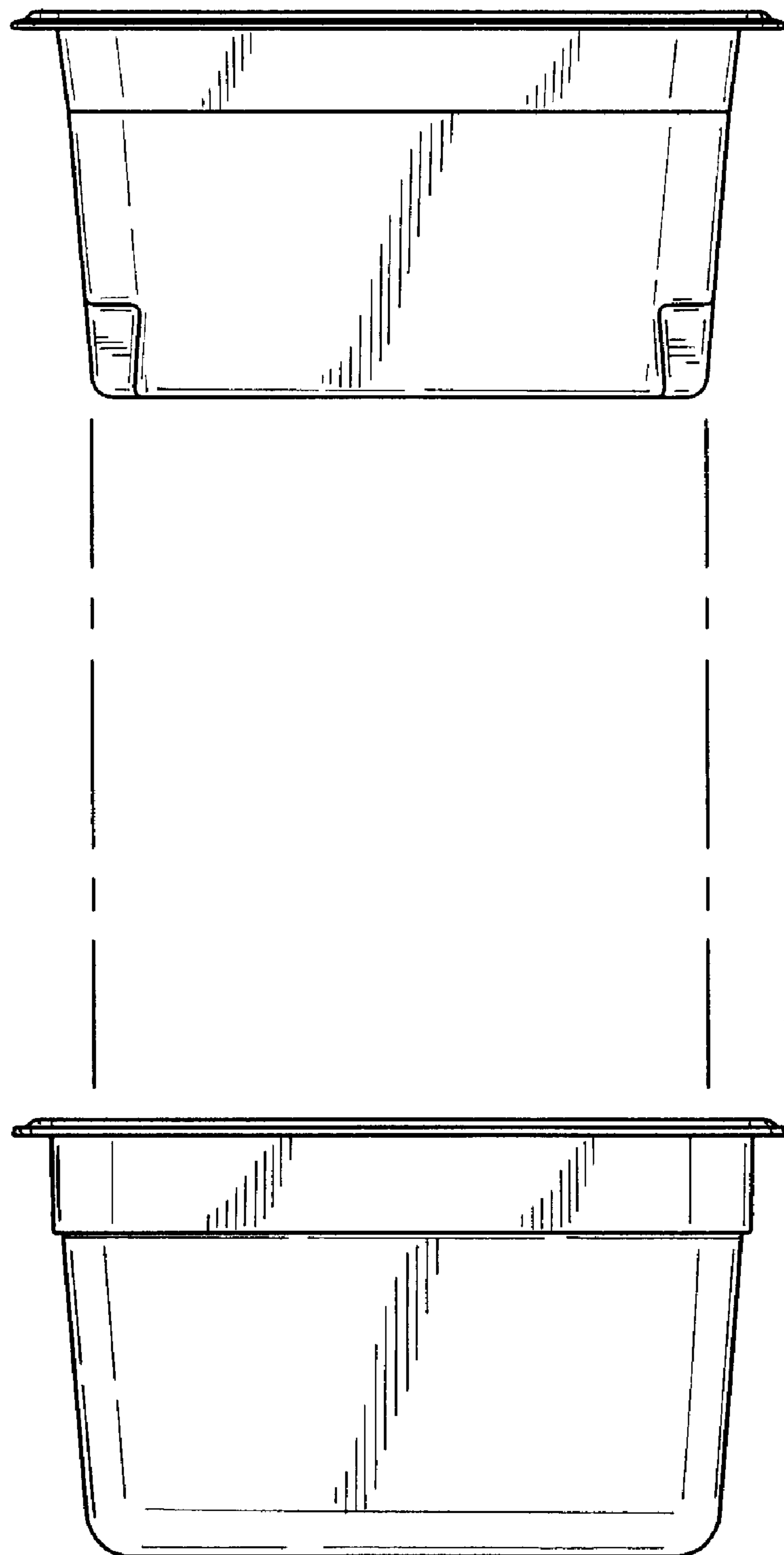


FIG. 4