



US00D528371S

(12) **United States Design Patent**  
**de Groote**

(10) **Patent No.:** **US D528,371 S**

(45) **Date of Patent:** **\*\* Sep. 19, 2006**

(54) **BREAD HOLDER WITH CUTTING BOARD**

(75) Inventor: **Jan-Hendrik de Groote**, Brussels (BE)

(73) Assignee: **Dart Industries Inc.**, Orlando, FL (US)

(\*\*) Term: **14 Years**

(21) Appl. No.: **29/236,762**

(22) Filed: **Aug. 22, 2005**

(51) **LOC (8) Cl.** ..... **07-07**

(52) **U.S. Cl.** ..... **D7/609**; D7/698

(58) **Field of Classification Search** ..... D7/609,  
D7/698, 629, 538-542; D9/430-432; 269/13,  
269/289 R, 302.1; 99/483, 467; 220/4.21,  
220/331, 334, 558, 626, 831, 908; 312/229,  
312/328, 284

See application file for complete search history.

(56) **References Cited**

**U.S. PATENT DOCUMENTS**

D161,771 S	1/1951	Lumley	
2,736,452 A	* 2/1956	Roop	220/4.21
D371,278 S	7/1996	Jørgensen	
D372,399 S	8/1996	Wang	
D374,380 S	* 10/1996	Sawatsky	D7/698
D405,320 S	2/1999	Tisdale	

D412,645 S	* 8/1999	Yang	D7/609
D414,084 S	9/1999	Schmidt	
D428,775 S	8/2000	Chen	
D448,251 S	9/2001	Bodum	
D484,752 S	* 1/2004	Verbeek	D7/609
6,707,009 B1	3/2004	Ancona et al.	

\* cited by examiner

*Primary Examiner*—Terry A. Wallace

(74) *Attorney, Agent, or Firm*—John A. Doninger

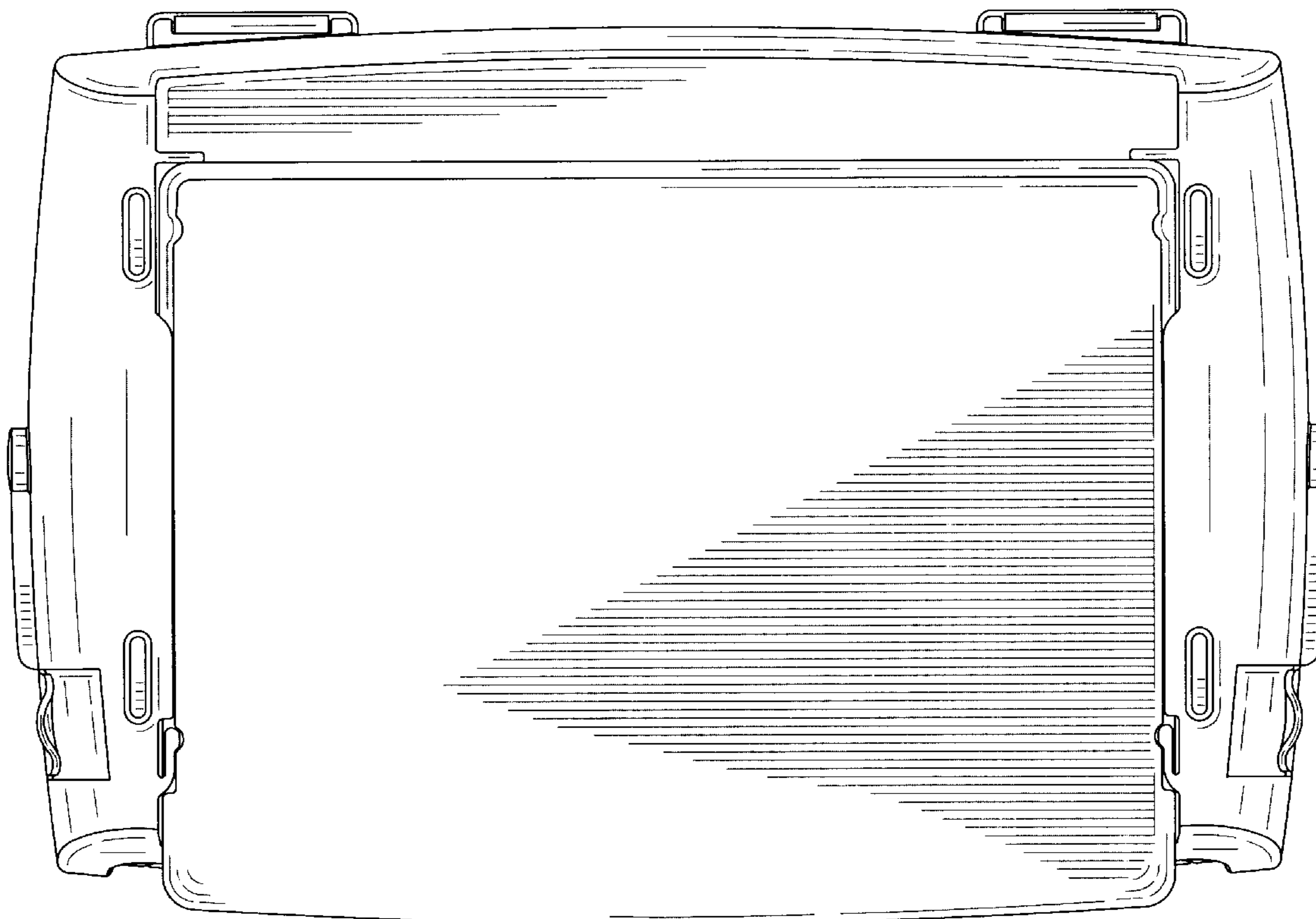
(57) **CLAIM**

The ornamental design for a bread holder with cutting board, as shown and described.

**DESCRIPTION**

FIG. 1 is a top, right and front perspective view of a bread holder with cutting board showing the new design; FIG. 2 is a front elevation view thereof; FIG. 3 is a rear elevation view thereof; FIG. 4 is a right side elevation view thereof; FIG. 5 is a left side elevation view thereof; FIG. 6 is a top plan view thereof; FIG. 7 is a bottom plan thereof; and, FIG. 8 is a perspective view with the cutting board in the extended position.

**1 Claim, 7 Drawing Sheets**



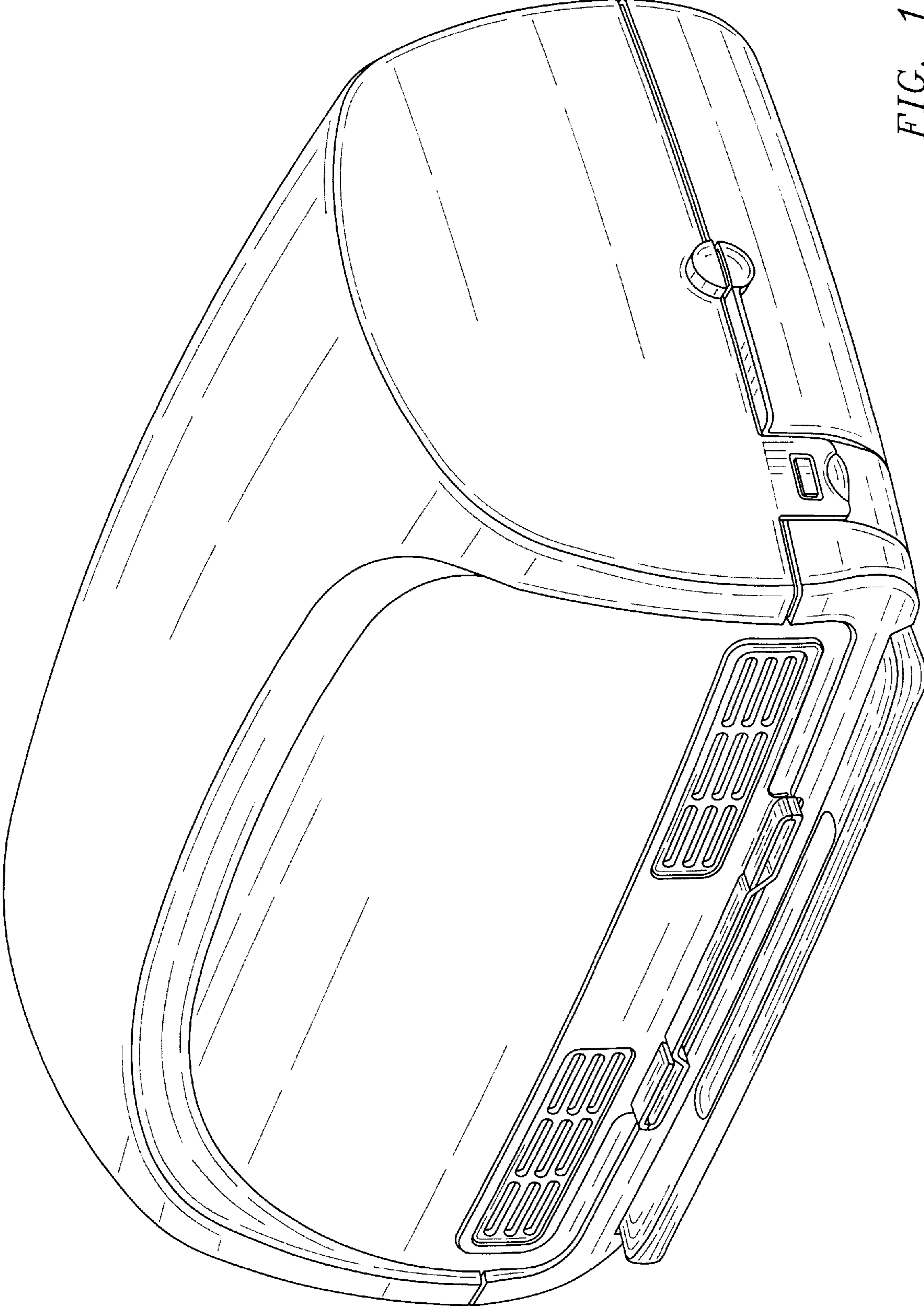


FIG. 1

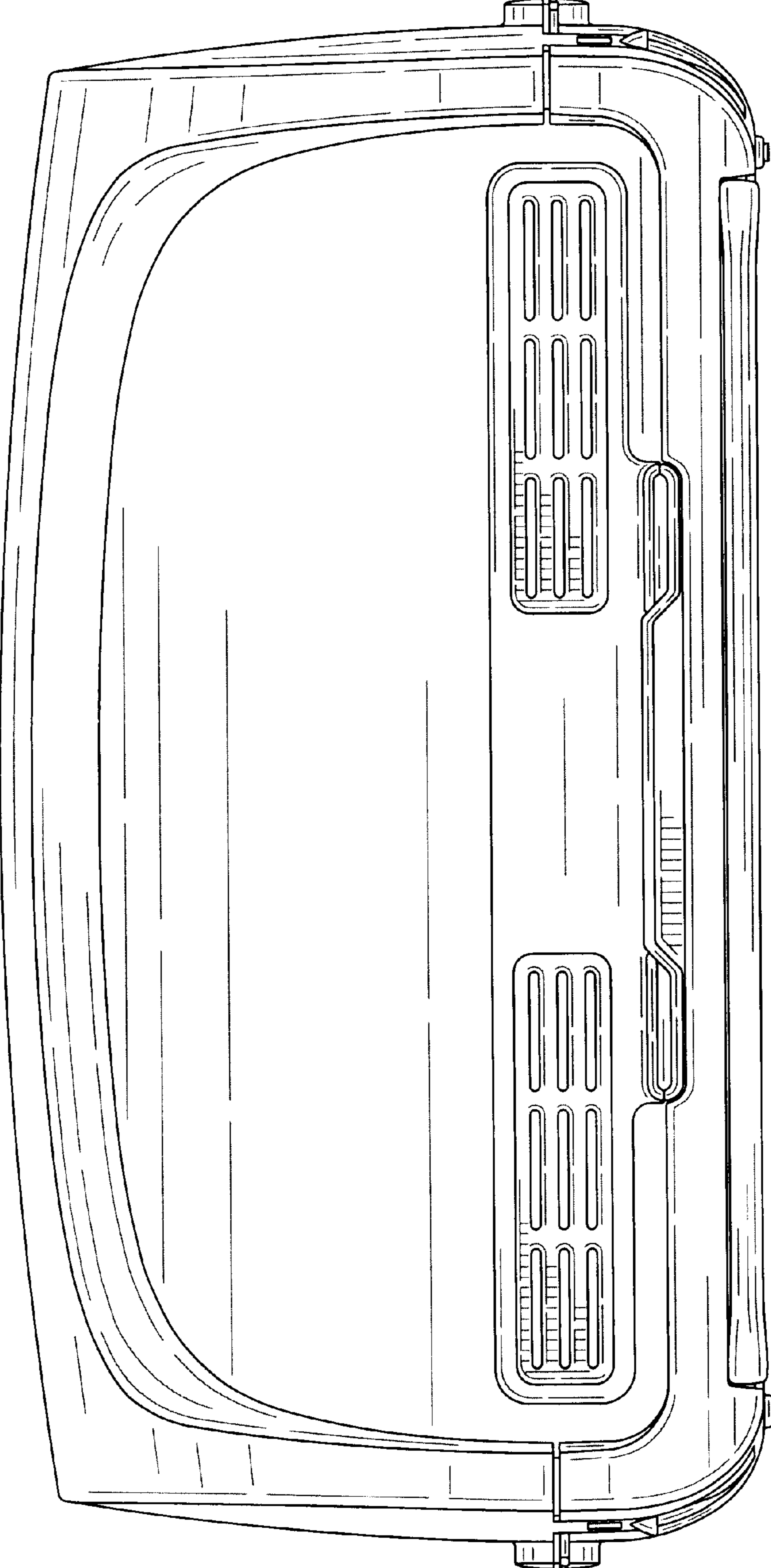


FIG. 2

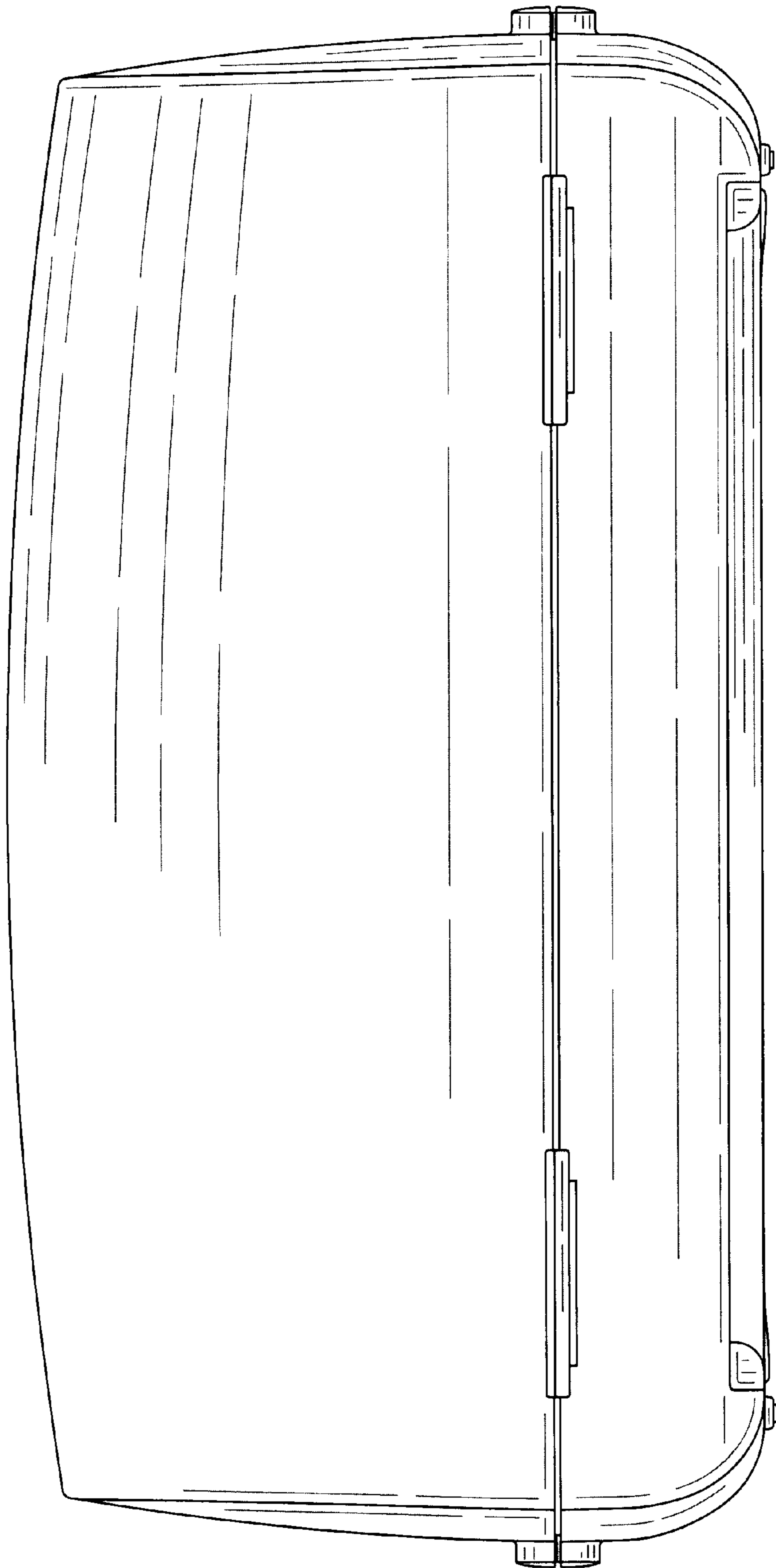


FIG. 3

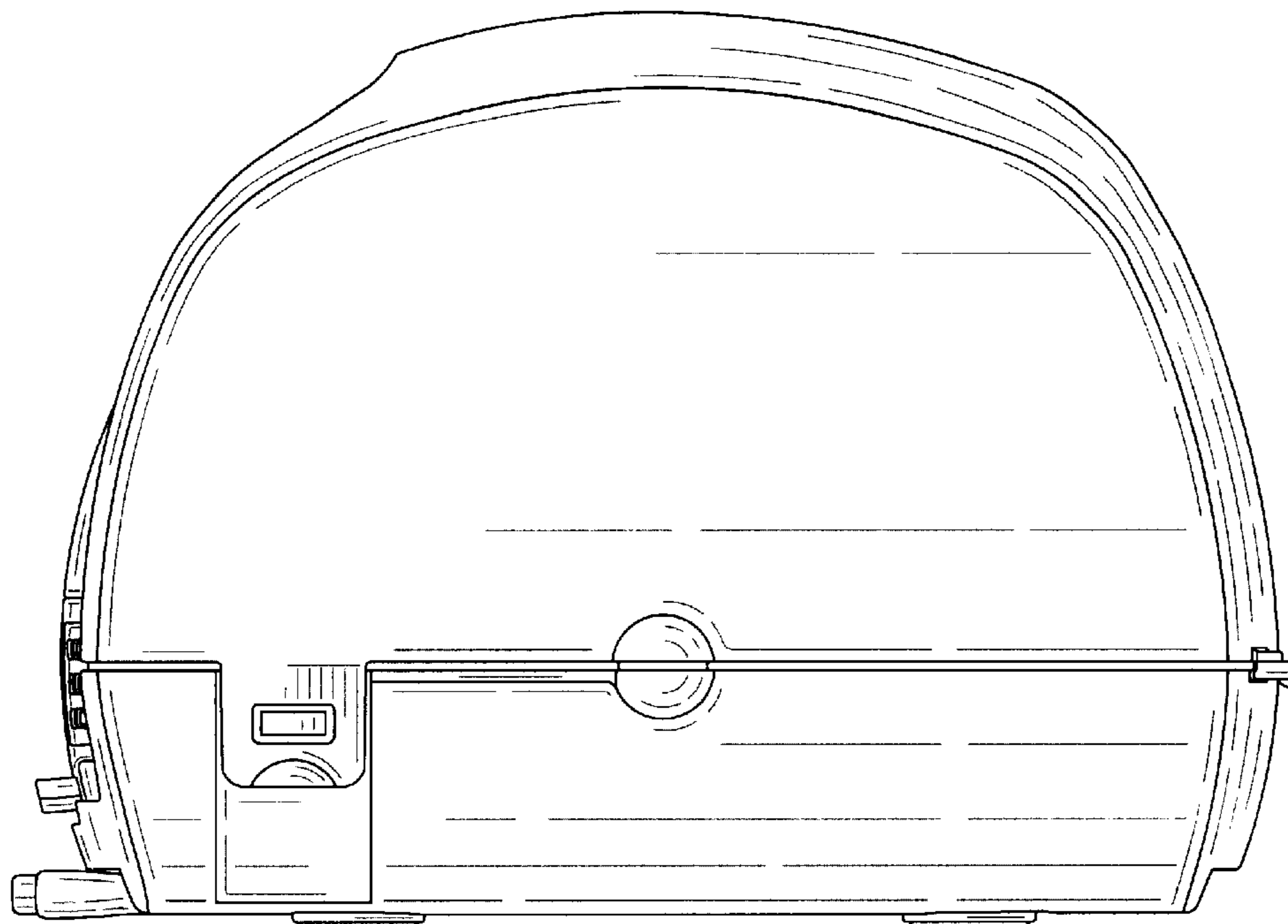


FIG. 4

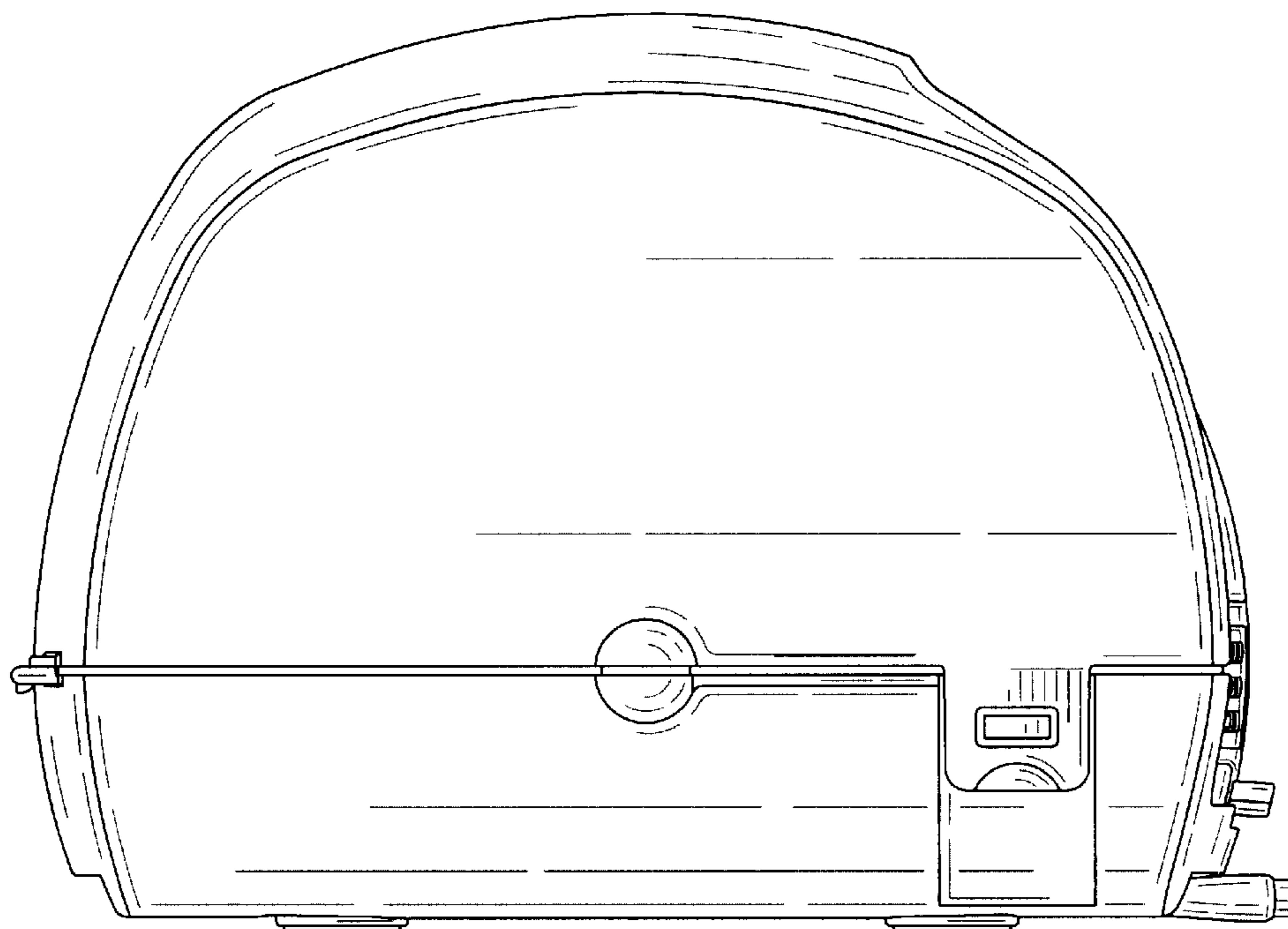


FIG. 5

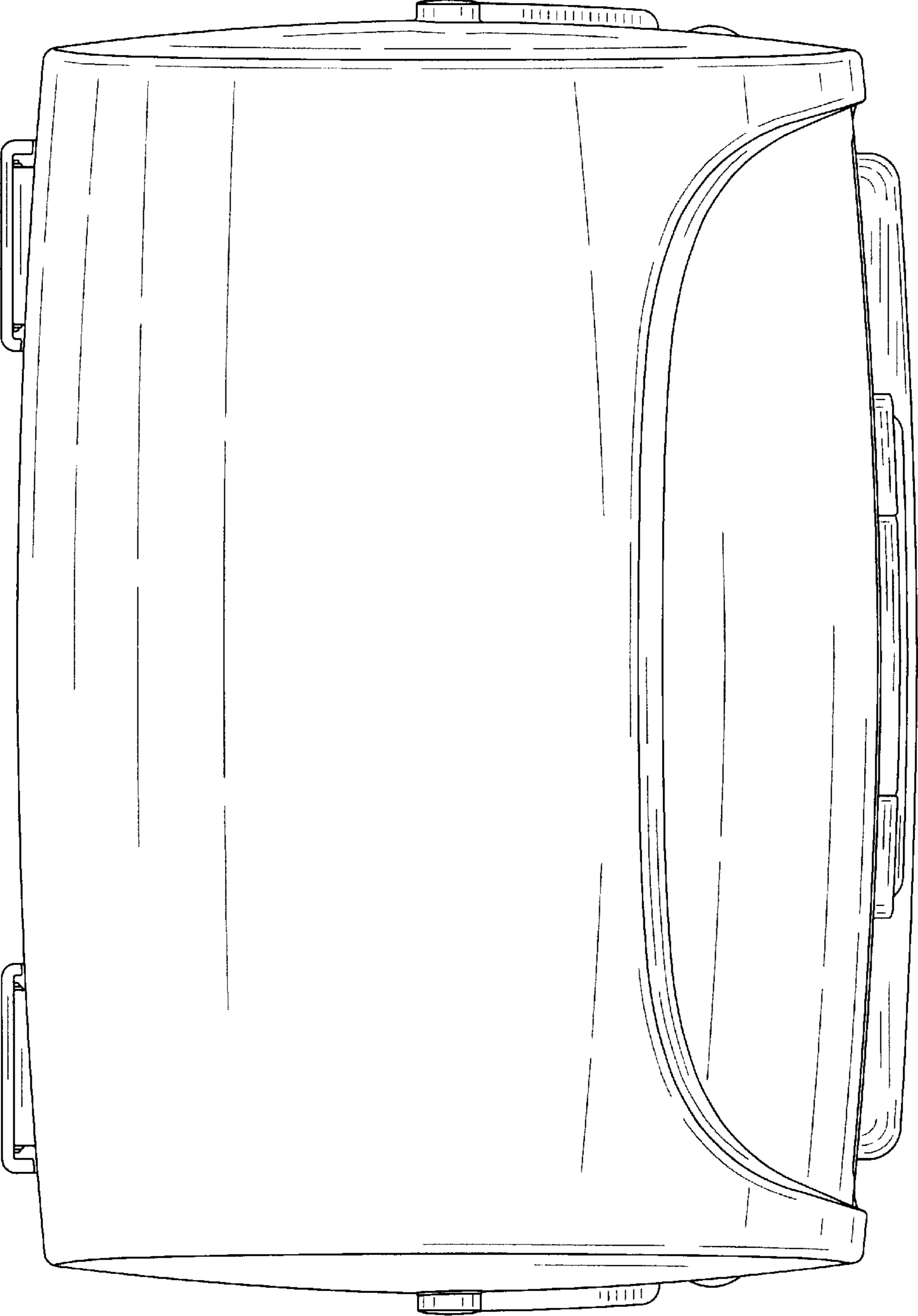


FIG. 6

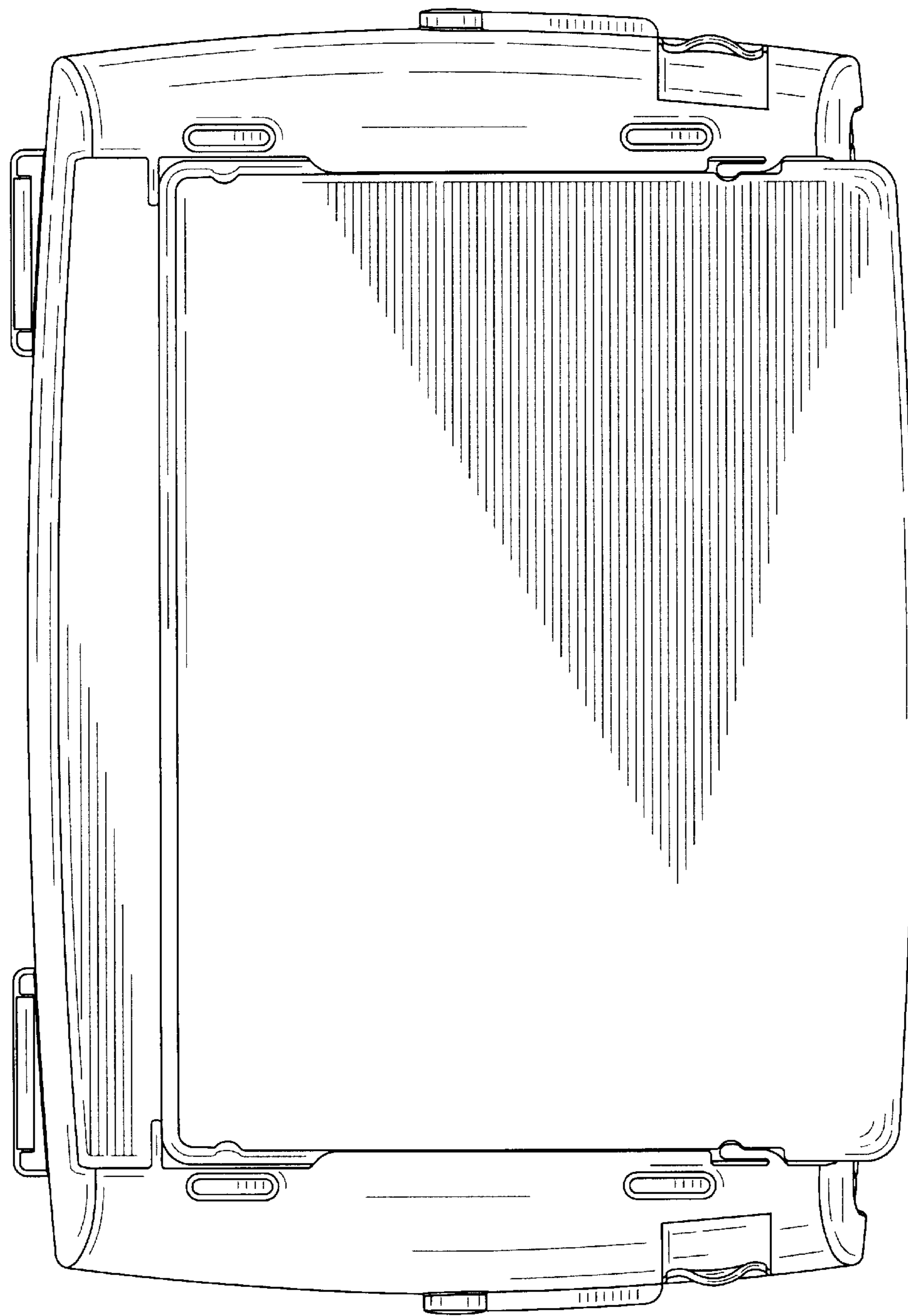


FIG. 7

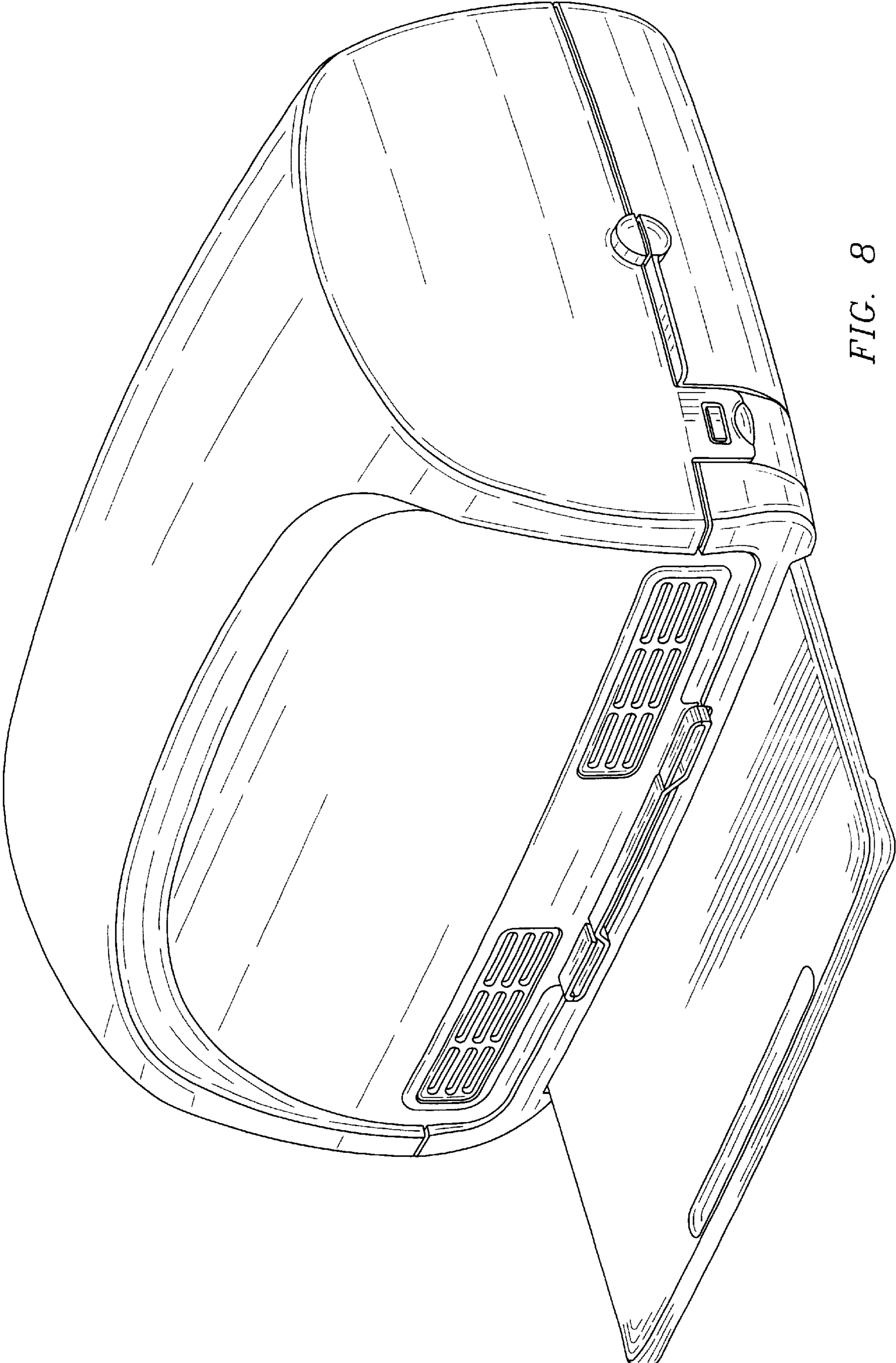


FIG. 8