



US00D528368S

(12) **United States Design Patent**
Maldonado

(10) **Patent No.:** **US D528,368 S**

(45) **Date of Patent:** **** Sep. 19, 2006**

- (54) **ICE CHEST WITH WHEELS**
- (75) Inventor: **John Maldonado**, Katy, TX (US)
- (73) Assignee: **Igloo Products Corporation**, Houston, TX (US)
- (**) Term: **14 Years**
- (21) Appl. No.: **29/206,234**
- (22) Filed: **May 28, 2004**
- (51) **LOC (8) Cl.** **07-01**
- (52) **U.S. Cl.** **D7/605**
- (58) **Field of Classification Search** D7/605-608;
62/457.1-457.9, 3.62, 371, 372; 220/915.1,
220/915.2, 592.03, 592.12-592.27; 280/29,
280/43.1, 43.24, 651-652; D34/24, 25
See application file for complete search history.

- 6,176,499 B1 1/2001 Conrado et al.
- 6,216,488 B1 4/2001 Rucker
- 6,305,185 B1 10/2001 Sloan
- 6,311,991 B1 11/2001 Conrado et al.
- 6,315,149 B1 11/2001 Conrado et al.
- 6,328,179 B1 12/2001 Conrado et al.
- 6,364,329 B1 4/2002 Holub et al.
- 6,374,839 B1 4/2002 Patarra
- 6,446,981 B1 9/2002 Wise et al.
- 6,474,097 B1 11/2002 Treppedi et al.
- 6,497,424 B1 12/2002 Gartner et al.
- 6,502,656 B1 1/2003 Weiss et al.
- 6,550,592 B1 4/2003 Godshaw et al.
- 6,554,012 B1 4/2003 Patarra
- D486,357 S 2/2004 Leba et al.

OTHER PUBLICATIONS

U.S. Appl. No. 10/386,098, filed Mar. 12, 2003.

* cited by examiner

Primary Examiner—Terry A. Wallace

(74) *Attorney, Agent, or Firm*—Nixon & Vanderhye PC

(56) **References Cited**

U.S. PATENT DOCUMENTS

- 4,724,681 A * 2/1988 Bartholomew et al. 62/457.7
- 4,796,909 A 1/1989 Kirkendall
- 5,228,706 A 7/1993 Boville
- 5,249,438 A 10/1993 Rhaney et al.
- 5,269,157 A 12/1993 Ciminelli et al.
- 5,285,656 A 2/1994 Peters
- 5,306,029 A 4/1994 Kaiser, II
- 5,423,195 A 6/1995 Peters
- D366,599 S * 1/1996 Brown et al. D7/605
- 5,480,170 A 1/1996 Kaiser, II
- D368,207 S * 3/1996 Januzzi D7/605
- D370,159 S * 5/1996 Fenton et al. D7/605
- 5,526,907 A 6/1996 Trawick et al.
- 5,781,853 A 7/1998 Johnson
- 5,839,738 A 11/1998 Ozark
- D416,447 S * 11/1999 Levy et al. D7/605
- 6,076,298 A 6/2000 Teel

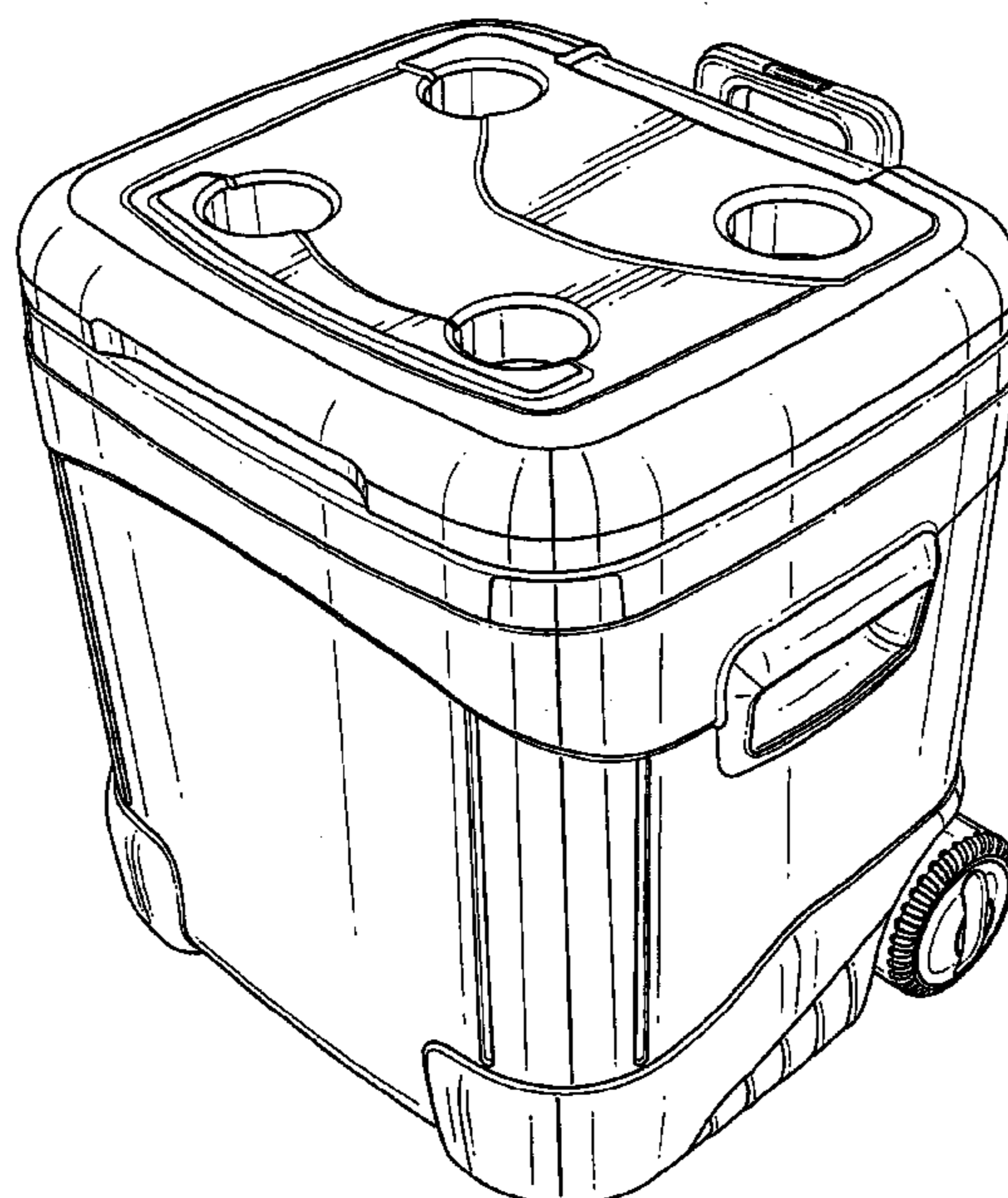
(57) **CLAIM**

The ornamental design for an “ice chest with wheels,” as shown and described.

DESCRIPTION

FIG. 1 is a perspective view of an ice chest with wheels from the front, right and above, showing my new design; FIG. 2 is a front side elevation view thereof; FIG. 3 is a rear side elevation view thereof; FIG. 4 is a right side elevation view, the left side elevation being the mirror image thereof; FIG. 5 is a top plan view thereof; and, FIG. 6 is a perspective view thereof from the rear, right and below.

1 Claim, 6 Drawing Sheets



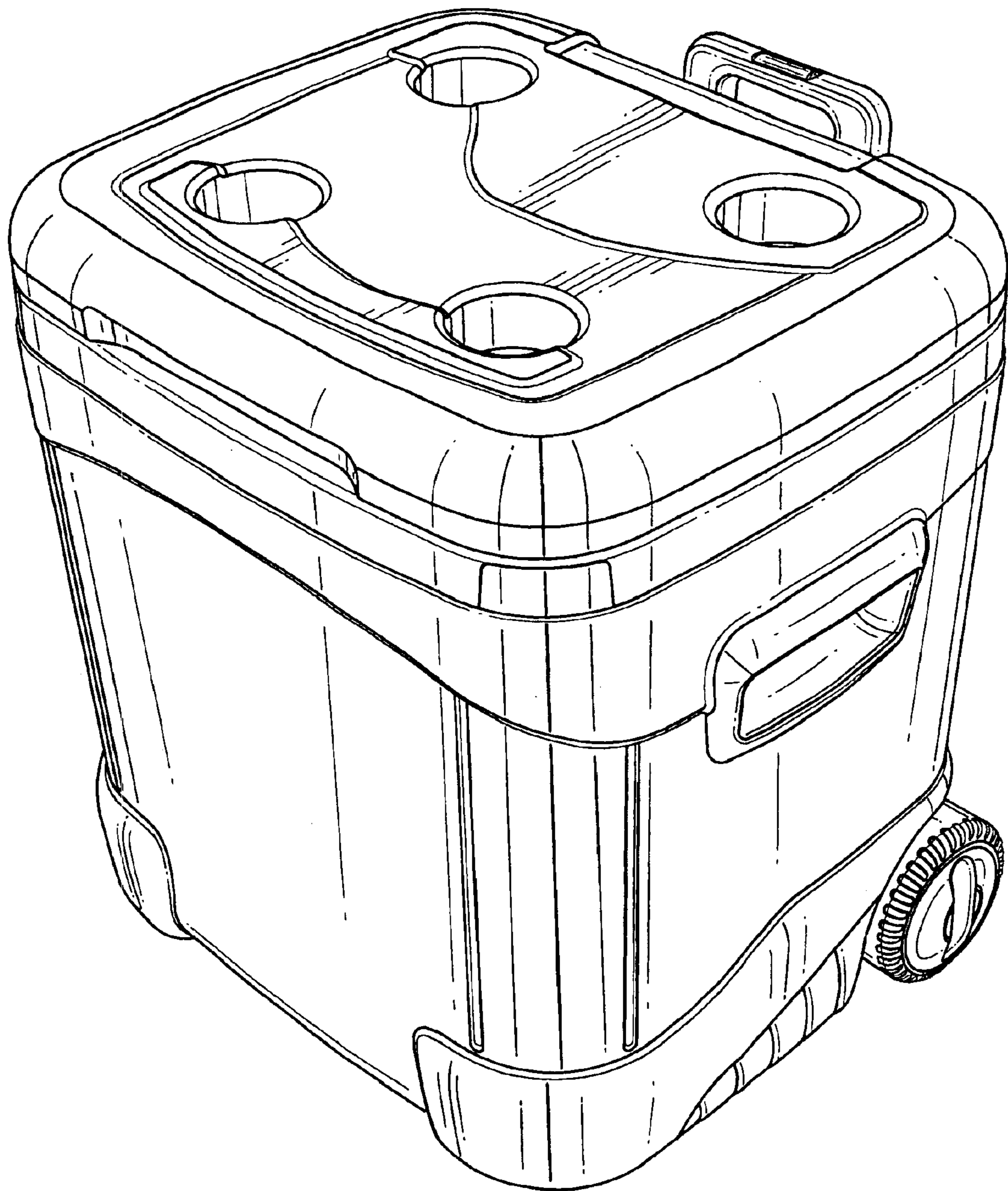


Fig. 1

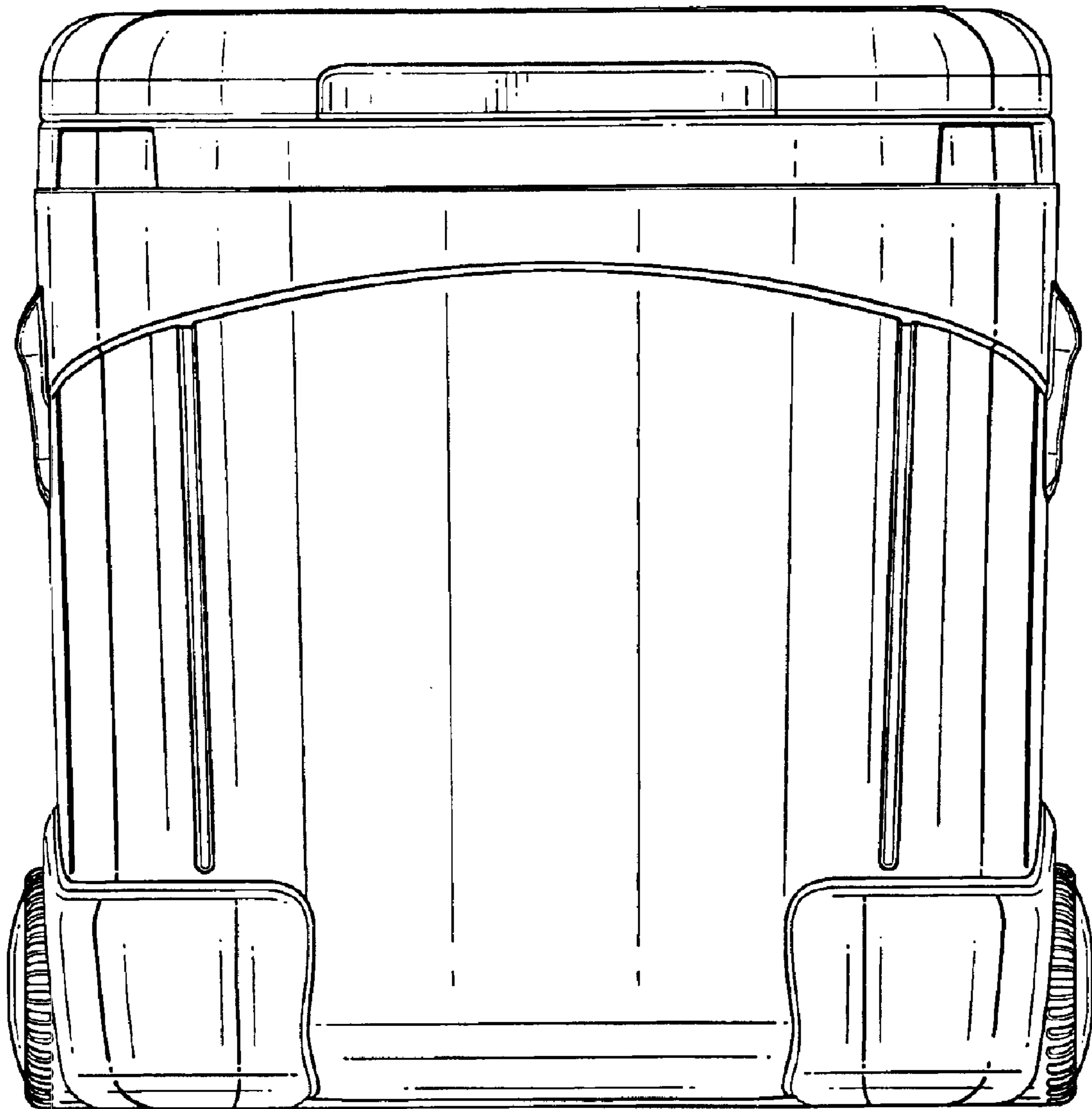


Fig. 2

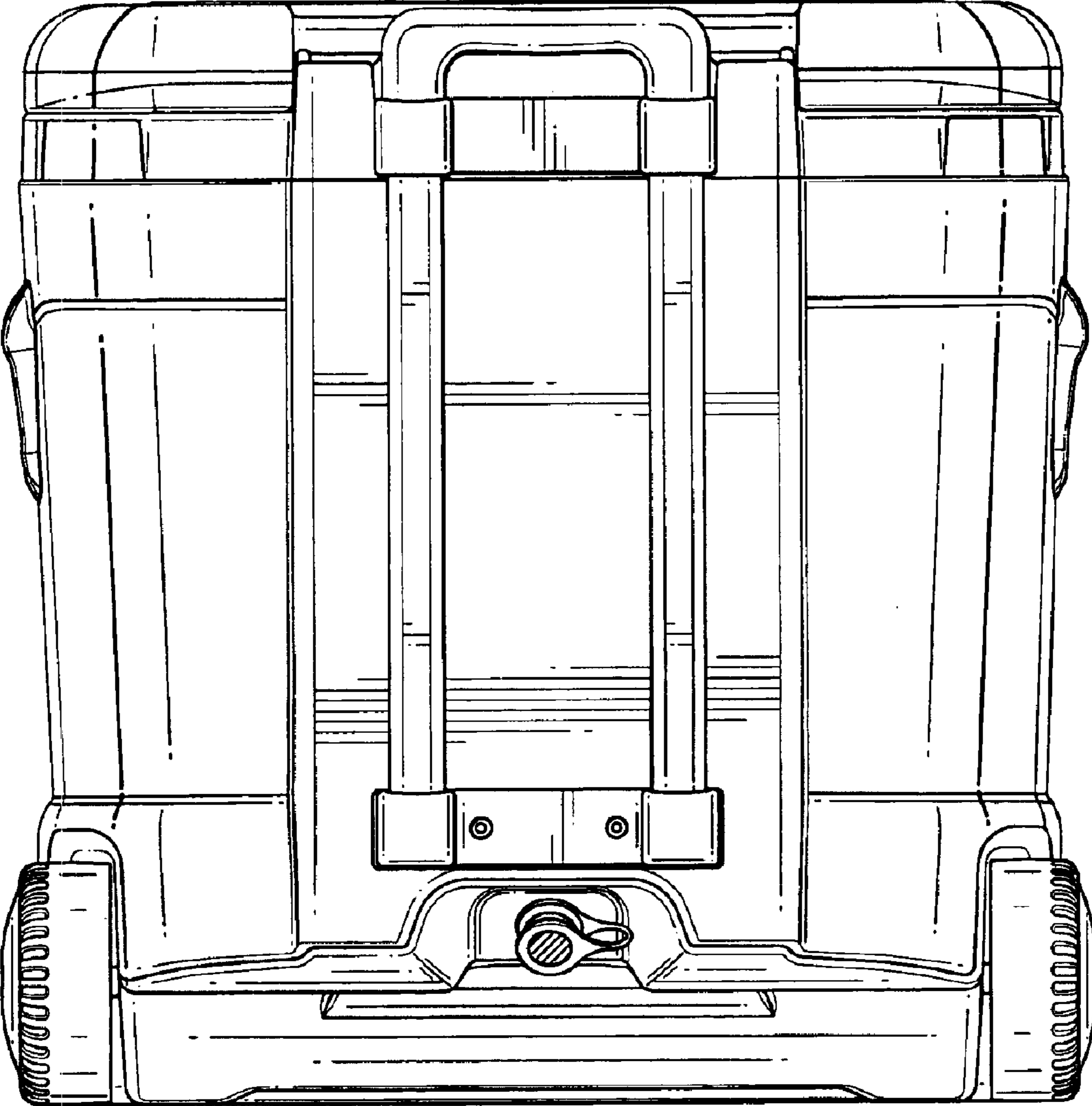


Fig. 3

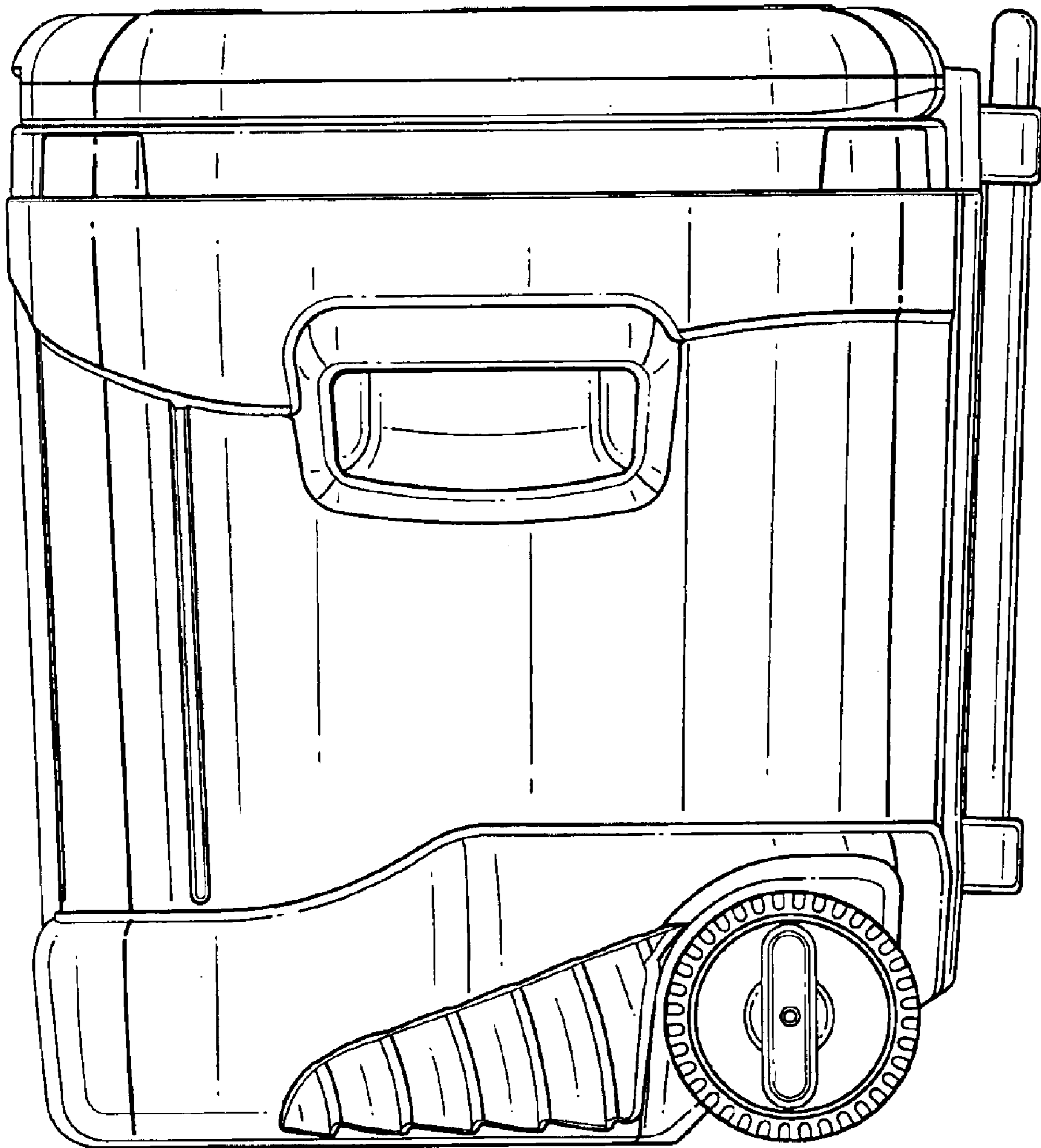


Fig. 4

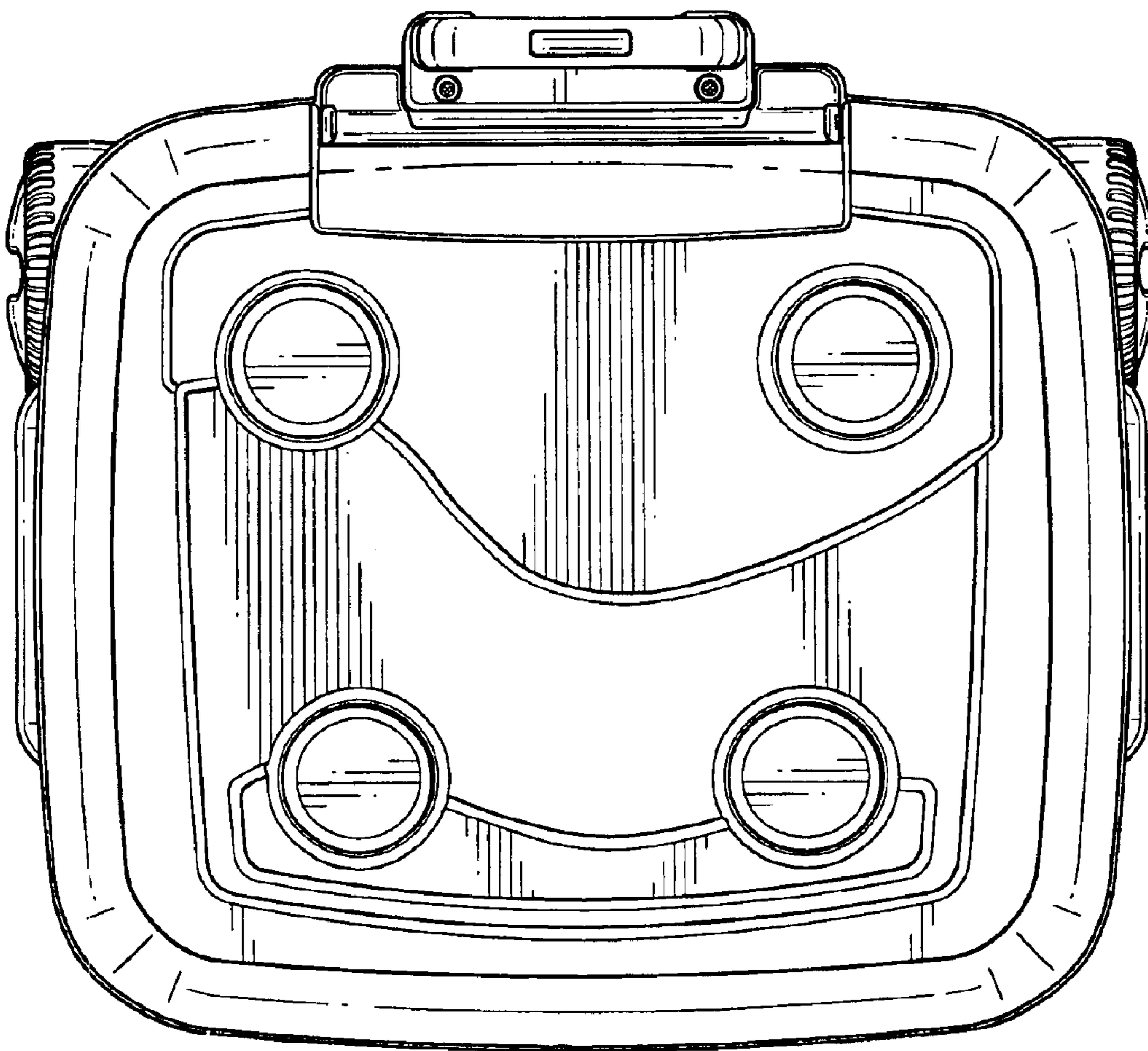


Fig. 5

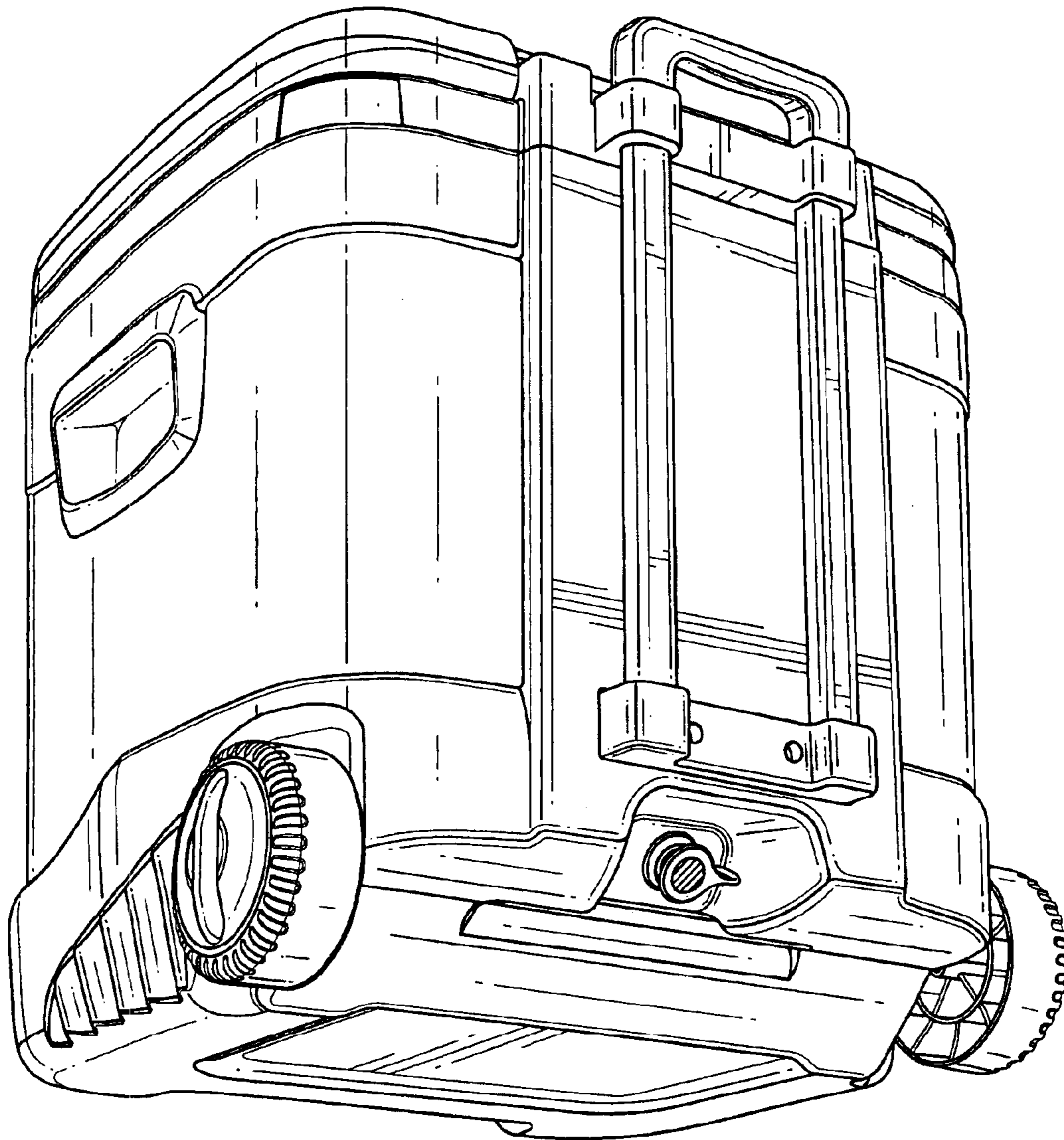


Fig. 6