

US00D528360S

(12) **United States Design Patent**  
**Pascal**

(10) **Patent No.:** **US D528,360 S**

(45) **Date of Patent:** **\*\* Sep. 19, 2006**

(54) **HANDLE FOR COOKING UTENSIL**

(75) Inventor: **Cuillery Pascal**, Faverges (FR)

(73) Assignee: **TEFAL** (FR)

(\*\*) Term: **14 Years**

(21) Appl. No.: **29/239,943**

(22) Filed: **Oct. 6, 2005**

(30) **Foreign Application Priority Data**

Apr. 6, 2005 (FR) ..... 05 1791

(51) **LOC (8) Cl.** ..... **07-02**

(52) **U.S. Cl.** ..... **D7/393**

(58) **Field of Classification Search** ..... D7/354-361,  
D7/293-395, 401.2; D8/107, 307; D4/138,  
D4/129; 16/430, 431, 110.1, 407; 220/573.1-573.5,  
220/752, 753, 755, 756, 912

See application file for complete search history.

(56) **References Cited**

**U.S. PATENT DOCUMENTS**

4,761,851 A \* 8/1988 Day et al. .... 220/752  
D384,243 S \* 9/1997 Nicollet ..... D7/395  
D392,151 S \* 3/1998 Munari ..... D7/395  
D411,077 S \* 6/1999 Kwok ..... D7/395  
D417,121 S \* 11/1999 Brunianyn ..... D7/395  
6,032,822 A \* 3/2000 Munari ..... 220/573.1

D448,973 S \* 10/2001 Hay et al. .... D7/395  
D461,363 S \* 8/2002 Law ..... D7/395  
D490,270 S \* 5/2004 Pippel et al. .... D7/395  
D491,016 S \* 6/2004 Rae ..... D7/395  
D491,764 S \* 6/2004 Munari ..... D7/395  
D494,038 S \* 8/2004 Shih ..... D8/107  
D496,219 S \* 9/2004 Rae ..... D7/395  
D508,631 S \* 8/2005 Cuillery ..... D7/395  
D510,233 S \* 10/2005 Giannone ..... D7/395

\* cited by examiner

*Primary Examiner*—Holly Baynham

*Assistant Examiner*—Cynthia M. Chin

(74) *Attorney, Agent, or Firm*—Wolf, Block, Schorr & Solis-Cohen LLP

(57) **CLAIM**

The ornamental design for a handle for cooking utensil, as shown and described.

**DESCRIPTION**

FIG. 1 is a front perspective view of the handle showing my design.

FIG. 2 is a front view of the handle of FIG. 1.

FIG. 3 is a left side view of the handle of FIG. 1.

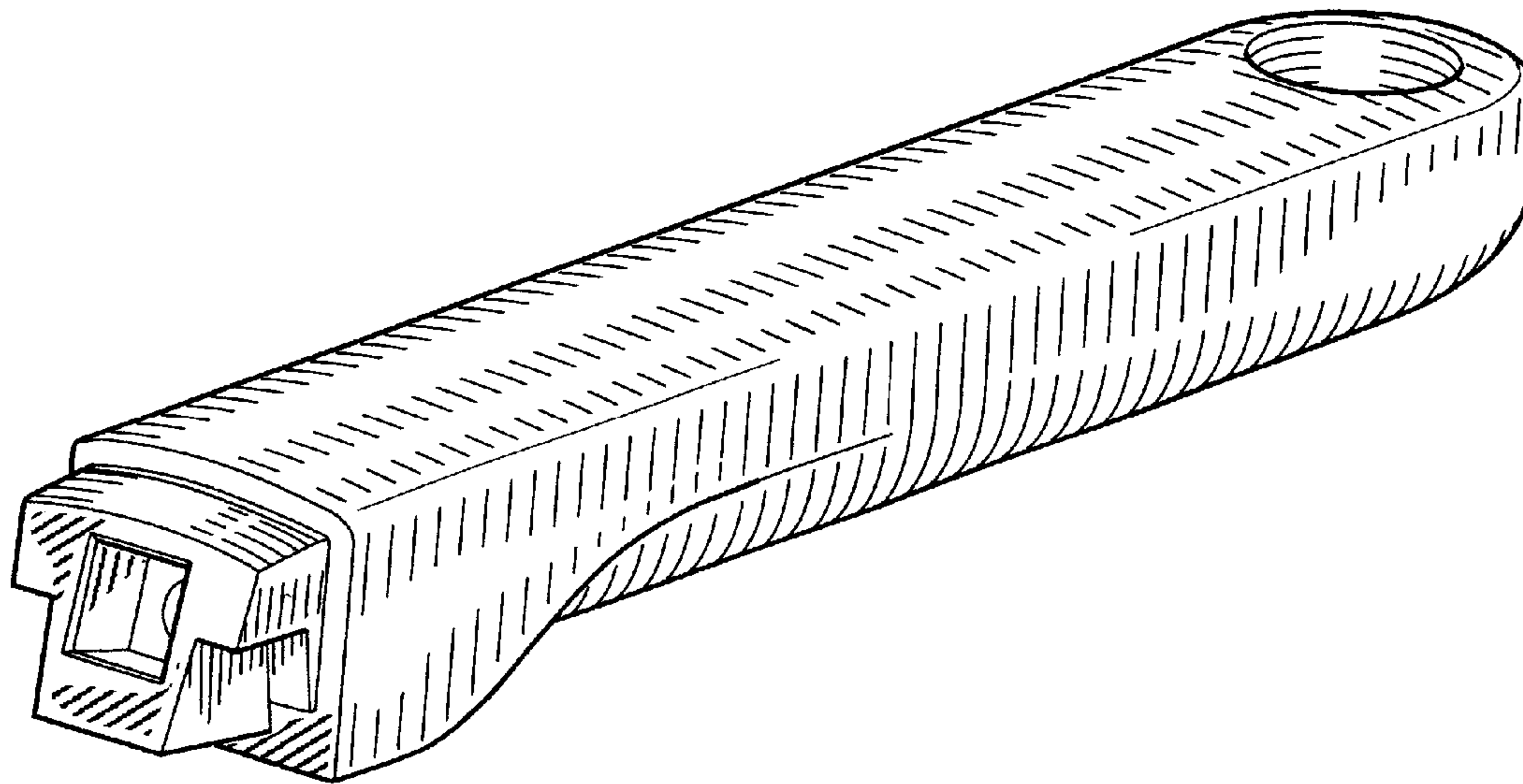
FIG. 4 is a right side view of the handle of FIG. 1.

FIG. 5 is a top view of the handle of FIG. 1.

FIG. 6 is a bottom view of the handle of FIG. 1; and,

FIG. 7 is a rear view of the handle of FIG. 1.

**1 Claim, 7 Drawing Sheets**



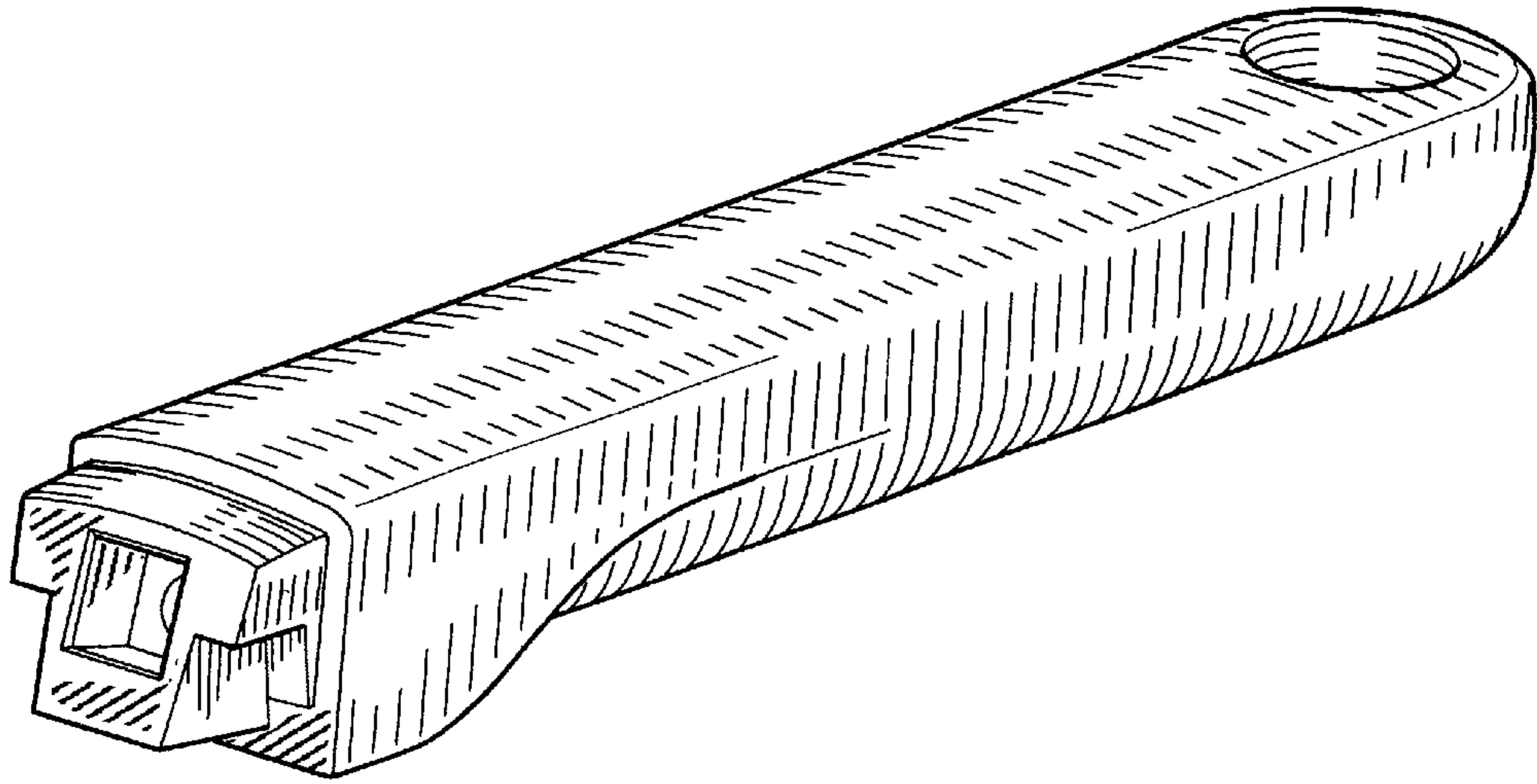


Fig. 1

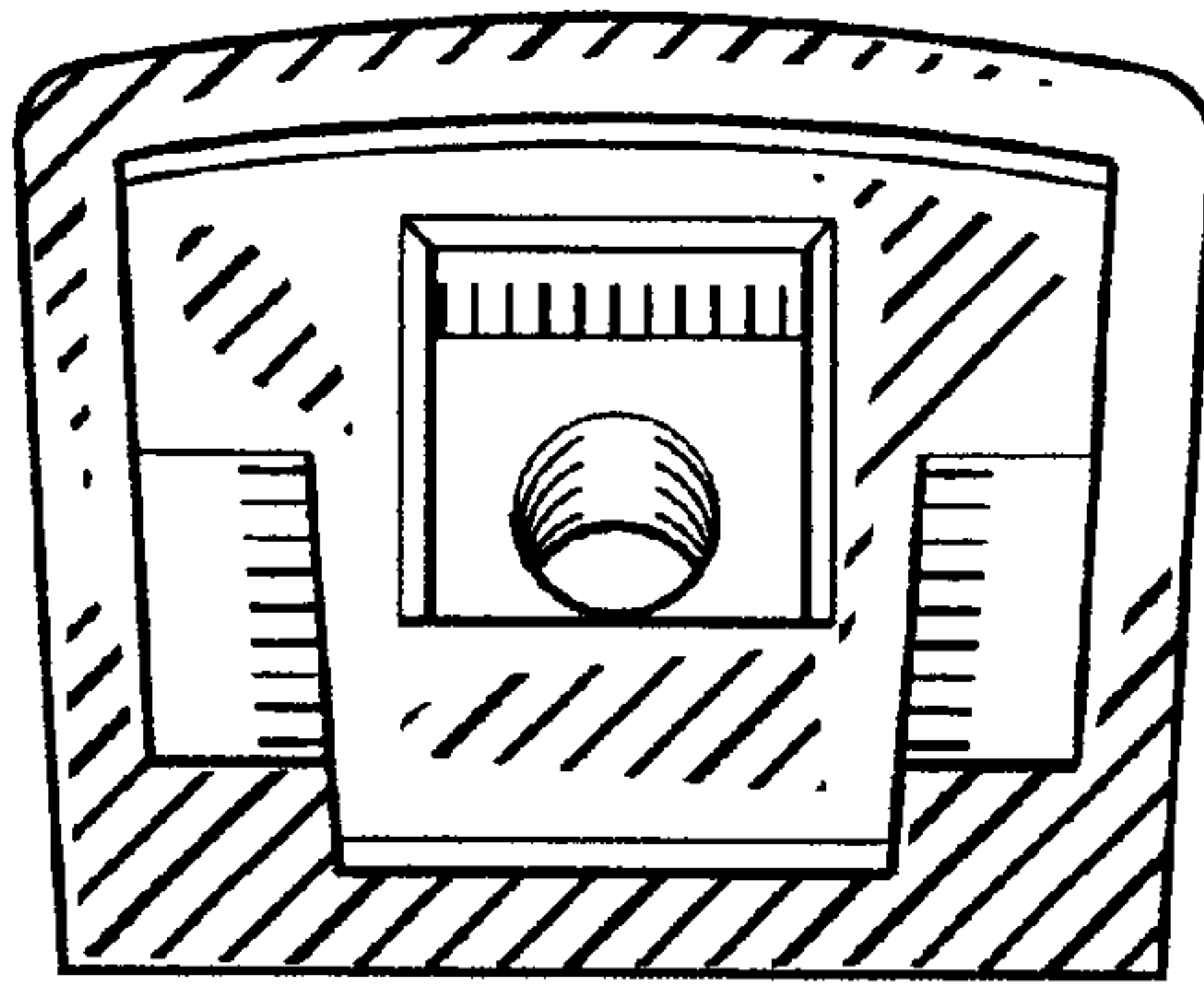


Fig. 2

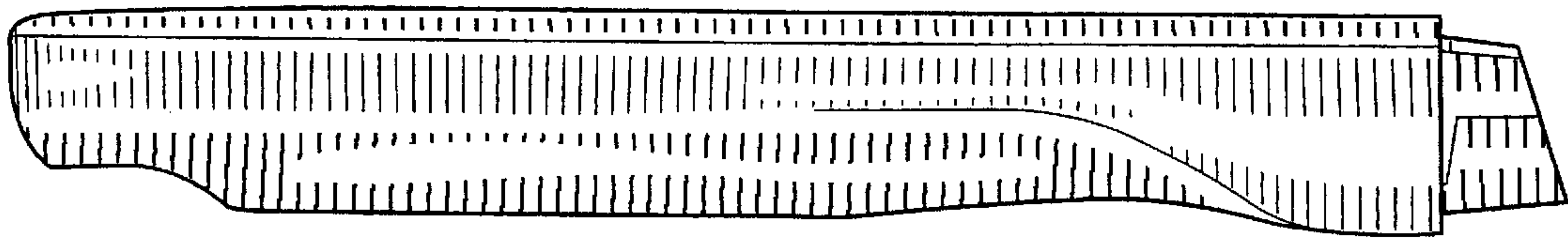


Fig. 3

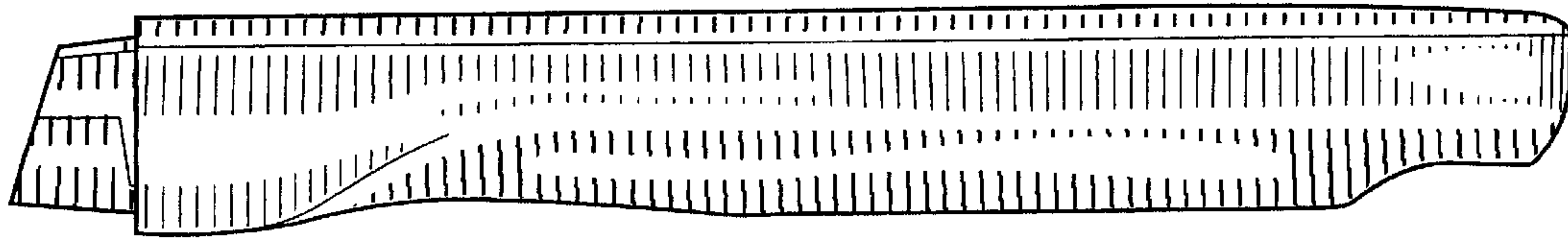


Fig. 4

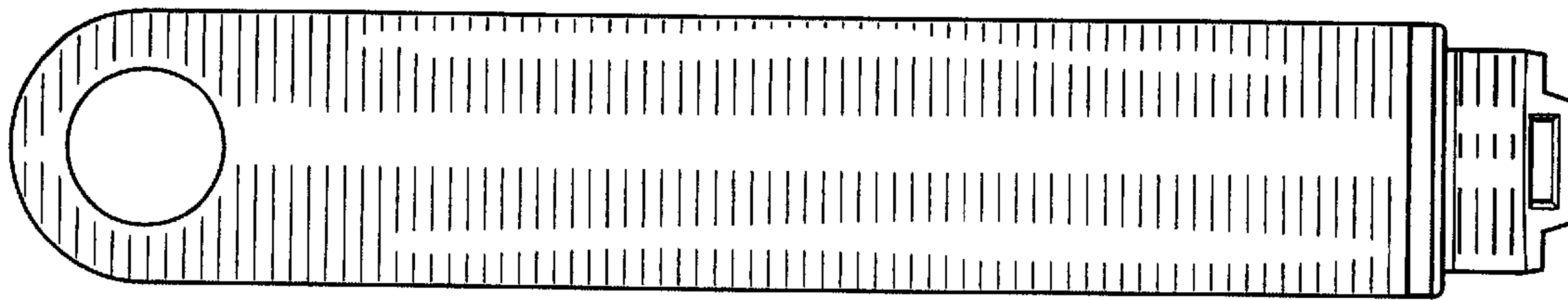


Fig. 5

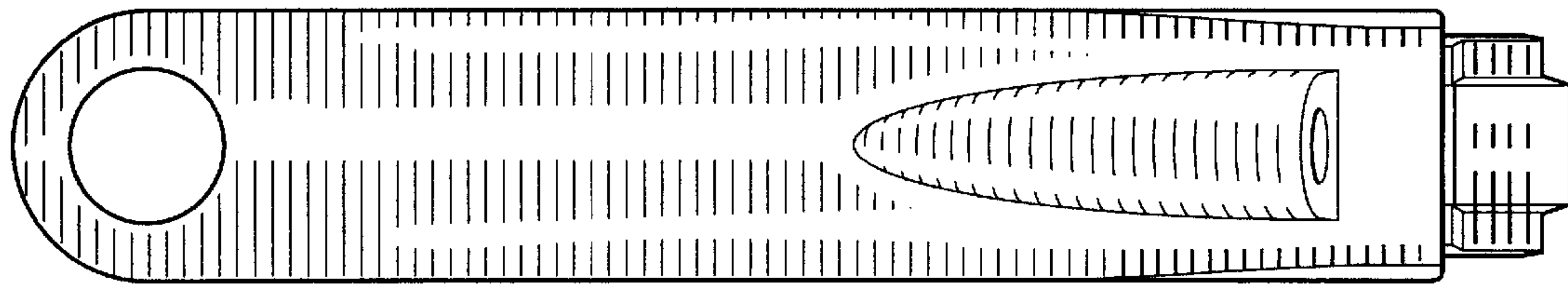


Fig. 6

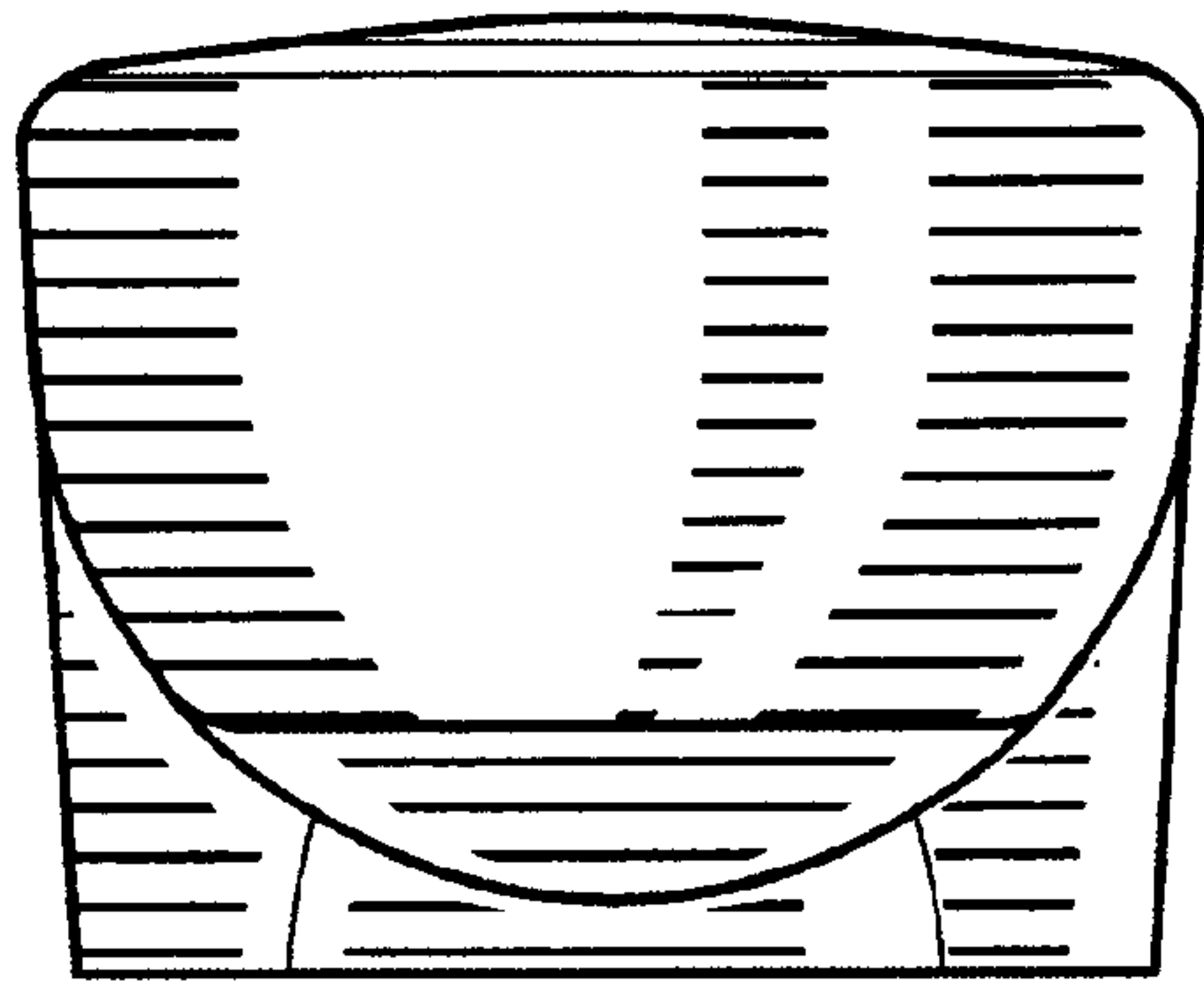


Fig. 7