



US00D528359S

(12) **United States Design Patent**
Laib

(10) **Patent No.:** **US D528,359 S**

(45) **Date of Patent:** **** Sep. 19, 2006**

(54) **COVER FOR A CONTAINER**
(75) Inventor: **Douglas M. Laib**, Orlando, FL (US)
(73) Assignee: **Dart Industries Inc.**, Orlando, FL (US)
(**) Term: **14 Years**

D344,210 S * 2/1994 Cousins et al. D7/538
D350,843 S * 9/1994 VanValkenburg et al. D7/614
D352,423 S 11/1994 Laib
D383,939 S 9/1997 Jeppesen et al.
D412,639 S 8/1999 Demore
D415,385 S * 10/1999 Loew et al. D7/392.1
D468,153 S 1/2003 Seager
D480,264 S * 10/2003 de Groote et al. D7/392.1

(21) Appl. No.: **29/235,533**

* cited by examiner

(22) Filed: **Aug. 3, 2005**

Primary Examiner—Holly Baynham

(51) **LOC (8) Cl.** **07-02**

Assistant Examiner—Cynthia M. Chin

(52) **U.S. Cl.** **D7/392.1**

(74) *Attorney, Agent, or Firm*—John A. Doninger

(58) **Field of Classification Search** D7/317–319,
D7/391–392.1, 396.2, 510–511, 629; D9/435,
D9/440, 444, 447, 449–450, 454, 503–504;
215/211, 200, 224, 243; 220/700, 701, 703,
220/711, 713–715, 719

(57) **CLAIM**

See application file for complete search history.

The ornamental design for a cover for a container, as shown and described.

DESCRIPTION

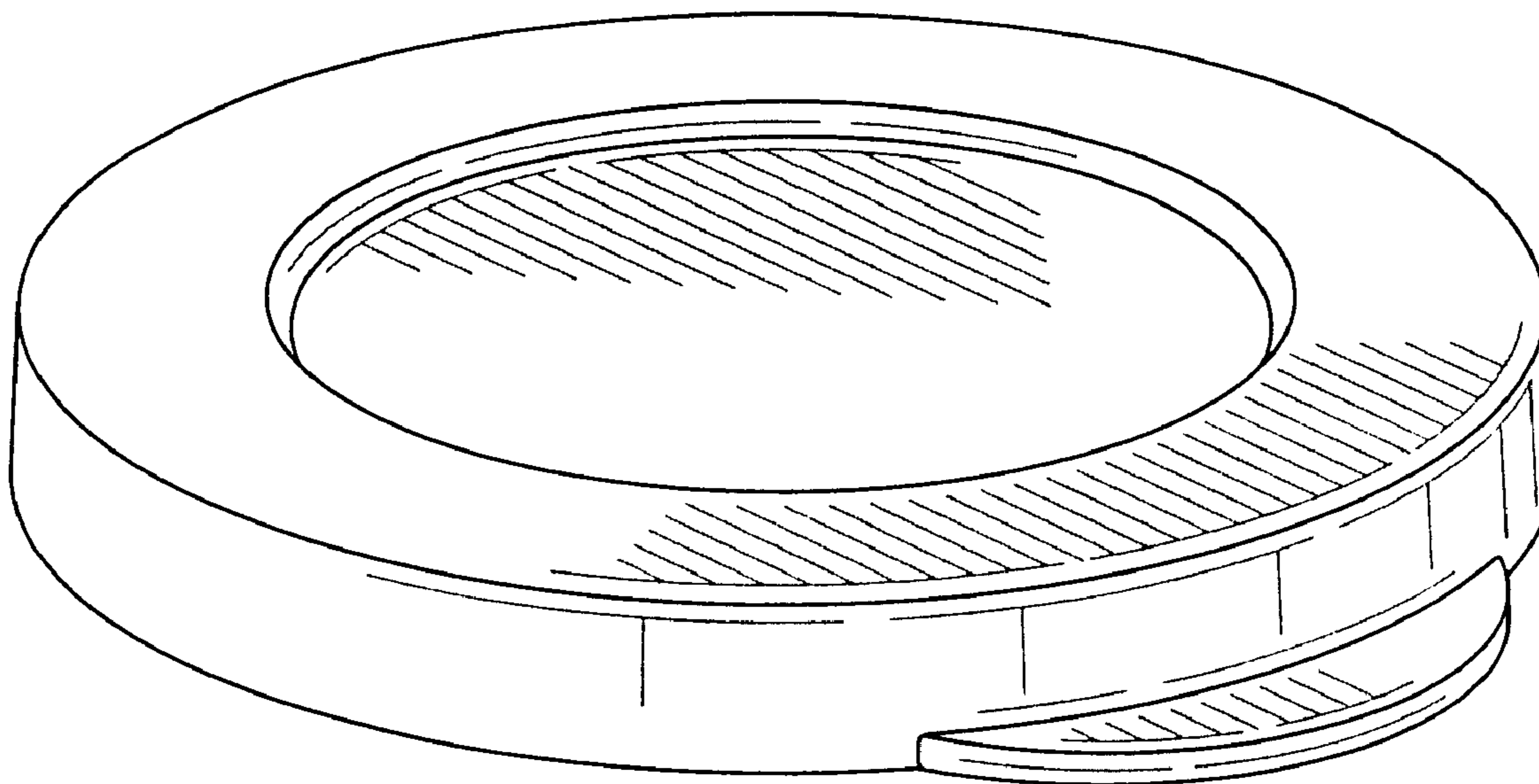
(56) **References Cited**

FIG. 1 is a top, side and front perspective view of a cover for a container showing the new design;
FIG. 2 is a front elevation view, the rear elevation being a mirror image thereof;
FIG. 3 is a right side elevation view, the left side elevation being a mirror image thereof;
FIG. 4 is a top plan view thereof; and,
FIG. 5 is a bottom plan view thereof.

U.S. PATENT DOCUMENTS

D280,484 S * 9/1985 Conti et al. D7/391
D281,758 S * 12/1985 Trombly D7/392.1
4,795,056 A * 1/1989 Meyers 220/788
4,809,868 A 3/1989 Pomroy
D330,311 S 10/1992 Narsutis
D339,958 S * 10/1993 Olsen et al. D7/392.1

1 Claim, 2 Drawing Sheets



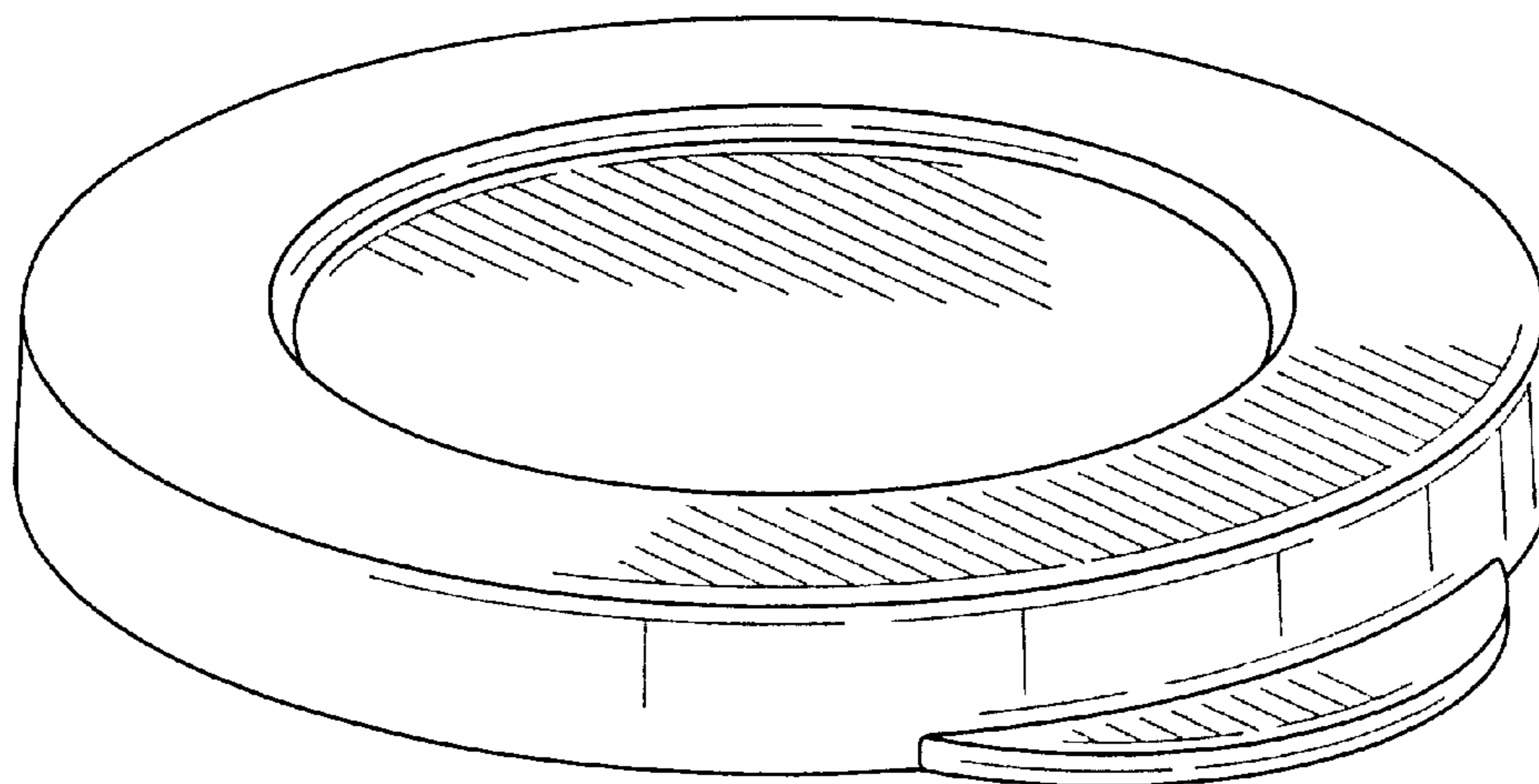


FIG. 1

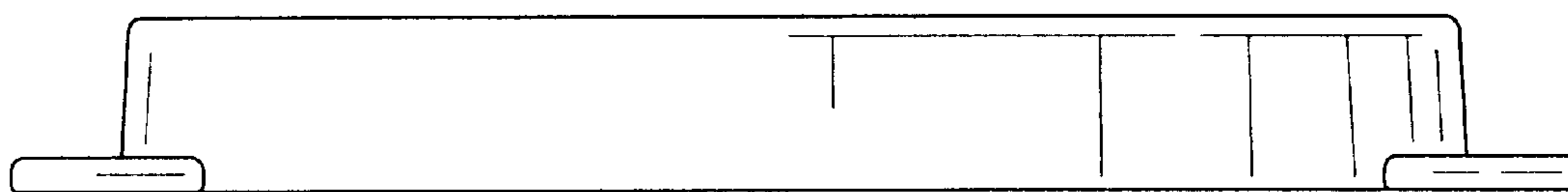


FIG. 2

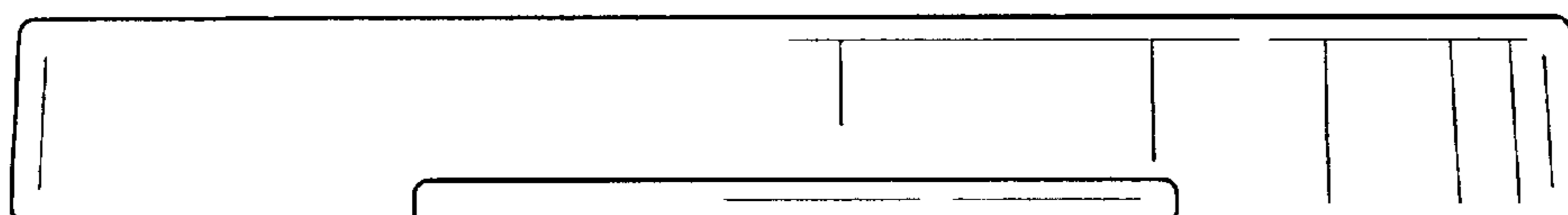


FIG. 3

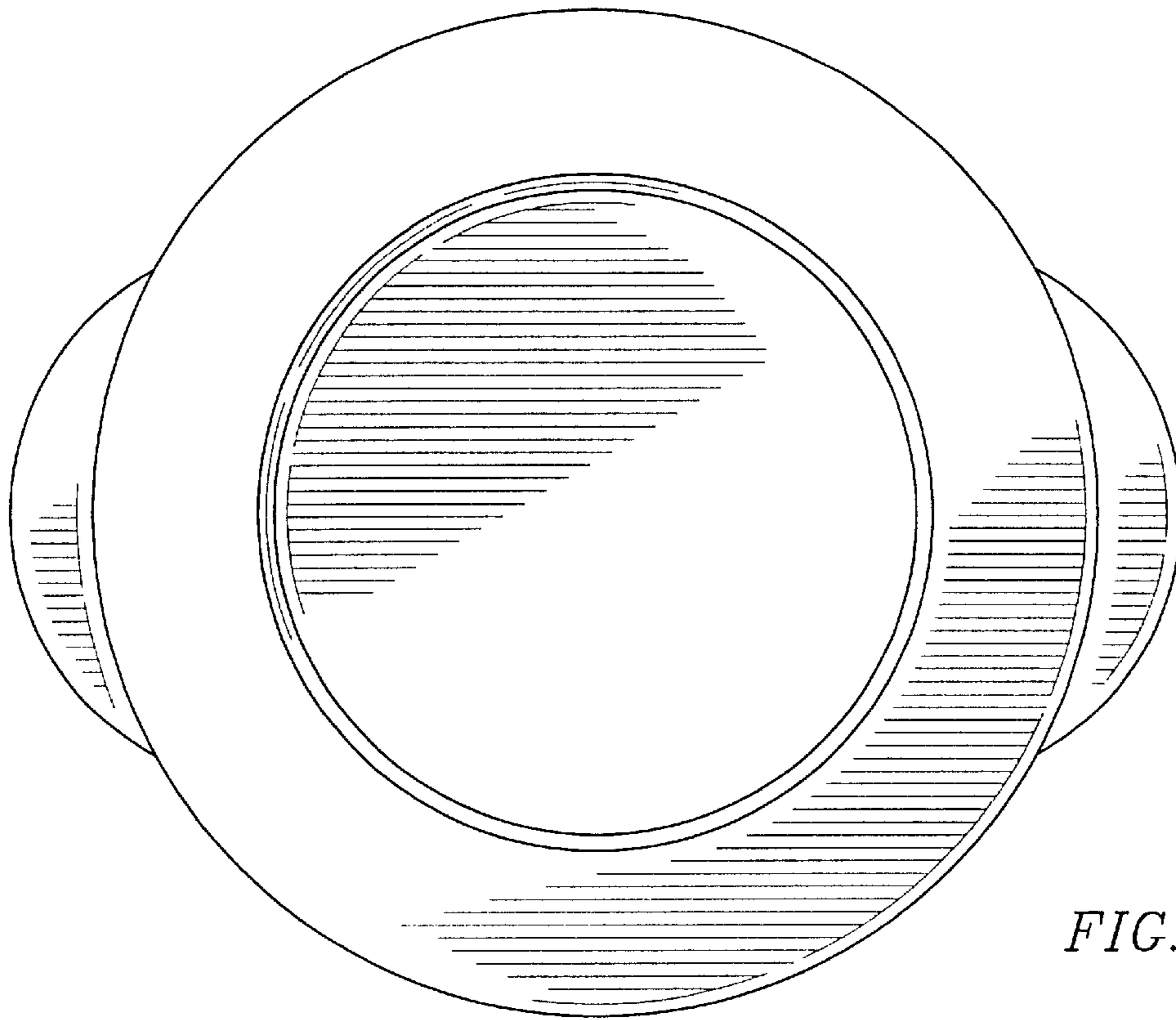


FIG. 4

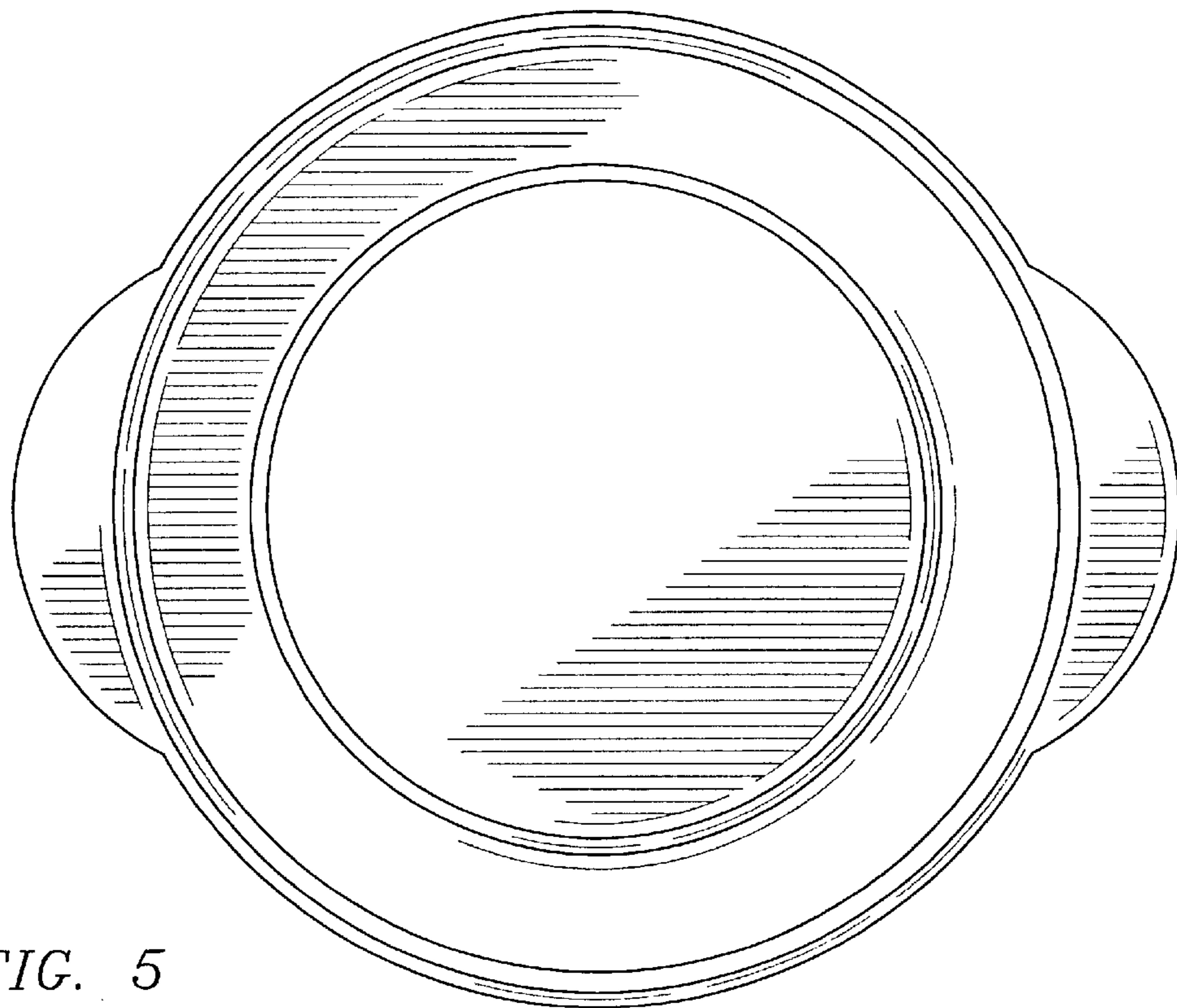


FIG. 5