



US00D528358S

(12) **United States Design Patent**
Snell

(10) **Patent No.:** **US D528,358 S**

(45) **Date of Patent:** **** Sep. 19, 2006**

(54) **CANISTER**

(75) **Inventor:** **Russell Benton Snell**, Bentleyville, OH (US)

(73) **Assignee:** **InterDesign, Inc.**, Solon, OH (US)

(**) **Term:** **14 Years**

(21) **Appl. No.:** **29/231,257**

(22) **Filed:** **Jun. 2, 2005**

(51) **LOC (8) Cl.** **07-02**

(52) **U.S. Cl.** **D7/392.1**

(58) **Field of Classification Search** D7/317-319,
D7/391-392.1, 396.2, 510-511, 629; D9/435,
D9/440, 444, 447, 449-450, 454, 503-504;
215/211, 200, 224, 243; 220/700, 701, 703,
220/711, 713-715, 719

See application file for complete search history.

(56) **References Cited**

U.S. PATENT DOCUMENTS

D7,551 S	*	7/1874	Bennett	D7/507
D160,771 S	*	11/1950	Cowan	D7/392.1
D235,090 S	*	5/1975	Achenbach	D7/391
D235,187 S	*	5/1975	Achenbach	D7/391
D237,855 S	*	12/1975	Achenback	D7/615
D246,088 S	*	10/1977	Tegner	D7/391
D292,159 S	*	10/1987	Thrush	D7/392.1
D329,962 S	*	10/1992	Hestehave et al.	D7/612
D337,236 S	*	7/1993	Sambinelli	D7/317
D343,759 S	*	2/1994	Jorgensen	D7/318

D378,261 S	*	3/1997	Jorgensen	D7/319
D381,238 S	*	7/1997	Joergensen	D7/319
D382,764 S	*	8/1997	Brady	D7/317
D405,641 S	*	2/1999	Brady	D7/319
D413,484 S	*	9/1999	Joergensen	D7/392
D414,984 S	*	10/1999	Joergensen	D7/392
D420,251 S	*	2/2000	Brady	D7/392.1
D431,754 S	*	10/2000	Thuma	D7/603
D457,383 S	*	5/2002	Brady	D7/392
D470,364 S		2/2003	Dretzka		
D473,466 S	*	4/2003	Biesecker	D9/503
D493,053 S		7/2004	Snell		

* cited by examiner

Primary Examiner—Holly Baynham

Assistant Examiner—Cynthia M. Chin

(74) *Attorney, Agent, or Firm*—D. Peter Hochberg; Sean Mellino; Katherine R. Vieyra

(57) **CLAIM**

The ornamental design for a canister, as shown and described.

DESCRIPTION

FIG. 1 is a perspective view of the canister according to the invention;

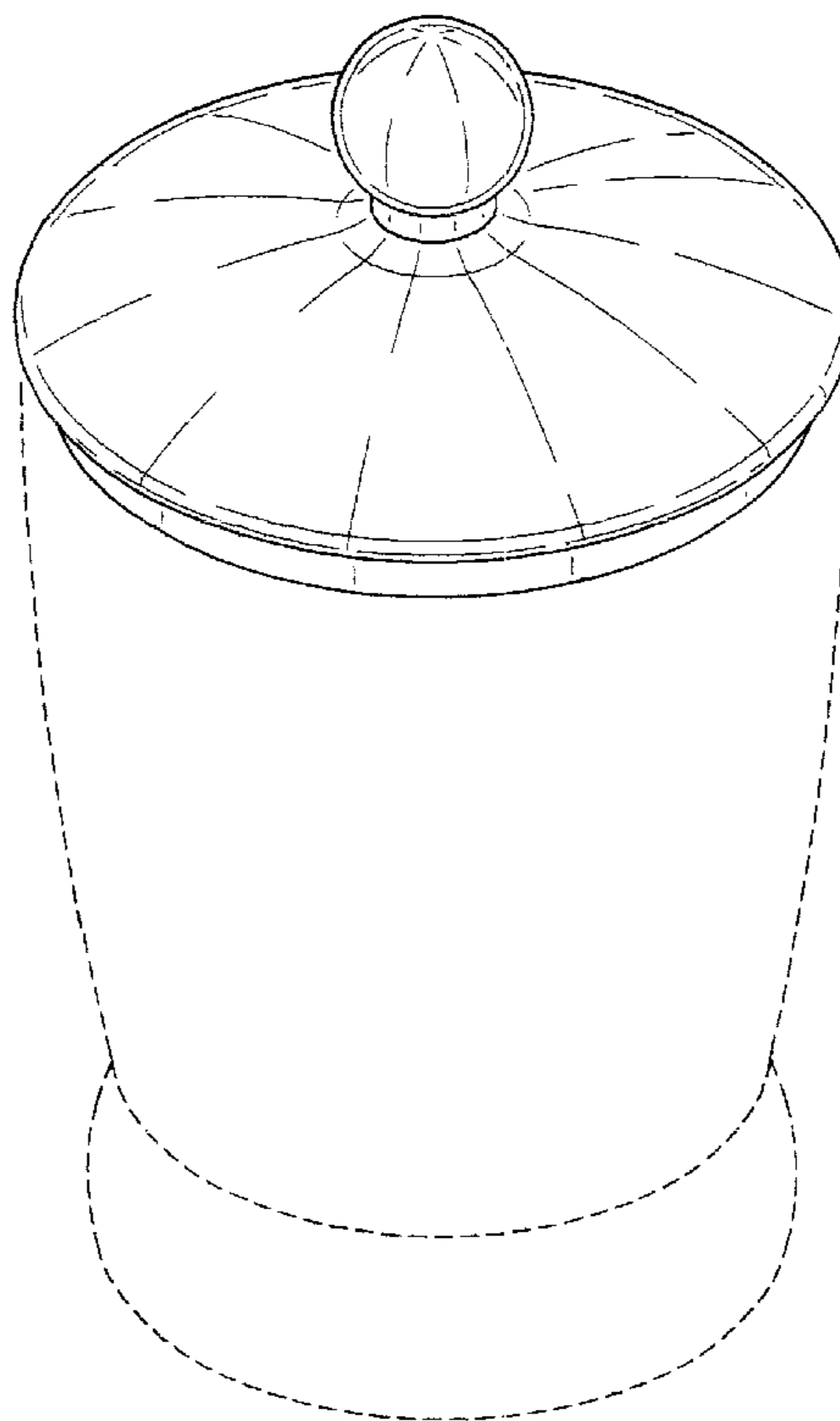
FIG. 2 is a side view of the canister as shown in FIG. 1;

FIG. 3 is a top view of the canister as shown in FIG. 1; and,

FIG. 4 is a bottom view of the canister as shown in FIG. 1.

The broken lines are for illustrative purposes only and form no part of the claimed design.

1 Claim, 1 Drawing Sheet



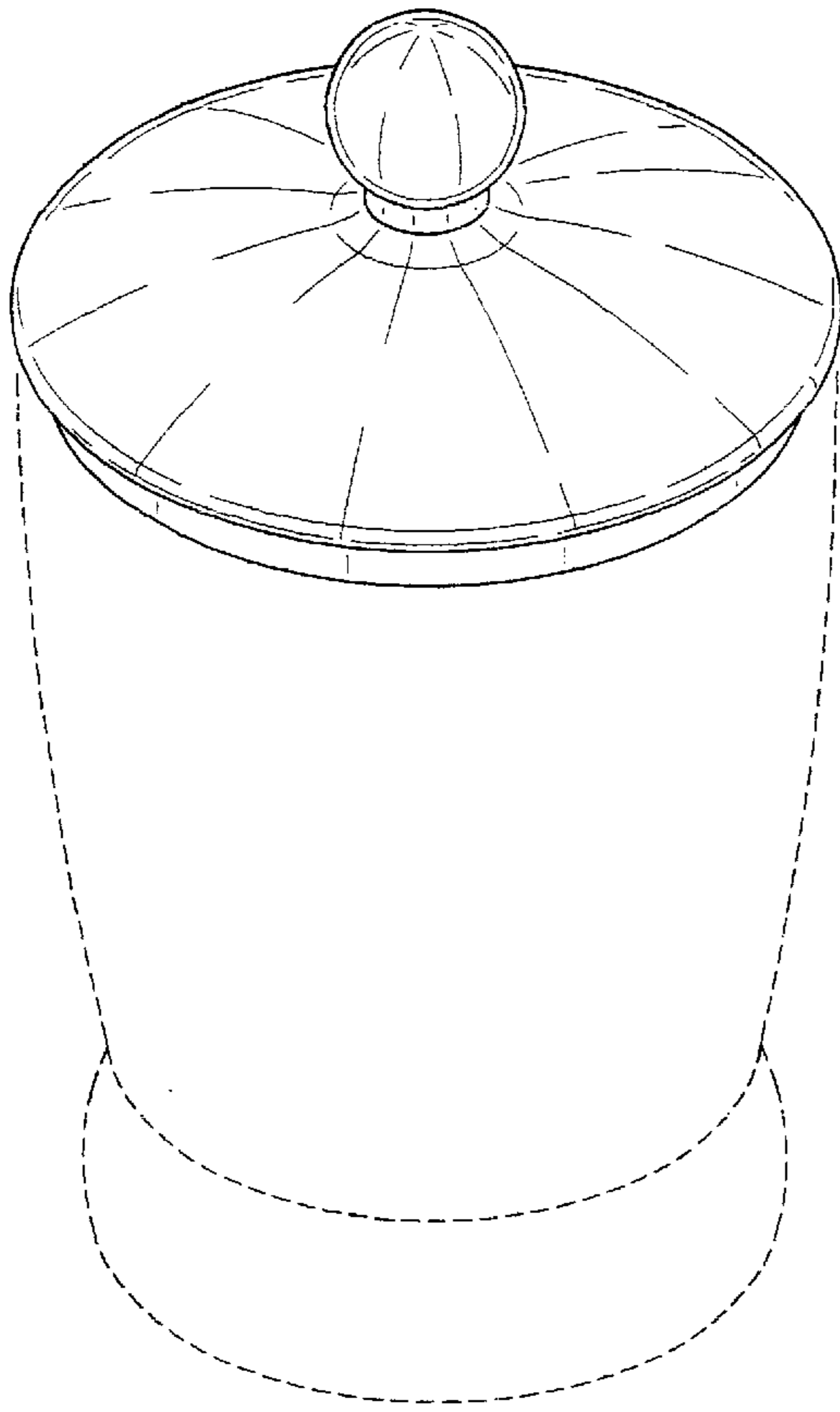


FIG-1

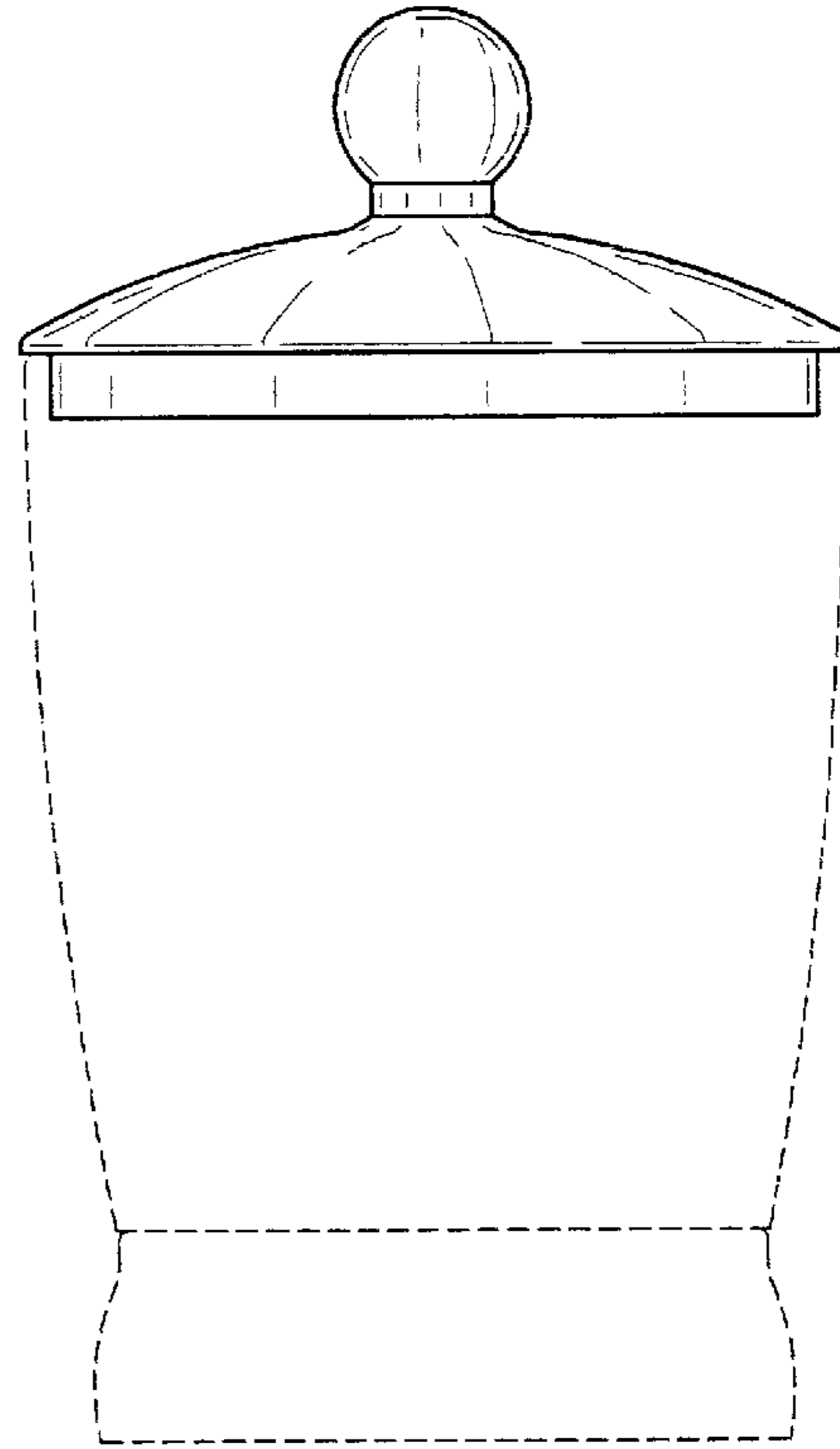


FIG-2

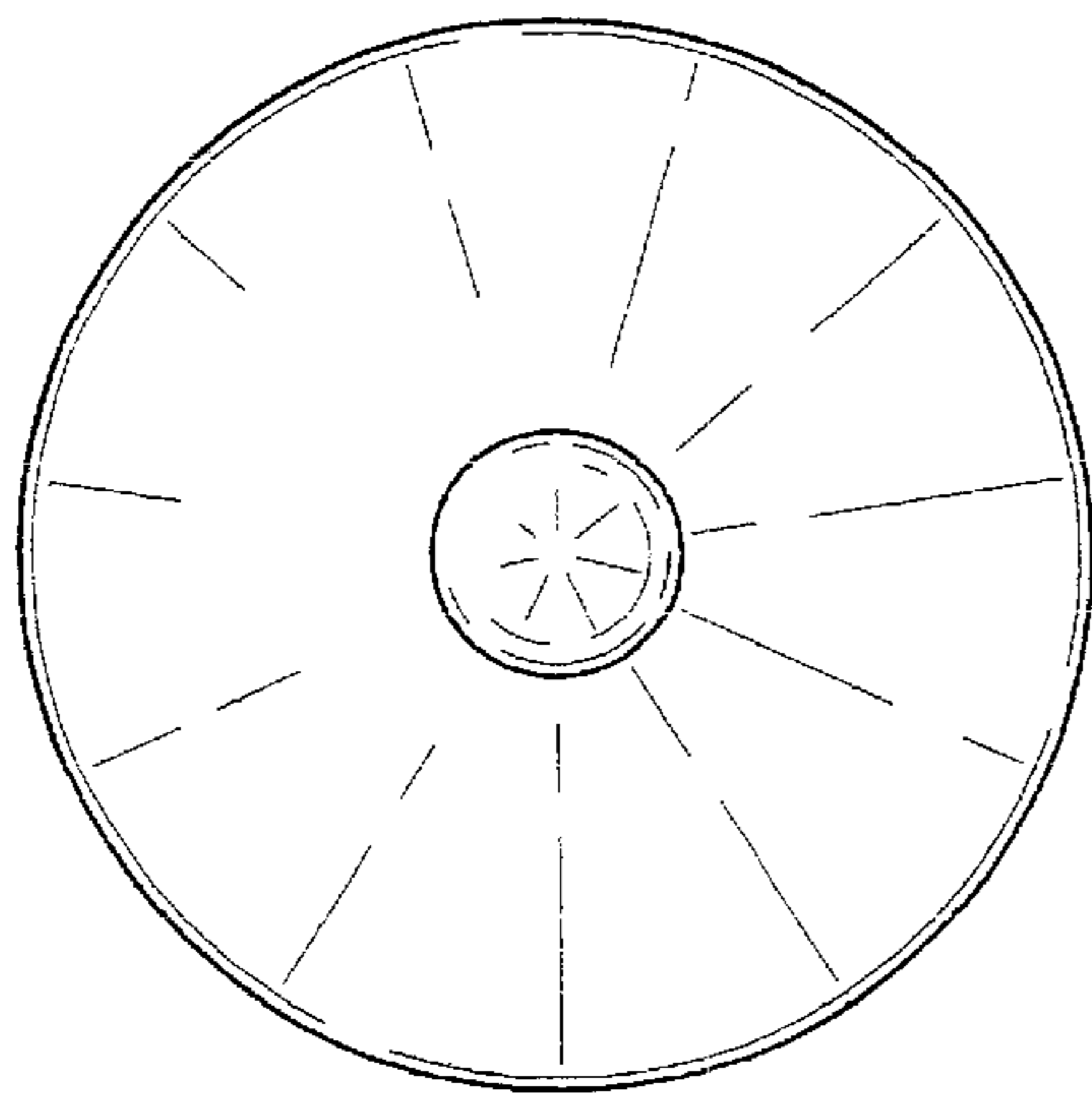


FIG-3

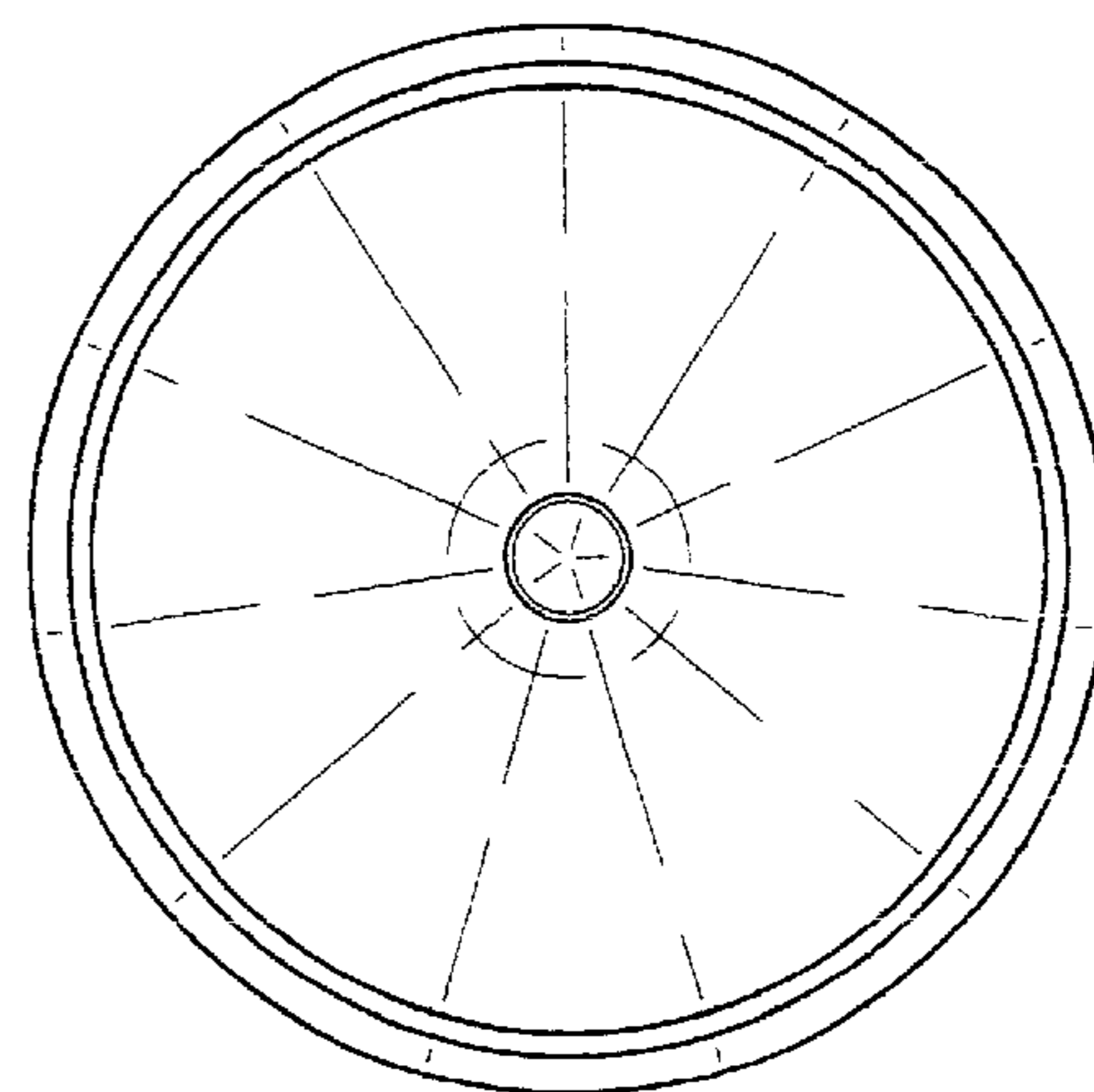


FIG-4