



US00D528357S

(12) **United States Design Patent**  
**Hsu**

(10) **Patent No.:** **US D528,357 S**

(45) **Date of Patent:** **\*\* Sep. 19, 2006**

(54) **COVER FOR CONTAINER**

(75) Inventor: **Mu-Chuan Hsu**, Taipei (TW)

(73) Assignee: **L&F Plastics Co., Ltd.**, Taipei (TW)

(\*\*) Term: **14 Years**

(21) Appl. No.: **29/216,397**

(22) Filed: **Nov. 2, 2004**

(30) **Foreign Application Priority Data**

May 17, 2004 (TW) ..... 93302878

(51) **LOC (8) Cl.** ..... **07-02**

(52) **U.S. Cl.** ..... **D7/392.1**

(58) **Field of Classification Search** ..... D7/317-319,  
D7/391-392.1, 396.2, 510-511, 629; D9/435,  
D9/440, 444, 447, 449-450, 454, 503-504;  
215/211, 200, 224, 243; 220/700, 701, 703,  
220/711, 713-715, 719

See application file for complete search history.

(56) **References Cited**

**U.S. PATENT DOCUMENTS**

D369,282 S \* 4/1996 Arduini ..... D7/629

D375,654 S \* 11/1996 Ferris ..... D7/392.1

D452,374 S \* 12/2001 Kim ..... D3/302

D455,321 S \* 4/2002 Jung et al. .... D7/629

D481,910 S \* 11/2003 Kim ..... D7/629

D483,622 S \* 12/2003 Kim ..... D7/629

D500,227 S \* 12/2004 Seok ..... D7/392.1

D516,376 S \* 3/2006 Kim ..... D7/392.1

\* cited by examiner

*Primary Examiner*—Holly Baynham

*Assistant Examiner*—Cynthia M. Chin

(74) *Attorney, Agent, or Firm*—Alan D. Kamrath; Nikolai & Mersereau, P.A.

(57) **CLAIM**

The ornamental design for a cover for container, as shown and described.

**DESCRIPTION**

FIG. 1 is a perspective view of a cover for container showing my new design;

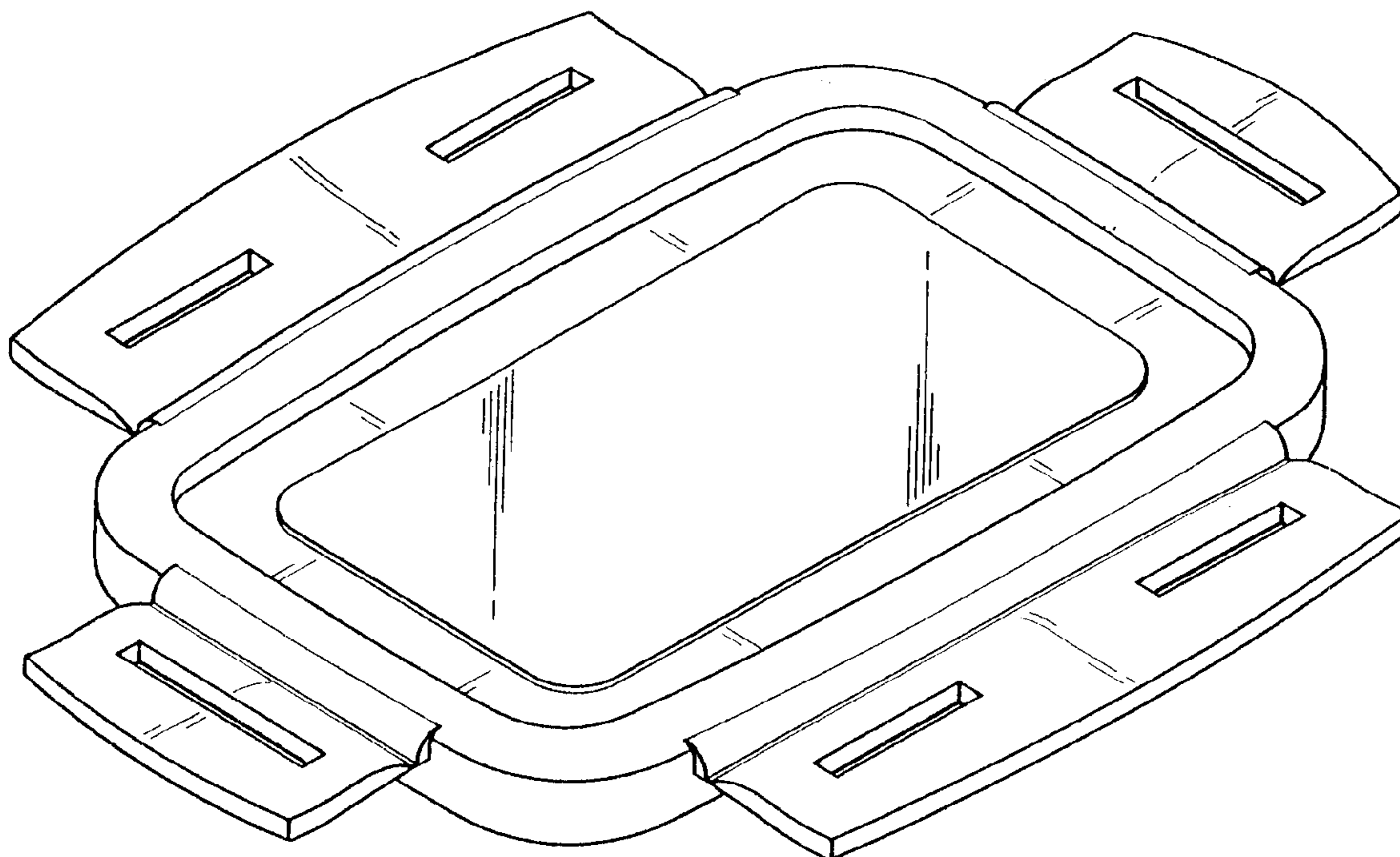
FIG. 2 is a front side elevational view thereof, a rear side elevational view being a mirror image thereof;

FIG. 3 is a left side elevational view thereof, a right side elevational view being a mirror image thereof;

FIG. 4 is a top plan view thereof; and,

FIG. 5 is a bottom plan view thereof.

**1 Claim, 3 Drawing Sheets**



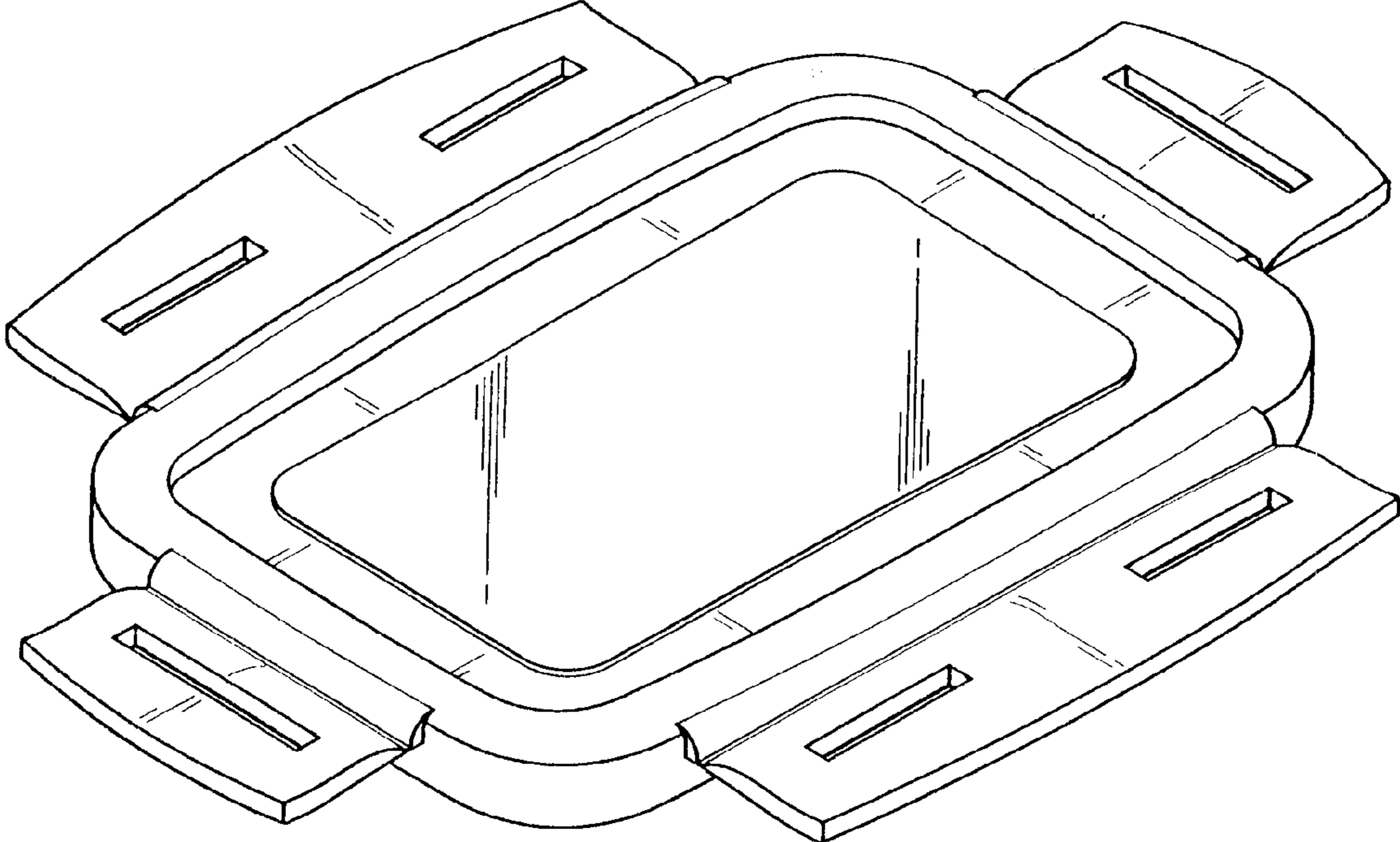


FIG. 1

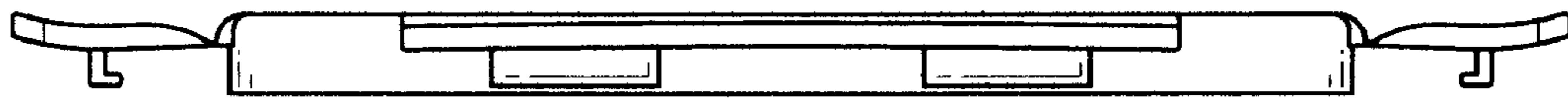


FIG. 2

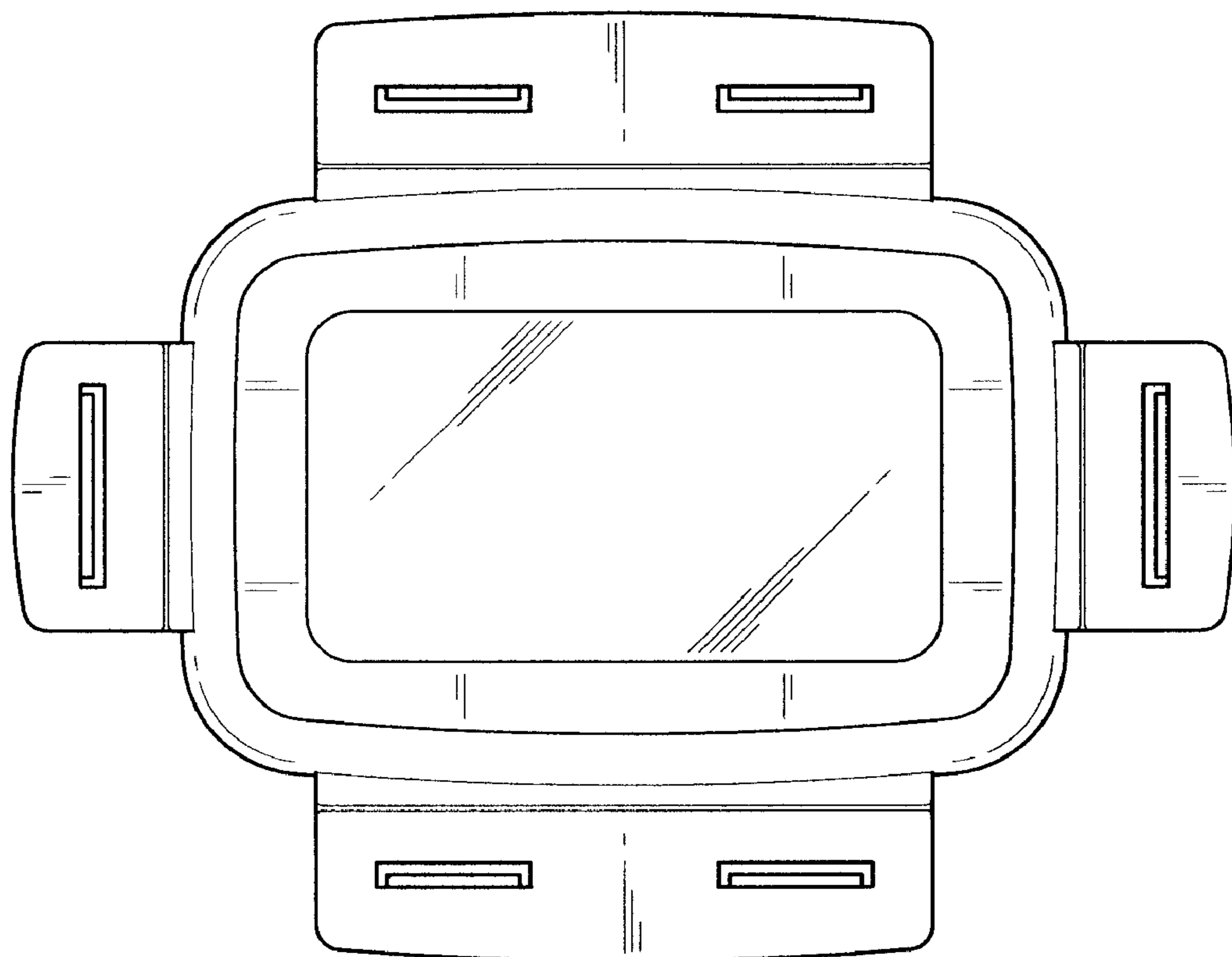


FIG. 4

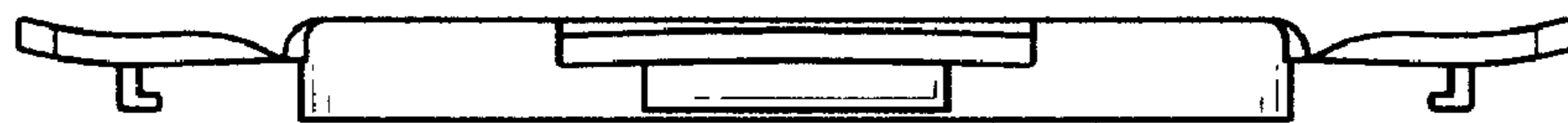


FIG. 3

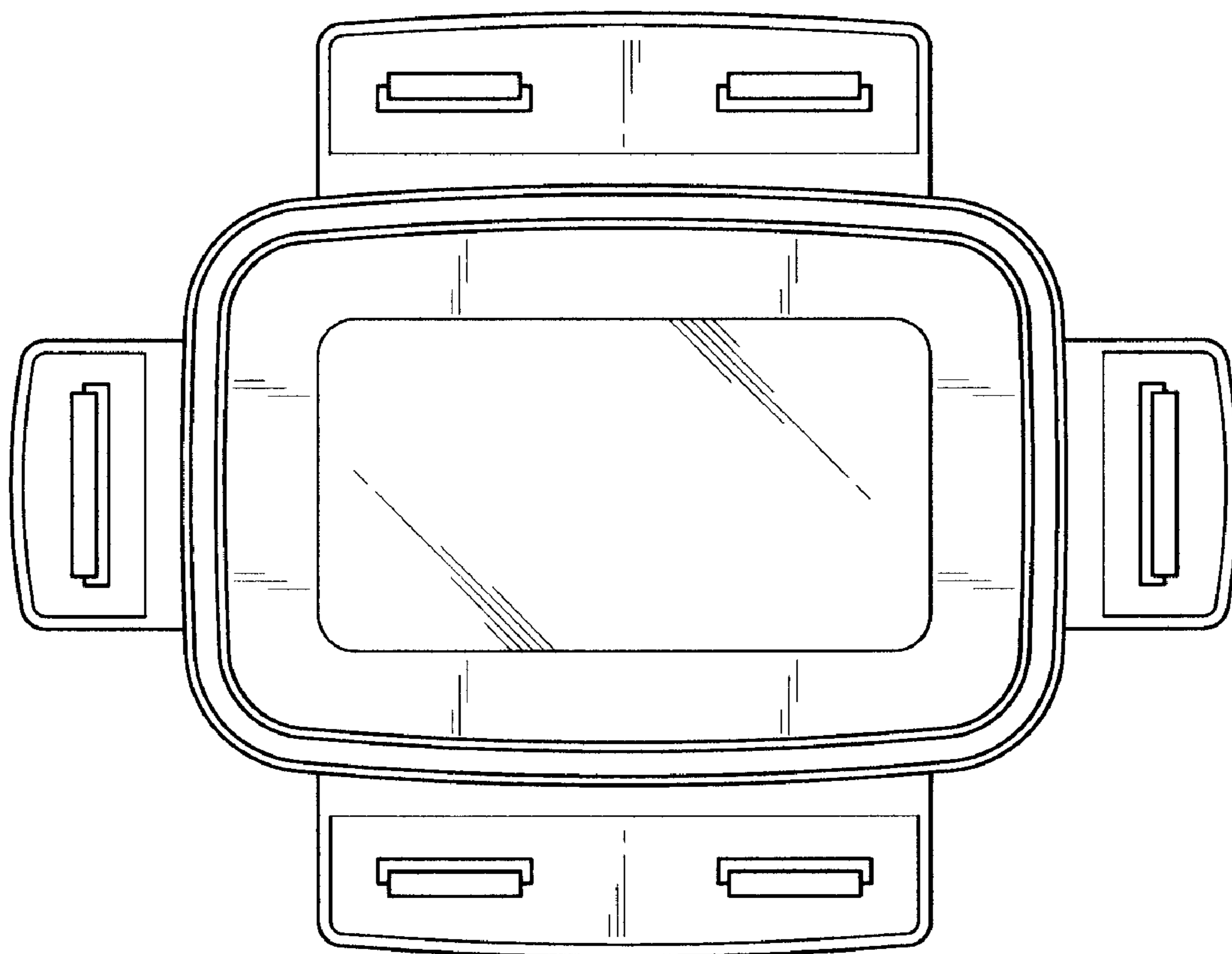


FIG. 5