

US00D528356S

(12) **United States Design Patent**
Upah et al.

(10) **Patent No.:** **US D528,356 S**

(45) **Date of Patent:** **** Sep. 19, 2006**

(54) **APPARATUS FOR MAKING, STORING AND DISPENSING SHAVED OR CRUSHED ICE**

(76) Inventors: **Tad D. Upah**, 607 Reynolds Rd., Marshalltown, IA (US) 50158; **Kevin Kinch**, 742 N E. 8th St., Ankeny, IA (US) 50021

(**) **Term:** **14 Years**

(21) **Appl. No.:** **29/223,310**

(22) **Filed:** **Feb. 11, 2005**

(51) **LOC (8) Cl.** **31-00**

(52) **U.S. Cl.** **D7/374**

(58) **Field of Classification Search** D7/374,
D7/372-376, 384, 309-310; 241/100, 249;
99/304, 306, 268, 586; D9/640
See application file for complete search history.

(56) **References Cited**

U.S. PATENT DOCUMENTS

D195,312 S	*	5/1963	McCollum	D9/640
D463,951 S	*	10/2002	Wade	D7/374
D469,302 S	*	1/2003	Li	D7/374
D483,985 S	*	12/2003	Huang	D7/374

* cited by examiner

Primary Examiner—Catherine R. Oliver
(74) *Attorney, Agent, or Firm*—McKee, Voorhees & Sease, P.L.C.

(57) **CLAIM**

We claim the ornamental design for an apparatus for making, storing and dispensing shaved or crushed ice, substantially as shown and described.

DESCRIPTION

FIG. 1 is a perspective view of a first embodiment of an apparatus for making, storing and dispensing shaved or crushed ice;

FIG. 2 is a front elevation view thereof;

FIG. 3 is a top plan view thereof;

FIG. 4 is a left side elevation view thereof;

FIG. 5 is a bottom plan view thereof;

FIG. 6 is a right side elevation view thereof;

FIG. 7 is a rear elevation view thereof;

FIG. 8 is a perspective view of a second embodiment;

FIG. 9 is a front elevation view thereof;

FIG. 10 is a top plan view thereof;

FIG. 11 is a left side view thereof;

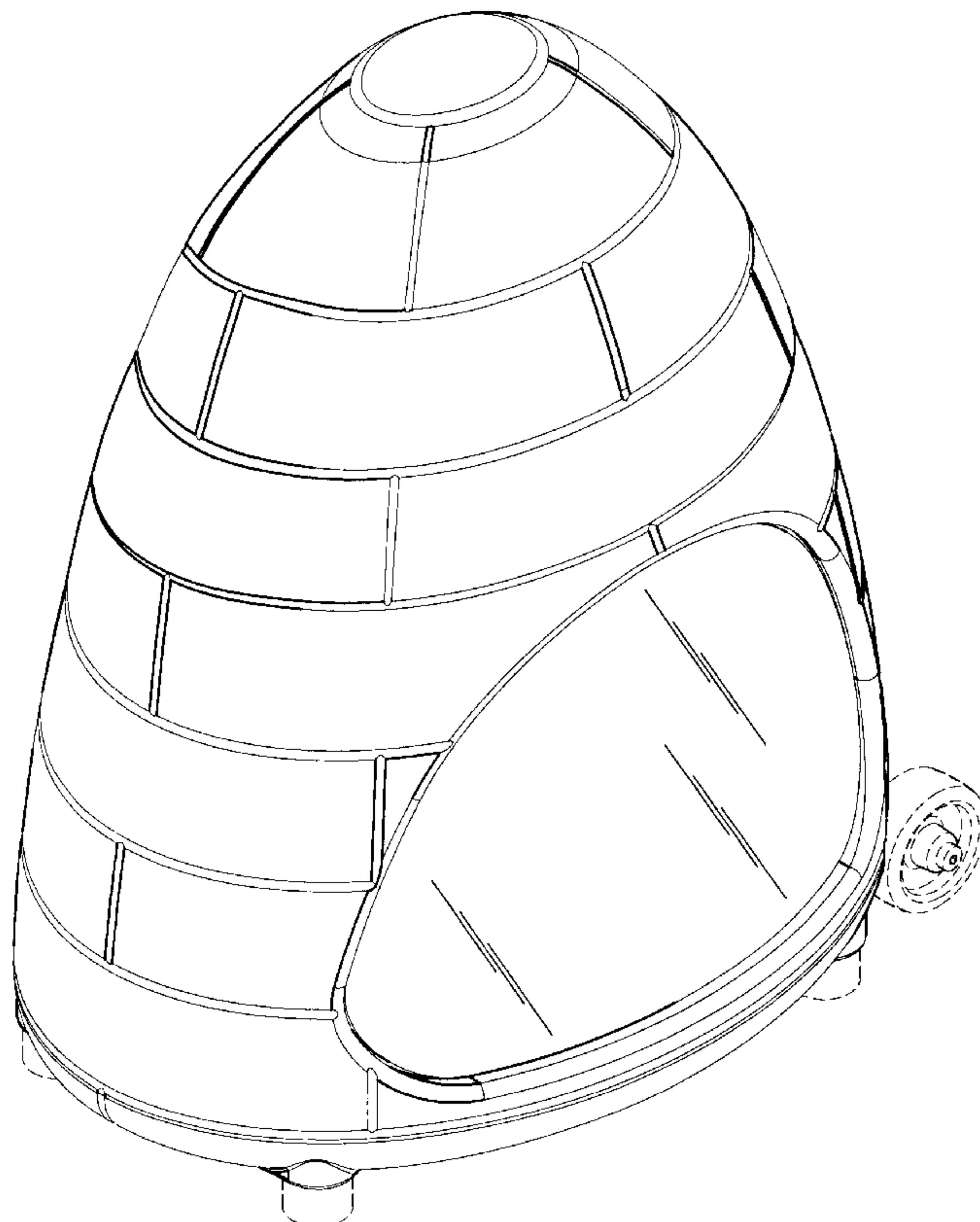
FIG. 12 is a bottom plan view thereof;

FIG. 13 is a right side elevation view thereof; and,

FIG. 14 is a rear elevation view.

In all the drawings, structure shown in ghost lines illustrate exemplary functional or optional structure and do not form a part of the claimed invention.

1 Claim, 14 Drawing Sheets



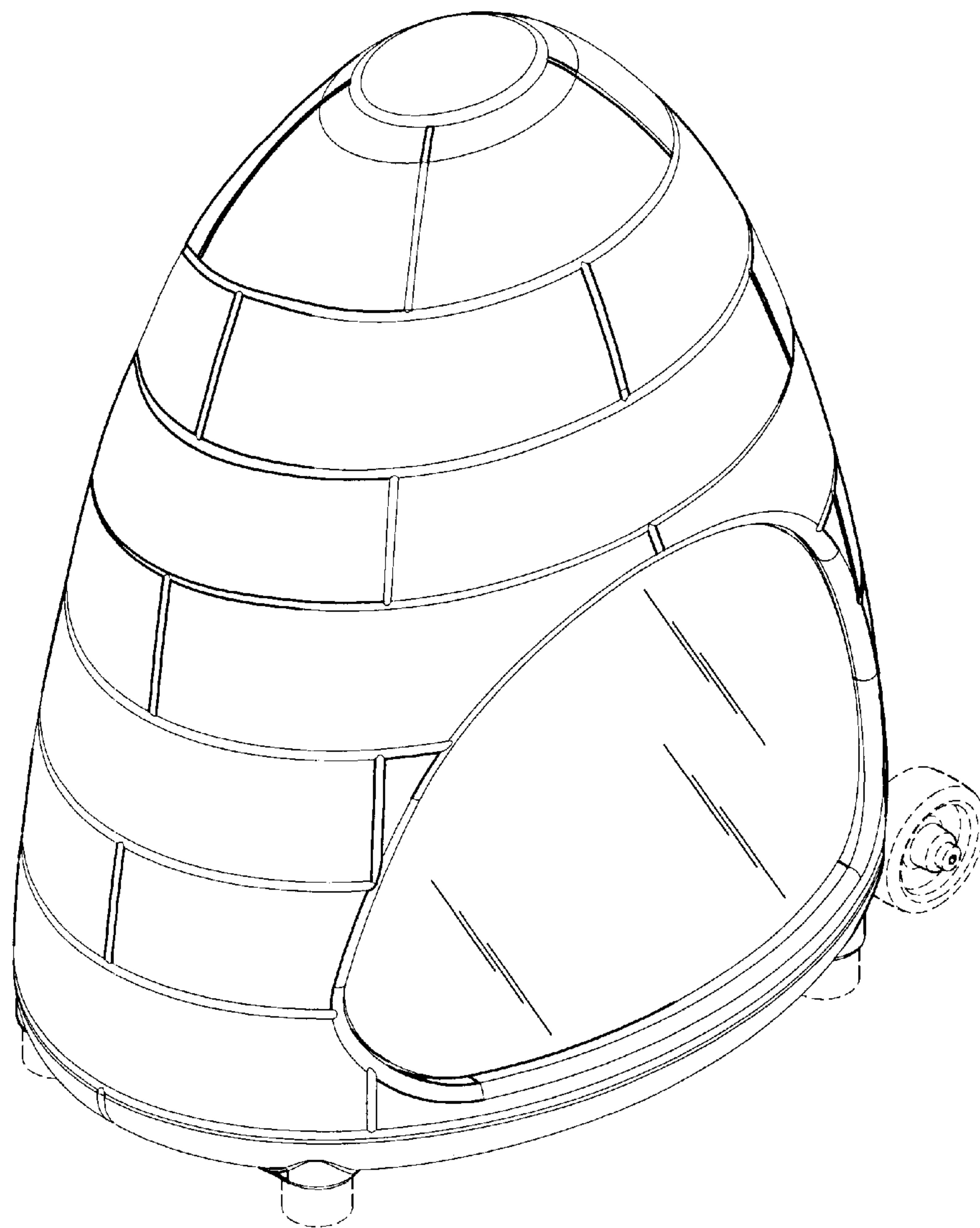


Fig. 1

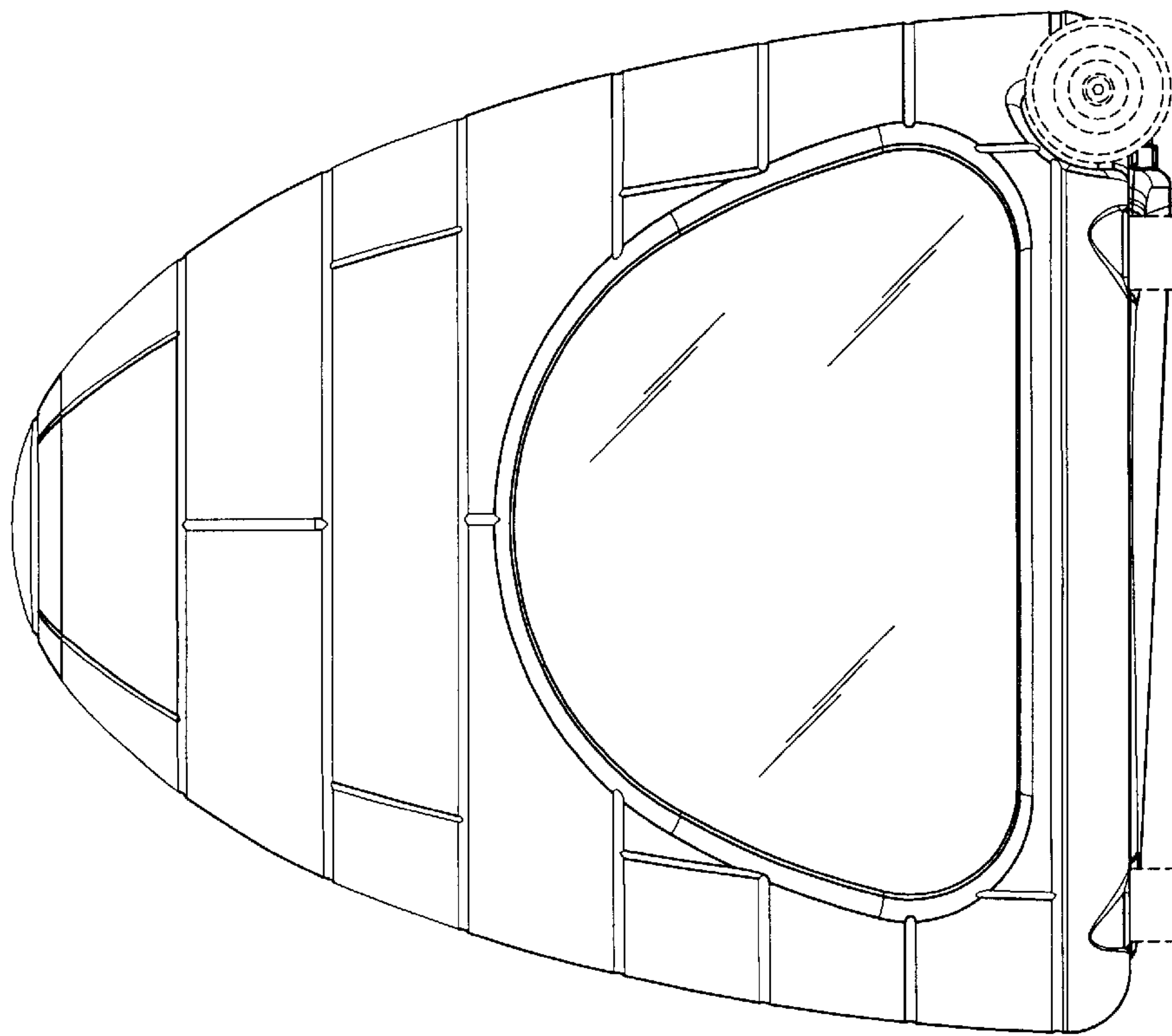


Fig. 2

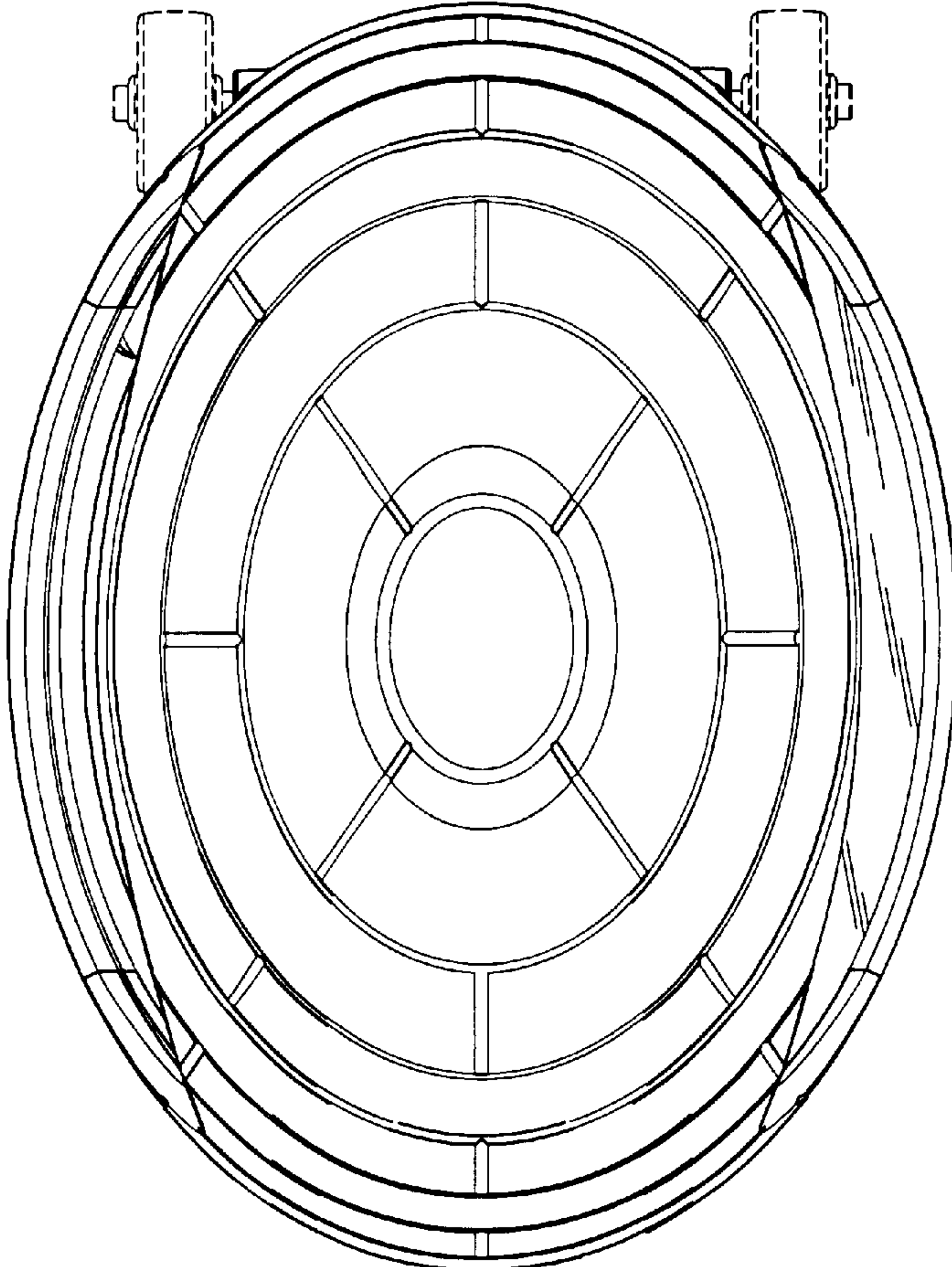


Fig. 3

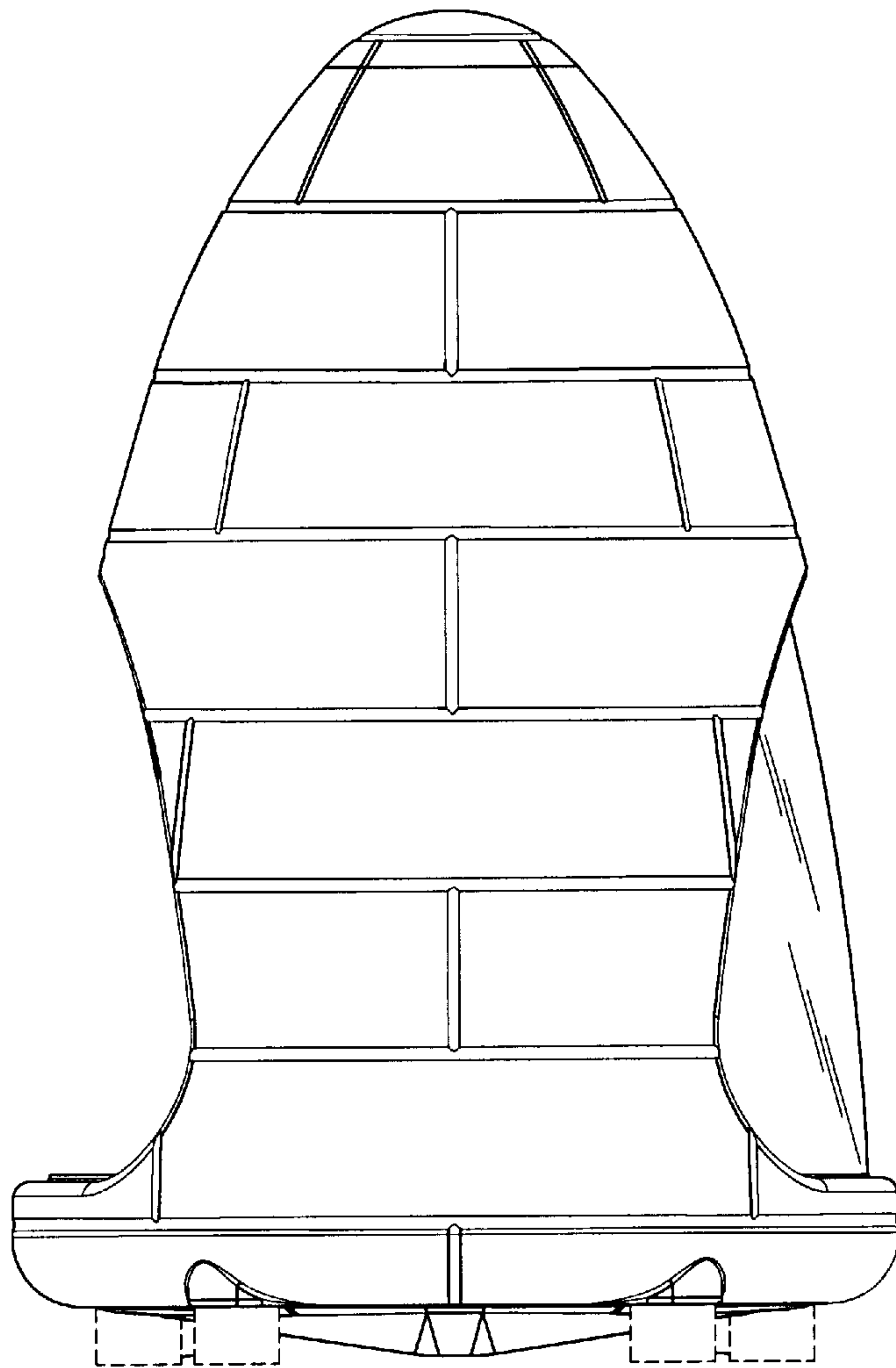


Fig. 4

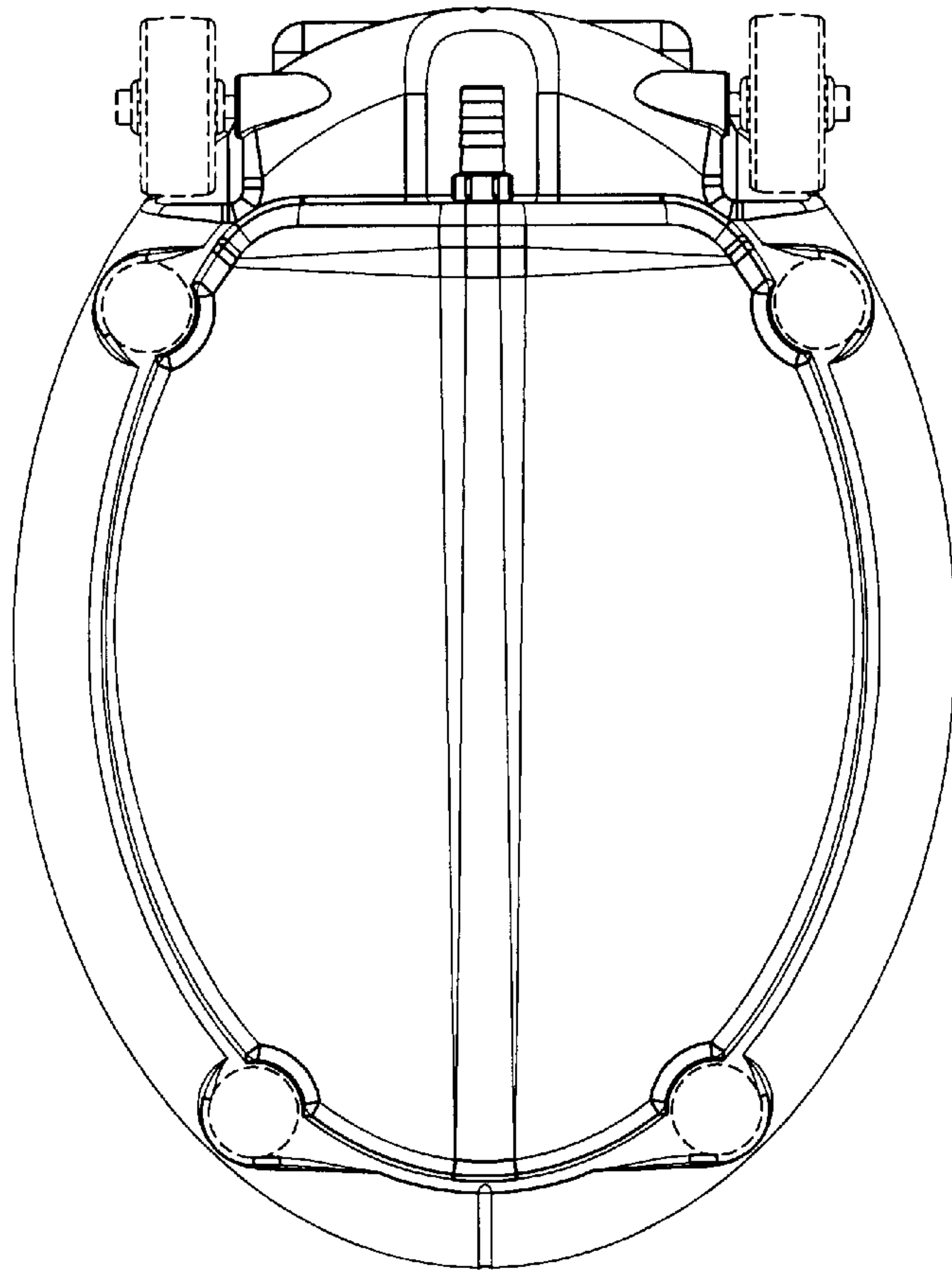


Fig. 5

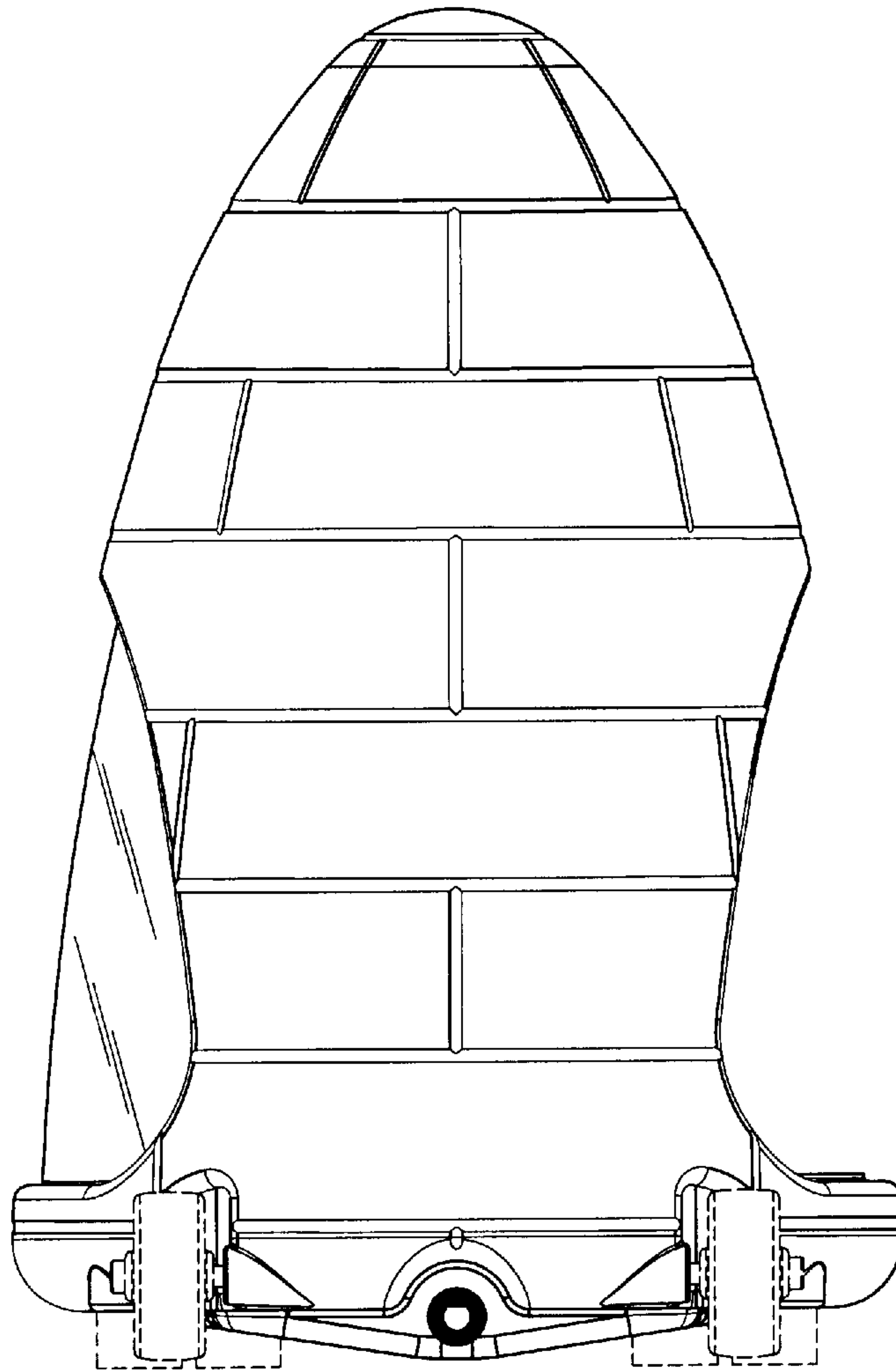


Fig. 6

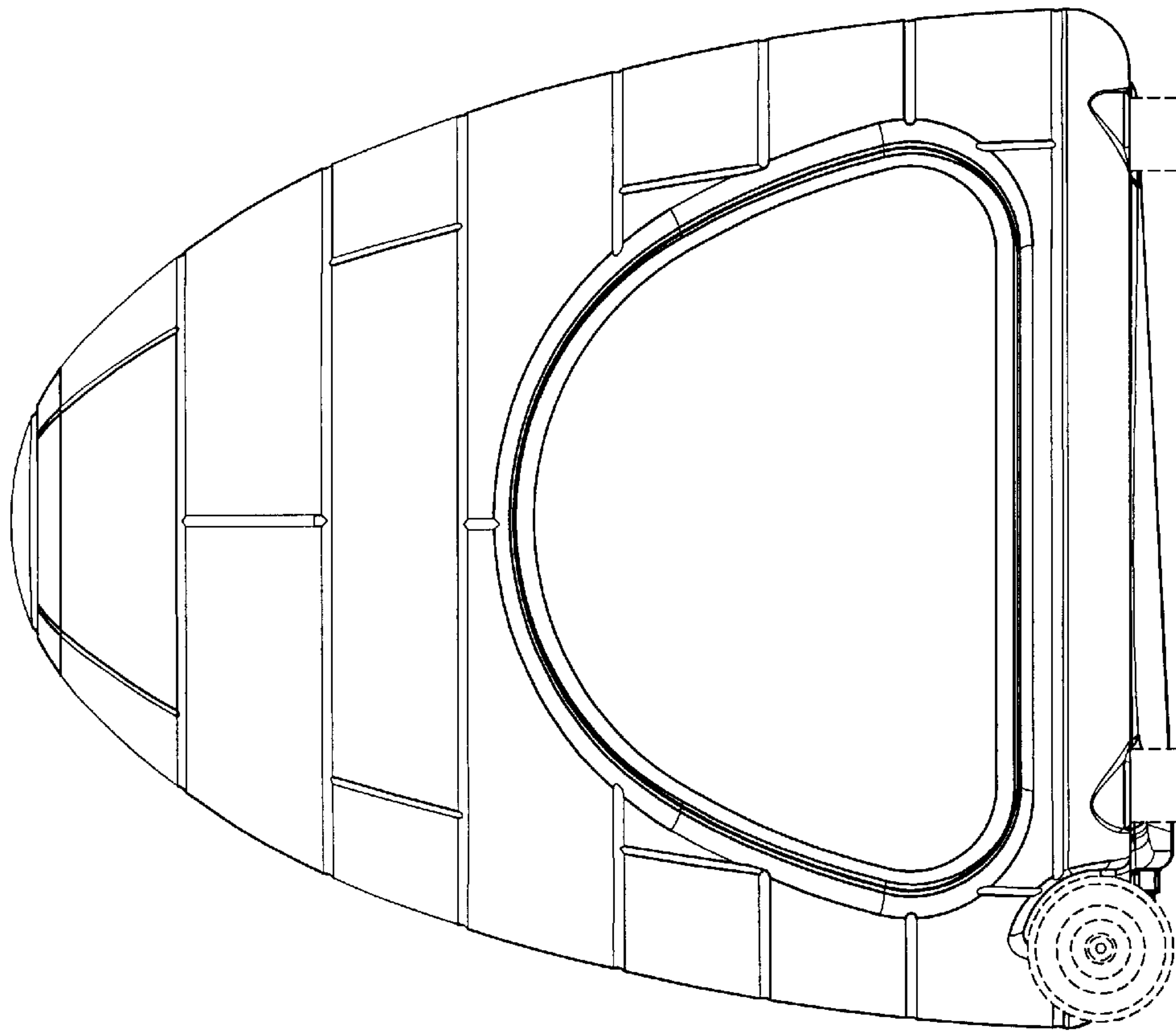


Fig. 7

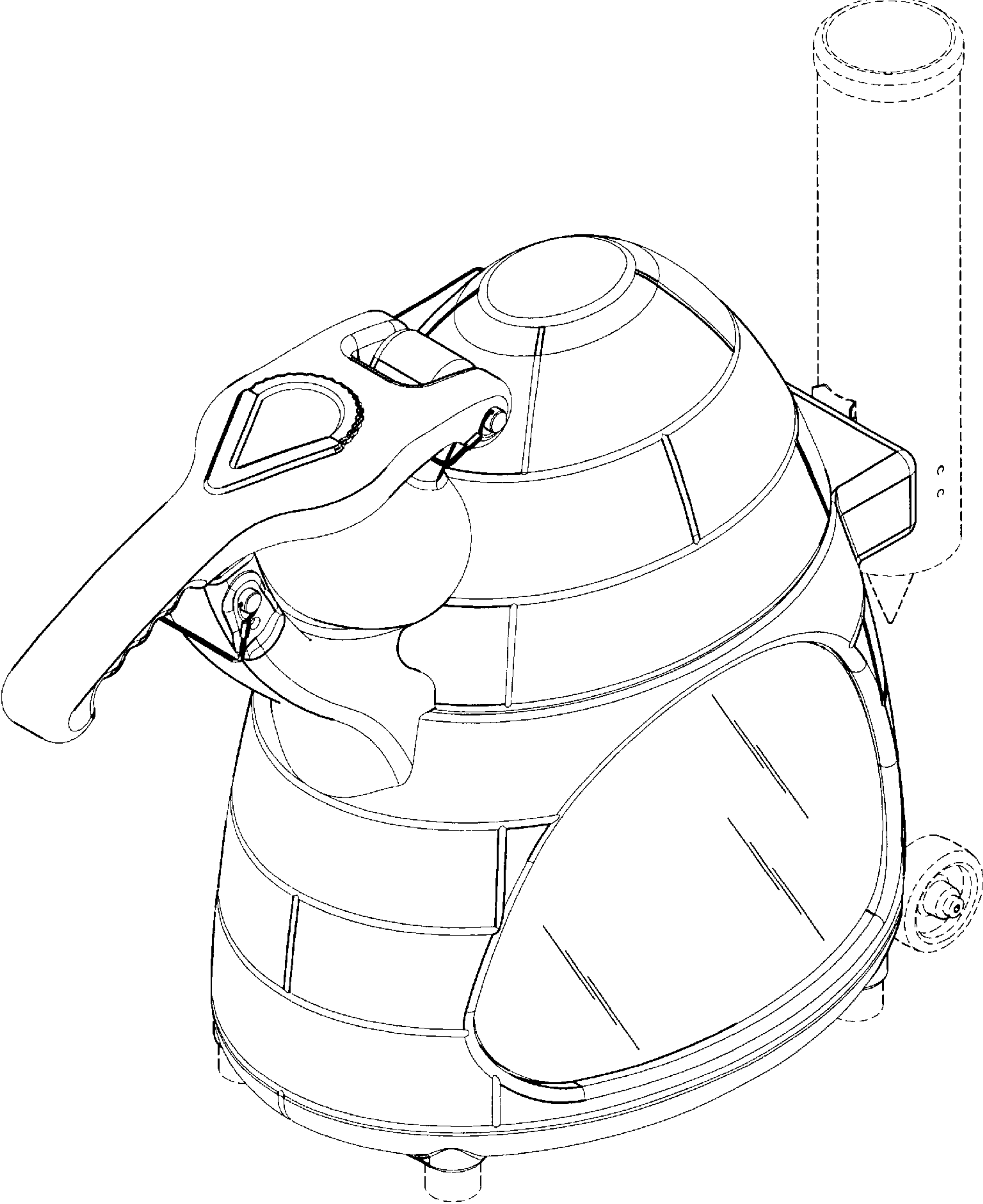


Fig. 8

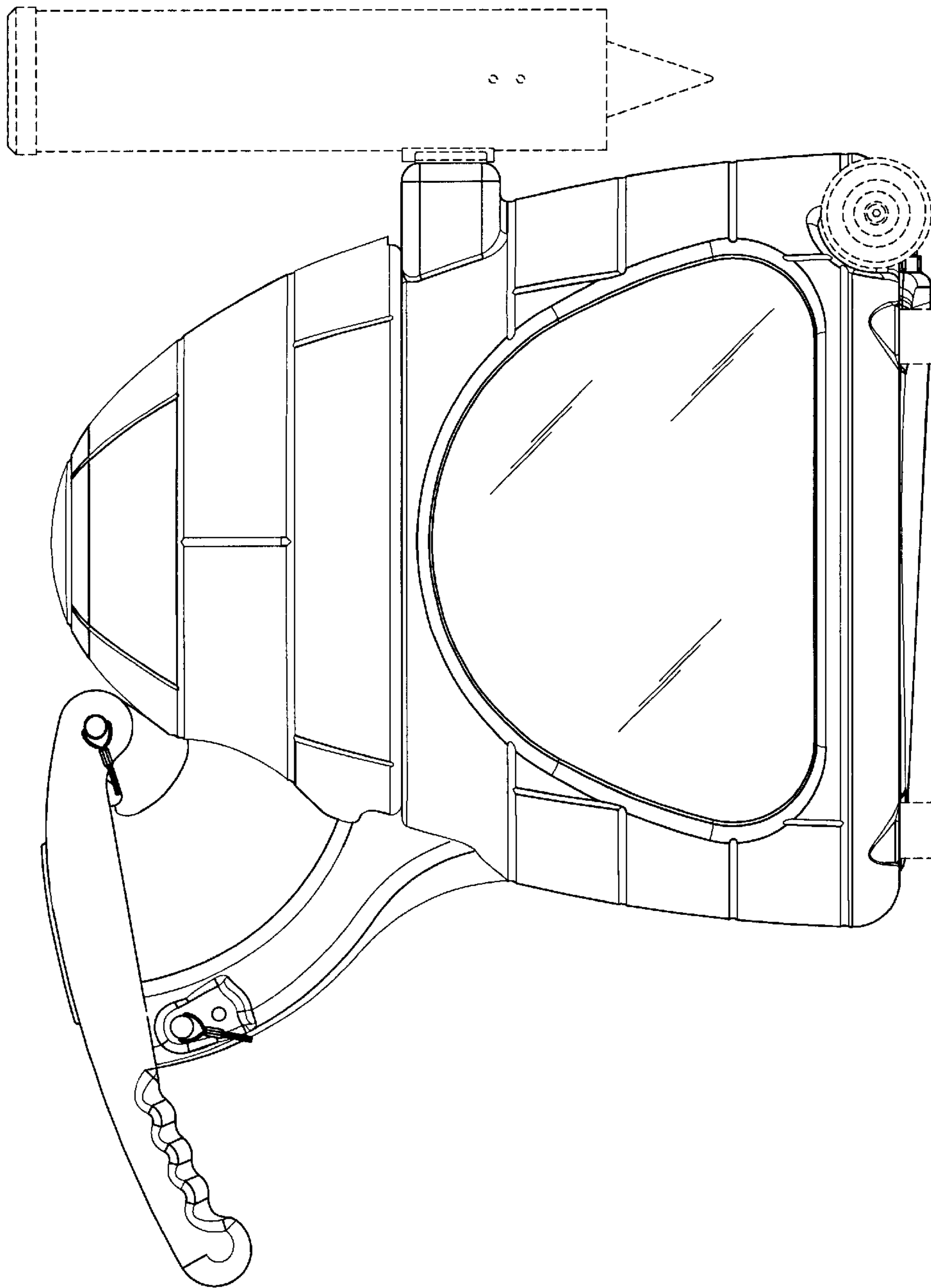


Fig. 9

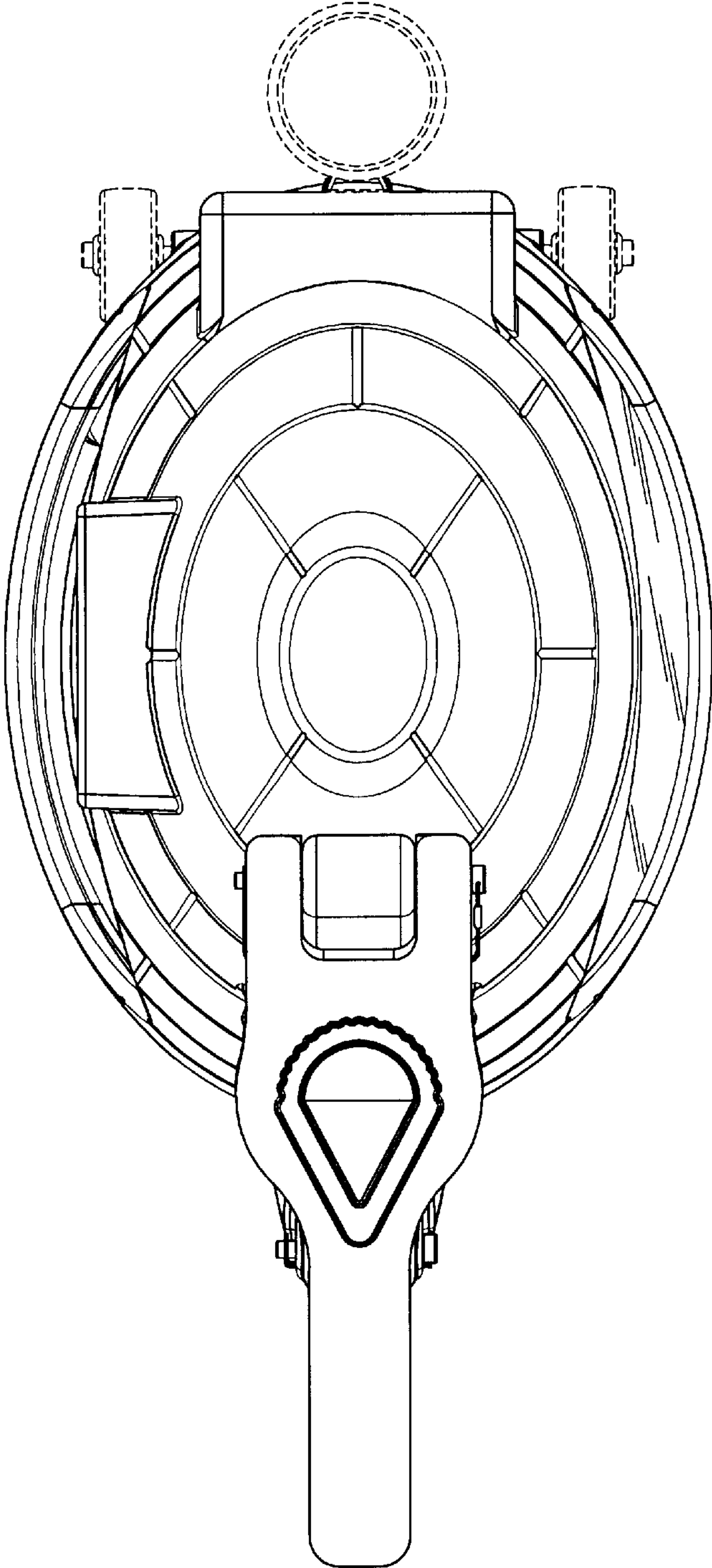


Fig. 10

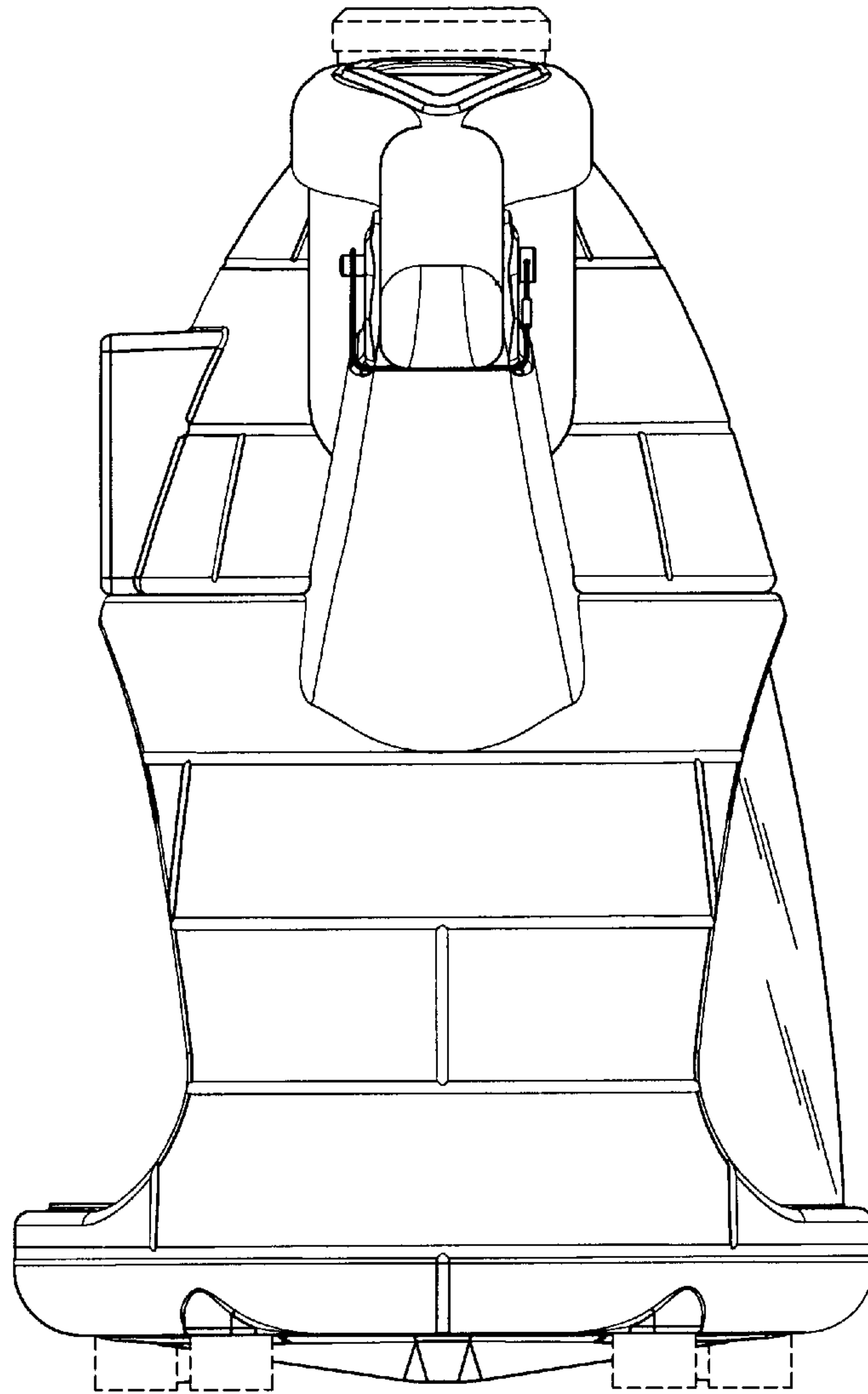


Fig. 11

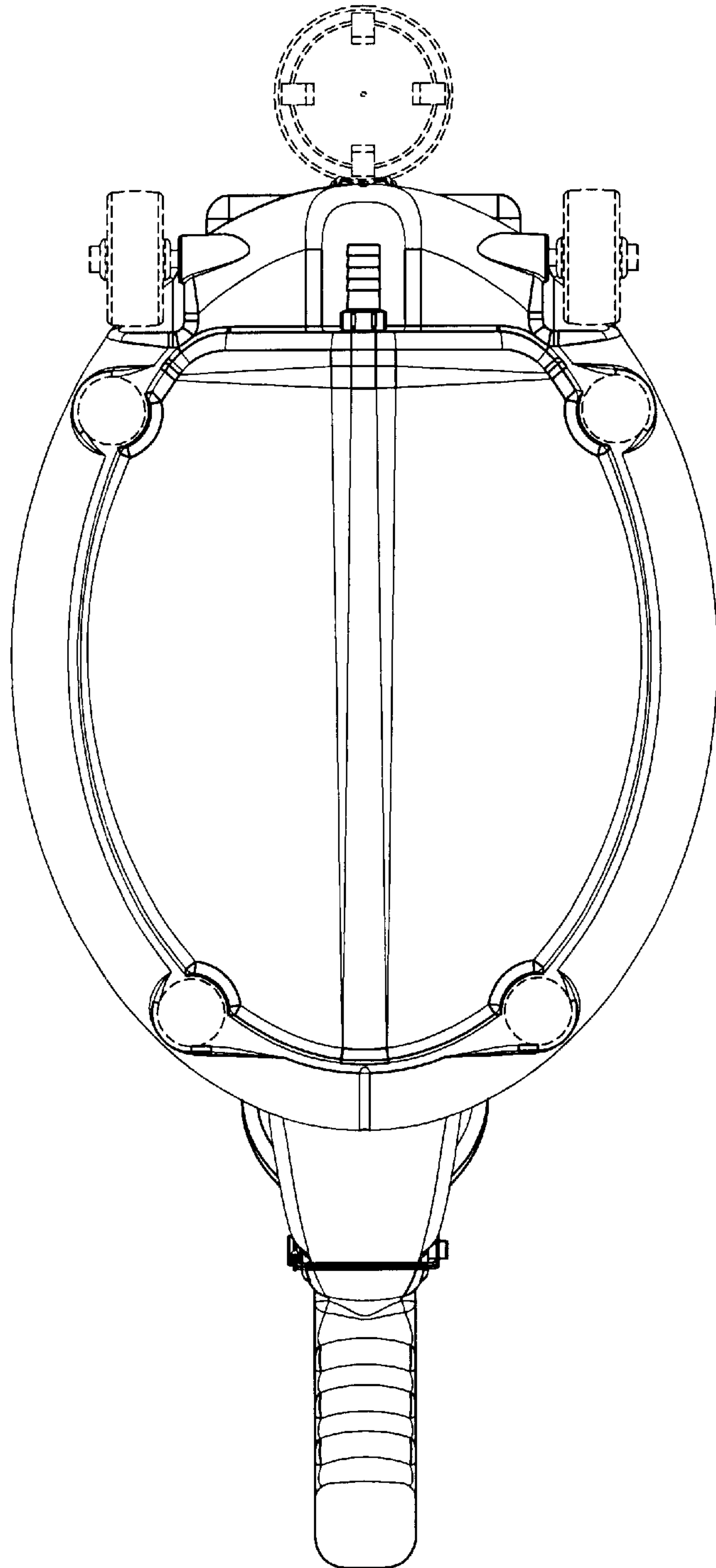


Fig. 12

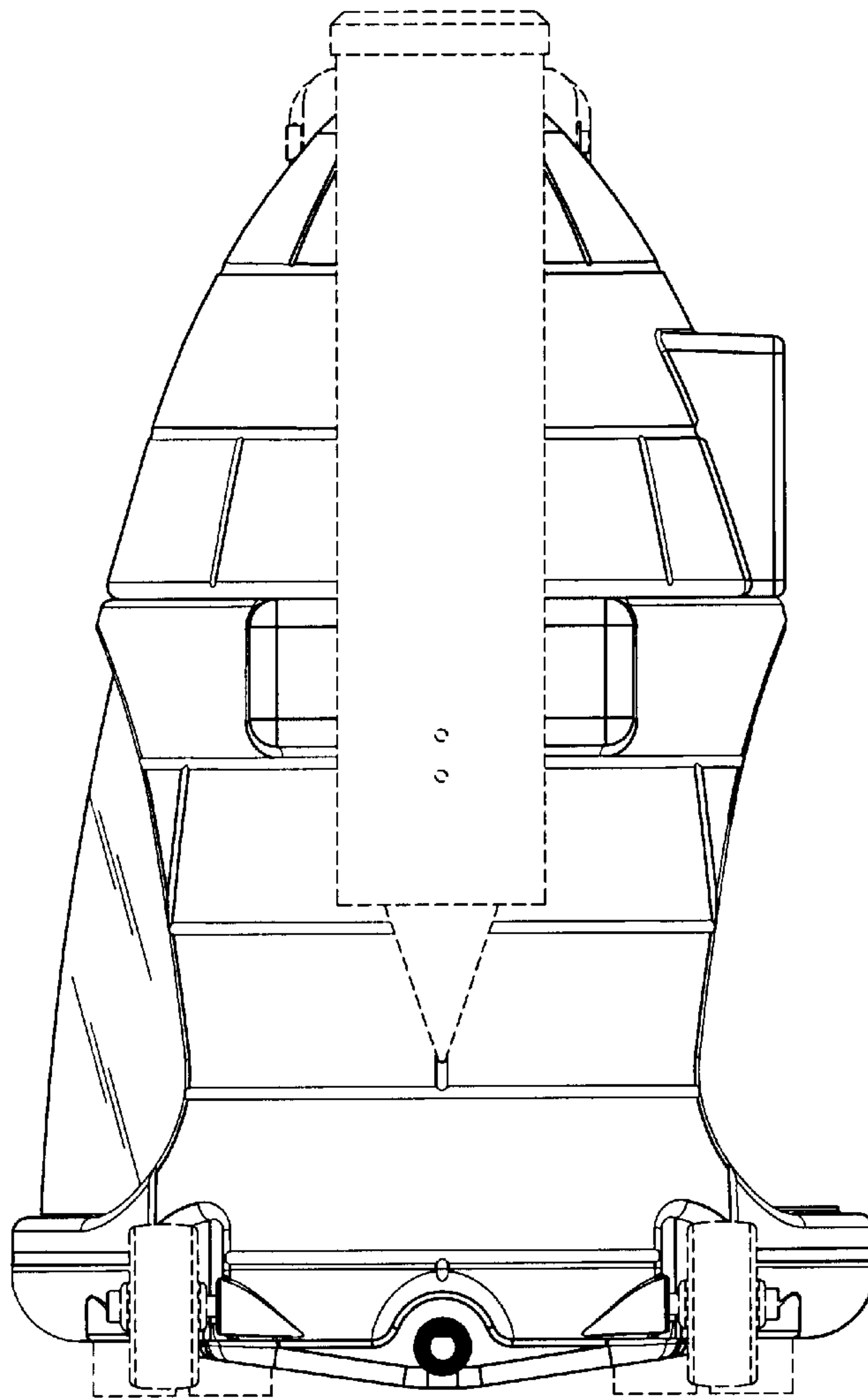


Fig. 13

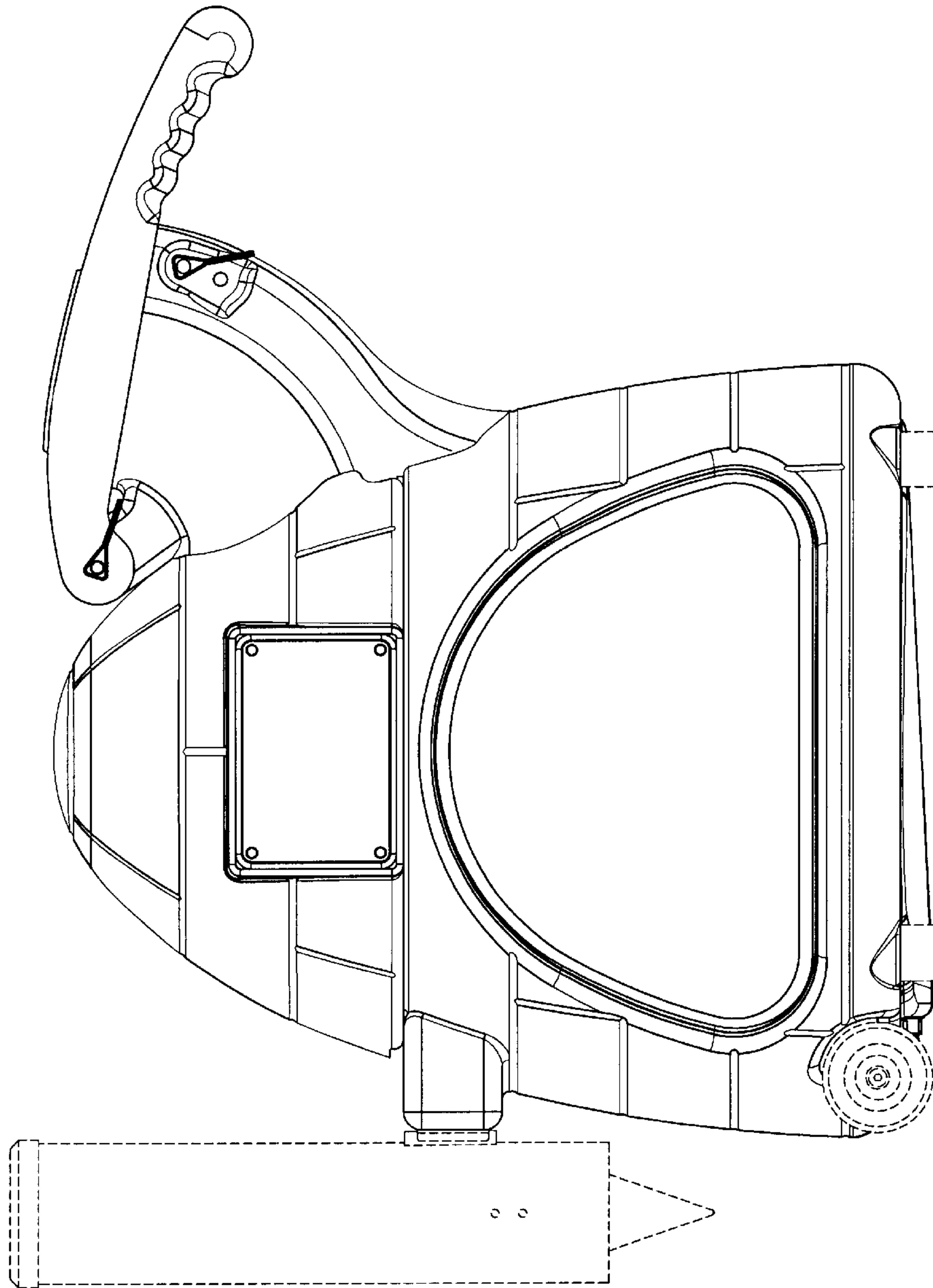


Fig. 14