

US00D528353S

(12) **United States Design Patent**
Brady et al.

(10) **Patent No.:** **US D528,353 S**

(45) **Date of Patent:** **** Sep. 19, 2006**

(54) **SLOW COOKER**

(75) Inventors: **Martin P. Brady**, Richmond, VA (US);
Guoyao Ye, Richmond, VA (US);
Ronald G. Tynes, Colchester, VT (US)

(73) Assignee: **Hamilton Beach/Proctor-Silex, Inc.**,
Glen Allen, VA (US)

(**) Term: **14 Years**

(21) Appl. No.: **29/232,320**

(22) Filed: **Jun. 16, 2005**

(51) **LOC (8) Cl.** **07-02**

(52) **U.S. Cl.** **D7/360**

(58) **Field of Classification Search** D7/323,
D7/337, 354-361, 362, 545; 219/401, 429,
219/432, 438, 440, 441; 99/324, 325, 329,
99/339, 340, 347, 403, 410, 411-413, 419;
220/573.1, 573.4, 573.5, 912

See application file for complete search history.

(56) **References Cited**

U.S. PATENT DOCUMENTS

1,271,230	A	*	7/1918	Sabo	292/42
D230,935	S	*	3/1974	Lloveras	D7/360
D248,363	S	*	7/1978	Rinaldi	D7/354
4,375,711	A		3/1983	Franzen et al.		
4,492,853	A		1/1985	Lam		
D298,899	S		12/1988	Blum et al.		
D307,531	S		5/1990	Ishida		
D313,727	S		1/1991	Gamez		
D338,370	S		8/1993	Takeda		
D341,058	S		11/1993	Slany et al.		
5,337,910	A		8/1994	Picozza et al.		
D370,826	S		6/1996	Thurlow		
5,678,790	A		10/1997	Dwyer		
5,683,010	A		11/1997	Boyajian, Jr.		
5,829,342	A		11/1998	Lee		
5,957,323	A		9/1999	Terracciano et al.		
D416,434	S		11/1999	Pollnow		
D420,246	S	*	2/2000	Alonge et al.	D7/360
D425,360	S		5/2000	Dobson et al.		

D427,483	S		7/2000	Geelen et al.		
D429,596	S		8/2000	Hlava et al.		
6,102,238	A	*	8/2000	Brady et al.	220/315
6,105,810	A		8/2000	Daenen et al.		
D433,869	S	*	11/2000	Wong et al.	D7/360

(Continued)

OTHER PUBLICATIONS

Toastmaster, Cookin' in Style, Portable Slow Cooker, 2004, 2 pages.

Hamilton Beach, 1999 Product Information Guide, May 1999, 3 pages.

Primary Examiner—Caron D. Veynar

Assistant Examiner—Ricky Pham

(74) *Attorney, Agent, or Firm*—Akin Gump Strauss Hauer & Feld, LLP

(57) **CLAIM**

The ornamental design for a slow cooker, as shown and described.

DESCRIPTION

FIG. 1 is a front right perspective view of a first embodiment of a slow cooker in accordance with our new design;

FIG. 2 is a front elevational view thereof;

FIG. 3 is a right-side elevational view thereof;

FIG. 4 is a rear elevational view thereof;

FIG. 5 is a left-side elevational view thereof;

FIG. 6 is a top plan view thereof;

FIG. 7 is a bottom plan view thereof;

FIG. 8 is a front right perspective view of a second embodiment of a slow cooker in accordance with our new design;

FIG. 9 is a front elevational view thereof;

FIG. 10 is a right-side elevational view thereof;

FIG. 11 is a rear elevational view thereof;

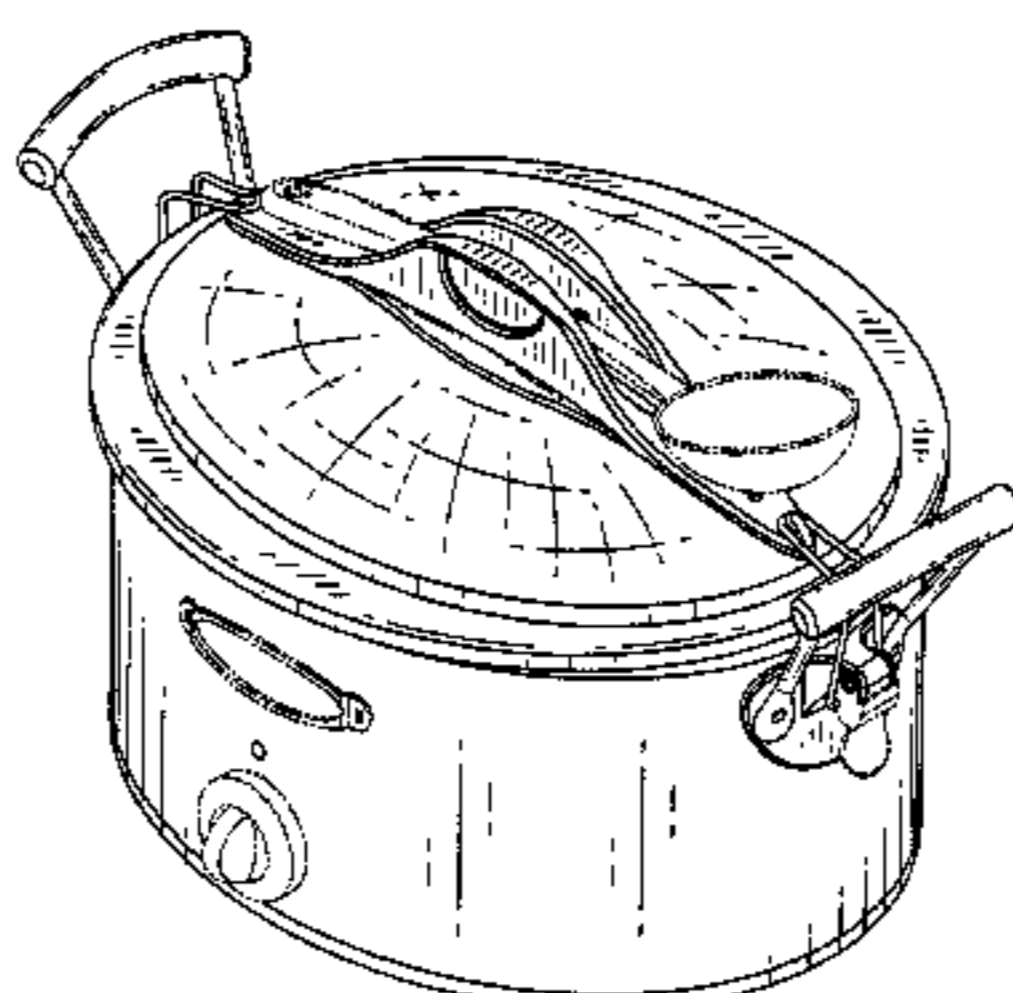
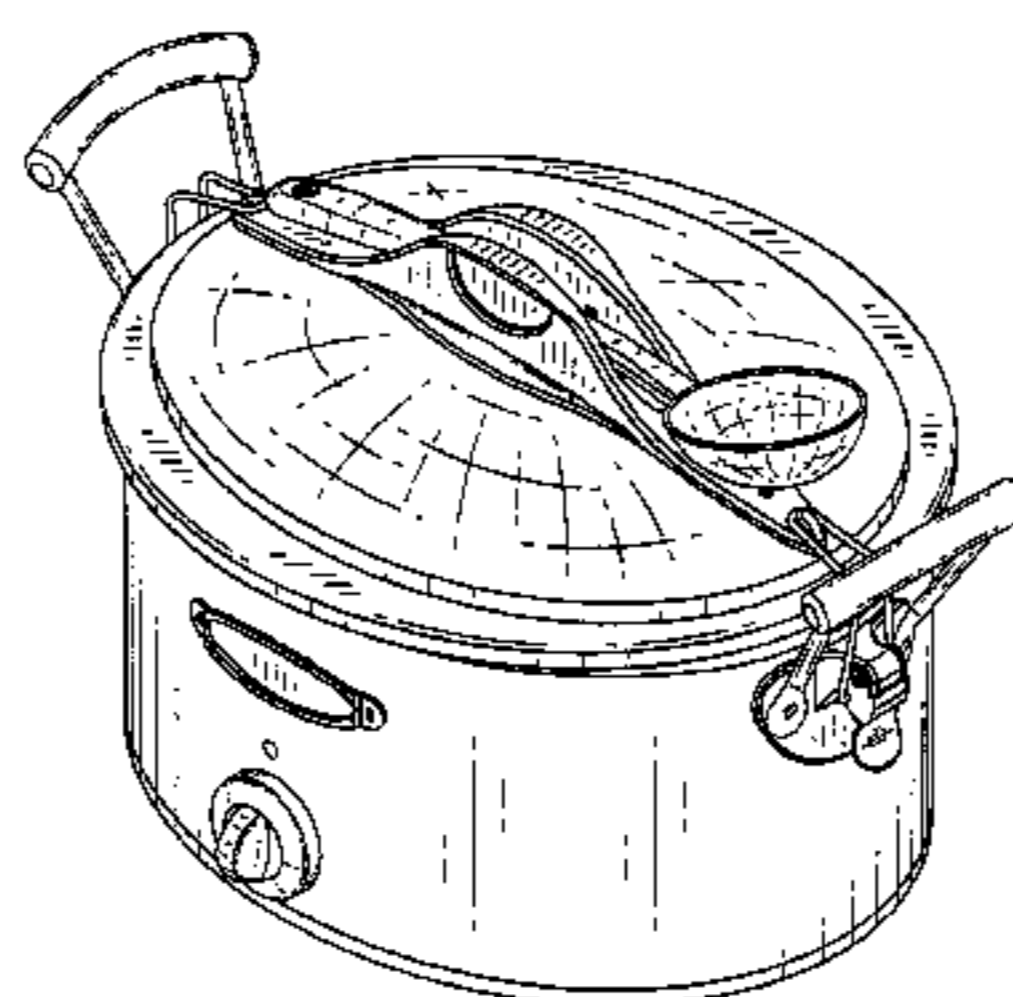
FIG. 12 is a left-side elevational view thereof;

FIG. 13 is a top plan view thereof; and,

FIG. 14 is a bottom plan view thereof.

The broken lines in the figures are for illustrative purposes only and form no part of the claimed design.

1 Claim, 14 Drawing Sheets



US D528,353 S

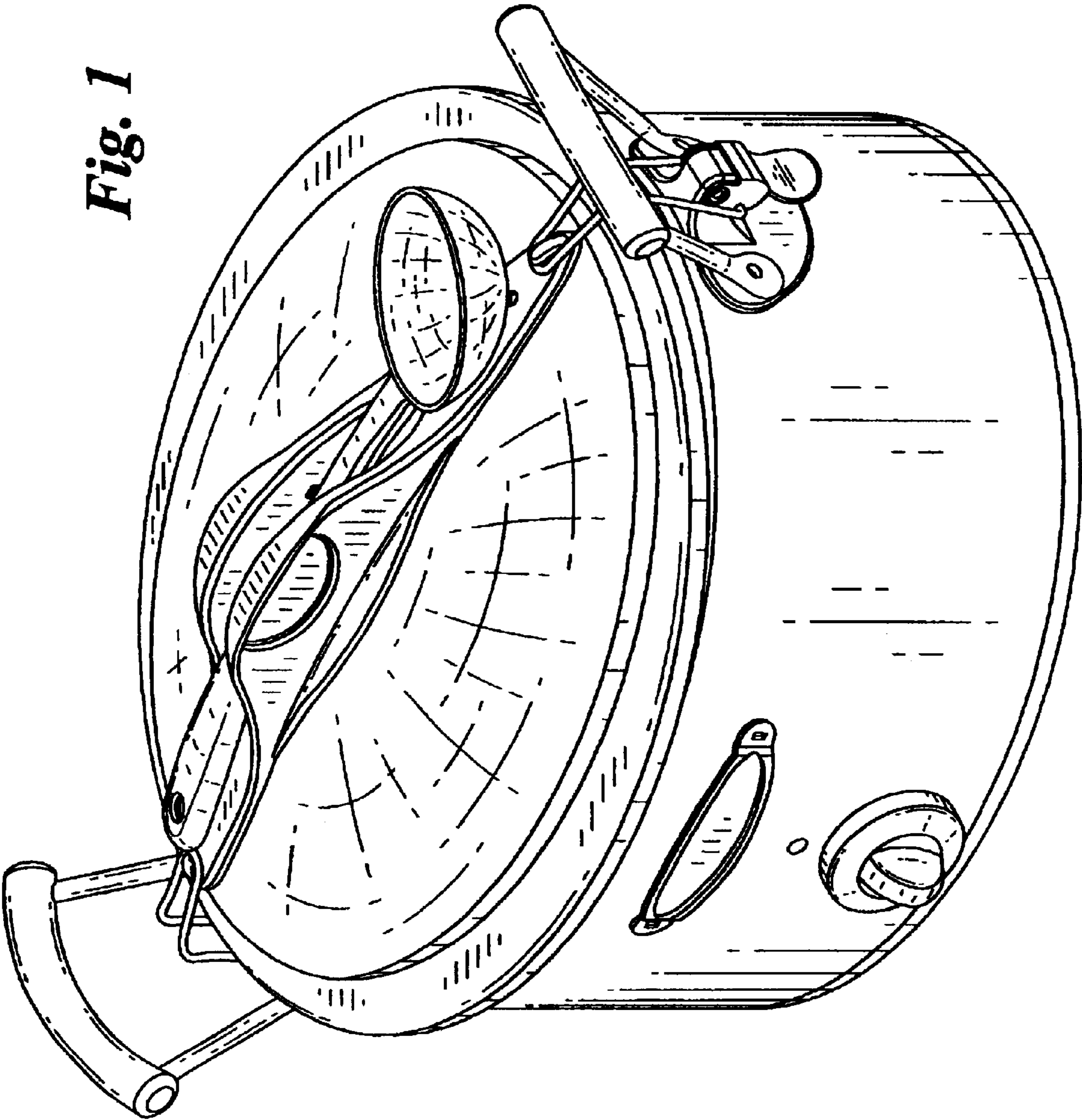
Page 2

U.S. PATENT DOCUMENTS

D434,266 S	11/2000	Dobson et al.		6,571,975 B1	6/2003	Fay	
D434,940 S	* 12/2000	Hlava et al.	D7/354	6,601,726 B1	8/2003	Bianco et al.	
6,234,067 B1	5/2001	Schmidt		6,705,209 B1	3/2004	Yang et al.	
D444,664 S	7/2001	Dobson et al.		6,748,853 B1	6/2004	Brady et al.	
D444,993 S	* 7/2001	Dobson et al.	D7/354	D492,882 S	7/2004	Liu	
D445,298 S	* 7/2001	DeBord et al.	D7/360	D503,584 S	* 4/2005	White et al.	D7/355
6,429,408 B1	8/2002	Muskalla et al.		D511,268 S	* 11/2005	Ryan	D7/360
6,435,358 B1	8/2002	Decal		2003/0024936 A1	2/2003	Niese	
D468,163 S	1/2003	Blake et al.		2004/0079747 A1	4/2004	Wang	

* cited by examiner

Fig. 1



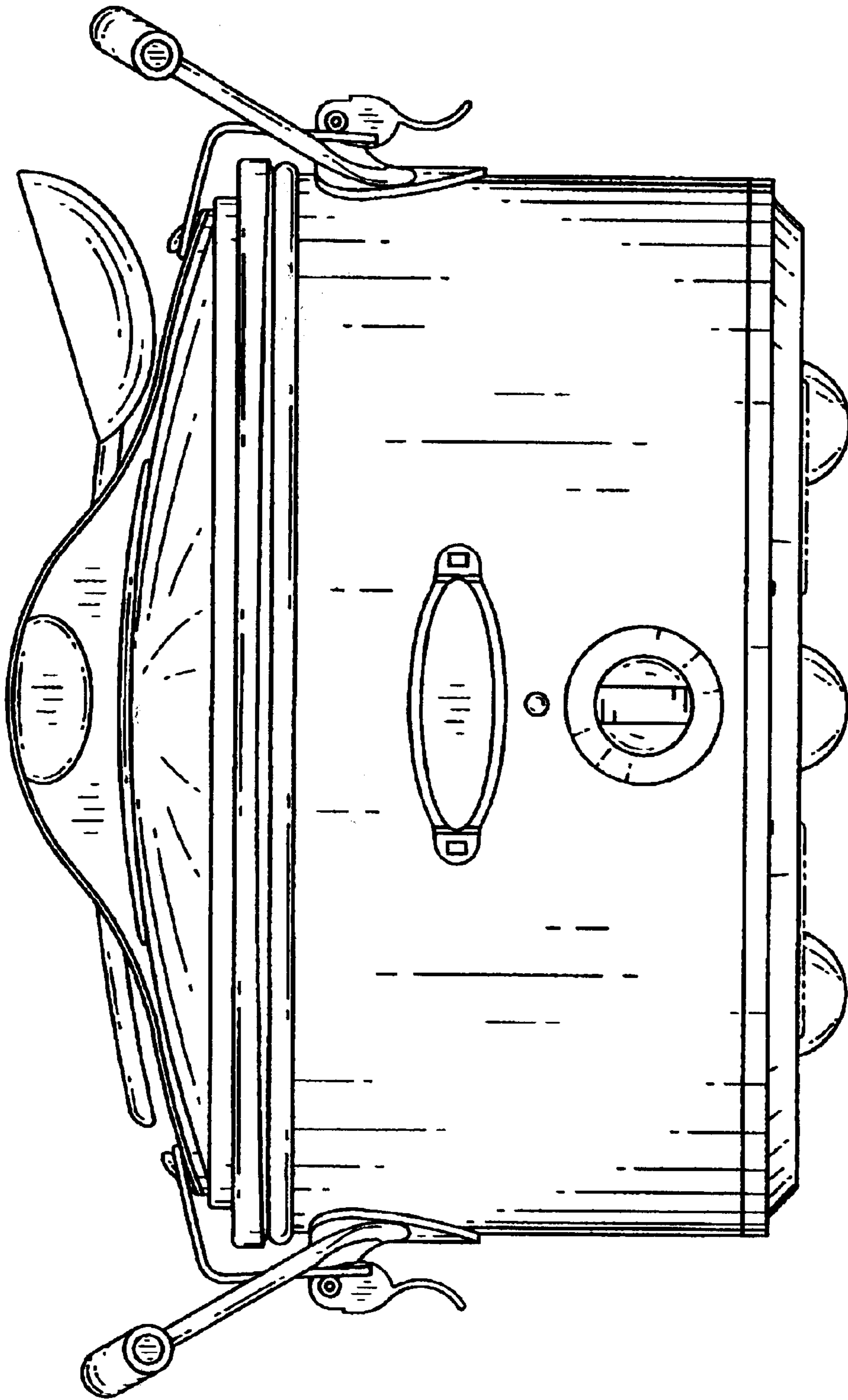


Fig. 2

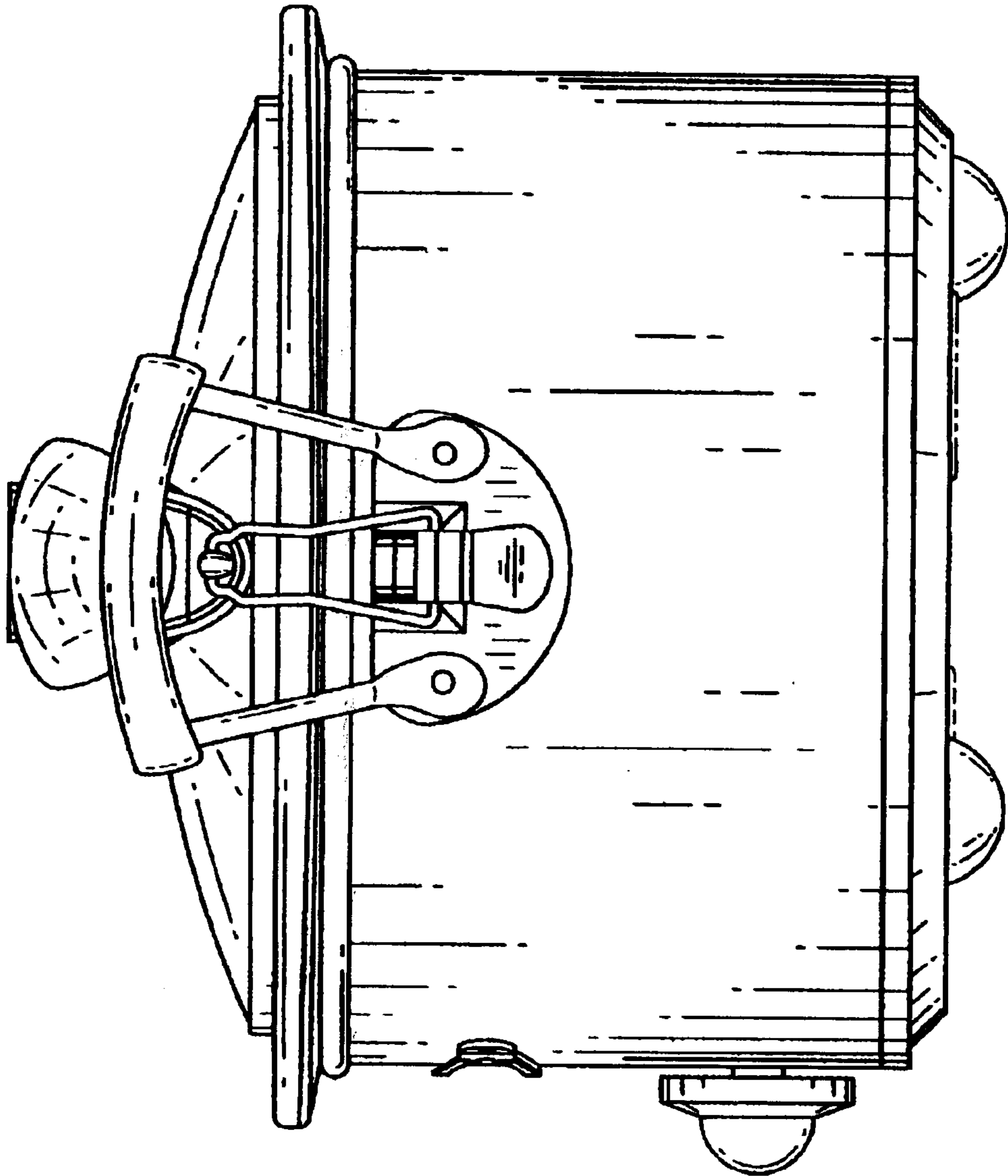


Fig. 3

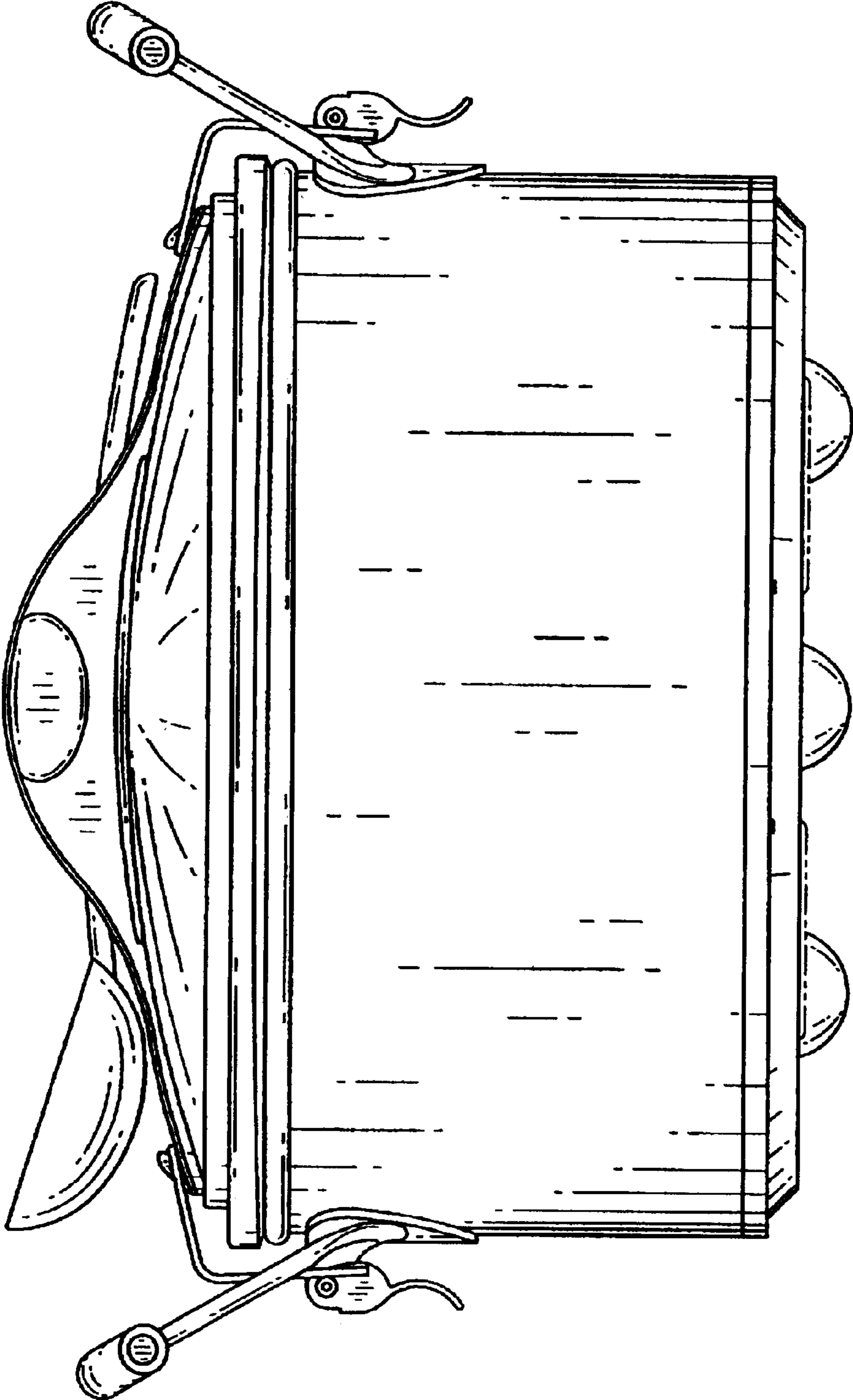


Fig. 4

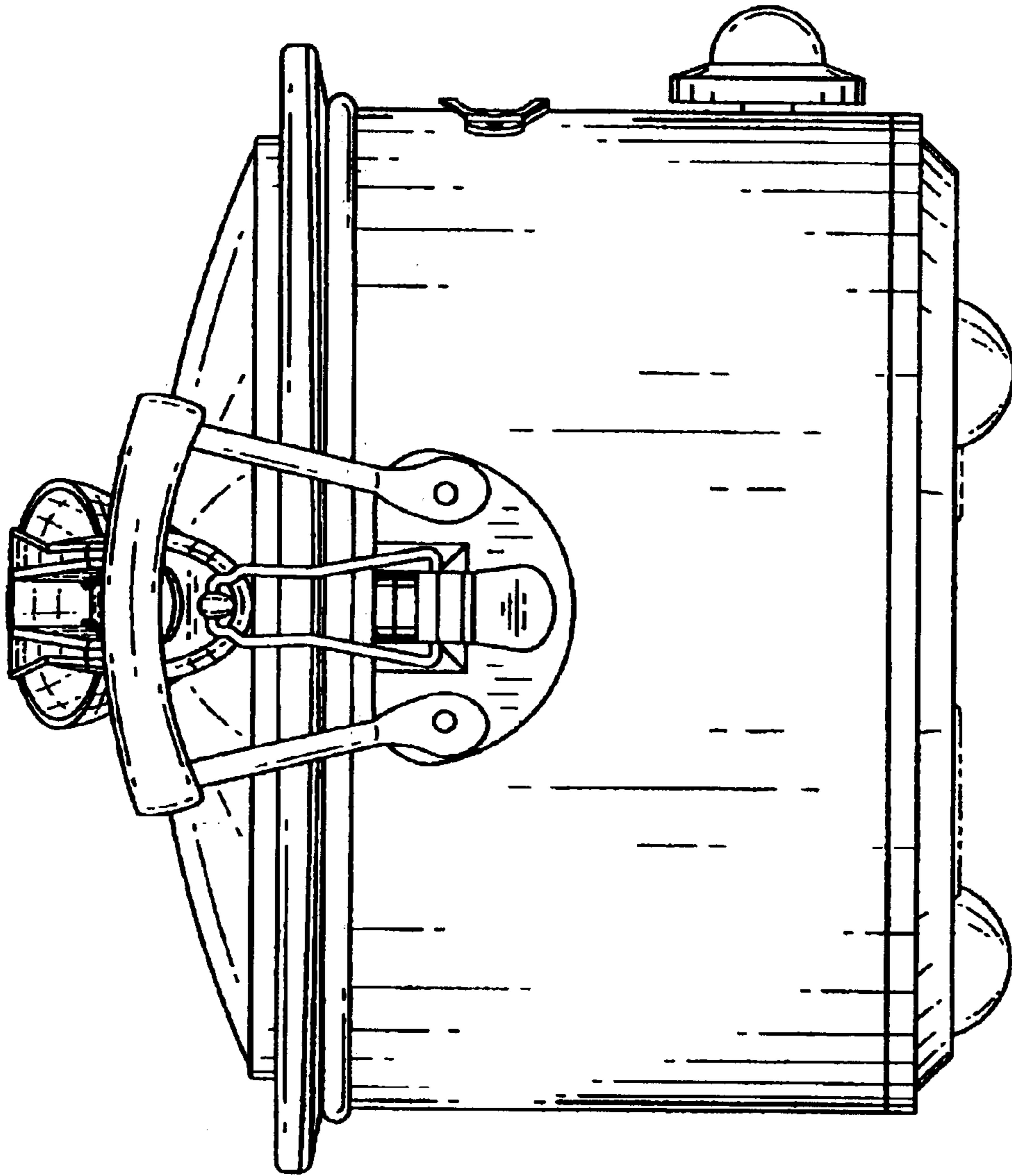


Fig. 5

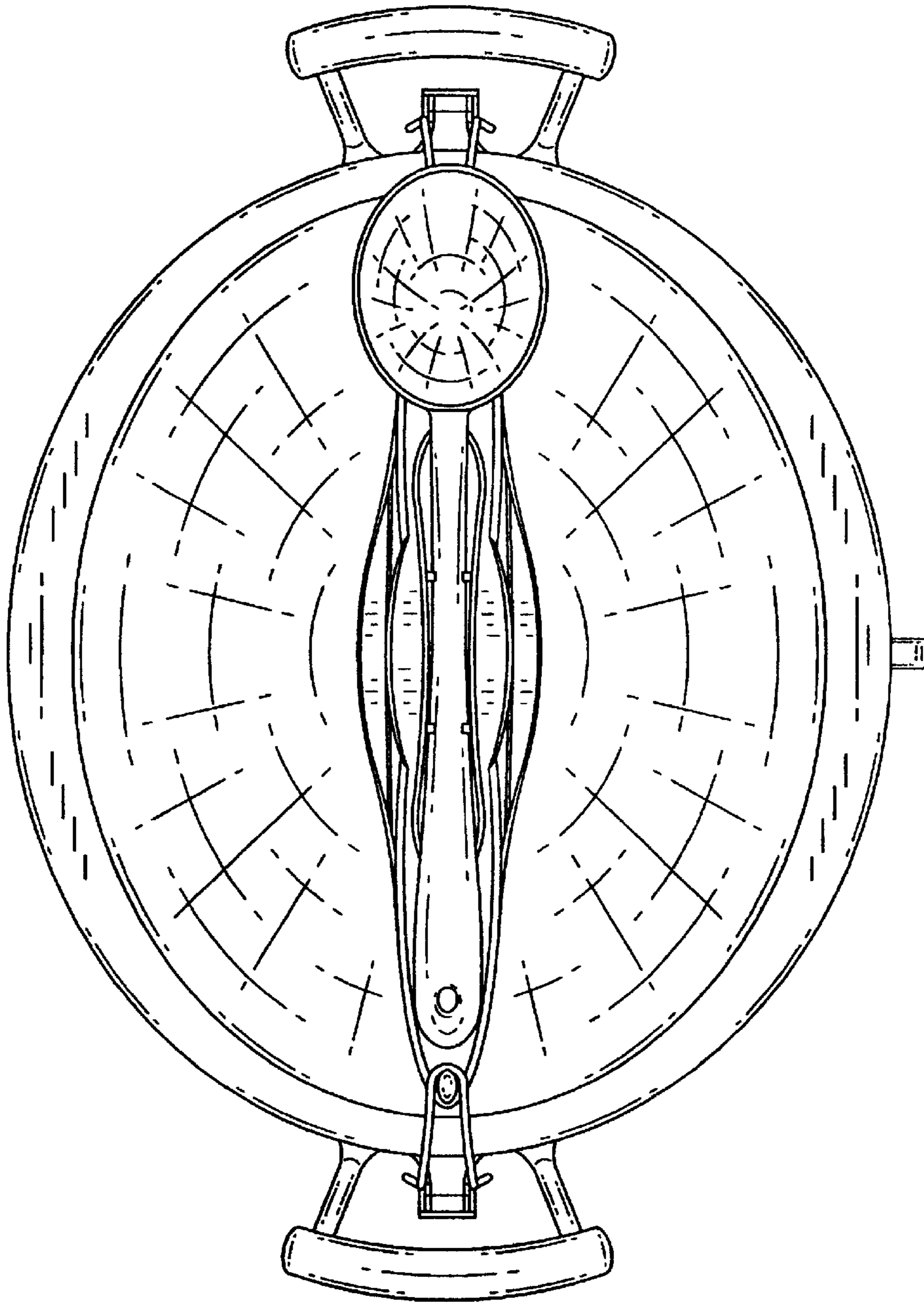


Fig. 6

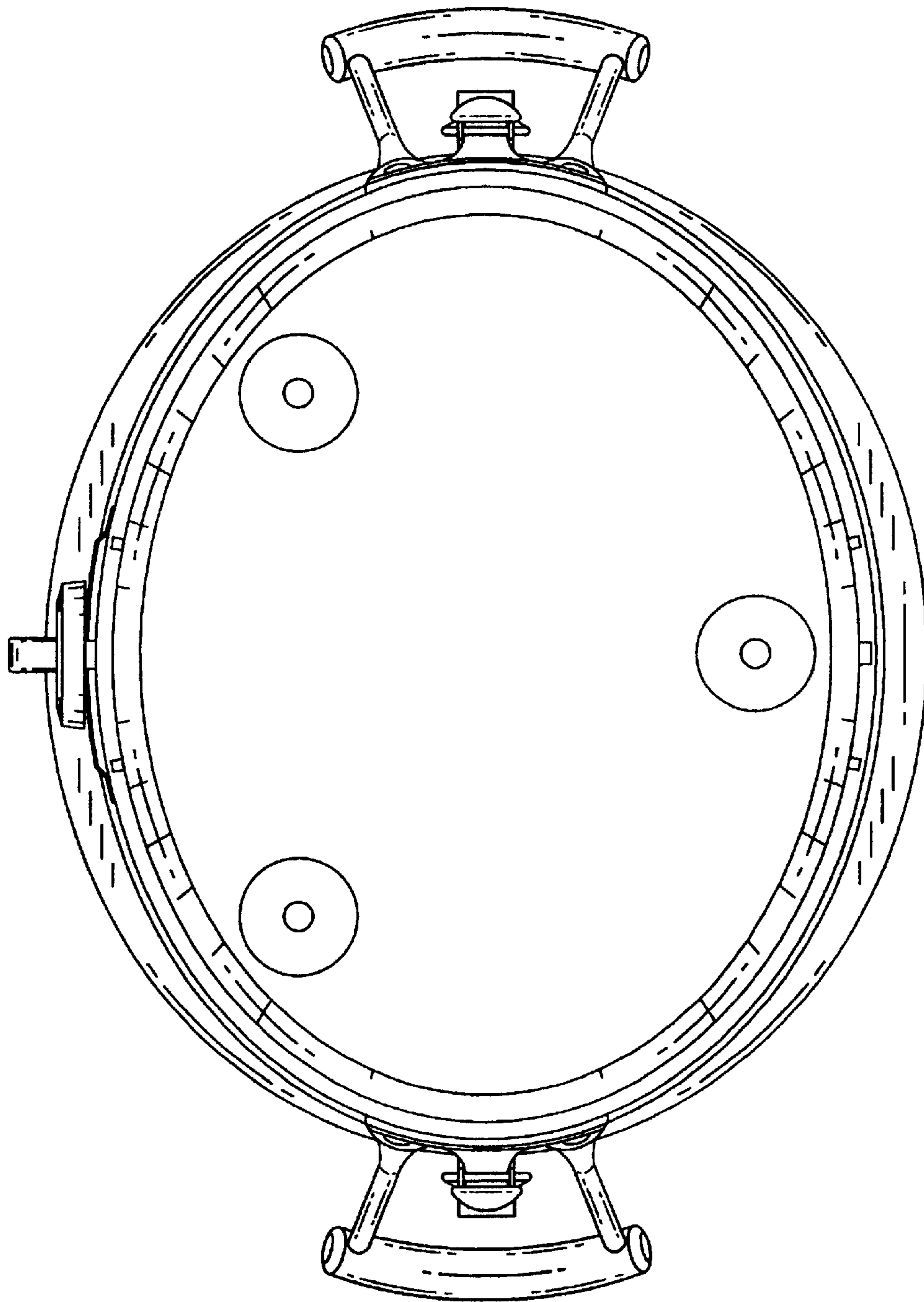
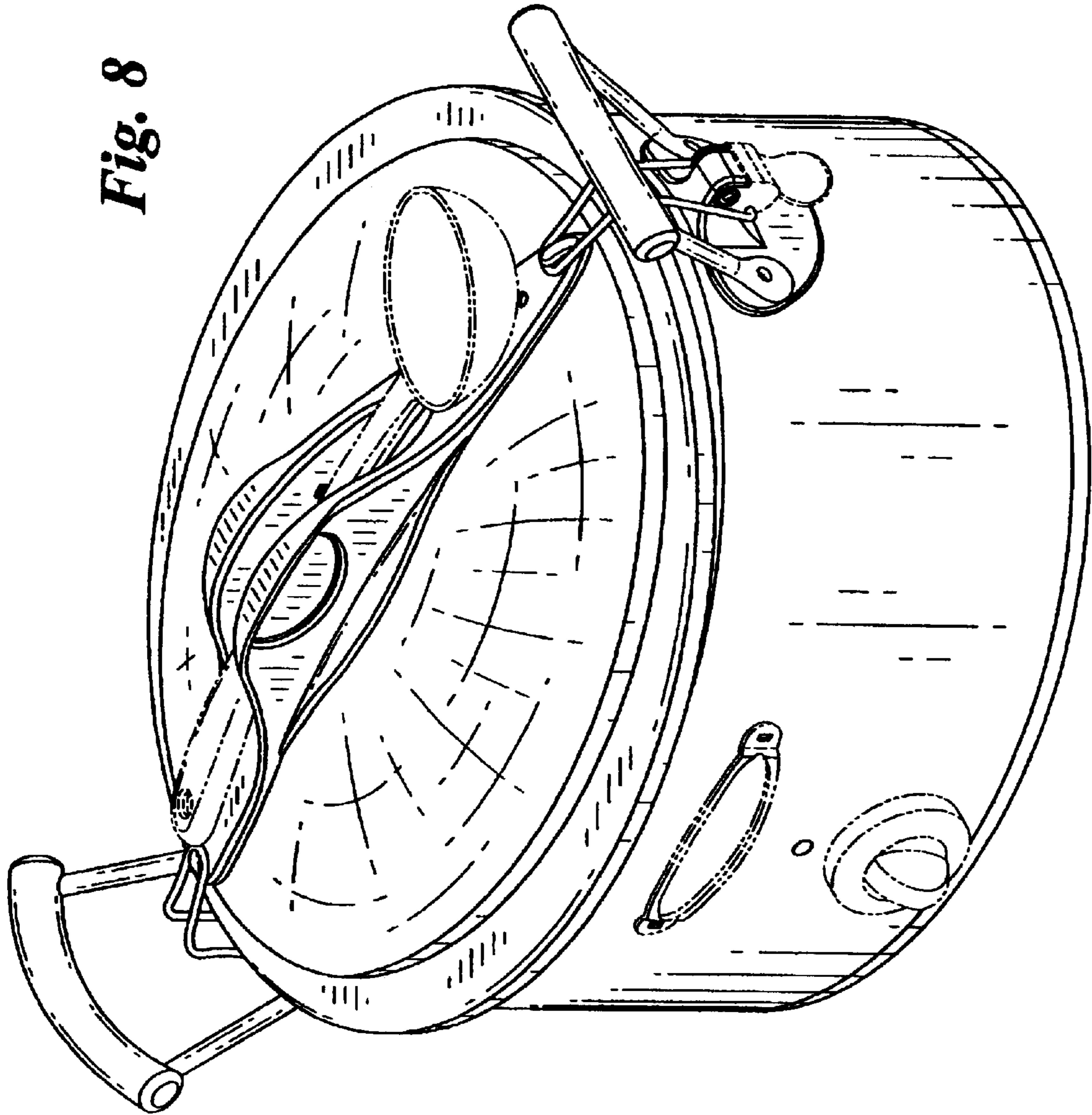


Fig. 7



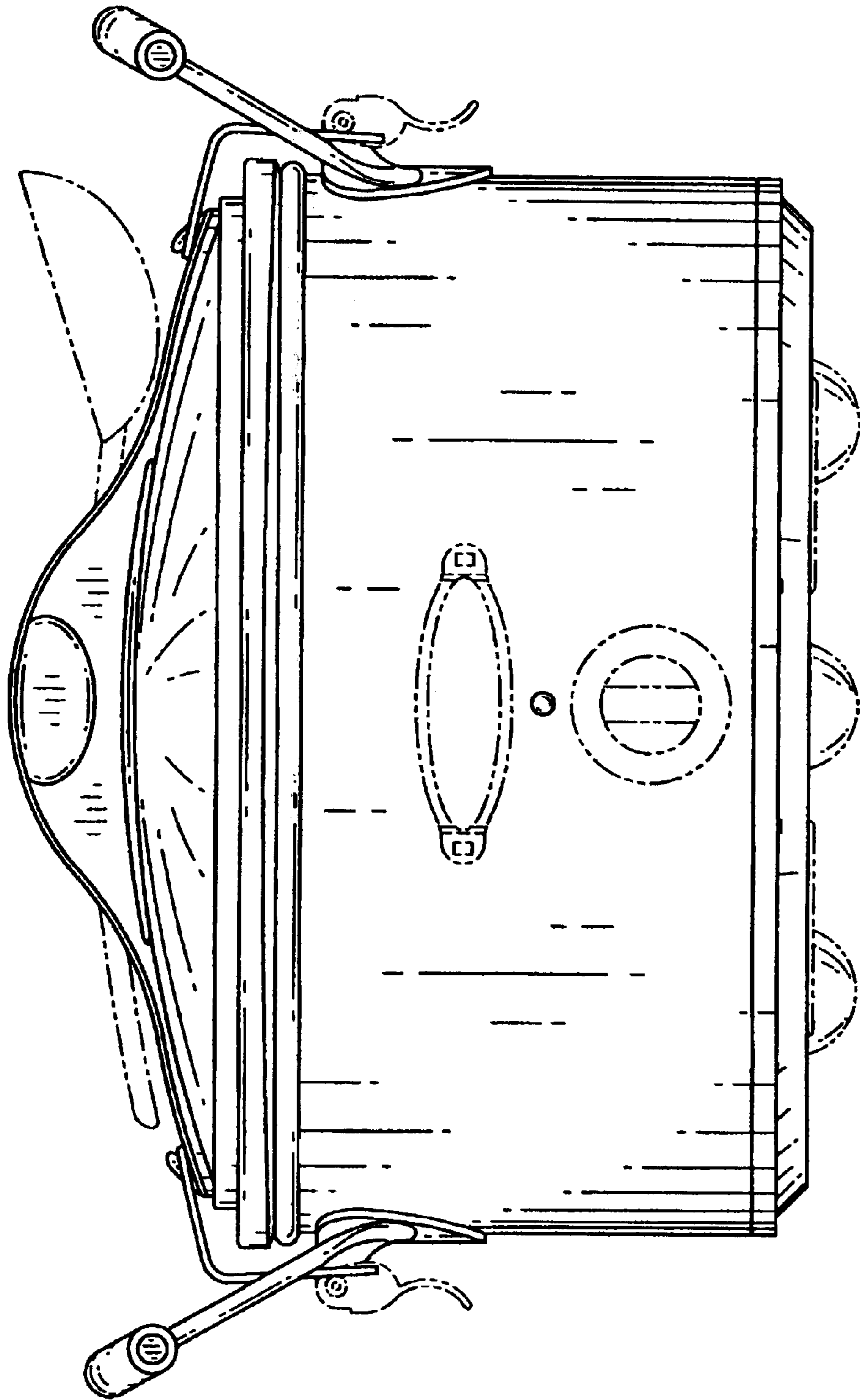


Fig. 9

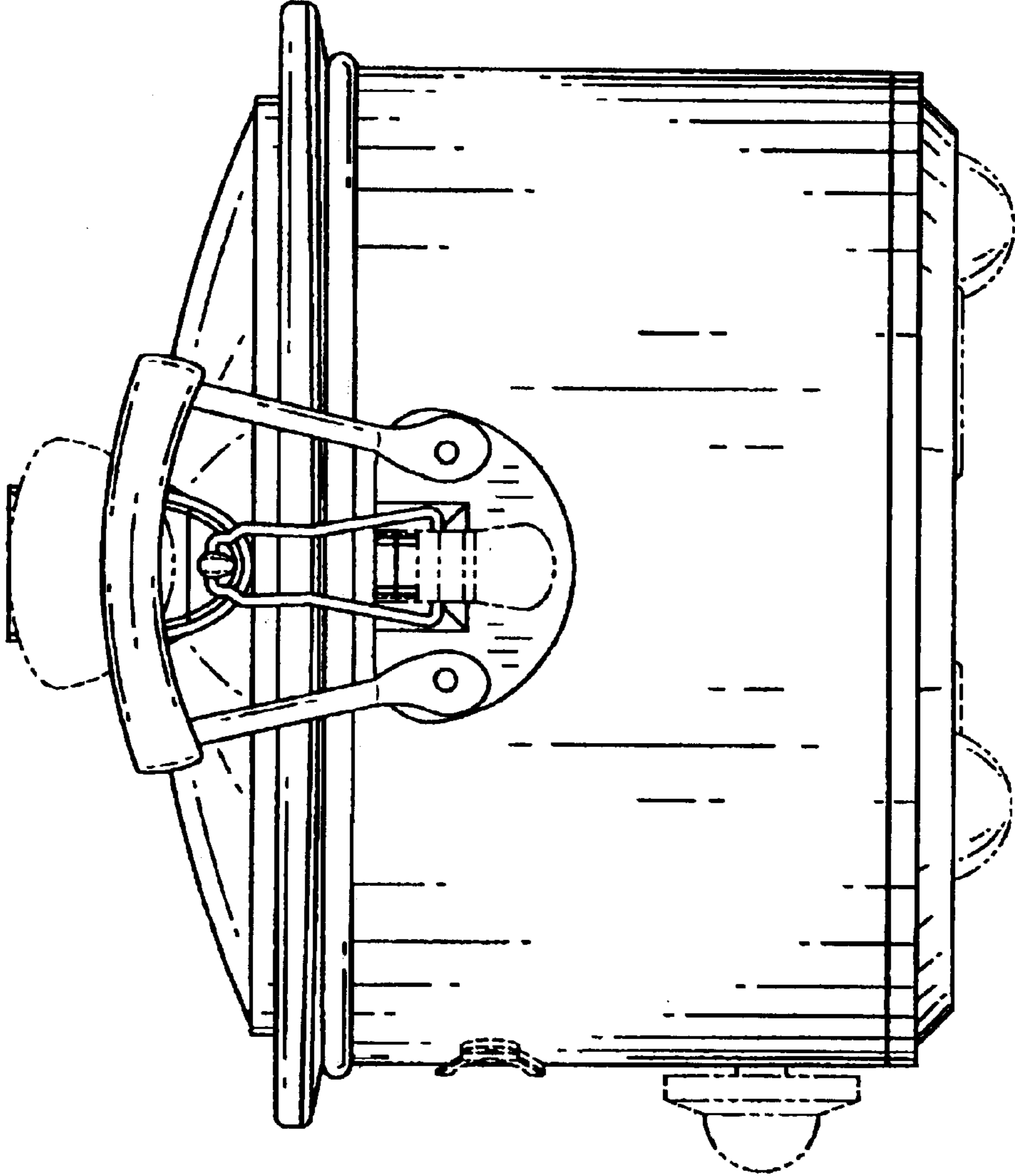


Fig. 10

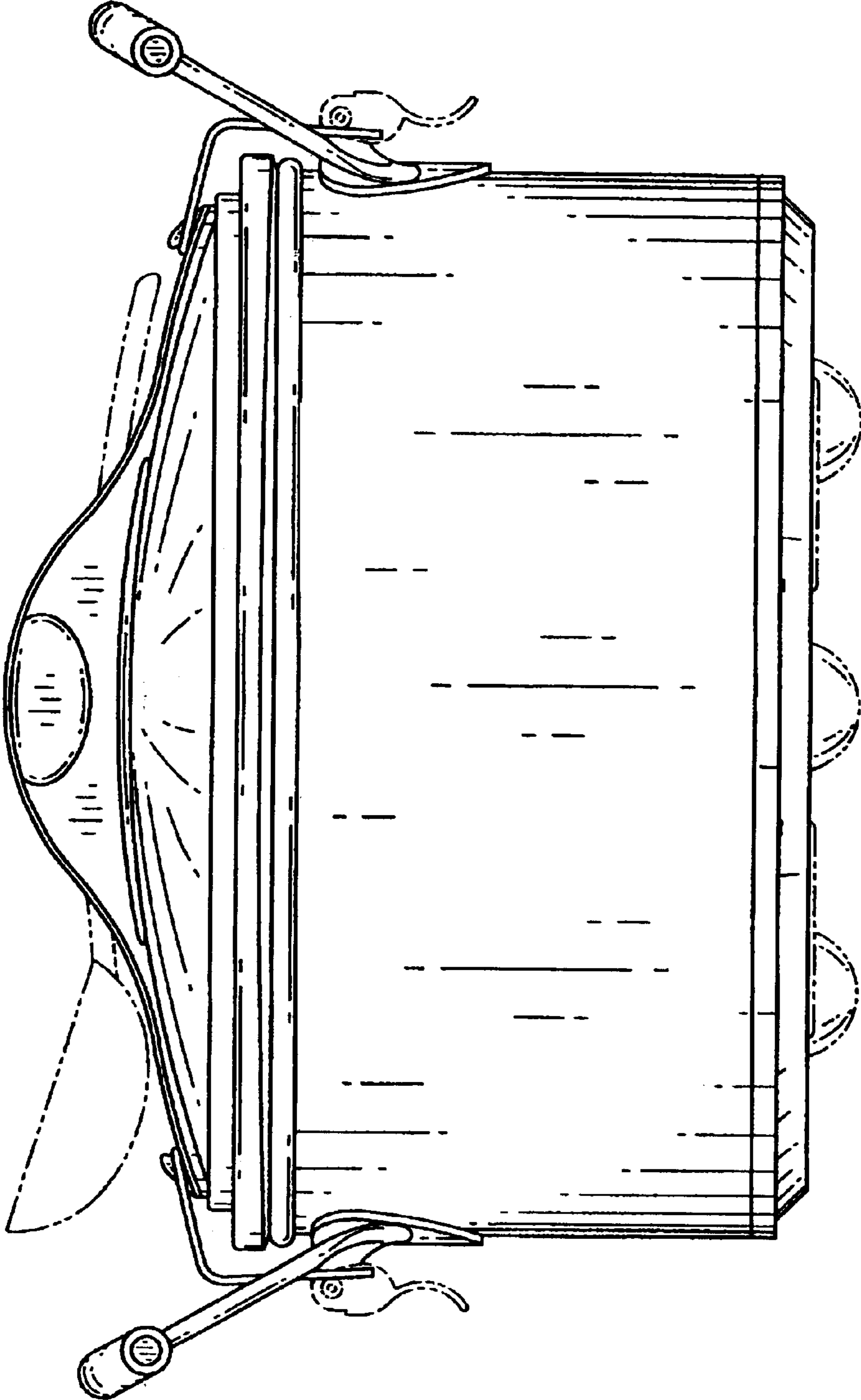


Fig. 11

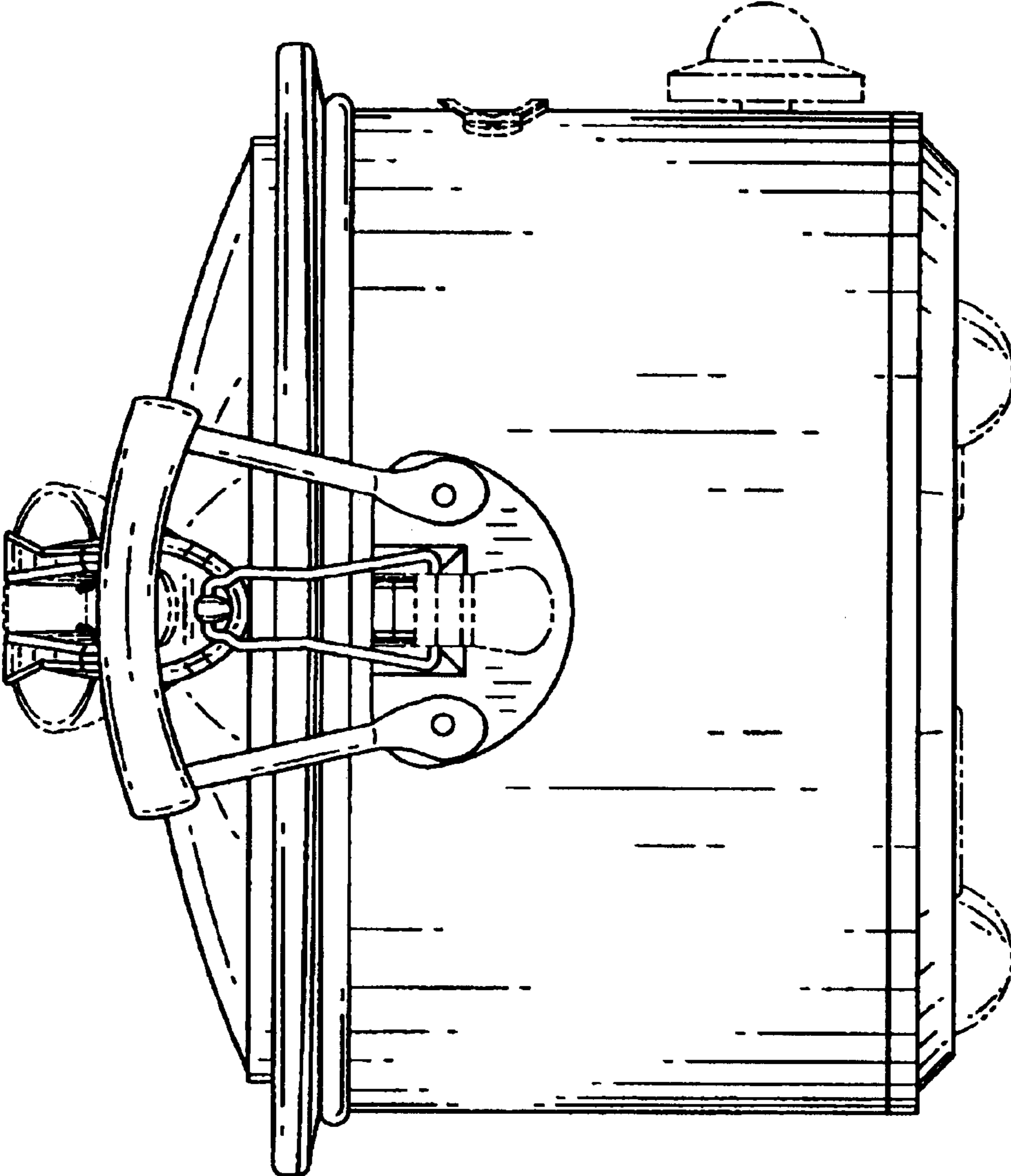


Fig. 12

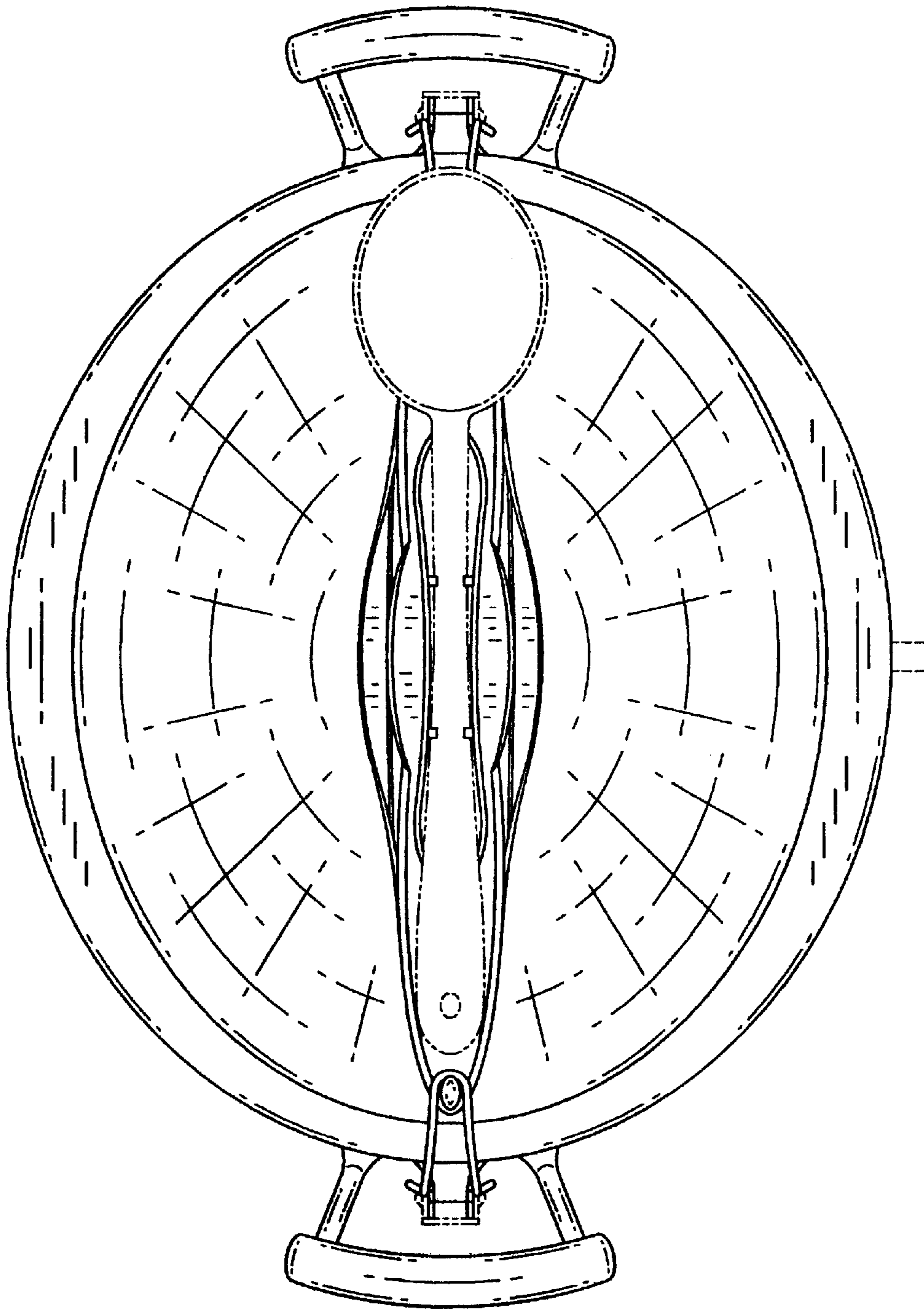


Fig. 13

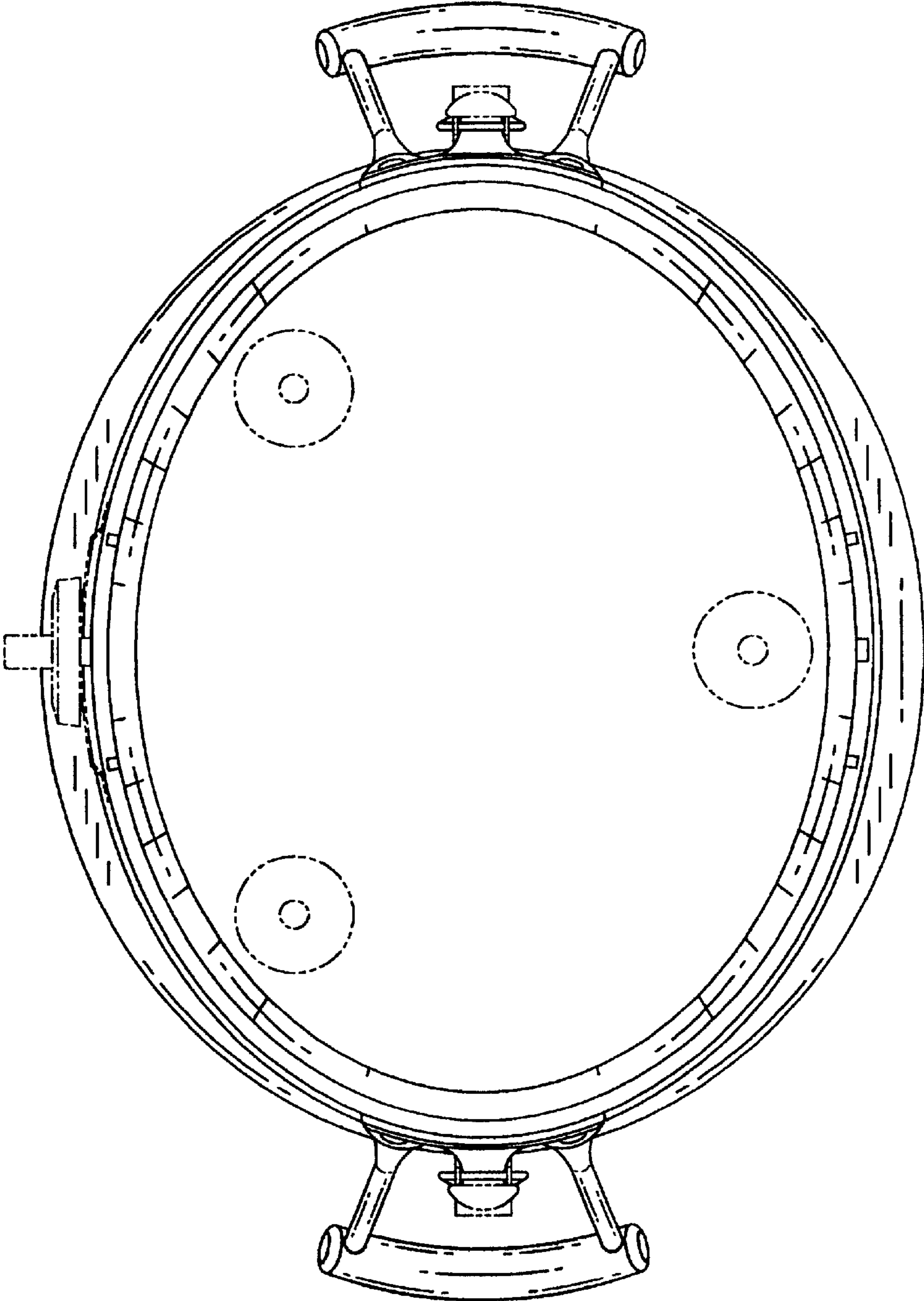


Fig. 14