



US00D528346S

(12) **United States Design Patent**
Brekke

(10) **Patent No.:** **US D528,346 S**

(45) **Date of Patent:** **** Sep. 19, 2006**

(54) **TABLE TOP POPCORN MAKER**

(75) Inventor: **Bruce Brekke**, Las Vegas, NV (US)

(73) Assignee: **Strokin, LLC**, Chaska, MN (US)

(**) Term: **14 Years**

(21) Appl. No.: **29/227,594**

(22) Filed: **Apr. 13, 2005**

(51) **LOC (8) Cl.** **31-00**

(52) **U.S. Cl.** **D7/325**

(58) **Field of Classification Search** D7/323,
D7/325, 354-361, 500; 99/323.4, 323.5,
99/323.6, 323.7, 323.8, 323.9, 442; 219/433,
219/441, 728-731, 735, 745, 762; 426/106,
426/107, 110, 234, 241, 243

See application file for complete search history.

(56) **References Cited**

U.S. PATENT DOCUMENTS

2,134,682	A	*	11/1938	Burch	99/323.7
2,248,812	A	*	7/1941	Cretors	99/323.7
2,972,292	A	*	2/1961	Waas et al.	99/323.8
3,294,546	A	*	12/1966	Fingerhut	426/233
3,311,992	A	*	4/1967	Seley	34/588
4,438,682	A	*	3/1984	King et al.	99/323.7
D279,069	S	*	6/1985	Goodlaxson	D7/325
5,033,363	A	*	7/1991	King et al.	99/323.7
5,419,238	A	*	5/1995	Pinone	99/323.6

D388,466	S	*	12/1997	Yurchak	D20/1
5,771,779	A	*	6/1998	Stein et al.	99/323.7
2003/0159591	A1	*	8/2003	Evans et al.	99/323.5

OTHER PUBLICATIONS

BSN Sports, Summer 2003 Popcorn Popper—Item No. BS-SGM2085.*

* cited by examiner

Primary Examiner—Caron D. Veynar

Assistant Examiner—Ricky Pham

(74) *Attorney, Agent, or Firm*—Fredrikson & Byron, P.A.

(57) **CLAIM**

The ornamental design for a table top popcorn maker, as shown and described.

DESCRIPTION

FIG. 1 is a rear, top, left side perspective view of the table top popcorn maker of my design;

FIG. 2 is a left side view thereof; the right side being a mirror image thereof;

FIG. 3 is a rear view thereof; the front being a mirror image thereof;

FIG. 4 is a top view thereof; and,

FIG. 5 is a bottom view thereof.

Where included, broken lines showing environment or structure are for illustrative purposes only and form no part of the claimed design.

1 Claim, 3 Drawing Sheets

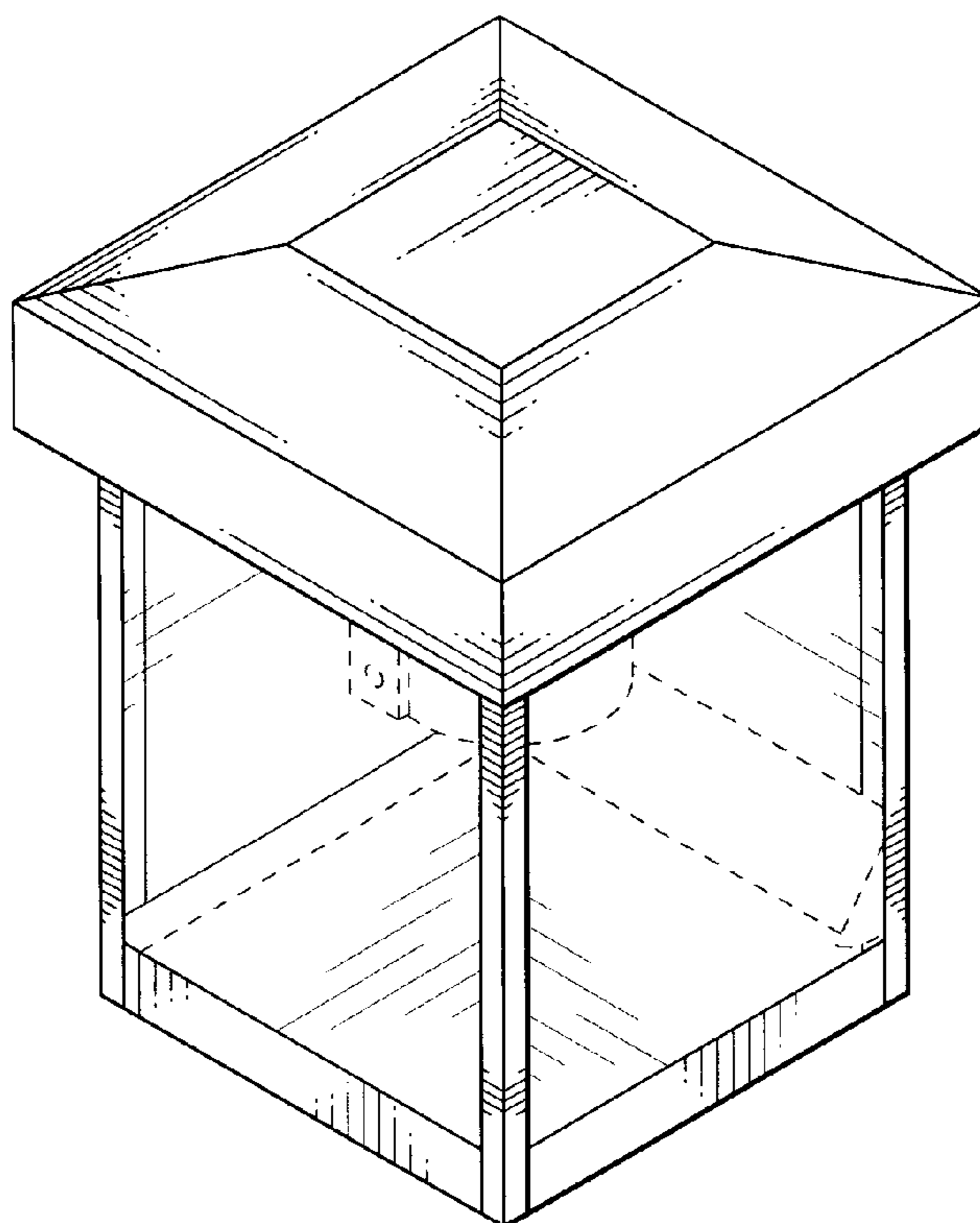
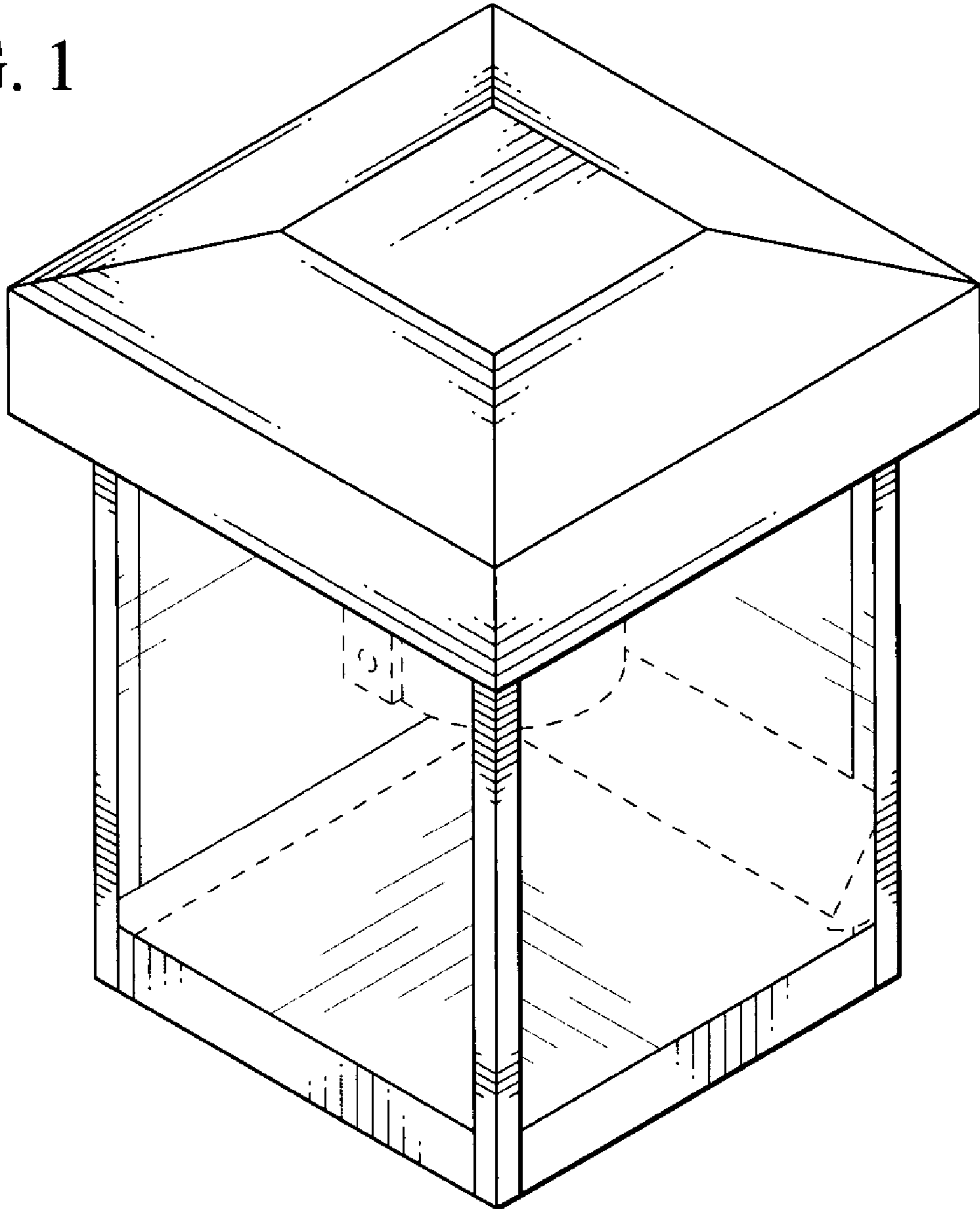


FIG. 1



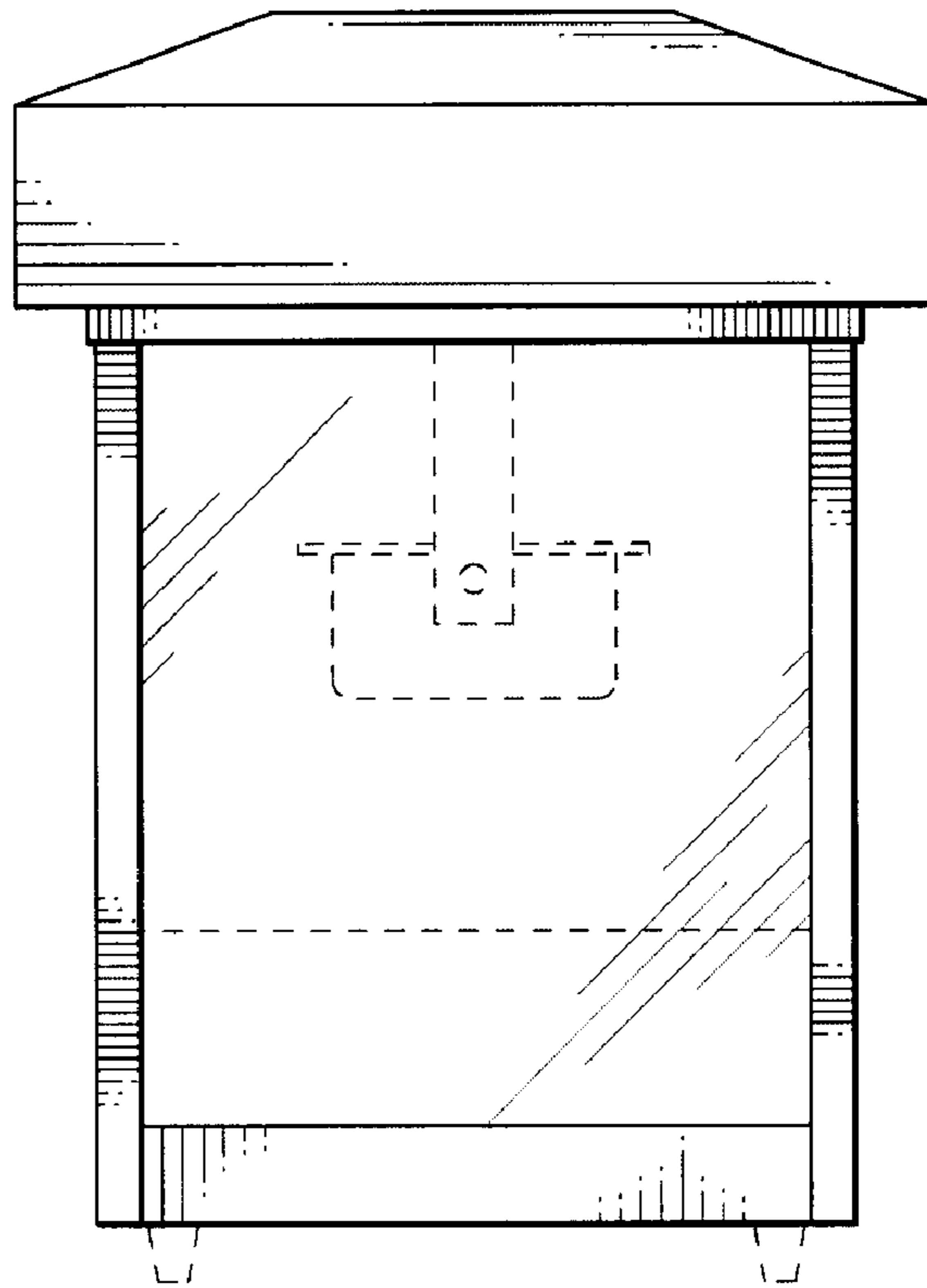


FIG. 2

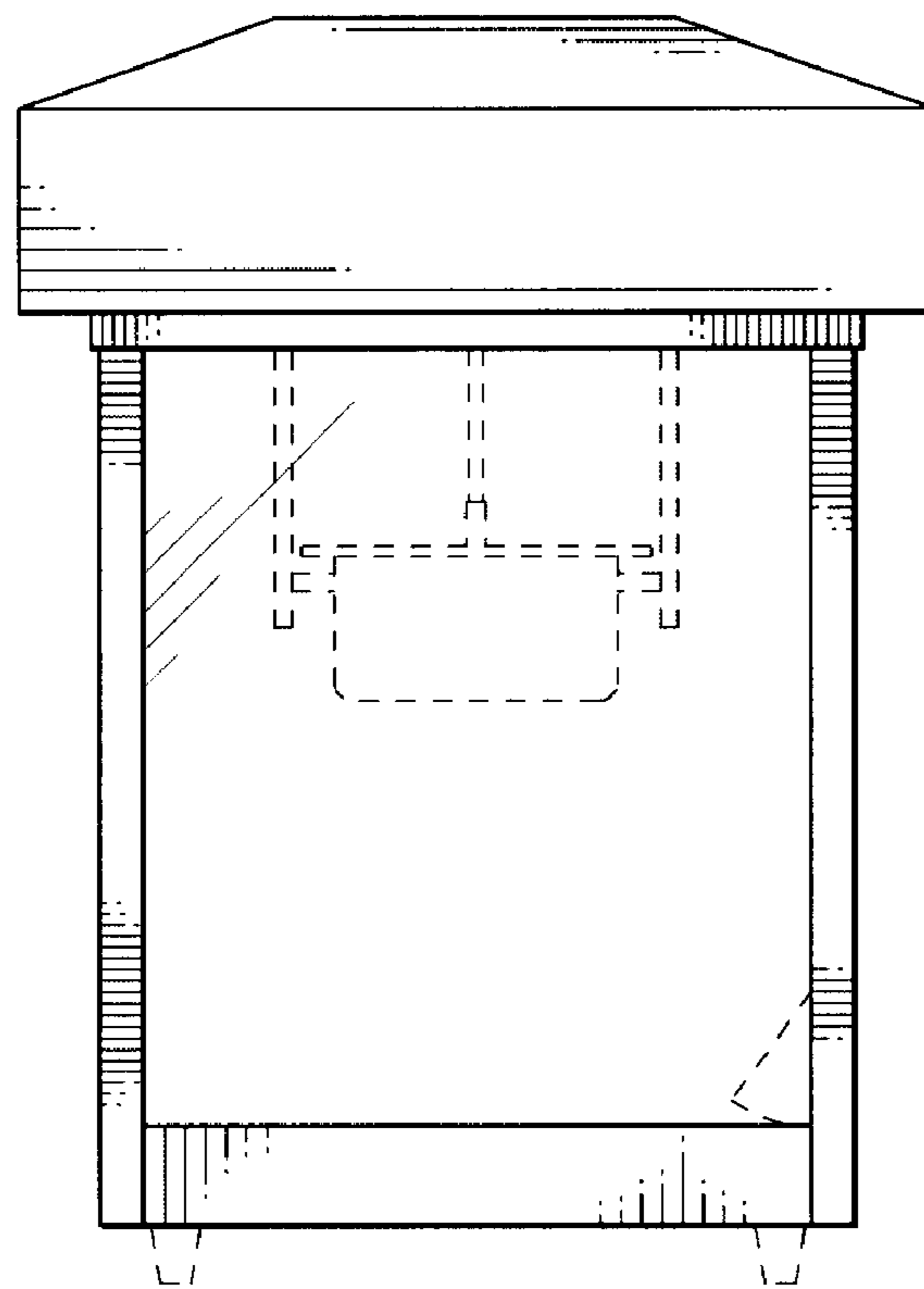


FIG. 3

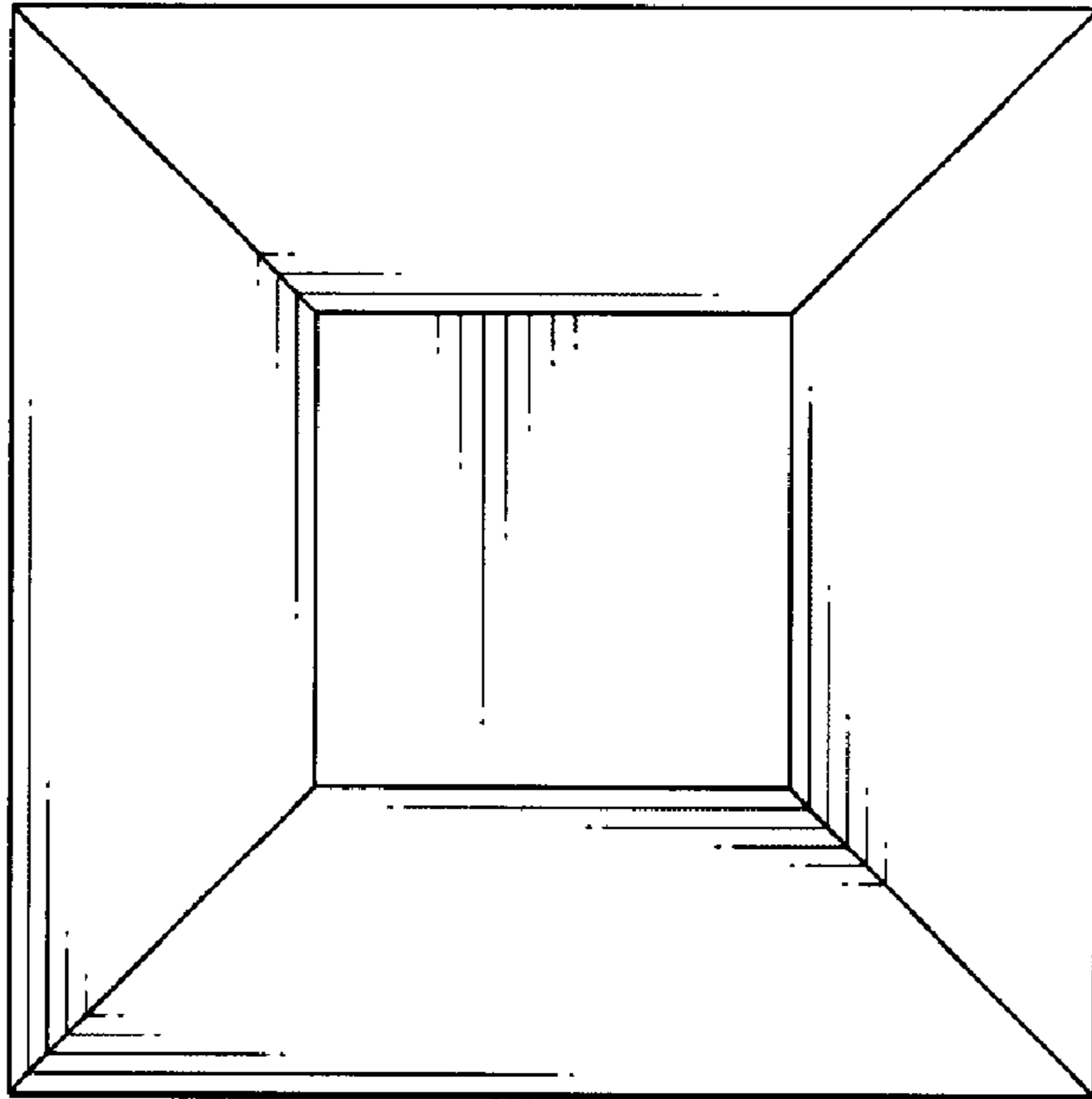


FIG. 4

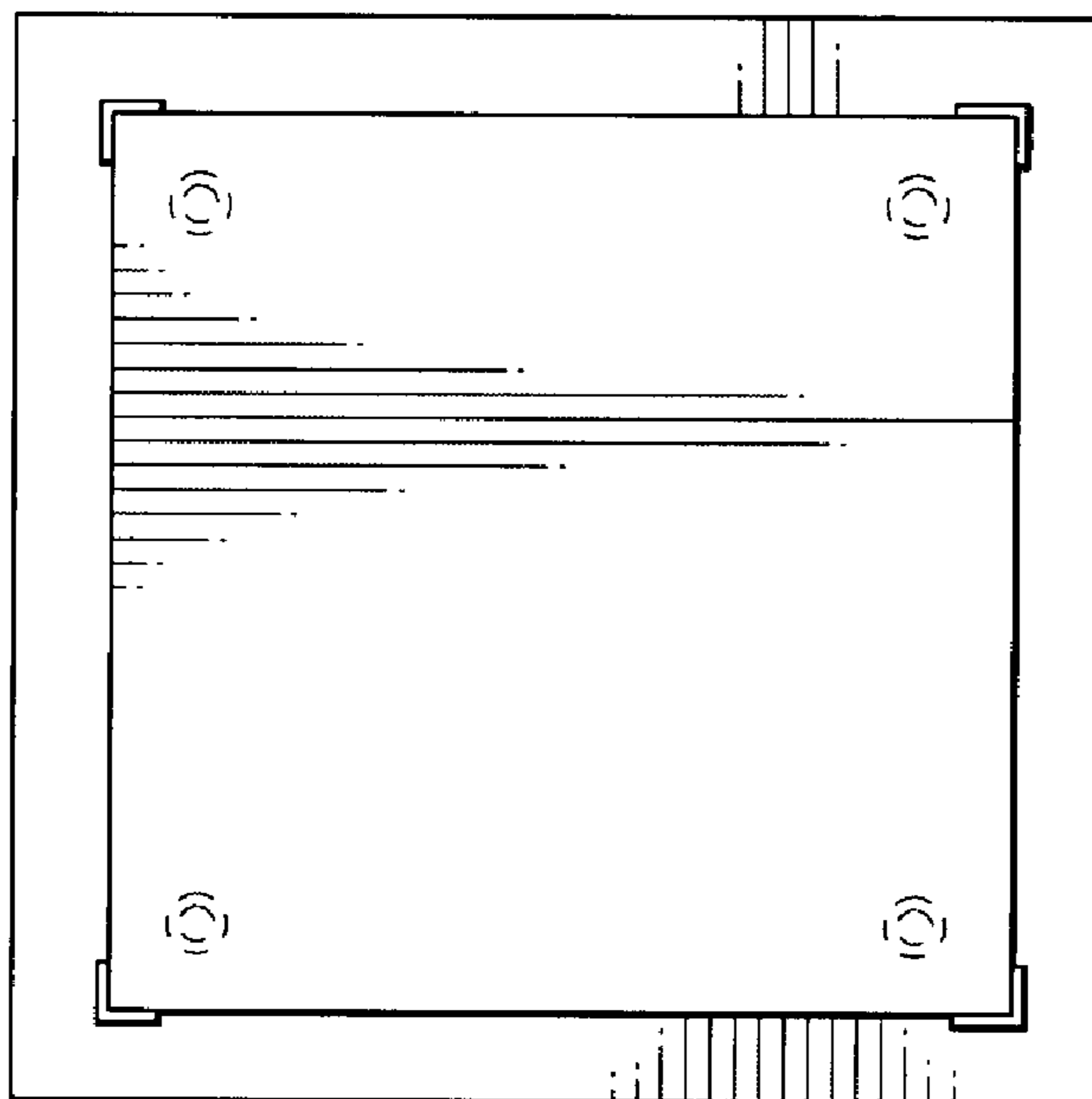


FIG. 5