



US00D528345S

(12) **United States Design Patent**  
**Smaldone**

(10) **Patent No.:** **US D528,345 S**

(45) **Date of Patent:** **\*\* Sep. 19, 2006**

(54) **DOMED TEA KETTLE**

(76) Inventor: **Alfonso Smaldone**, 4099 Ocean Ave.,  
Brooklyn, NY (US) 11235

(\*\*) Term: **14 Years**

(21) Appl. No.: **29/222,547**

(22) Filed: **Jan. 31, 2005**

(51) **LOC (8) Cl.** ..... **07-01**

(52) **U.S. Cl.** ..... **D7/322; D7/321**

(58) **Field of Classification Search** ..... D7/312,  
D7/313, 321, 322, 302; 220/318; 99/275;  
222/500, 469, 471; 116/67 R

See application file for complete search history.

(56) **References Cited**

**U.S. PATENT DOCUMENTS**

D296,068 S	*	6/1988	Yano	.....	D7/322
D308,315 S	*	6/1990	Ancona et al.	.....	D7/322
D316,797 S	*	5/1991	Ancona et al.	.....	D7/322
D336,006 S	*	6/1993	Lebowitz	.....	D7/322
D360,101 S	*	7/1995	Lee	.....	D7/322
D364,991 S	*	12/1995	Lee	.....	D7/322
5,490,616 A	*	2/1996	Stowell et al.	.....	222/472
D381,859 S	*	8/1997	Joergensen	.....	D7/322
D396,988 S	*	8/1998	Lien	.....	D7/322
D407,943 S	*	4/1999	Chen	.....	D7/322
6,006,959 A	*	12/1999	Naden et al.	.....	222/469

D428,758 S	*	8/2000	Santiago et al.	.....	D7/322
D442,015 S	*	5/2001	Doret, Jr.	.....	D7/322
D448,963 S	*	10/2001	Shim	.....	D7/322
D459,937 S	*	7/2002	Thurlow et al.	.....	D7/322
6,540,120 B1	*	4/2003	Lebowitz	.....	222/471
D478,243 S	*	8/2003	Lebowitz	.....	D7/322
D478,768 S	*	8/2003	Belton	.....	D7/322
D502,356 S	*	3/2005	Smaldone	.....	D7/322
D504,273 S	*	4/2005	Ancona	.....	D7/322
D511,648 S	*	11/2005	Henderson	.....	D7/397

\* cited by examiner

*Primary Examiner*—M. N. Pandozzi

(74) *Attorney, Agent, or Firm*—Steven Horowitz

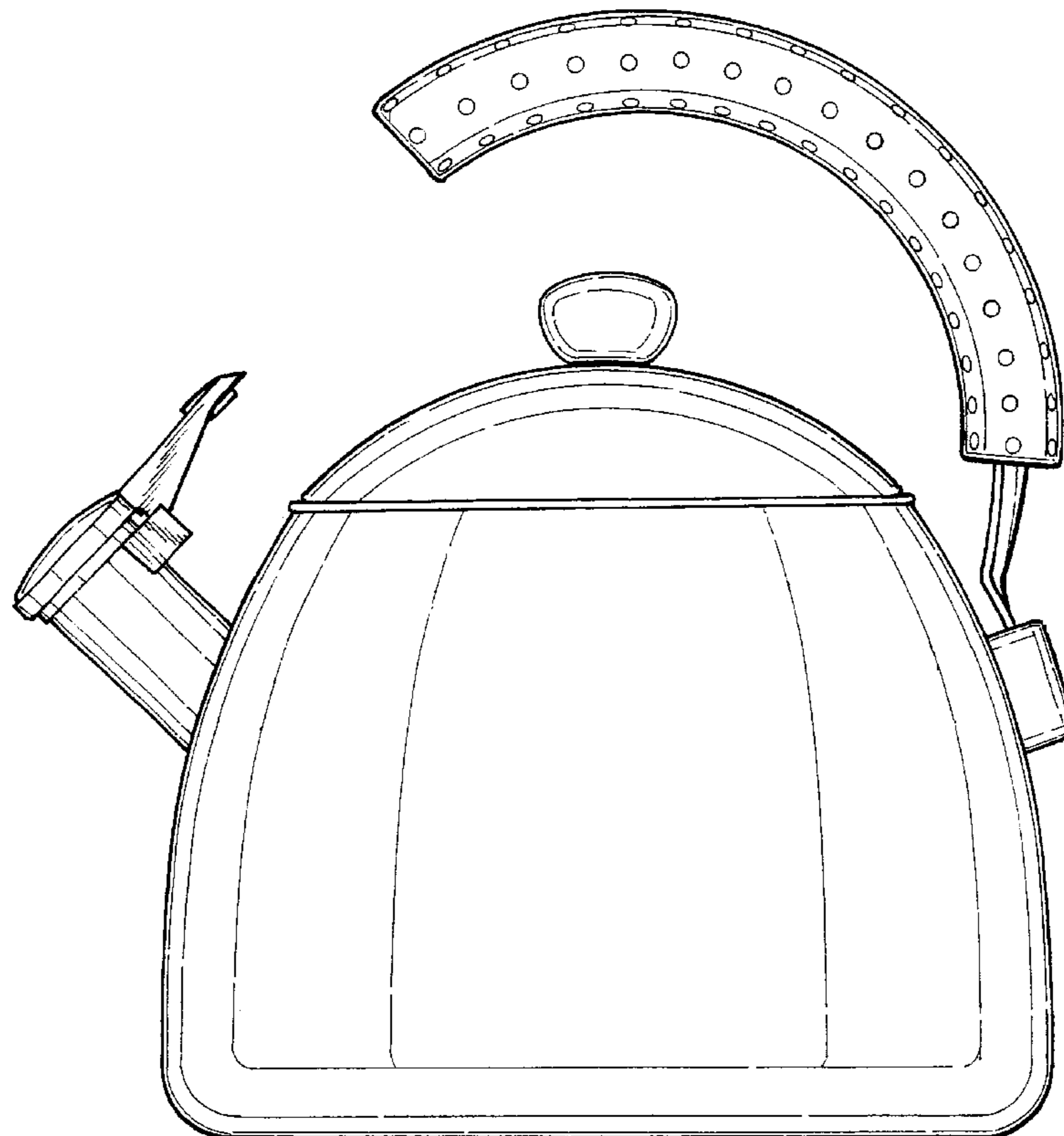
(57) **CLAIM**

The ornamental design for a domed tea kettle, as shown and described.

**DESCRIPTION**

FIG. 1 is a left side view of the tea kettle of the present invention showing my new design;  
FIG. 2 is a front view thereof;  
FIG. 3 is a right side view thereof;  
FIG. 4 is a rear view thereof;  
FIG. 5 is a top view thereof;  
FIG. 6 is a bottom view thereof; and,  
FIG. 7 is a perspective view thereof.

**1 Claim, 4 Drawing Sheets**



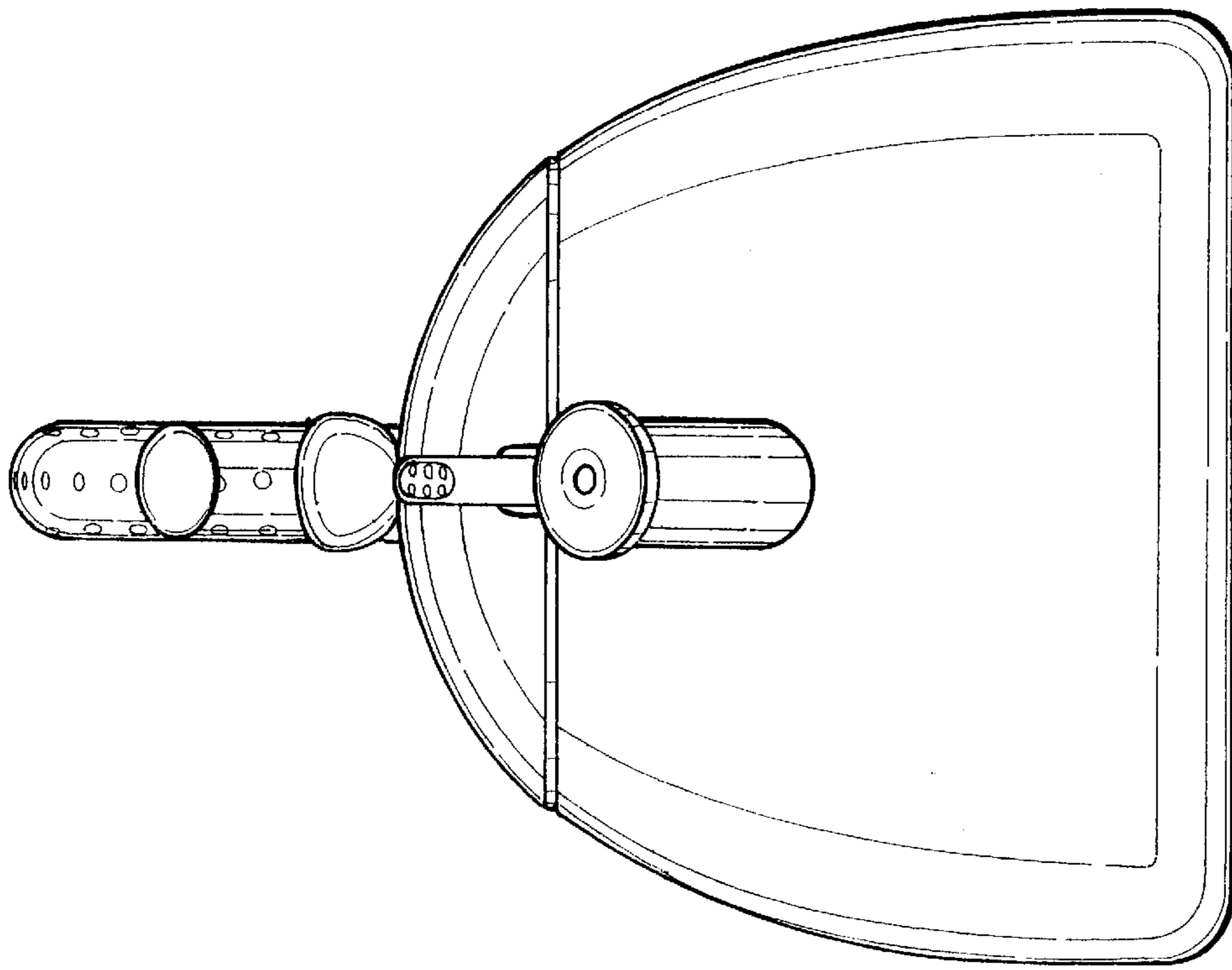


FIG. 2

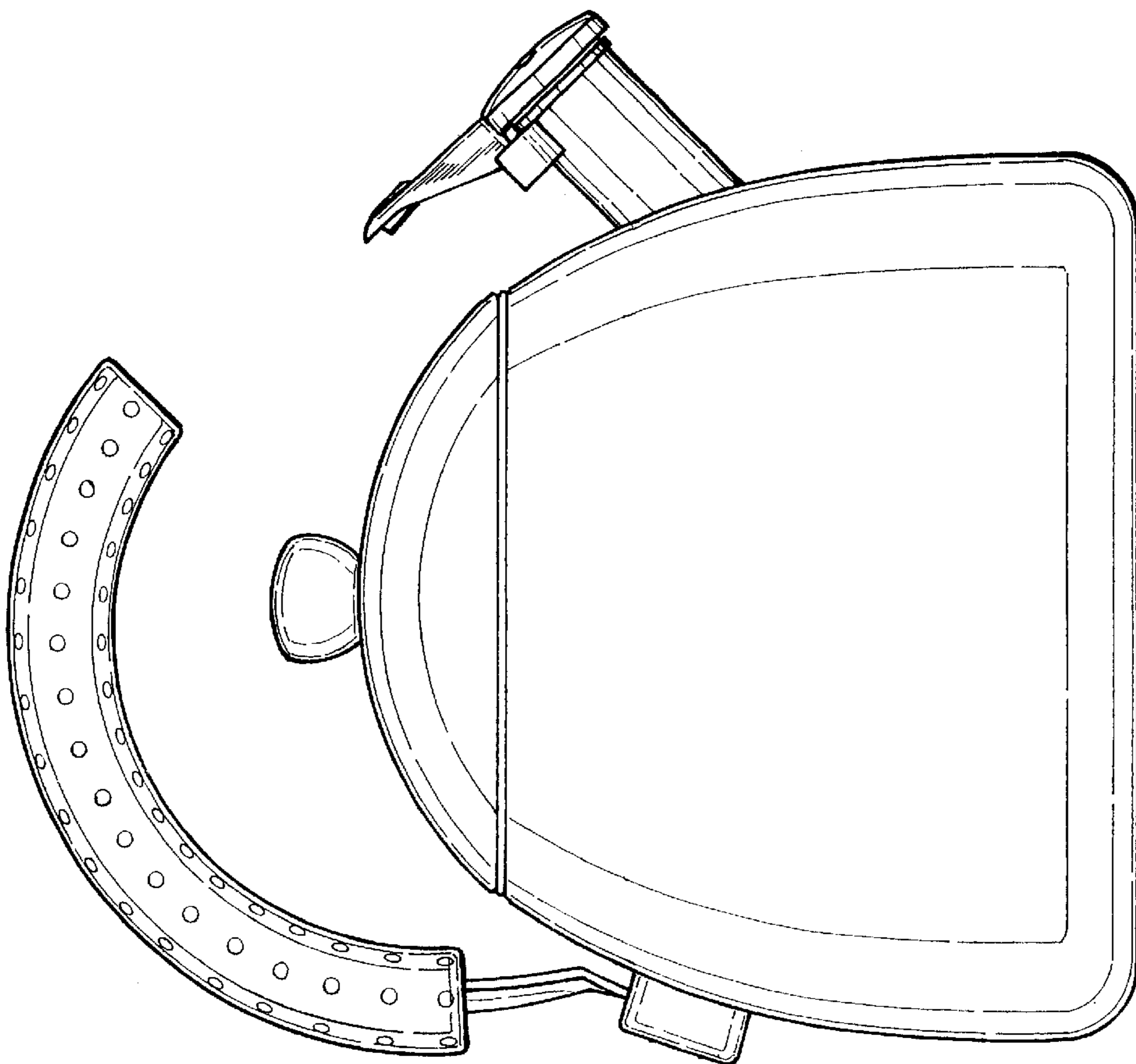


FIG. 1

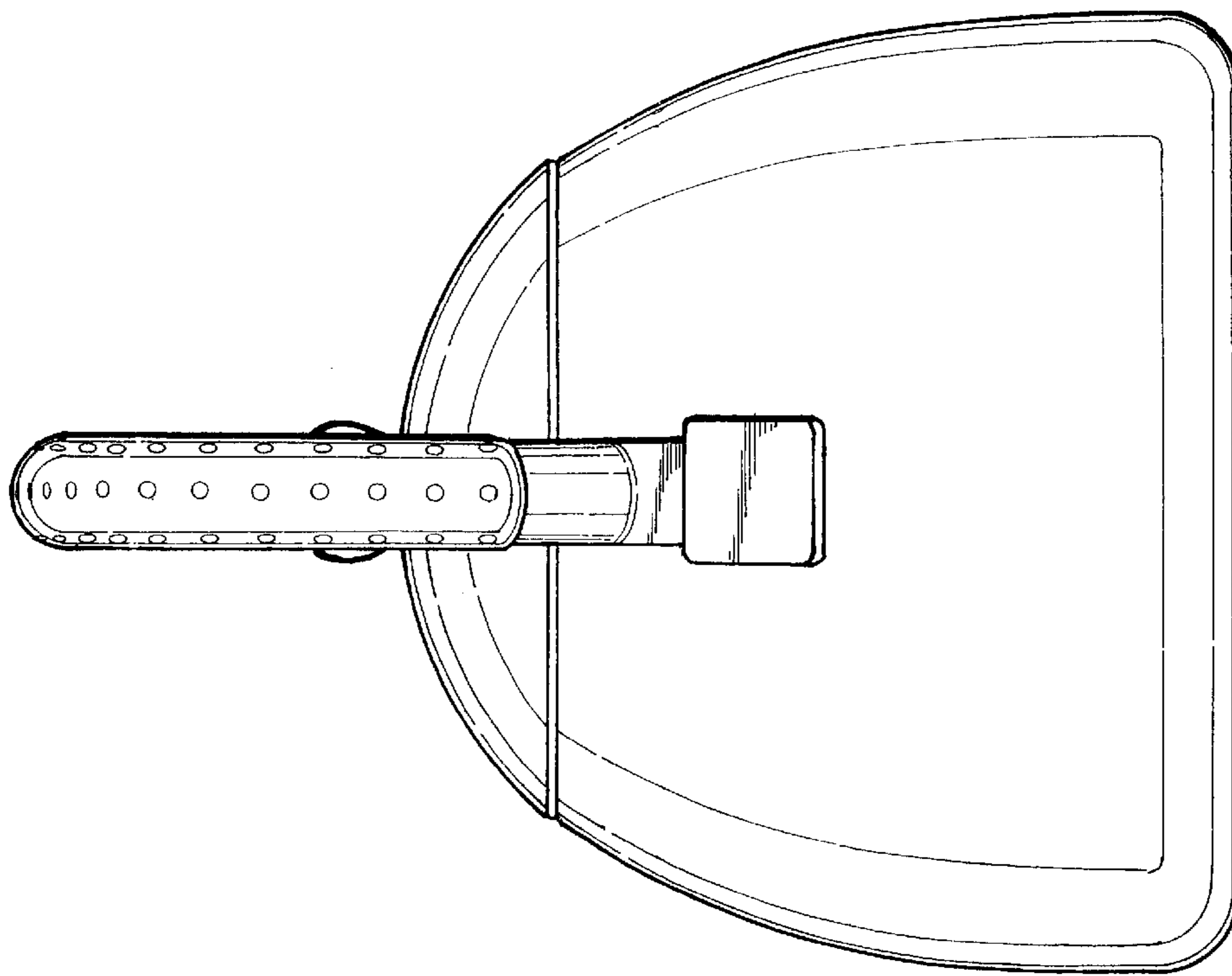


FIG. 4

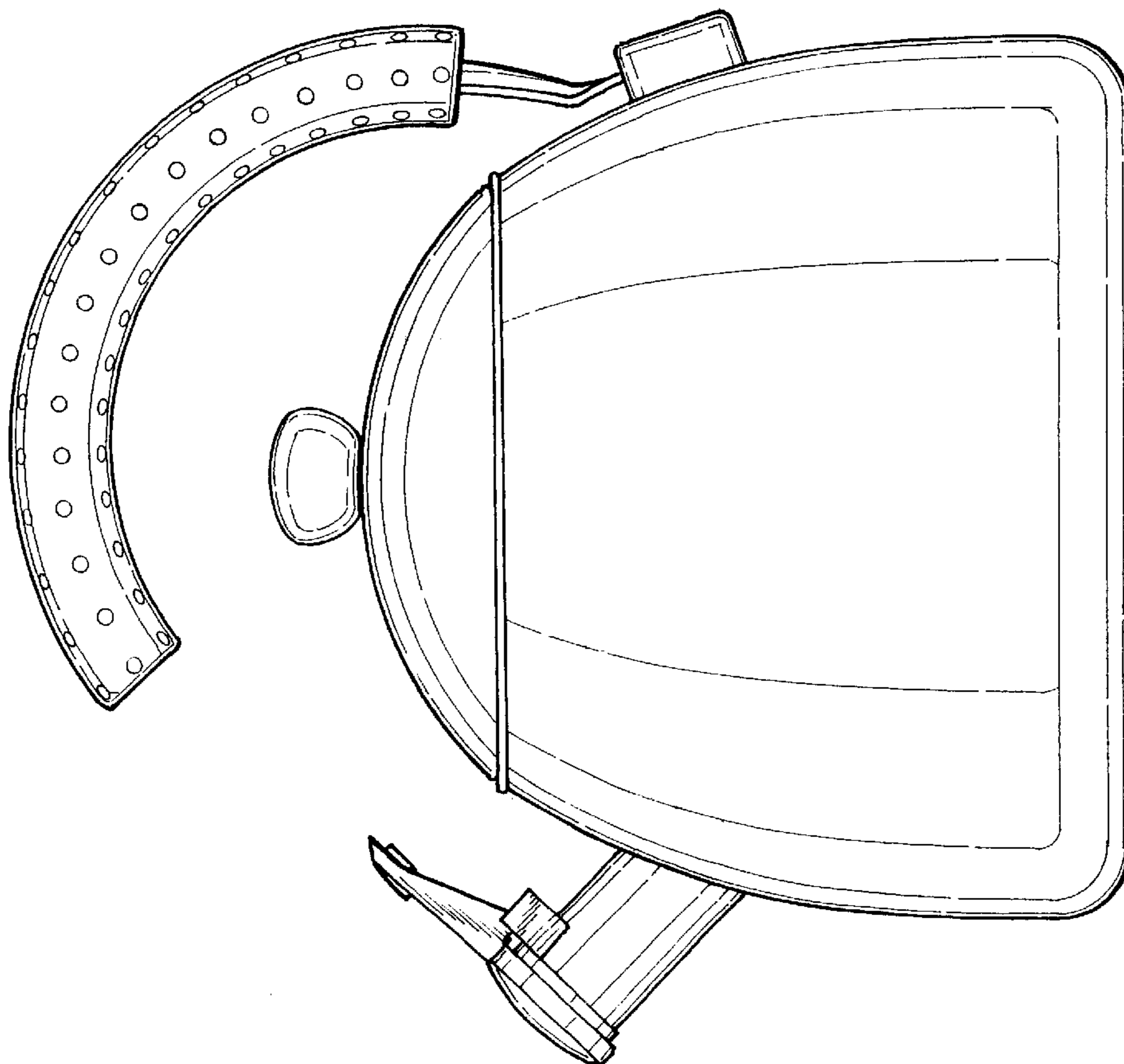


FIG. 3

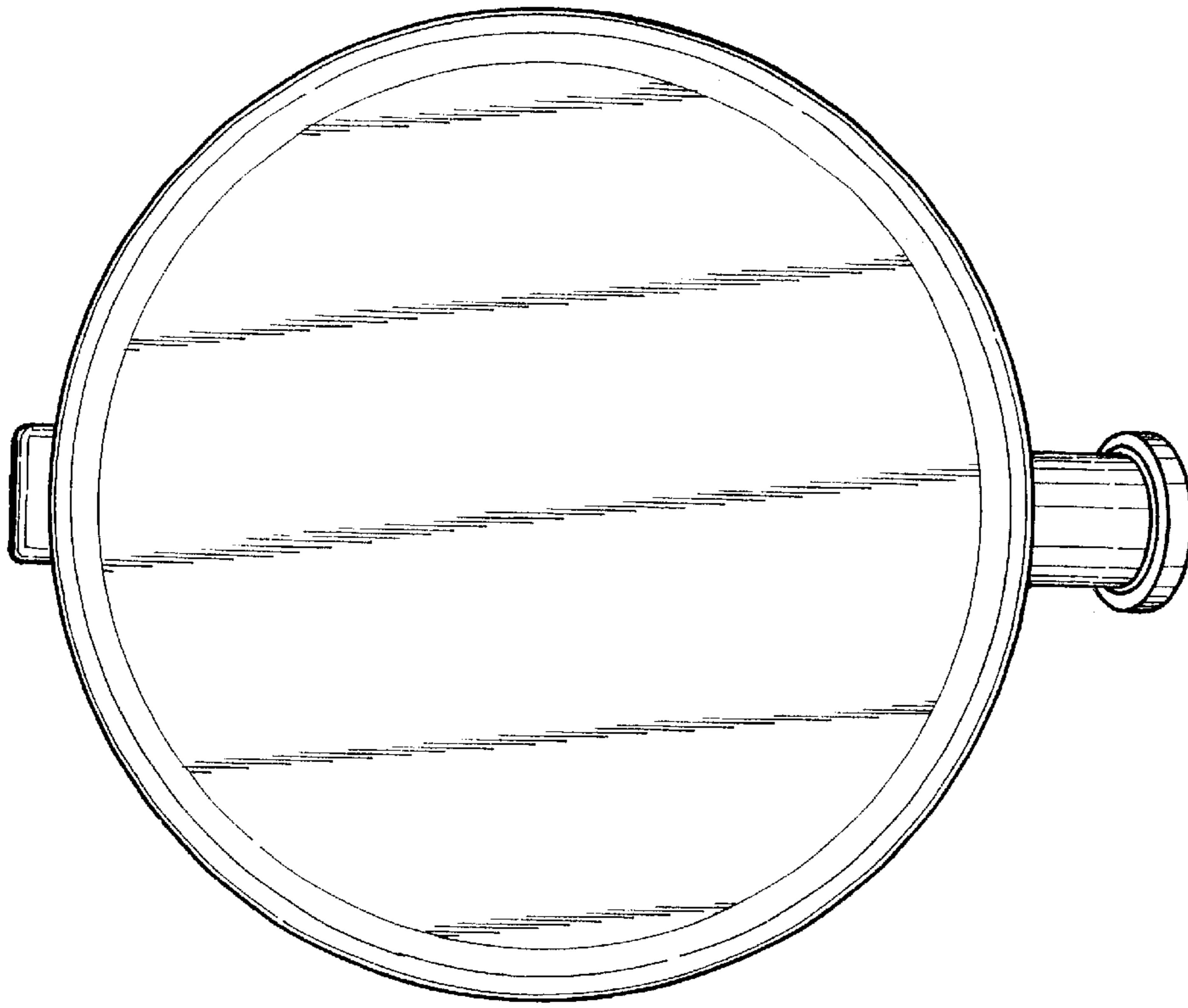


FIG. 6

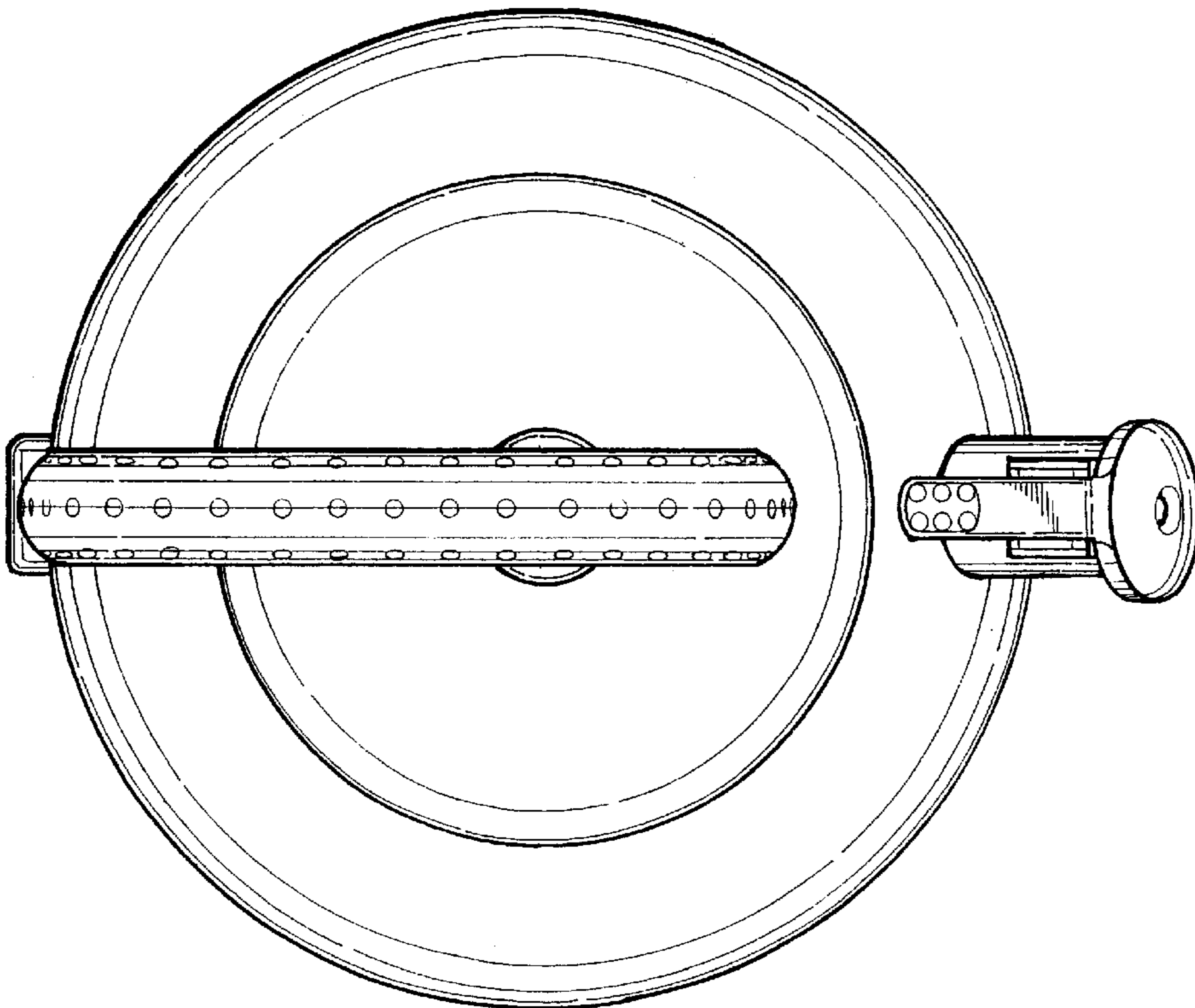


FIG. 5

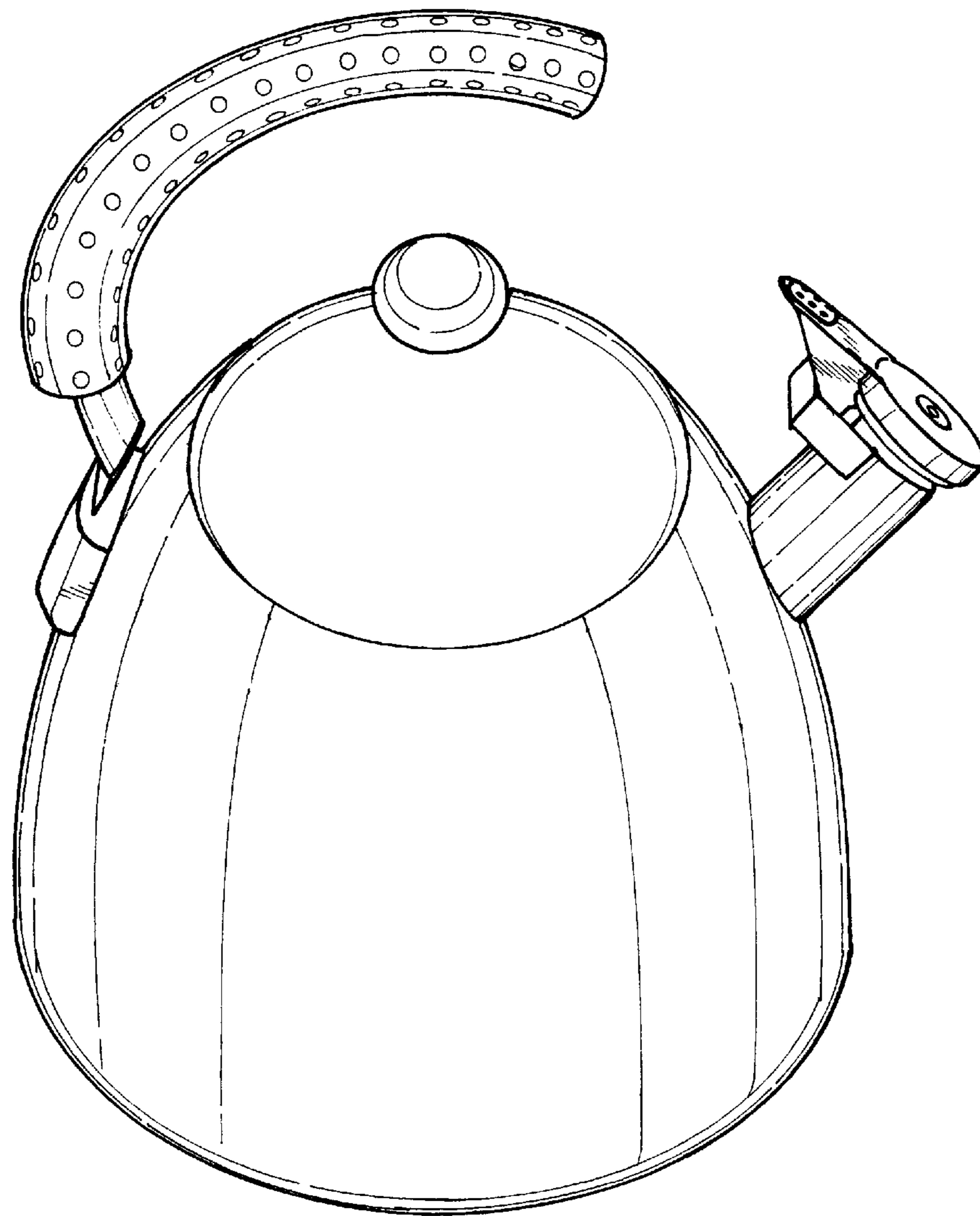


FIG. 7