



US00D528344S

(12) **United States Design Patent**  
**Mika et al.**

(10) **Patent No.: US D528,344 S**  
(45) **Date of Patent: \*\* Sep. 19, 2006**

(54) **WATER COOLER WITH RETRACTABLE LEGS**

6,578,802 B1 \* 6/2003 Thier ..... 248/151  
6,776,378 B1 \* 8/2004 Yu ..... 248/146

(76) Inventors: **Timothy D. Mika**, 919 S. 14th Pl.,  
Rogers, Arkansas, AR (US) 72758;  
**Stephen J. Bowman**, 1109 Oriole Ave.,  
Rogers, Arkansas, AR (US) 72756

\* cited by examiner

*Primary Examiner*—M. N. Pandozzi  
(74) *Attorney, Agent, or Firm*—Stephen D. Carver

(\*\*) Term: **14 Years**

(57) **CLAIM**

The ornamental design for a water cooler with retractable legs, as shown and described.

(21) Appl. No.: **29/227,049**

(22) Filed: **Apr. 6, 2005**

**DESCRIPTION**

(51) **LOC (8) Cl.** ..... **07-01**

(52) **U.S. Cl.** ..... **D7/307; D7/313; D7/312**

(58) **Field of Classification Search** ..... D7/606,  
D7/301, 397, 605, 313, 306, 307, 308, 312,  
D7/309, 300; 220/288, 623, 4.04; 248/146;  
62/3.6, 388; 222/146.1, 129.1, 486; 99/279;  
D15/80; D34/39; D9/633; D23/205  
See application file for complete search history.

FIG. 1 is a top front perspective view of a water cooler with retractable legs showing our new design with the legs deployed;

FIG. 2 is a top plan view thereof;

FIG. 3 is a front elevational view thereof;

FIG. 4 is a right side elevational view thereof;

FIG. 5 is a rear plan view thereof;

FIG. 6 is a bottom isometric view thereof;

FIG. 7 is a left side elevational view thereof;

FIG. 8 is an enlarged top front perspective view of a water cooler with retractable legs with the legs retracted;

FIG. 9 is an enlarged bottom perspective view thereof;

FIG. 10 is an enlarged top perspective view thereof;

FIG. 11 is an enlarged rear view thereof; and,

FIG. 12 is an enlarged top plan view thereof.

(56) **References Cited**

**U.S. PATENT DOCUMENTS**

861,093 A \* 7/1907 Cordley ..... 248/150  
1,023,181 A \* 4/1912 Uhl ..... 248/150  
6,058,733 A \* 5/2000 Morgan ..... 62/389  
6,349,906 B1 \* 2/2002 Anderson ..... 248/146  
6,517,036 B1 \* 2/2003 Ramirez, Jr. .... 248/150

**1 Claim, 12 Drawing Sheets**

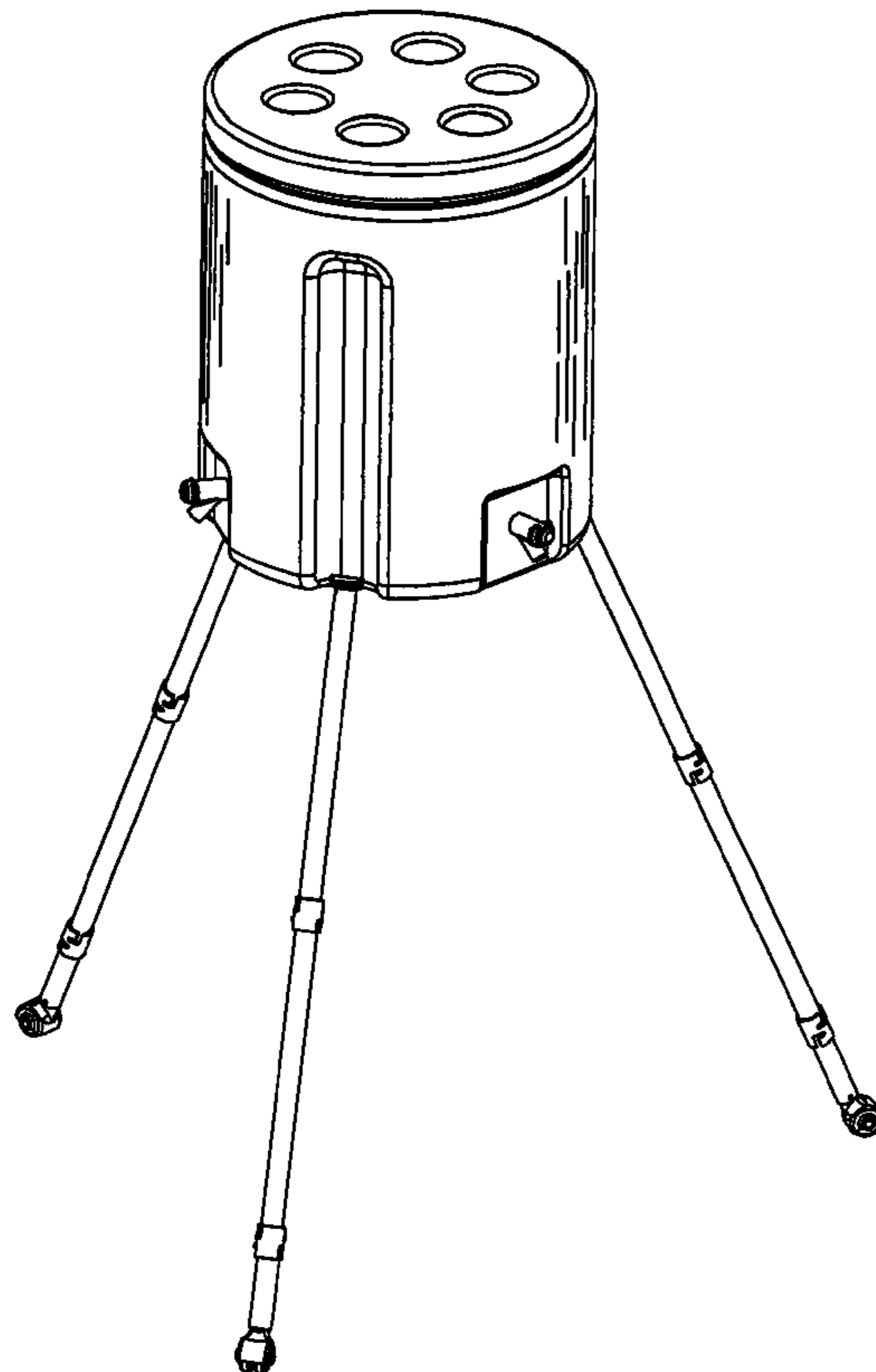


Fig. 1

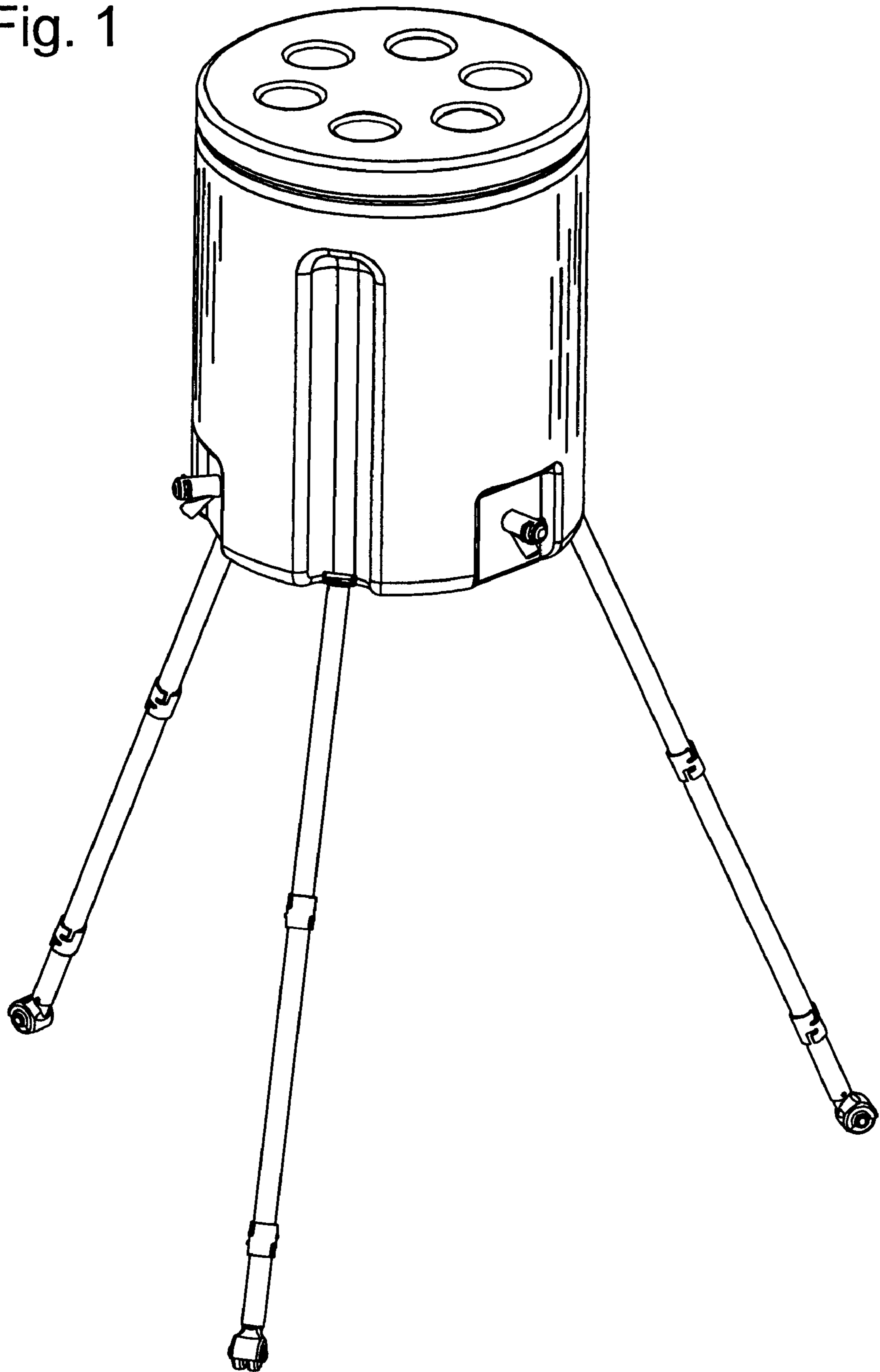


Fig. 2

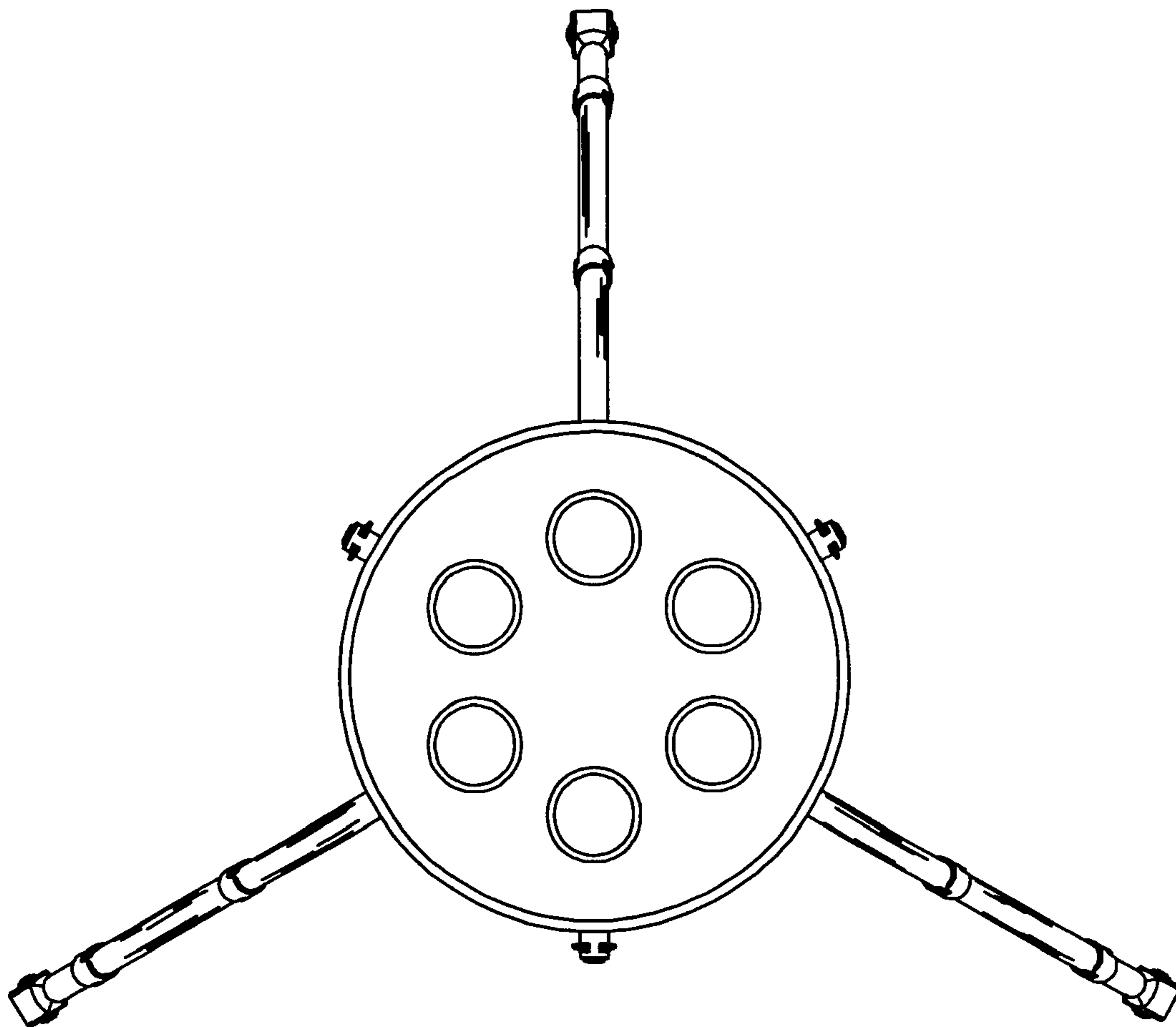


Fig. 3

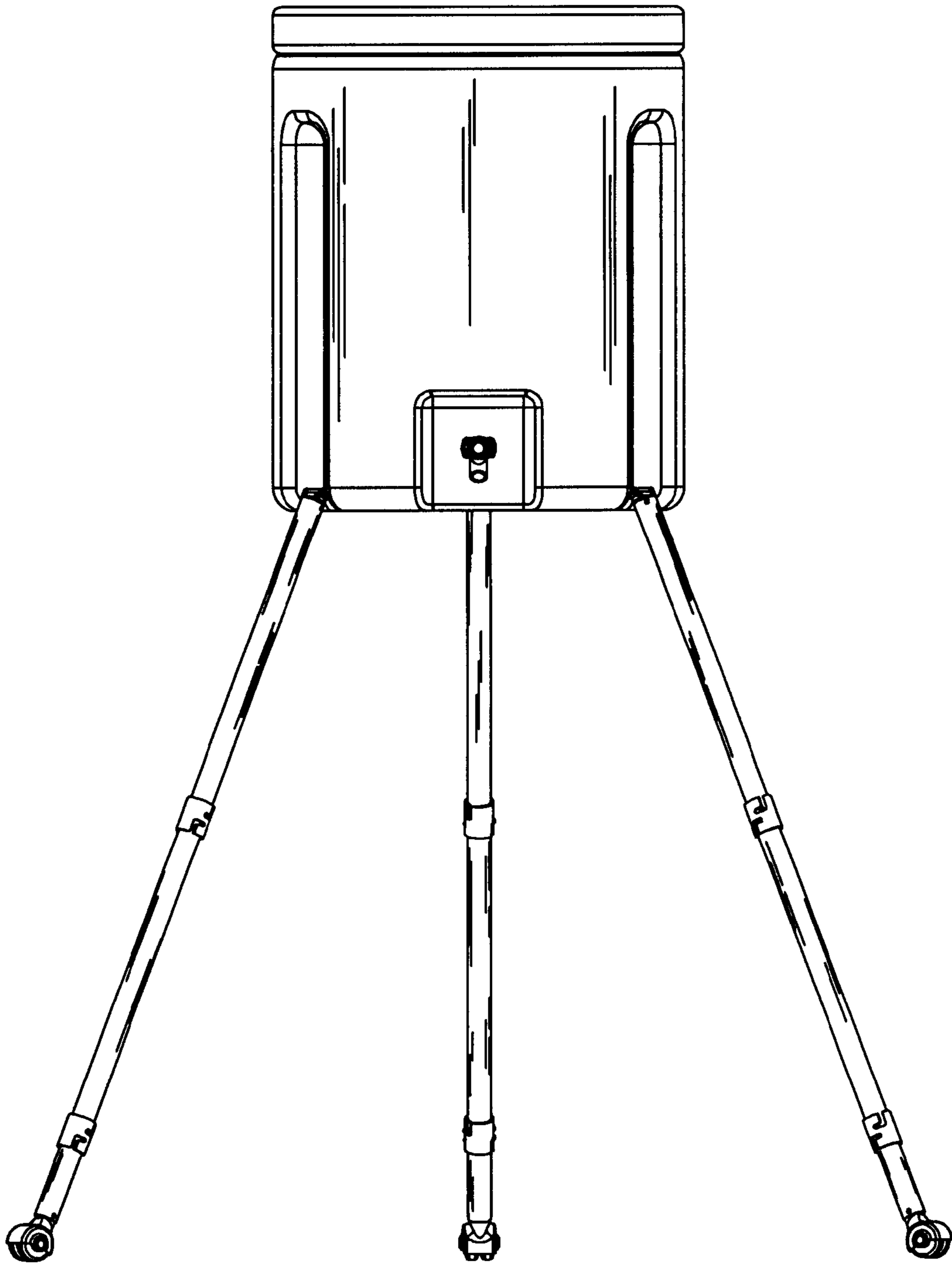


Fig. 4

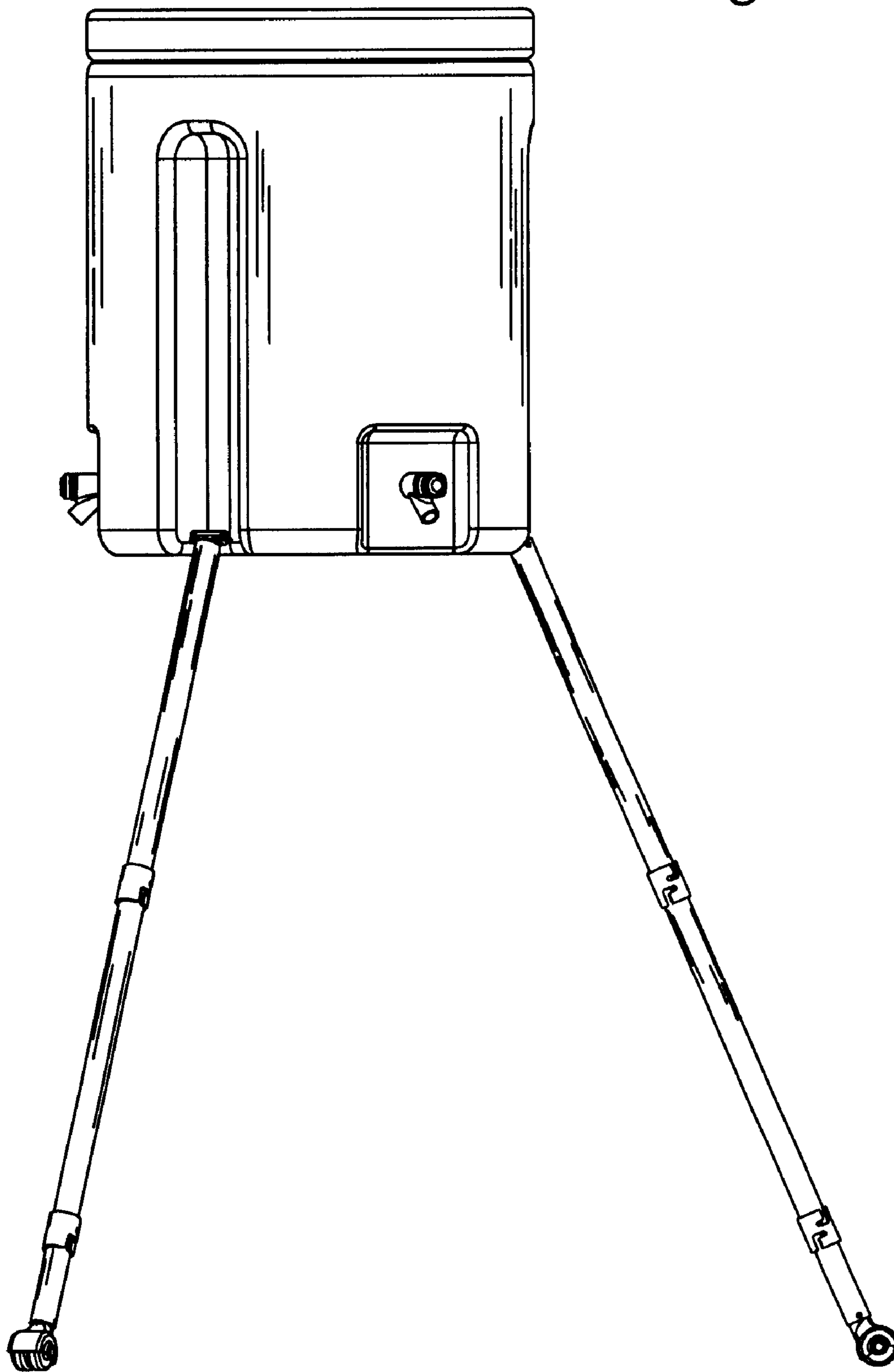


Fig. 5

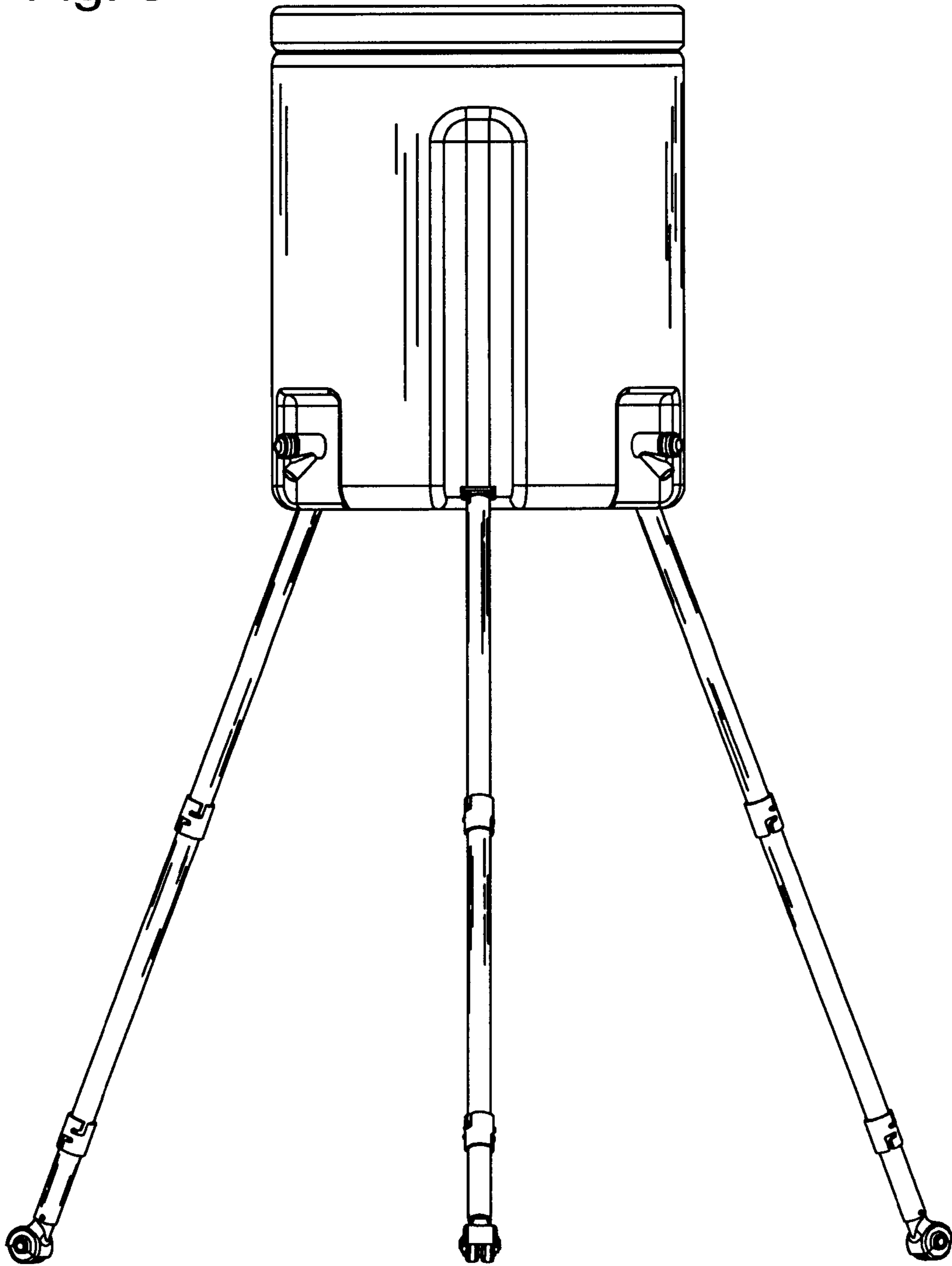
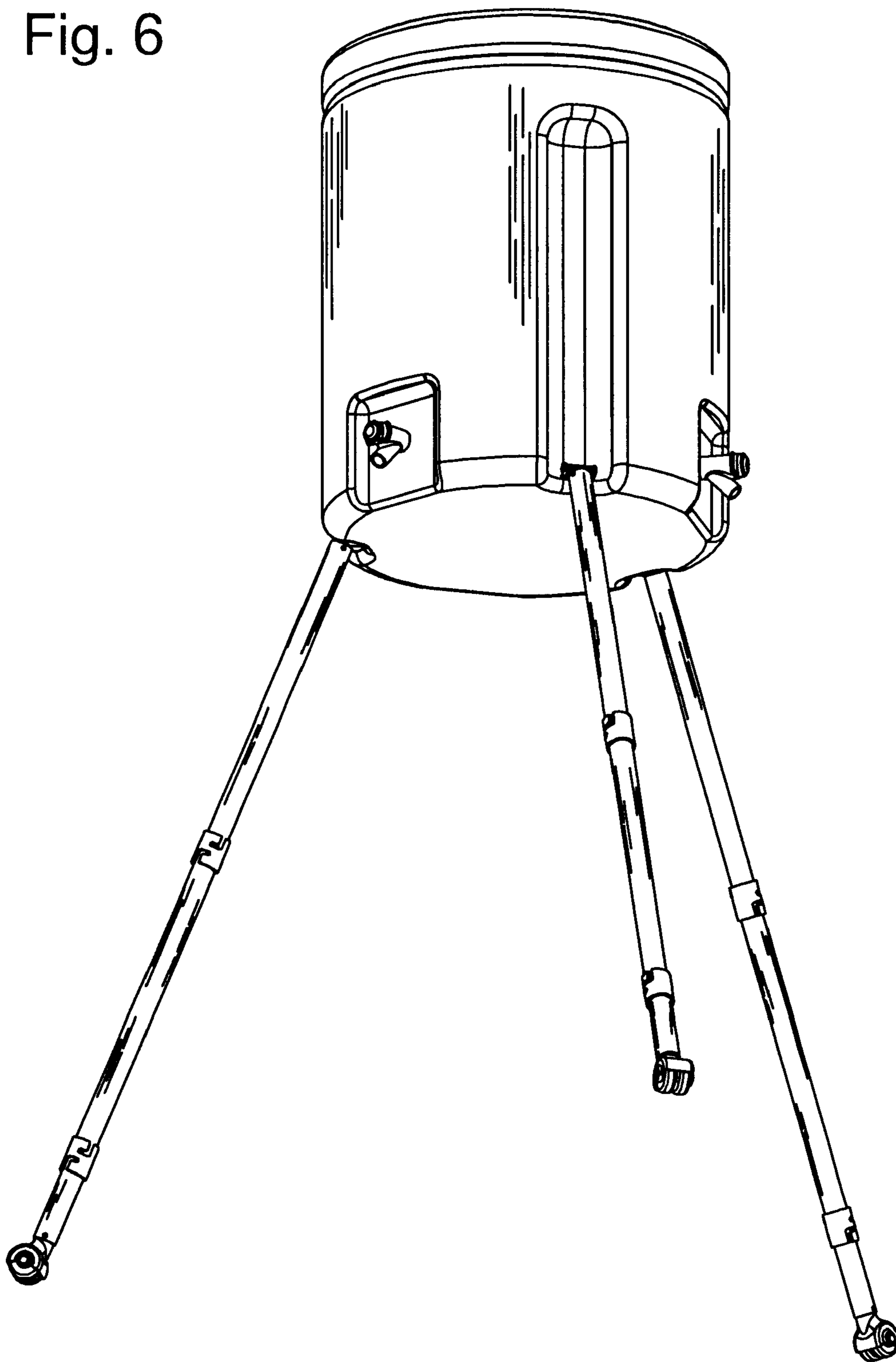


Fig. 6





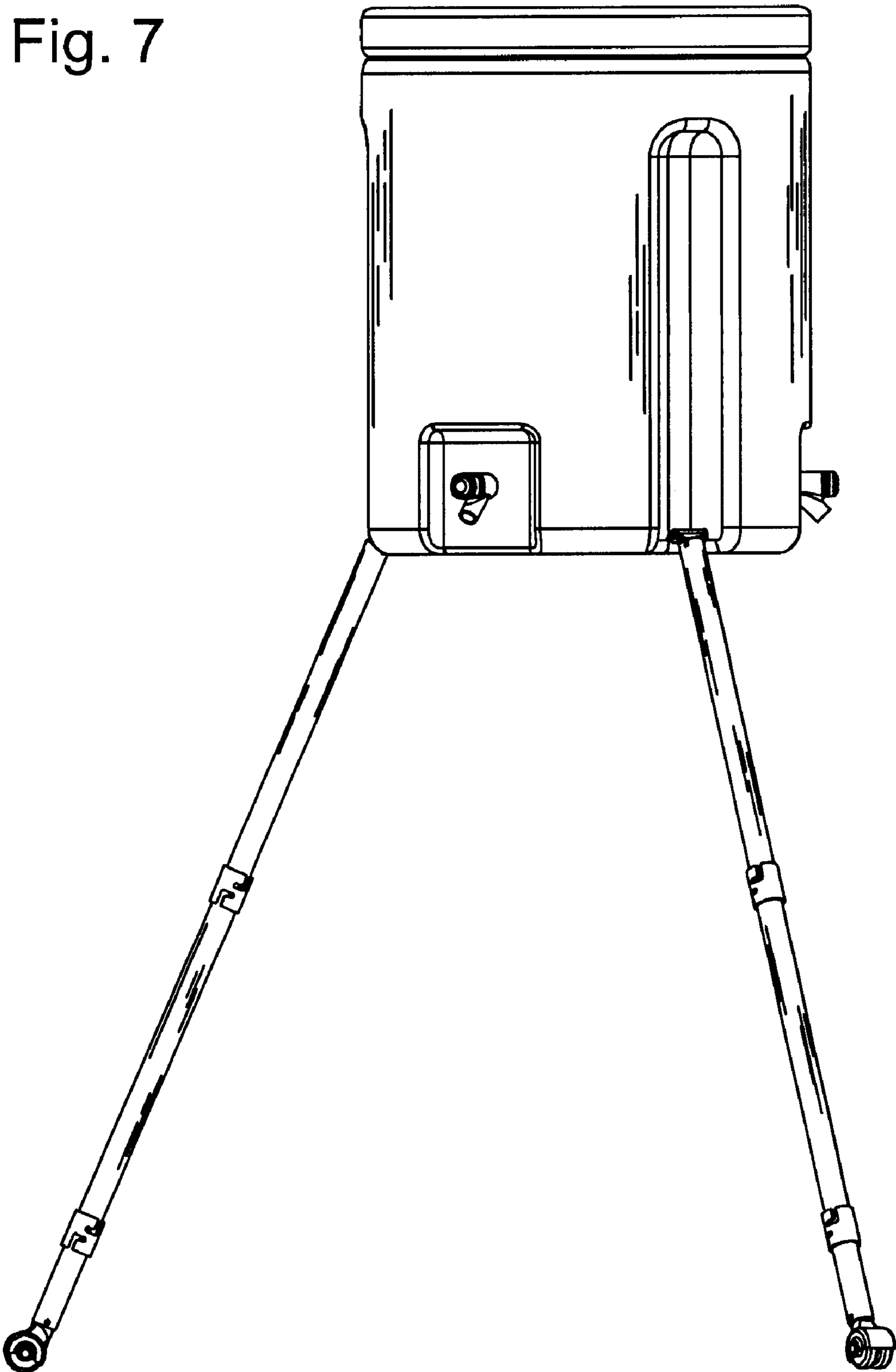




Fig. 8

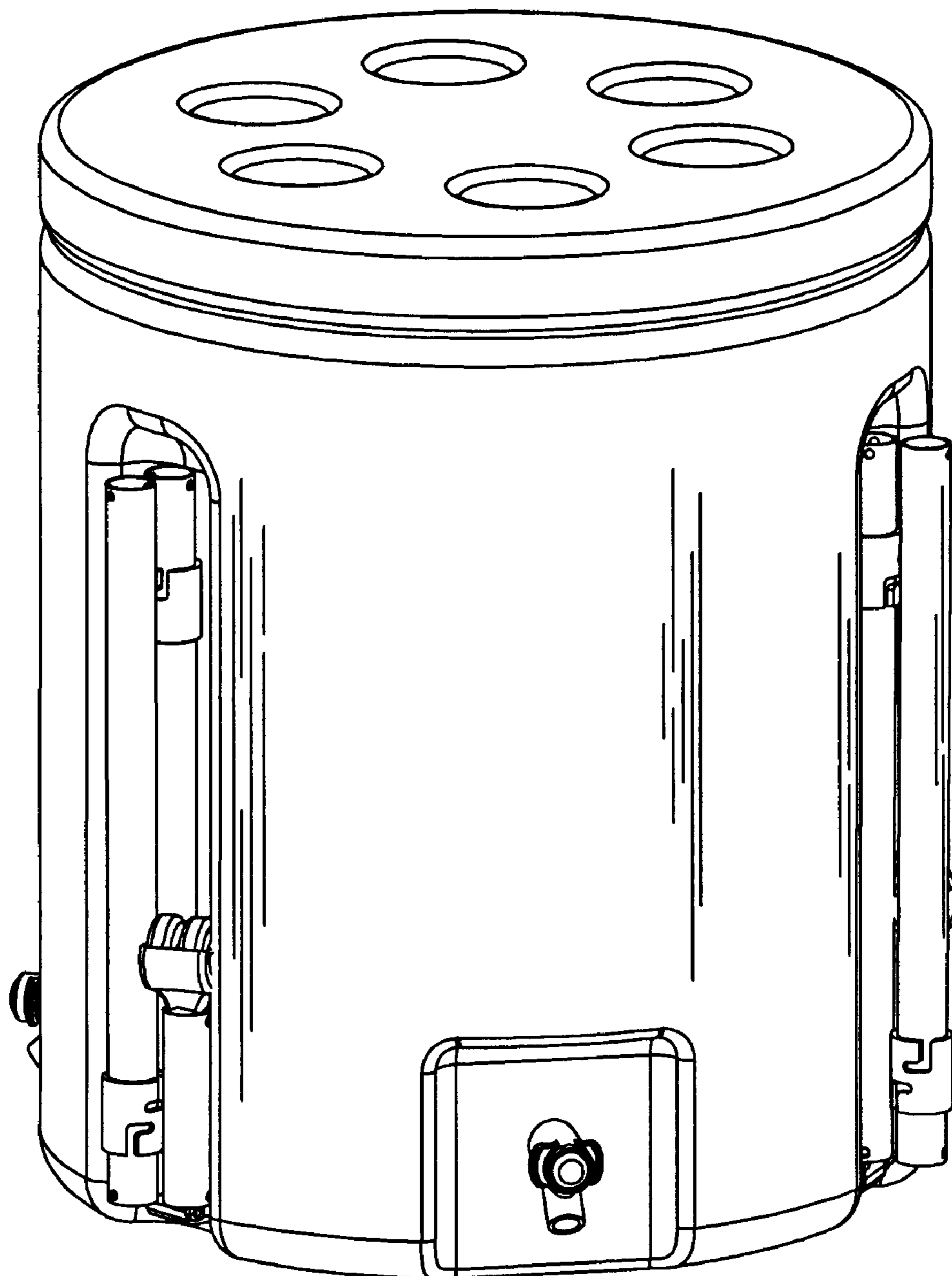


Fig. 9

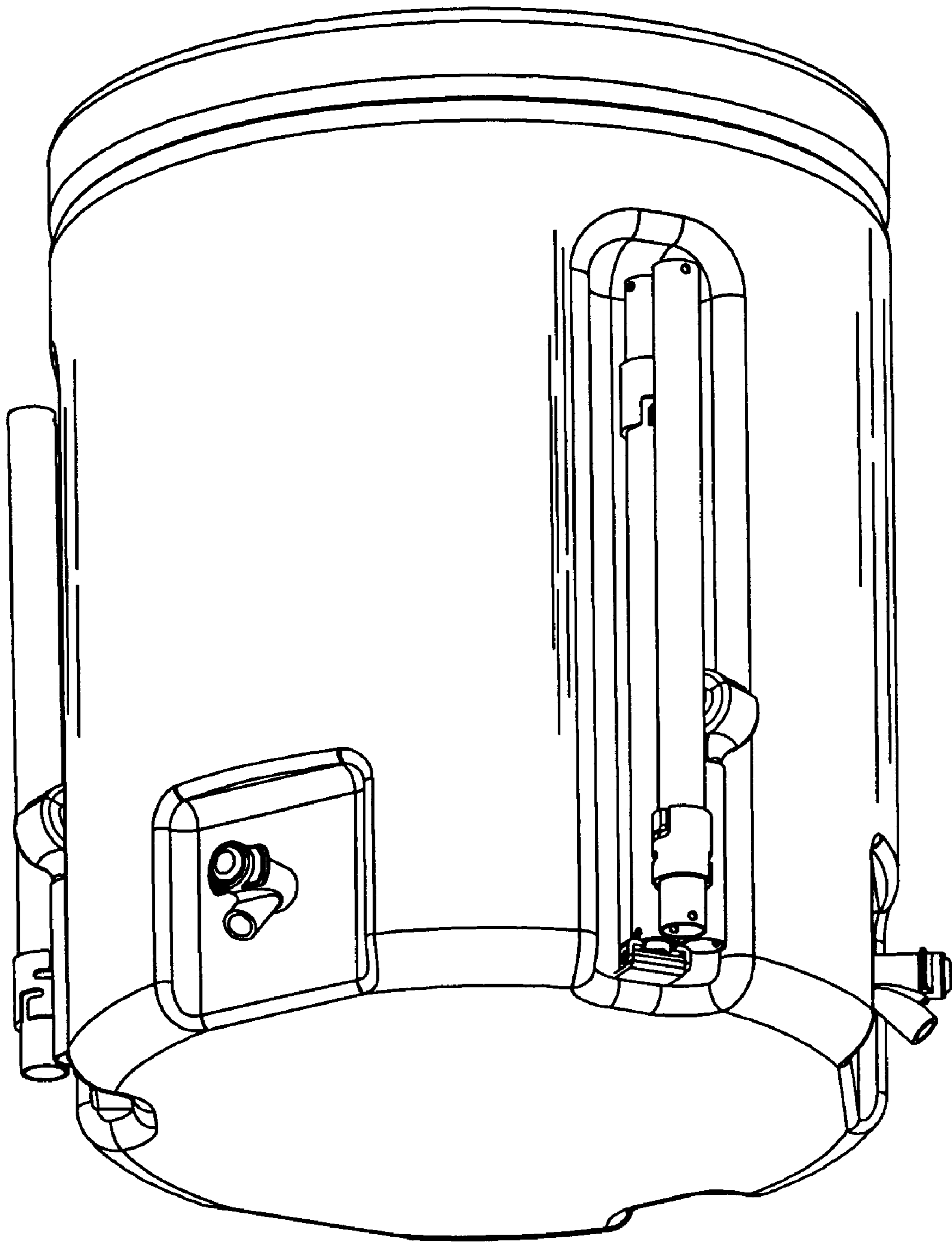


Fig. 10

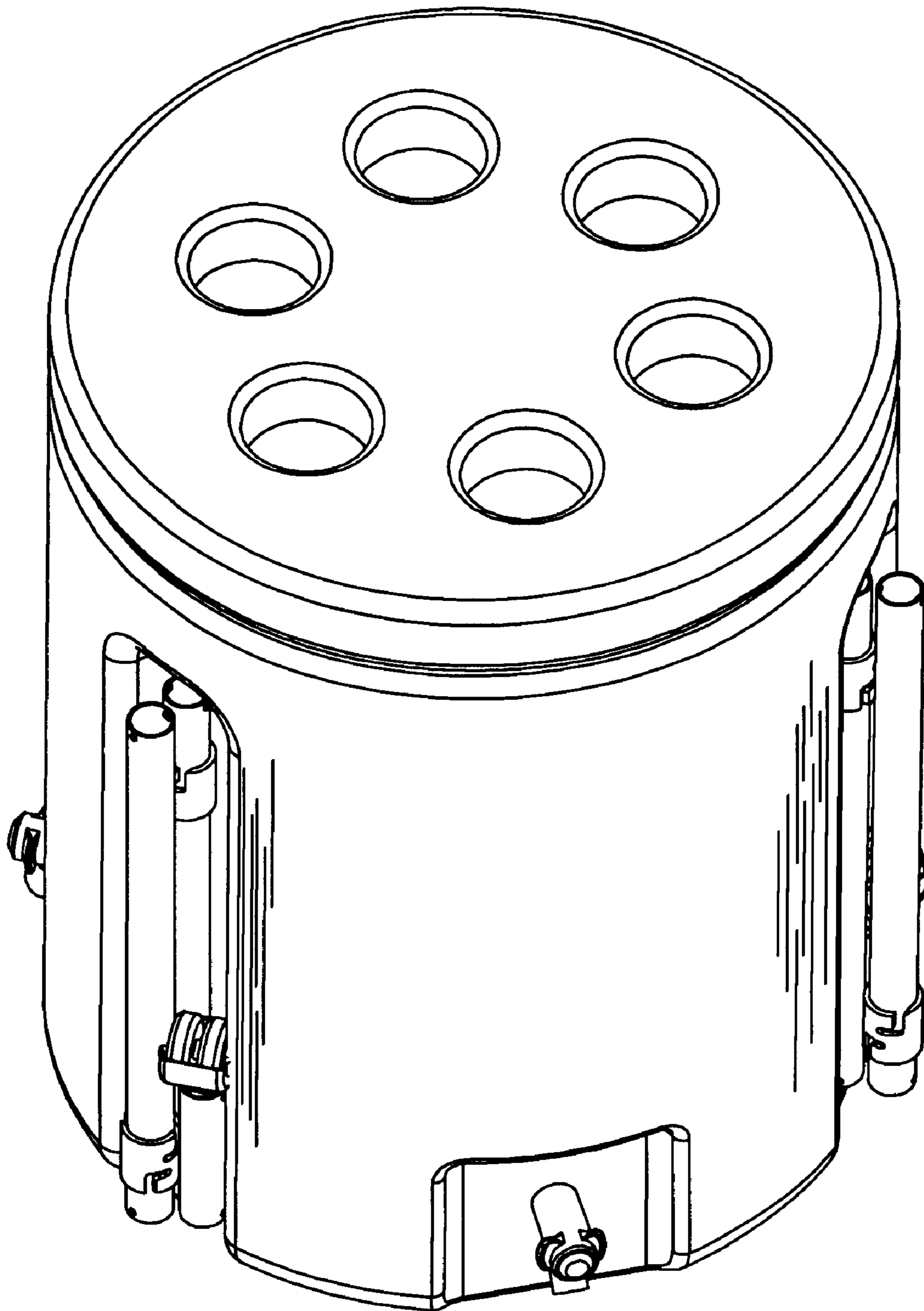


Fig. 11

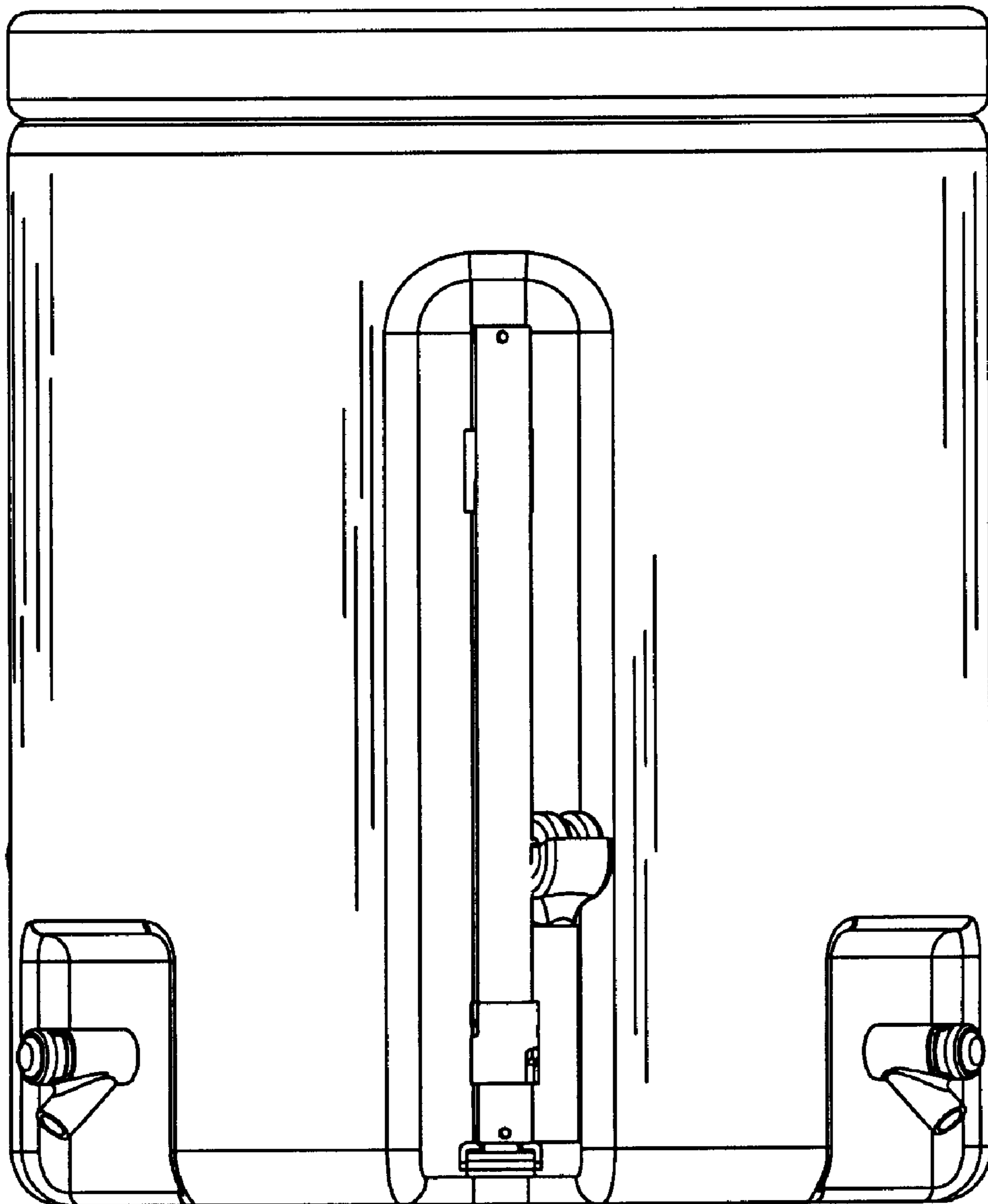


Fig. 12

