



US00D528343S

(12) **United States Design Patent**
Ham

(10) **Patent No.:** **US D528,343 S**

(45) **Date of Patent:** **** Sep. 19, 2006**

(54) **COFFEE MAKER**

(75) **Inventor:** **Jung-Sik Ham, Seoul (KR)**

(73) **Assignee:** **Hwasung Stainless IND Co., Ltd. (KR)**

(**) **Term:** **14 Years**

(21) **Appl. No.:** **29/213,354**

(22) **Filed:** **Sep. 16, 2004**

(30) **Foreign Application Priority Data**

Apr. 9, 2004 (KR) 30-2004-0010123

(51) **LOC (8) Cl.** **07-01**

(52) **U.S. Cl.** **D7/306; D7/313**

(58) **Field of Classification Search** D7/606,
D7/301, 397, 605, 313, 306, 307, 308, 312,
D7/309; 220/288, 623, 4.04; 248/146; 62/3.64,
62/388; 222/146.1, 129.1, 486; 99/279; D15/80;
D34/39; D9/633; D23/205

See application file for complete search history.

(56) **References Cited**

U.S. PATENT DOCUMENTS

992,921 A * 5/1911 Stevens 62/319

D83,687 S * 3/1931 Macready D7/306
D198,597 S * 7/1964 Gram D7/300
D203,709 S * 2/1966 Yamasaki D7/313
3,910,461 A * 10/1975 Eager 222/131
D248,717 S * 8/1978 Little D7/313
4,978,023 A * 12/1990 Behlmann et al. 220/23.6
6,912,867 B1 * 7/2005 Busick 62/338

* cited by examiner

Primary Examiner—M. N. Pandozzi

(74) *Attorney, Agent, or Firm*—St. Onge Steward Johnston & Reens, LLC

(57) **CLAIM**

The ornamental design for a coffee maker, as shown and described.

DESCRIPTION

FIG. 1 is a front perspective view of a coffee maker in accordance with the new design;
FIG. 2 is a front view thereof;
FIG. 3 is a rear view thereof;
FIG. 4 is a left side view thereof;
FIG. 5 is a right side view thereof;
FIG. 6 is a top view thereof; and,
FIG. 7 is a bottom view thereof.

1 Claim, 4 Drawing Sheets

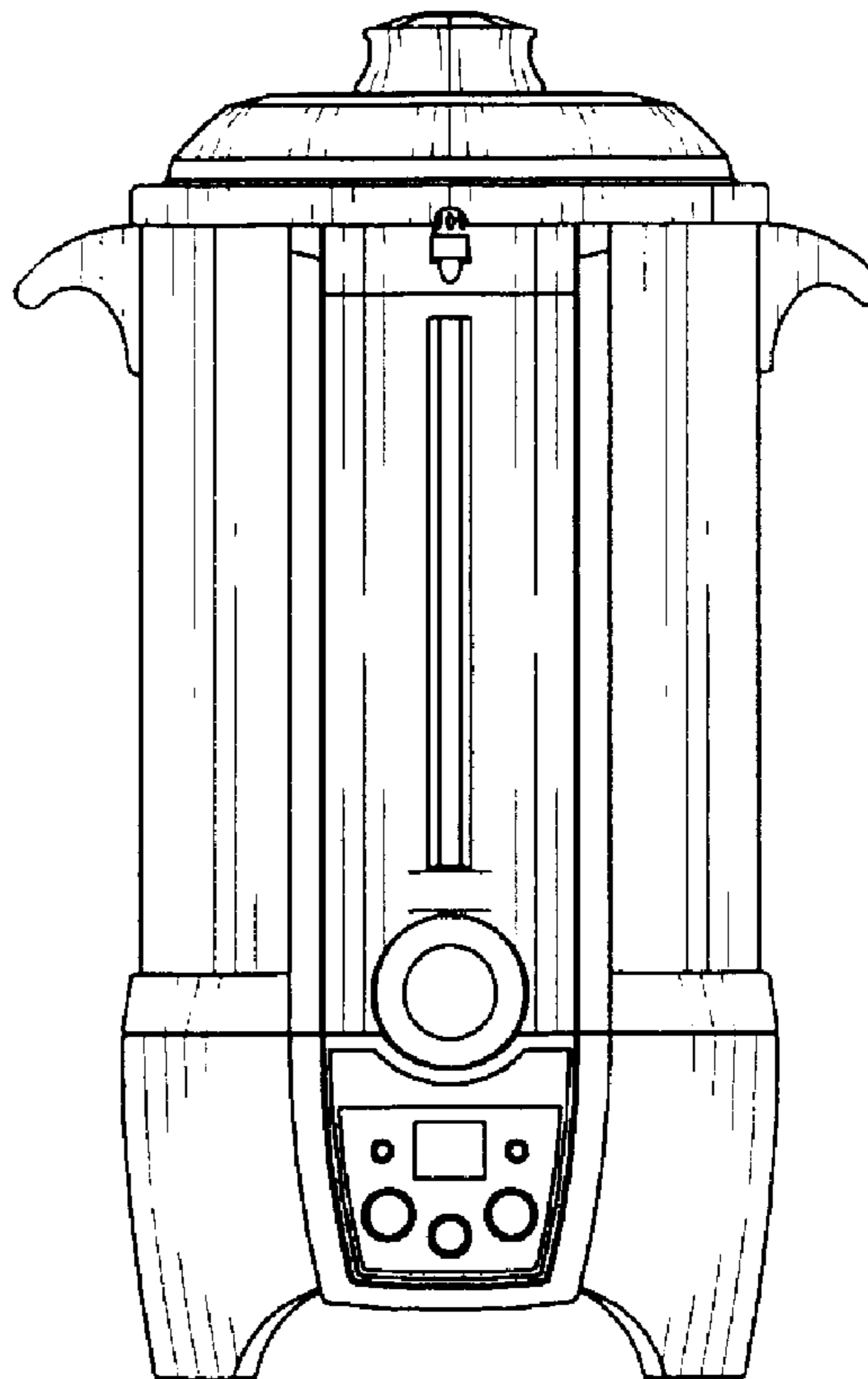
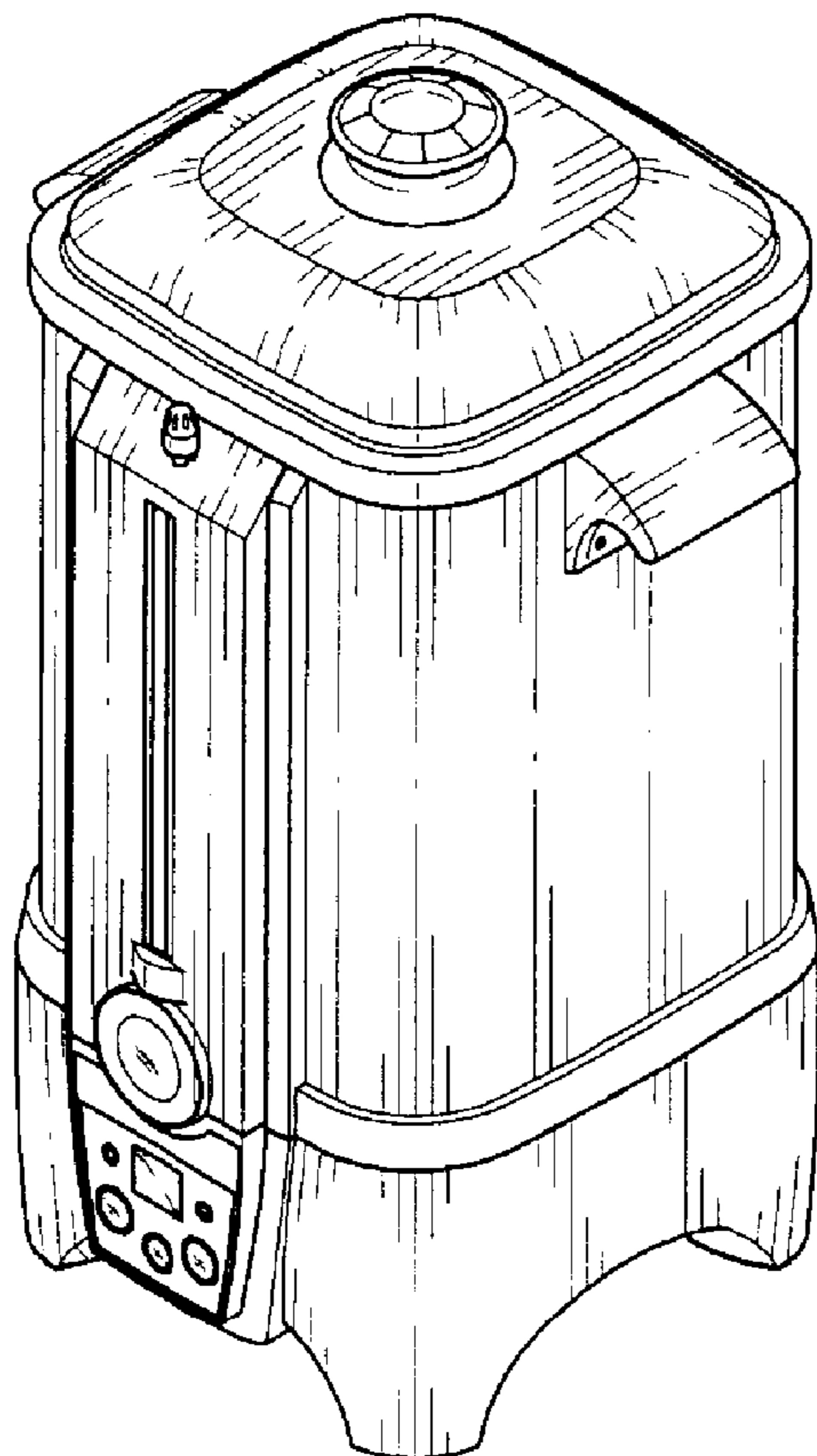


FIG.1

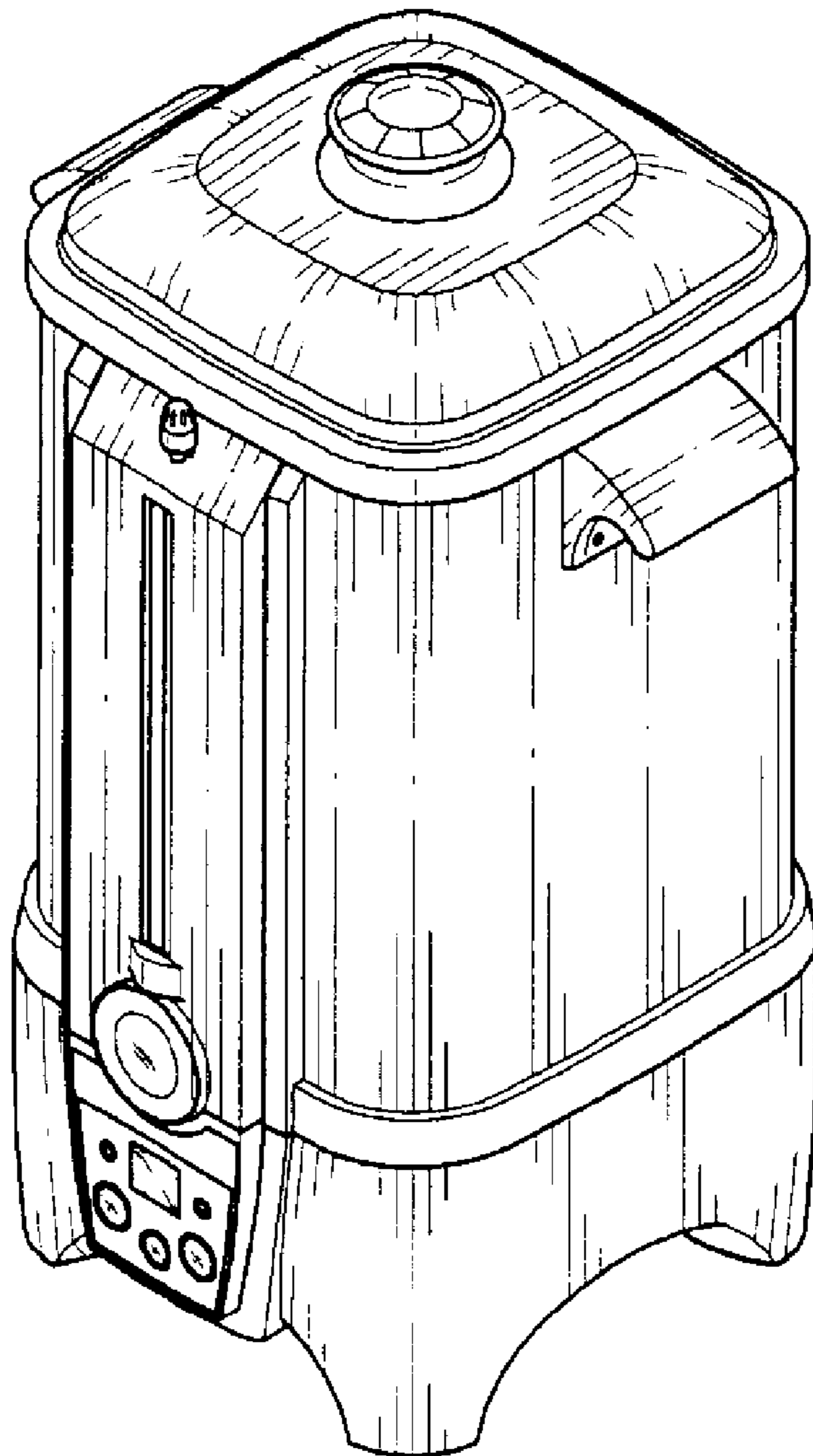


FIG.2

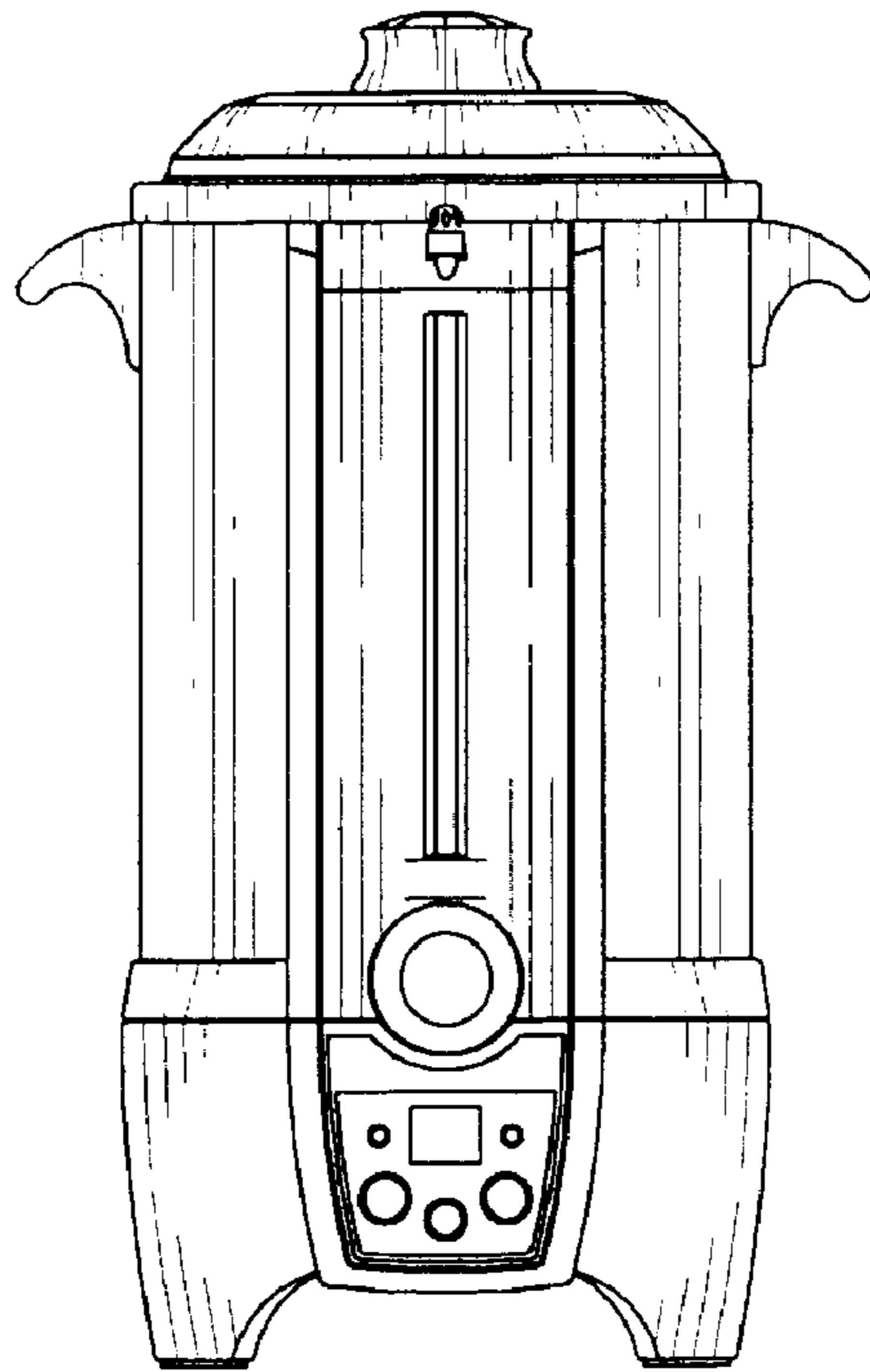


FIG.3

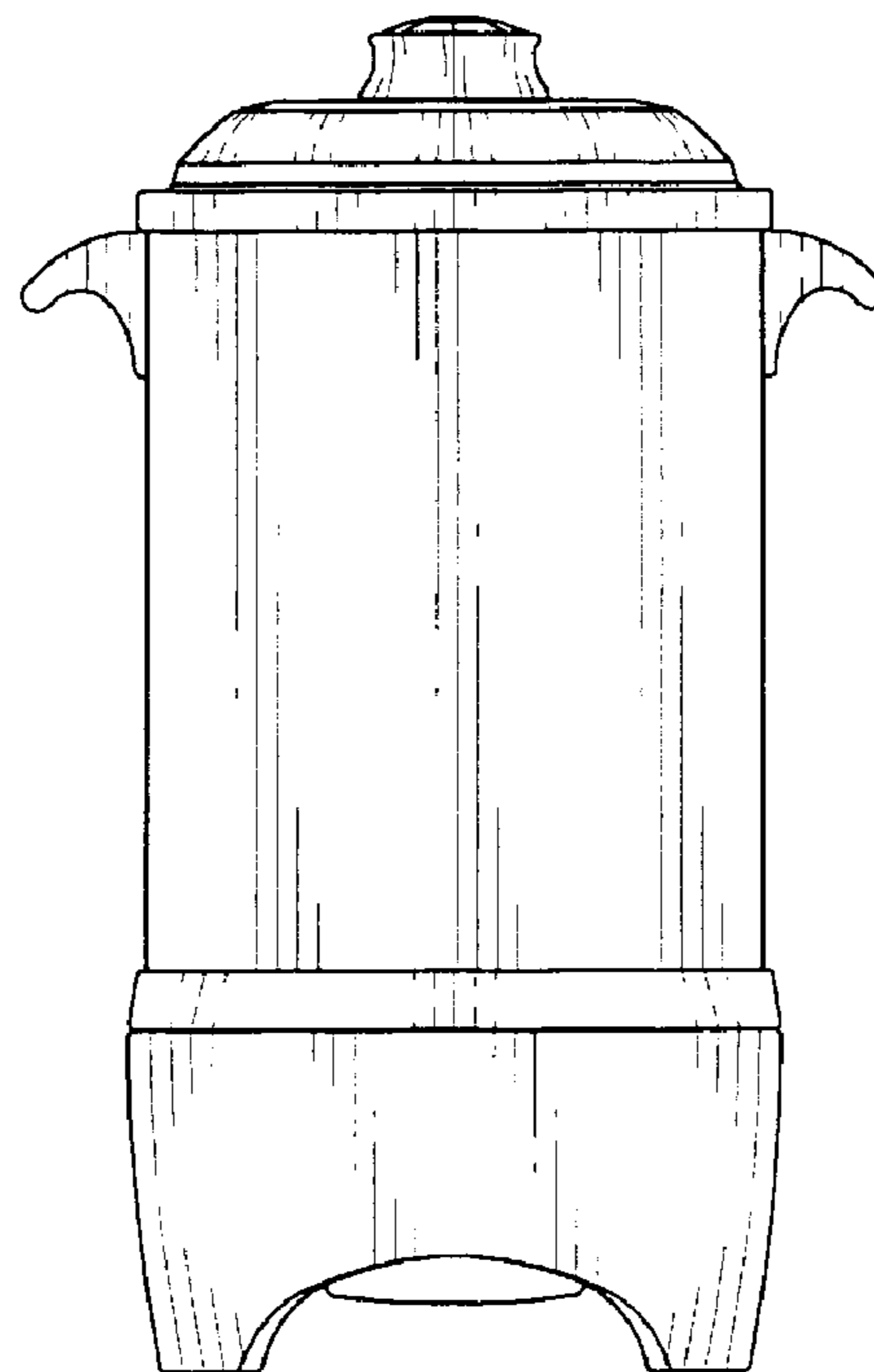


FIG.4

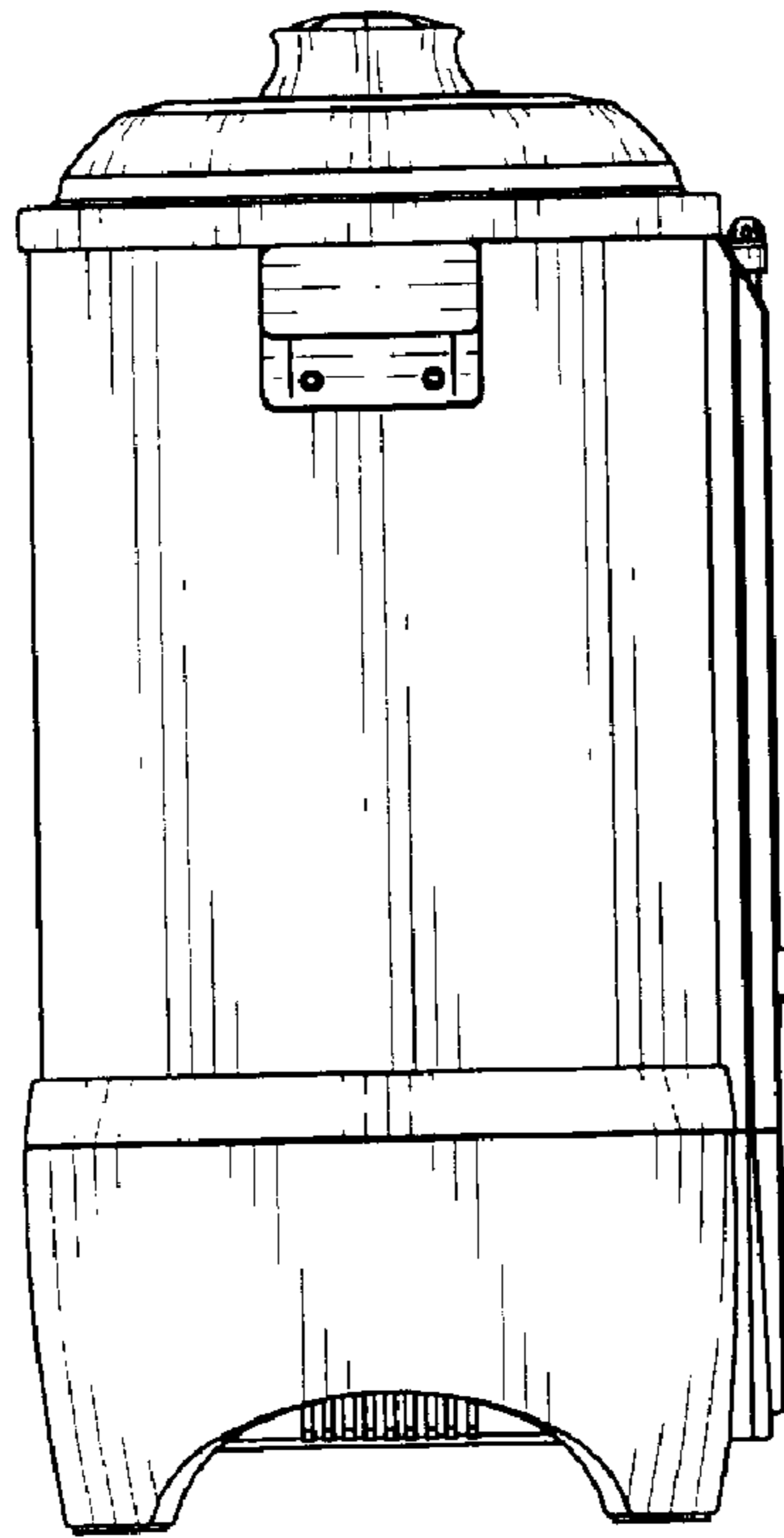


FIG.5

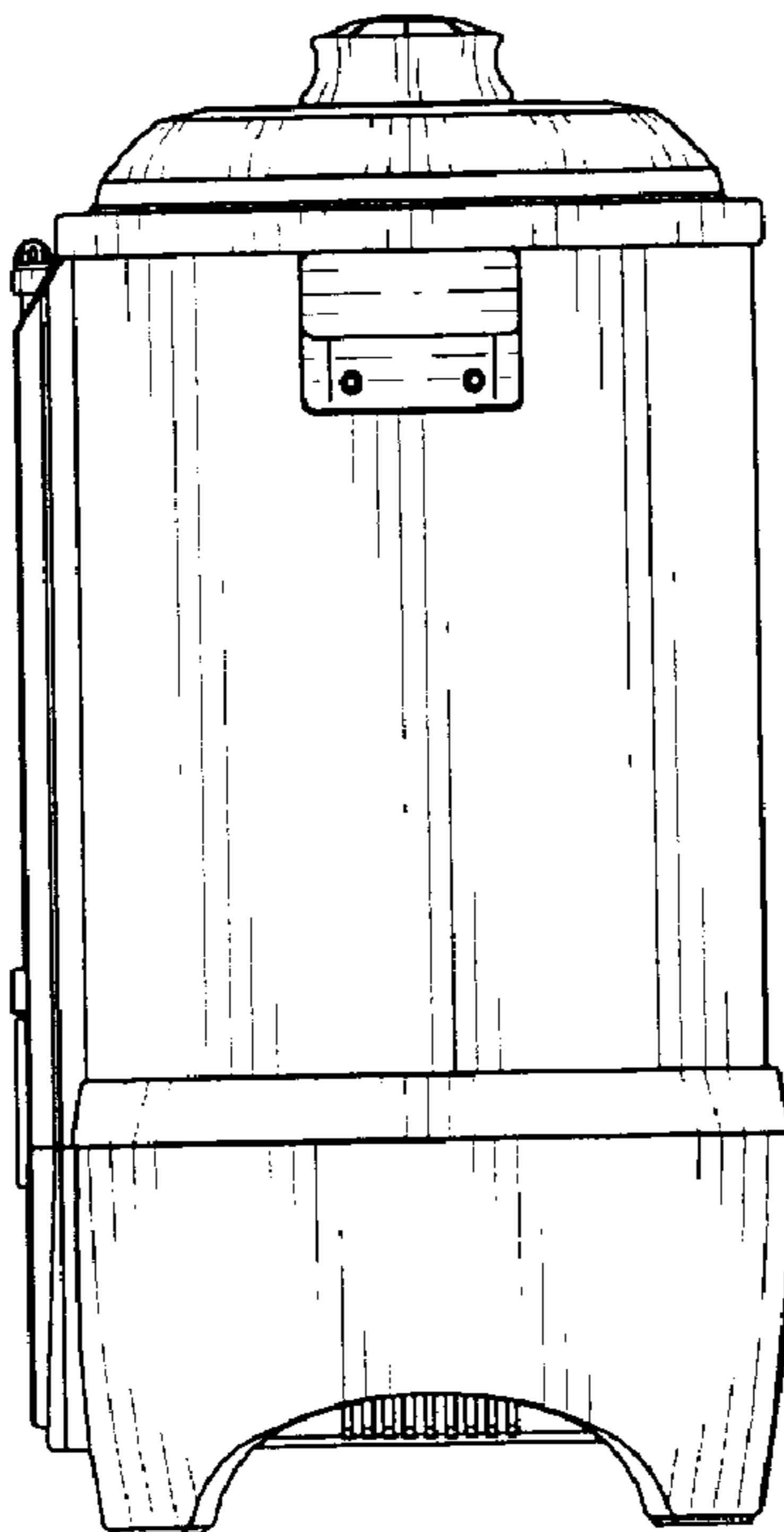


FIG.6

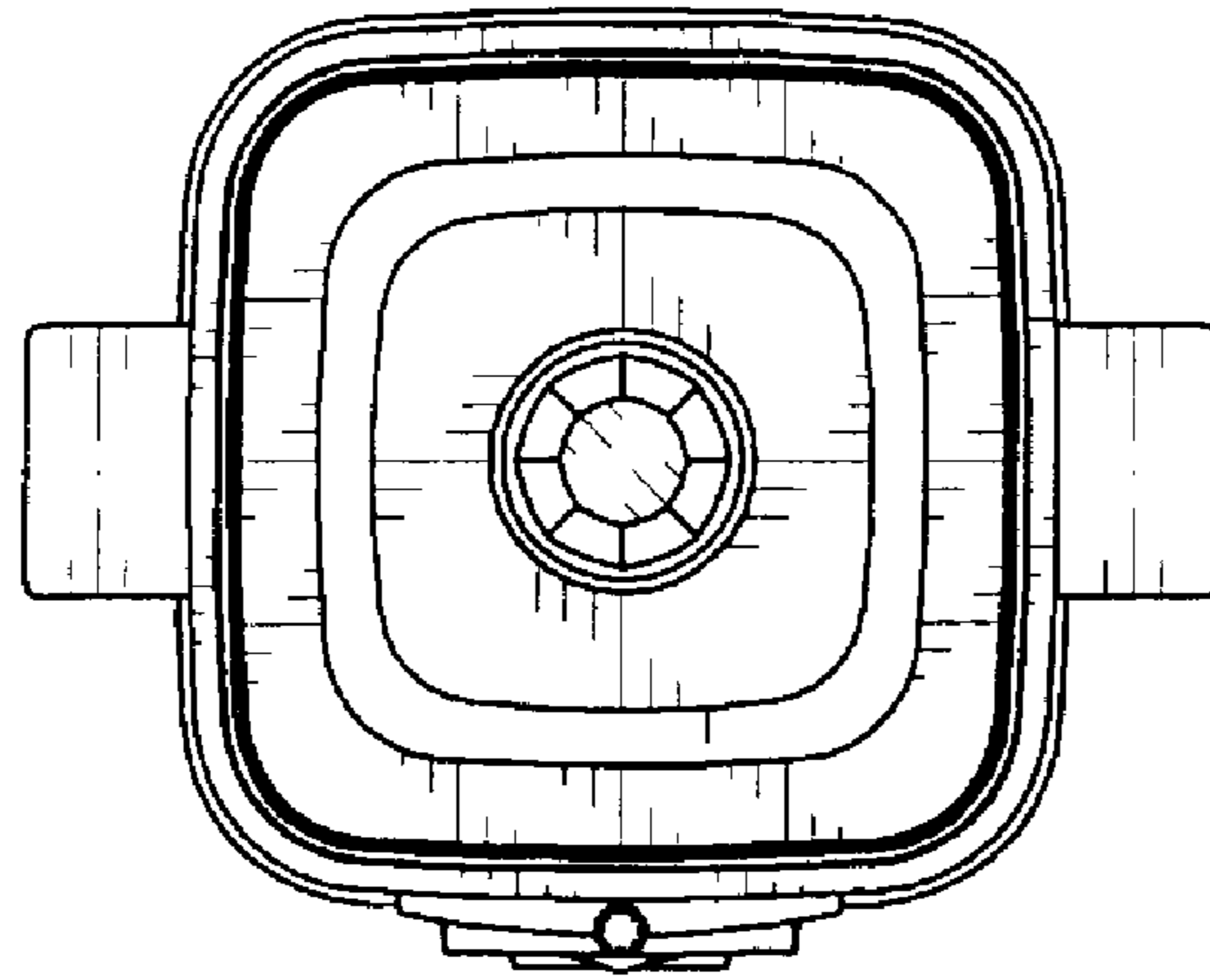


FIG.7

