

US00D528340S

(12) **United States Design Patent**
Contreras

(10) **Patent No.:** **US D528,340 S**

(45) **Date of Patent:** **** Sep. 19, 2006**

(54) **MATTRESS TOPPER**

(75) Inventor: **Jose D. M. Contreras**, Compton, CA (US)

(73) Assignee: **Foamex L.P.**, Linwood, PA (US)

(**) Term: **14 Years**

(21) Appl. No.: **29/199,413**

(22) Filed: **Feb. 13, 2004**

(51) **LOC (8) Cl.** **06-09**

(52) **U.S. Cl.** **D6/606**

(58) **Field of Classification Search** D6/601, D6/603, 595, 596, 605, 606; 5/901, 907, 5/655.9, 736, 731, 482, 737, 740, 720, 652.1, 5/727; D24/183; D5/47, 53, 58; D21/491, D21/168; 296/187.03; 267/145; 428/174; 52/181

See application file for complete search history.

D416,741 S	*	11/1999	Denney et al.	D6/596
D417,355 S		12/1999	Denney et al.		
D419,356 S		1/2000	Denney et al.		
D421,358 S		3/2000	Henson		
D429,545 S		8/2000	Denney		
D429,589 S		8/2000	Denney		
D430,716 S		9/2000	Denney		
D431,100 S		9/2000	Denney		
6,221,463 B1	*	4/2001	White	428/174
D448,661 S	*	10/2001	Kerr et al.	D9/696
6,347,423 B1	*	2/2002	Stumpf	5/720
D456,197 S		4/2002	McClure et al.		
6,726,190 B1	*	4/2004	Malpass et al.	267/145
6,739,008 B1	*	5/2004	Kindrick	5/655.9
6,752,450 B1	*	6/2004	Carroll et al.	296/187.03
D509,980 S	*	9/2005	Martin et al.	D6/596
6,952,852 B1	*	10/2005	Reeder et al.	5/727

* cited by examiner

Primary Examiner—Robert M. Spear

Assistant Examiner—Mary Ann Calabrese

(74) *Attorney, Agent, or Firm*—Connolly Bove Lodge & Hutz LLP

(56) **References Cited**

U.S. PATENT DOCUMENTS

605,732 A	*	6/1898	Locke	52/181
2,604,642 A	*	7/1952	Marco	5/727
3,940,811 A	*	3/1976	Tomikawa et al.	5/740
3,987,507 A	*	10/1976	Hall	5/653
4,866,800 A	*	9/1989	Bedford	5/652.1
D326,204 S		5/1992	Main		
D336,400 S		6/1993	Mitchell et al.		
D339,018 S		9/1993	Main		
D339,019 S		9/1993	Main		
D339,261 S	*	9/1993	Limon et al.	D6/596
D353,072 S		12/1994	Cornell, Jr. et al.		
D356,917 S		4/1995	Marshburn		
D356,918 S		4/1995	Marshburn		
D365,857 S	*	1/1996	Lyman	D21/491
D365,956 S		1/1996	Bonaddio et al.		
D370,127 S		5/1996	Bonaddio et al.		
D381,543 S		7/1997	Farley		
D391,434 S		3/1998	Denney et al.		
D400,385 S		11/1998	Hudson		
D414,065 S		9/1999	Henson		

(57) **CLAIM**

The ornamental design for a mattress topper, as shown and described.

DESCRIPTION

FIG. 1 is a right side elevational view of a mattress topper showing my new design, wherein the left side elevational view is identical thereto;

FIG. 2 is a top plan view of the mattress topper of FIG. 1;

FIG. 3 is a rear elevational view of the mattress topper of FIG. 1;

FIG. 4 is a front elevational view of the mattress topper of FIG. 1; and

FIG. 5 is a bottom plan view of the mattress topper of FIG. 1; and,

FIG. 6 is an enlarged fragmental perspective view of the left front corner of the mattress or mattress topper illustrating the three dimensional depth of the design.

1 Claim, 1 Drawing Sheet

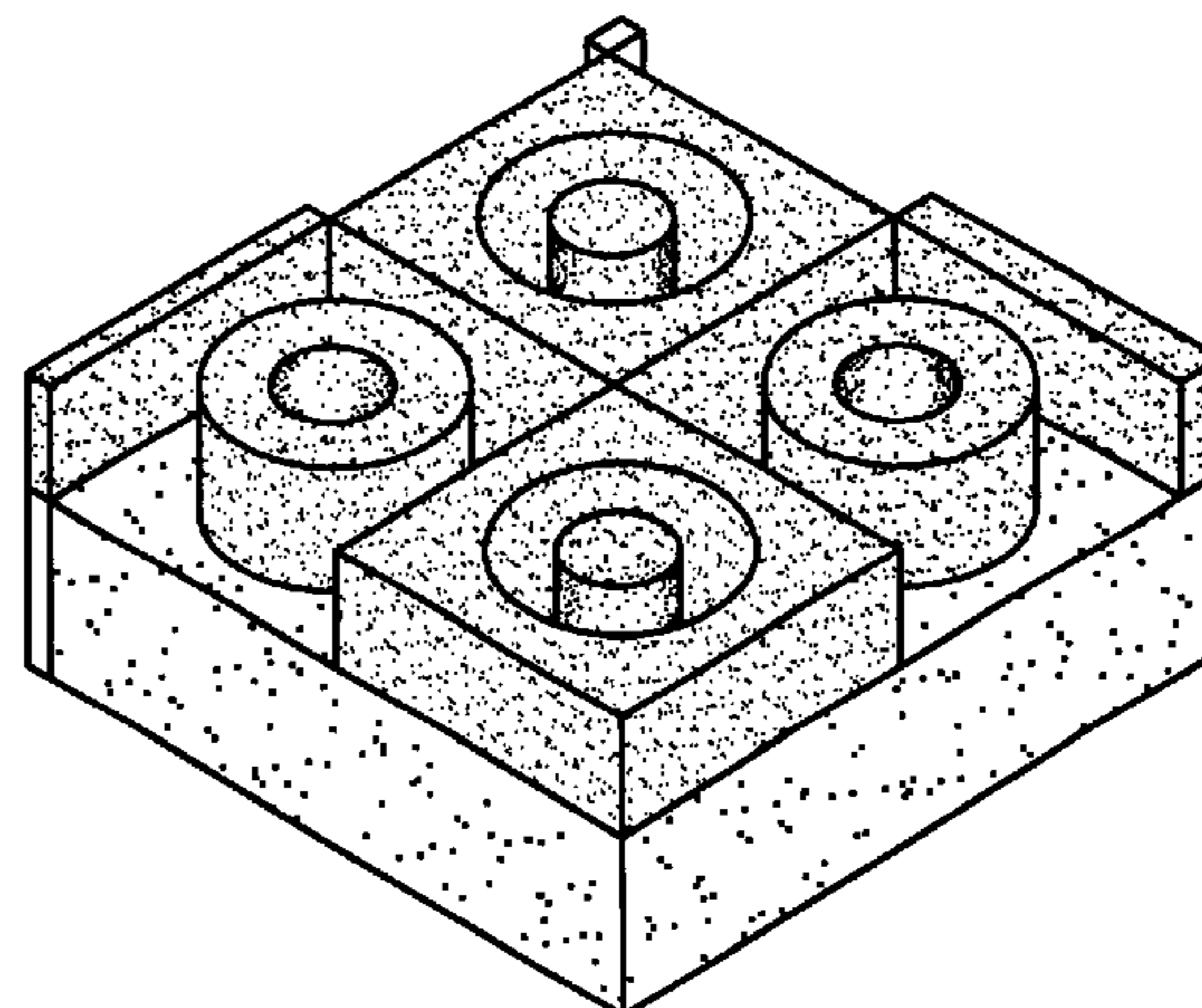
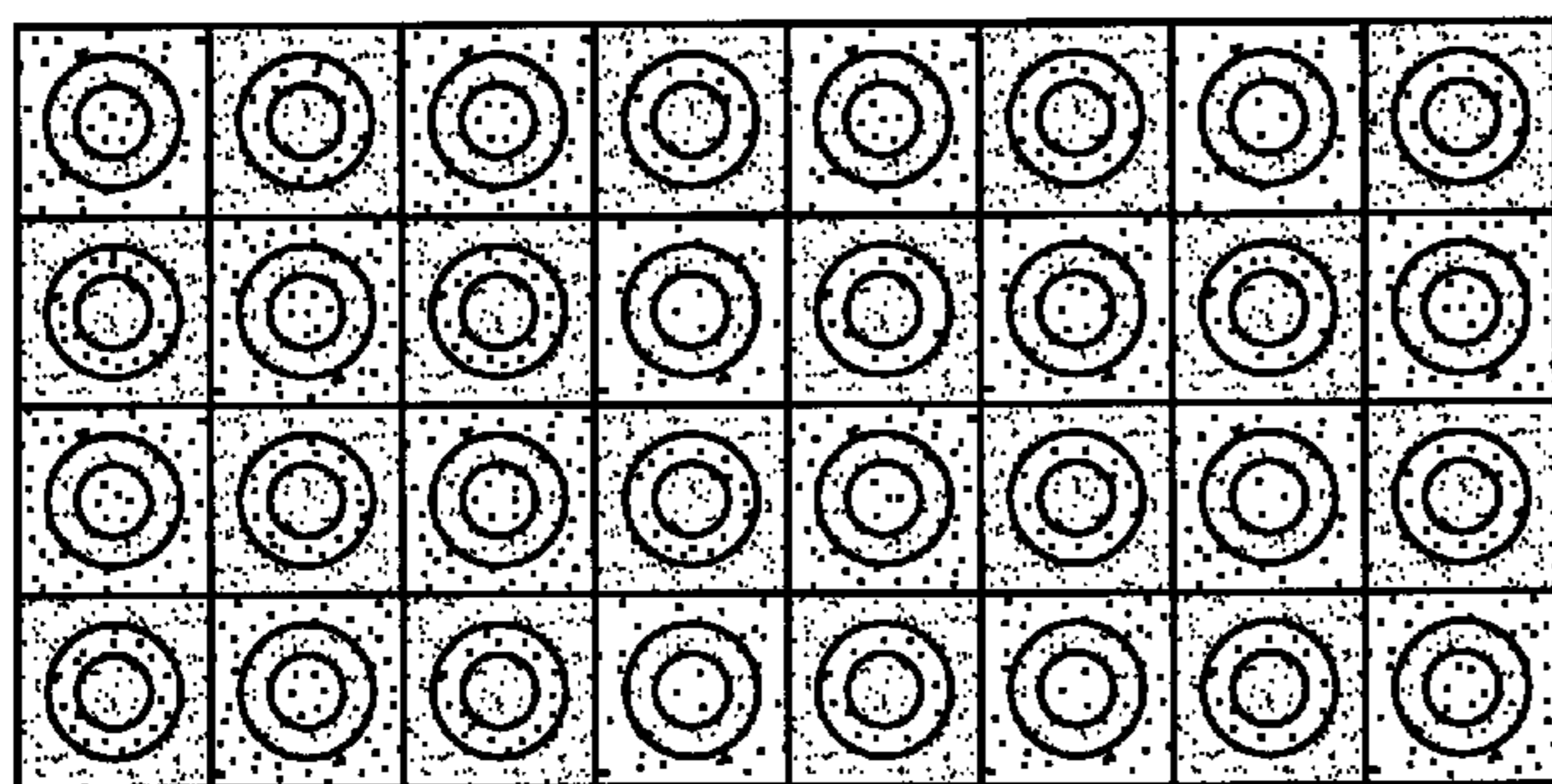


FIG. 3



FIG. 2

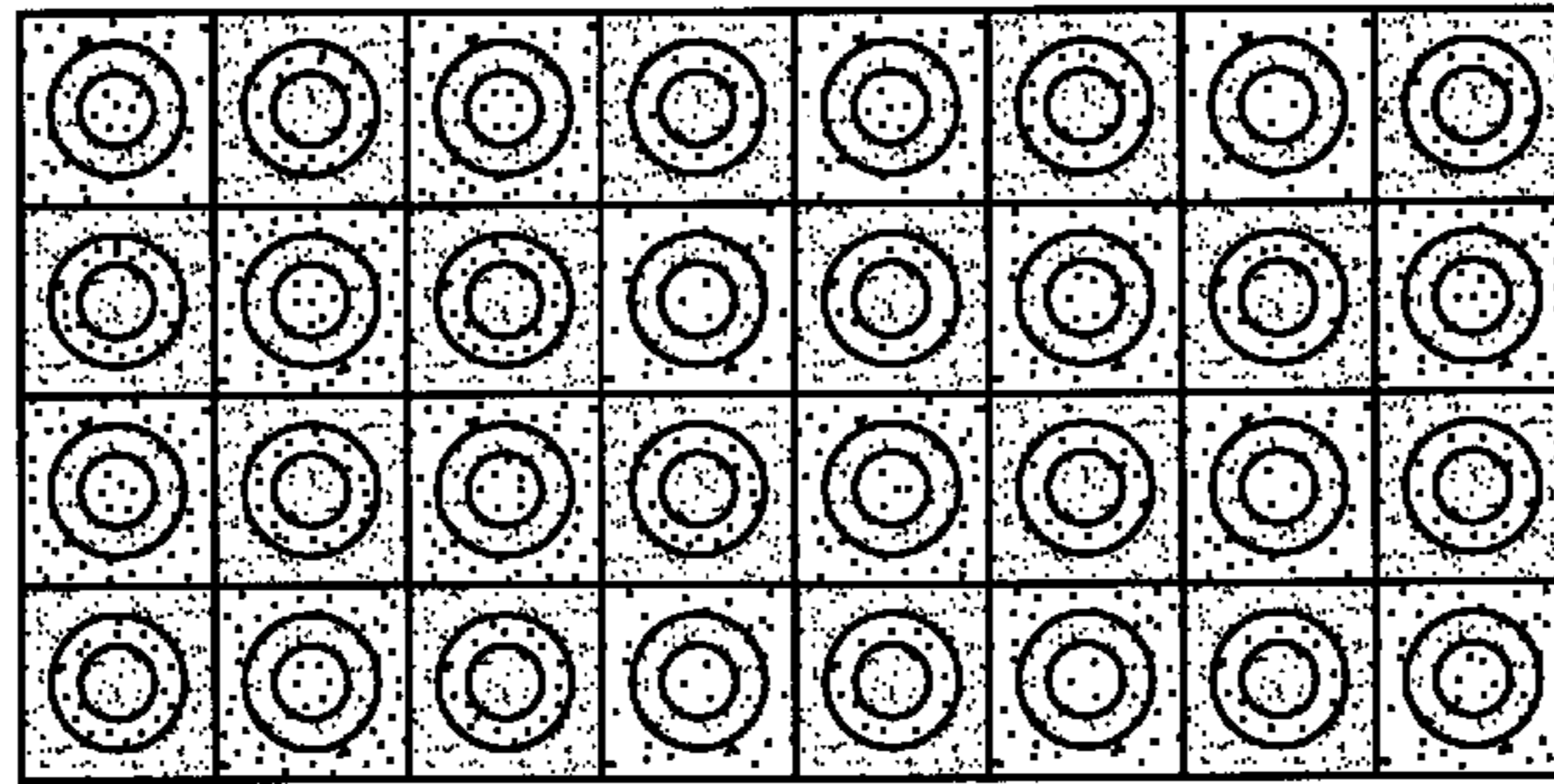


FIG. 4



FIG. 1



FIG. 5

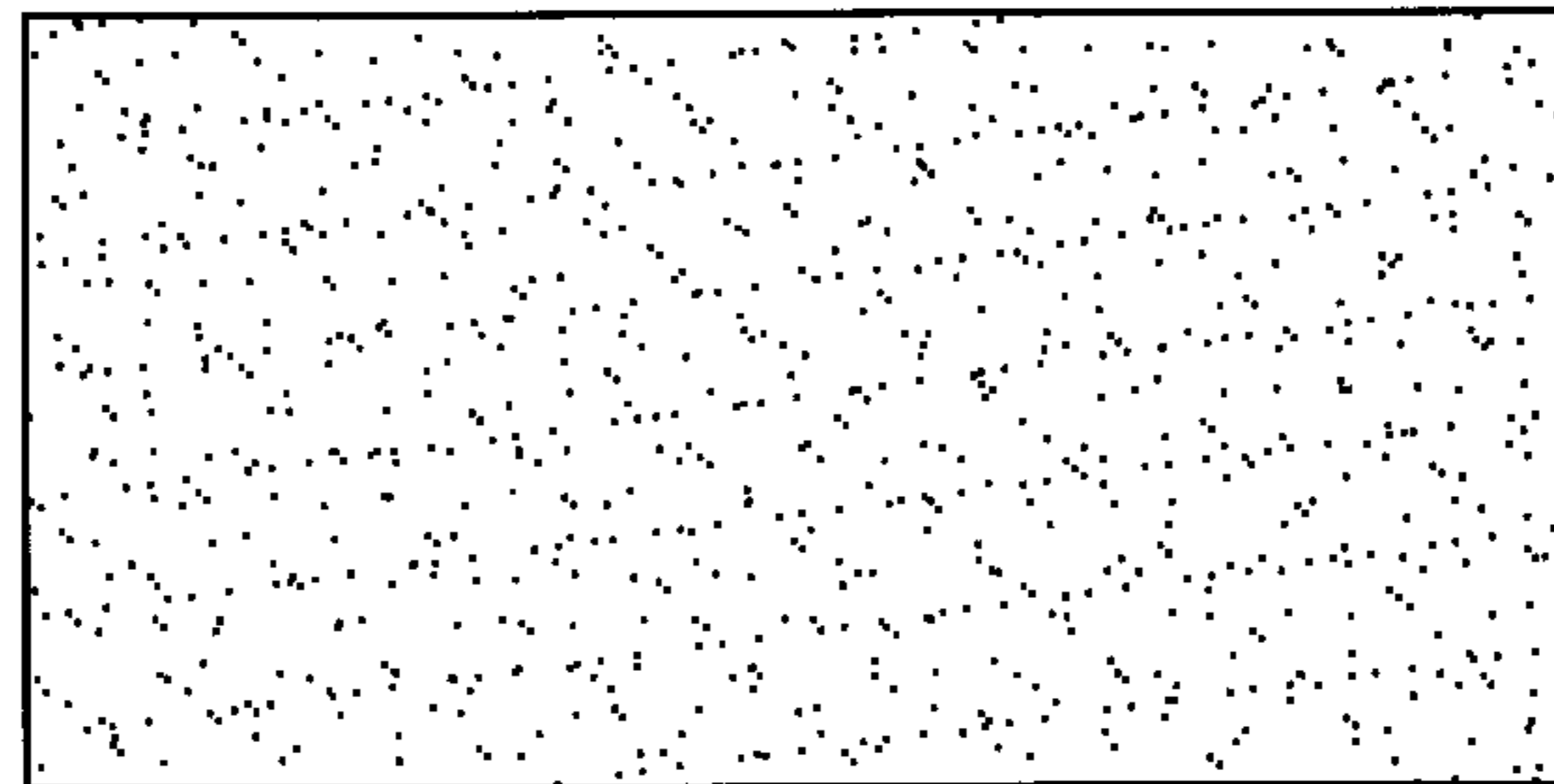


FIG. 6

