



US00D528335S

(12) **United States Design Patent** (10) **Patent No.:** **US D528,335 S**
Fuchs (45) **Date of Patent:** **** Sep. 19, 2006**

(54) **BATHROOM UTILITY HOOK**

(76) Inventor: **Thomas P. Fuchs**, 38 W. 9th St., New York, NY (US) 10012

(**) Term: **14 Years**

(21) Appl. No.: **29/202,393**

(22) Filed: **Mar. 29, 2004**

(51) **LOC (8) Cl.** **06-04**

(52) **U.S. Cl.** **D6/550**

(58) **Field of Classification Search** D6/546-550,
D6/518-523; D8/300, 303, 315-321, 349,
D8/354, 363, 373, 380; 108/28-29; 211/13.1,
211/16, 60.1, 100, 86.01, 87.01, 88.01, 88.04,
211/105.1-105.2, 123, 182, 181.1; 248/175,
248/176.1, 251, 302, 309.1; 16/110.1, 412,
16/415; 242/570, 590, 595-598

See application file for complete search history.

(56) **References Cited**

U.S. PATENT DOCUMENTS

D400,381 S	*	11/1998	Solowiej et al.	D6/550
D409,032 S	*	5/1999	Kuo	D6/550
D426,734 S		6/2000	Fuchs		
D439,087 S		3/2001	Fuchs		
D449,952 S	*	11/2001	Lyndon	D6/549
D451,739 S	*	12/2001	Yeh	D6/550
D454,742 S	*	3/2002	Meck et al.	D6/549
D459,128 S	*	6/2002	Meck et al.	D6/523
D461,985 S		8/2002	Fuchs		
D462,554 S		9/2002	Fuchs		
D463,935 S	*	10/2002	Zhao	D6/549
D476,181 S	*	6/2003	Yeh	D6/524
D485,486 S		1/2004	Fuchs		
D492,530 S	*	7/2004	Chen	D6/549

OTHER PUBLICATIONS

“Brass Art Solutions”, Allied Brass Mfg. Co., Full Line Catalog, 10 pages.

“Knobs & Pulls”, Allied Brass Mfg. Co., Catalog, 8 pages.

1999 Allied Brass Mfg. Co., Catalog, 4 pages.

1998 Allied Brass Mfg. Co., Catalog, 8 pages.

1995 Allied Brass Mfg. Co., Catalog, 1 page.

1992 Allied Brass Mfg. Co., Catalog, 8 pages.

Originals by Valerie, 1992 Allied Brass Mfg. Co., Catalog, 8 pages.

Wall-Door & Cabinet Hardware, Allied Brass Mfg. Co., 1 page.

“PMC” Monte Carlo, Allied Brass Mfg. Co., 1 page.

* cited by examiner

Primary Examiner—Brian N Vinson

(74) *Attorney, Agent, or Firm*—John M. Johnson, Esq.; Carter Ledyard & Milburn LLP

(57) **CLAIM**

The ornamental design for a bathroom utility hook, substantially as shown and described.

DESCRIPTION

FIG. 1 is a perspective view of a bathroom utility hook according to the present invention, the elements of the fixture being shown in broken lines and thus not forming a part of the claimed design;

FIG. 2 is a front view thereof;

FIG. 3 is a back view thereof;

FIG. 4 is a right side view thereof;

FIG. 5 is a left side view thereof;

FIG. 6 is a top view thereof; and,

FIG. 7 is a bottom view thereof.

1 Claim, 2 Drawing Sheets

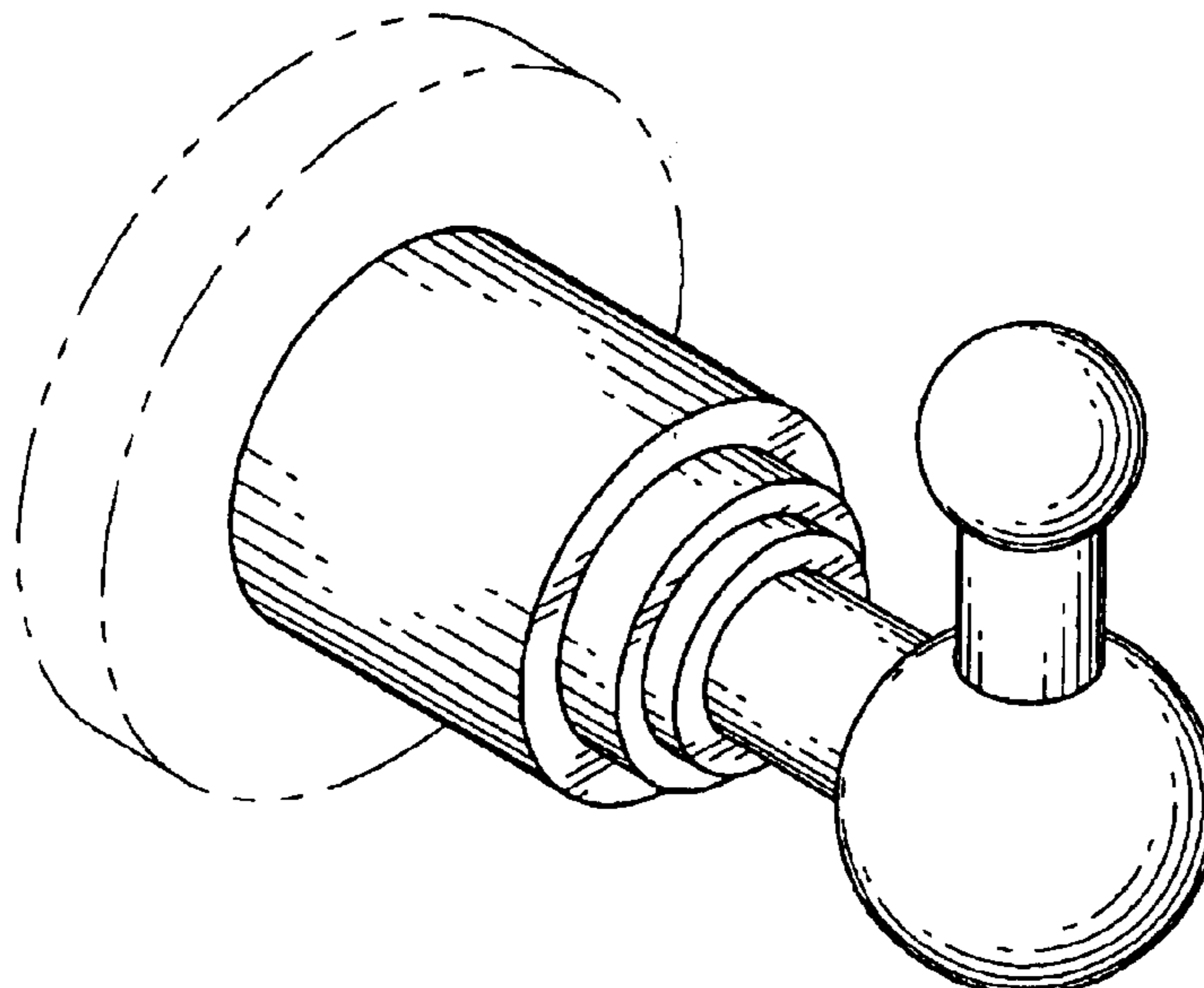


FIG. 1

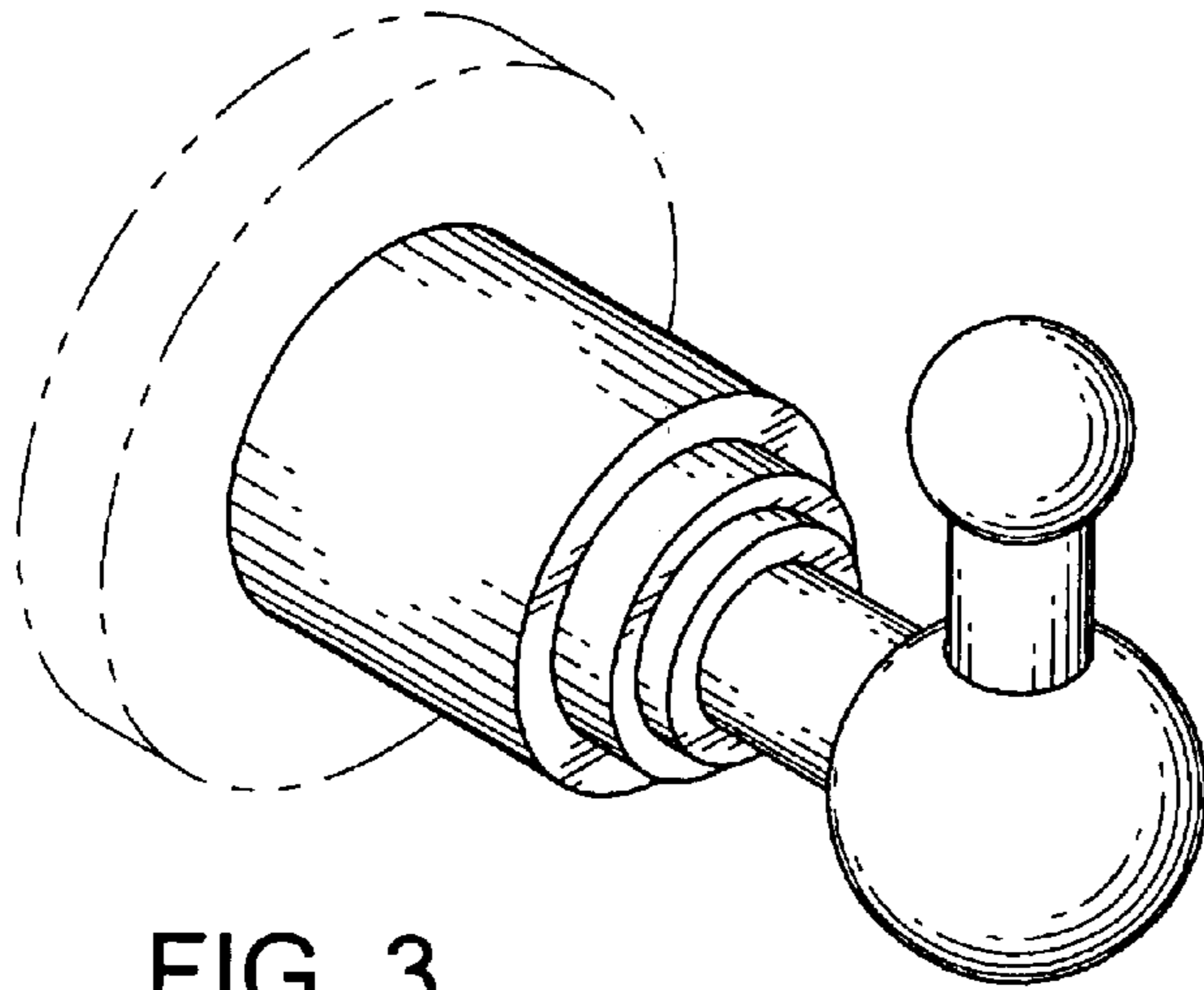


FIG. 2

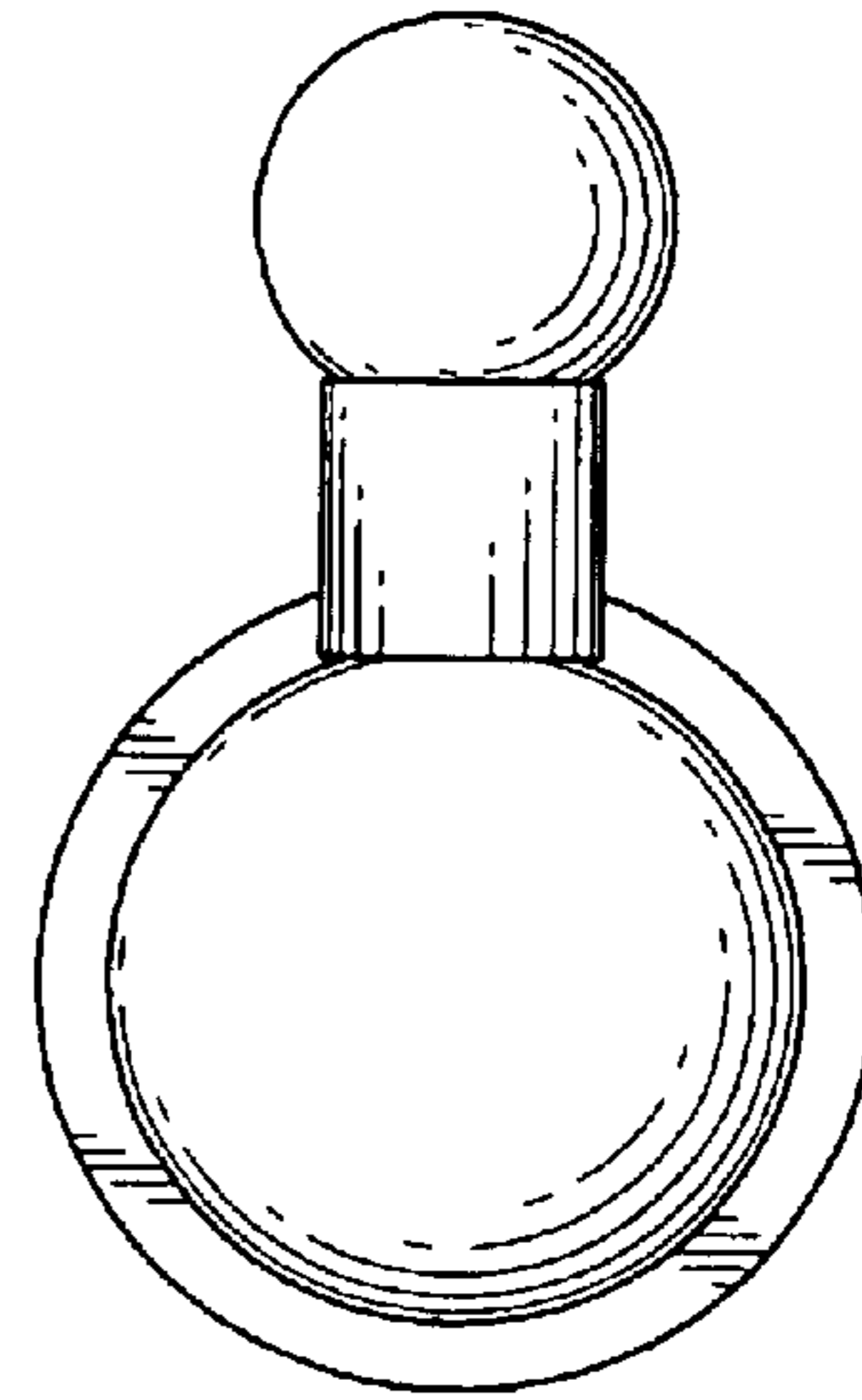


FIG. 3

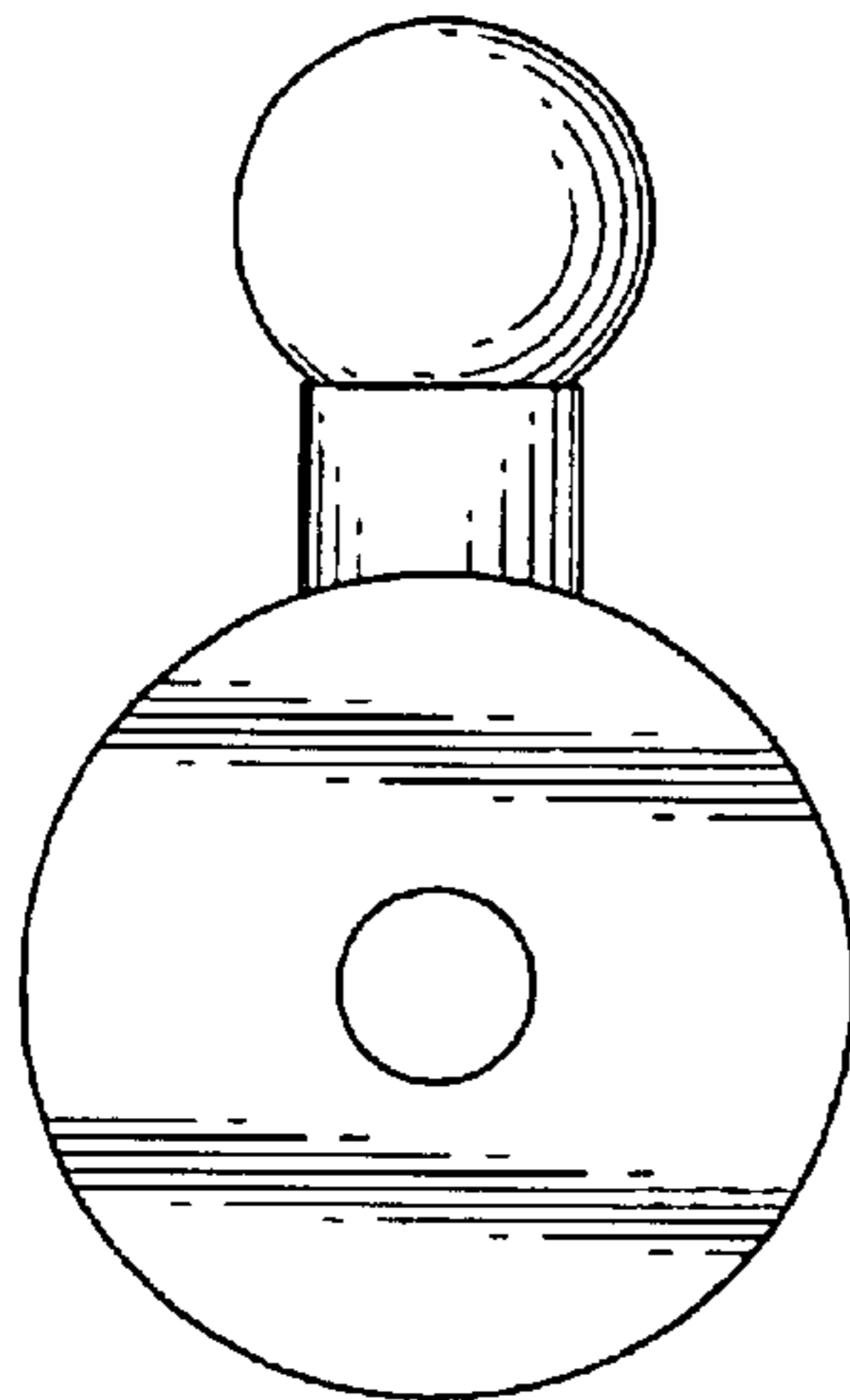


FIG. 4

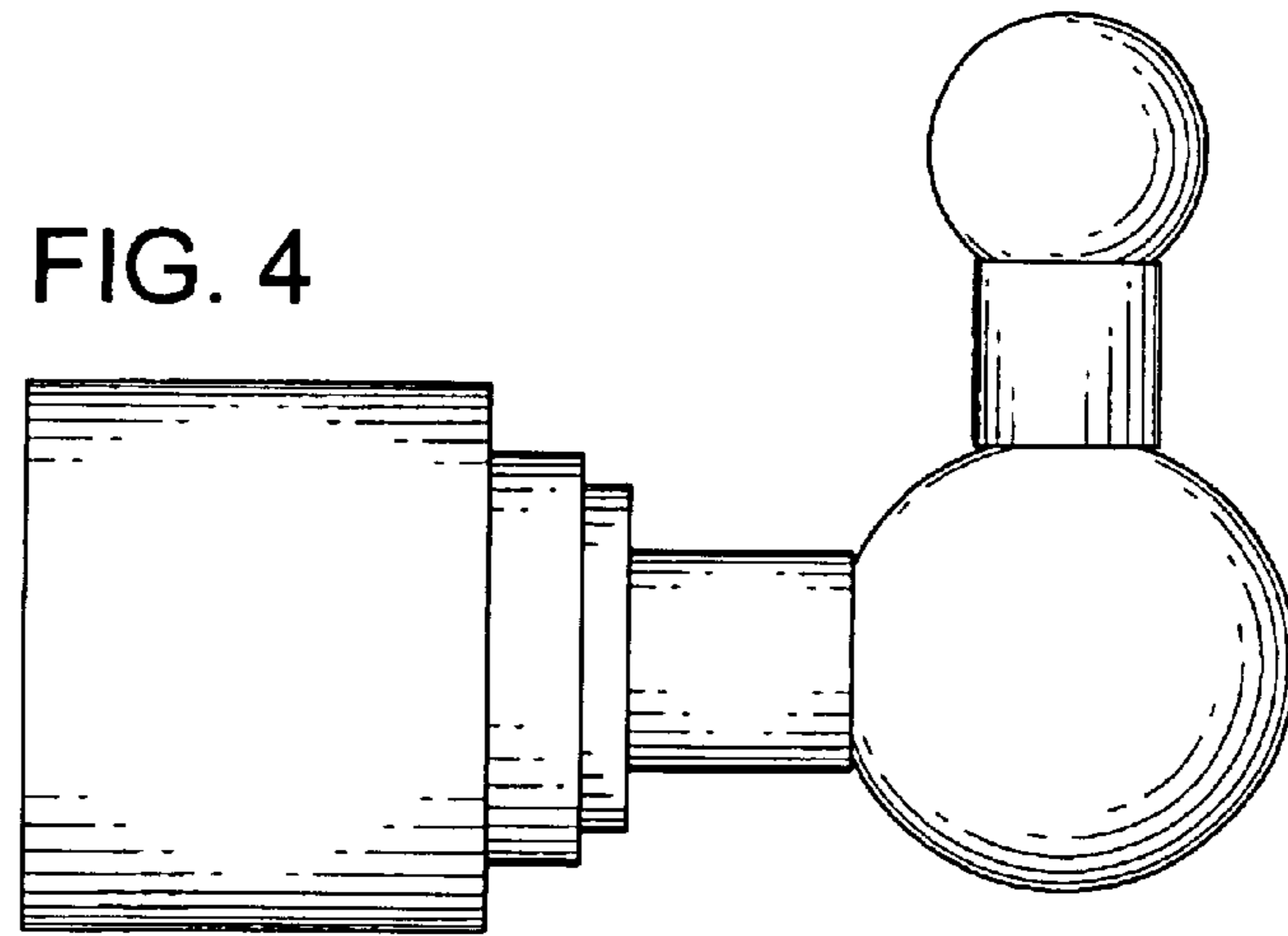


FIG. 5

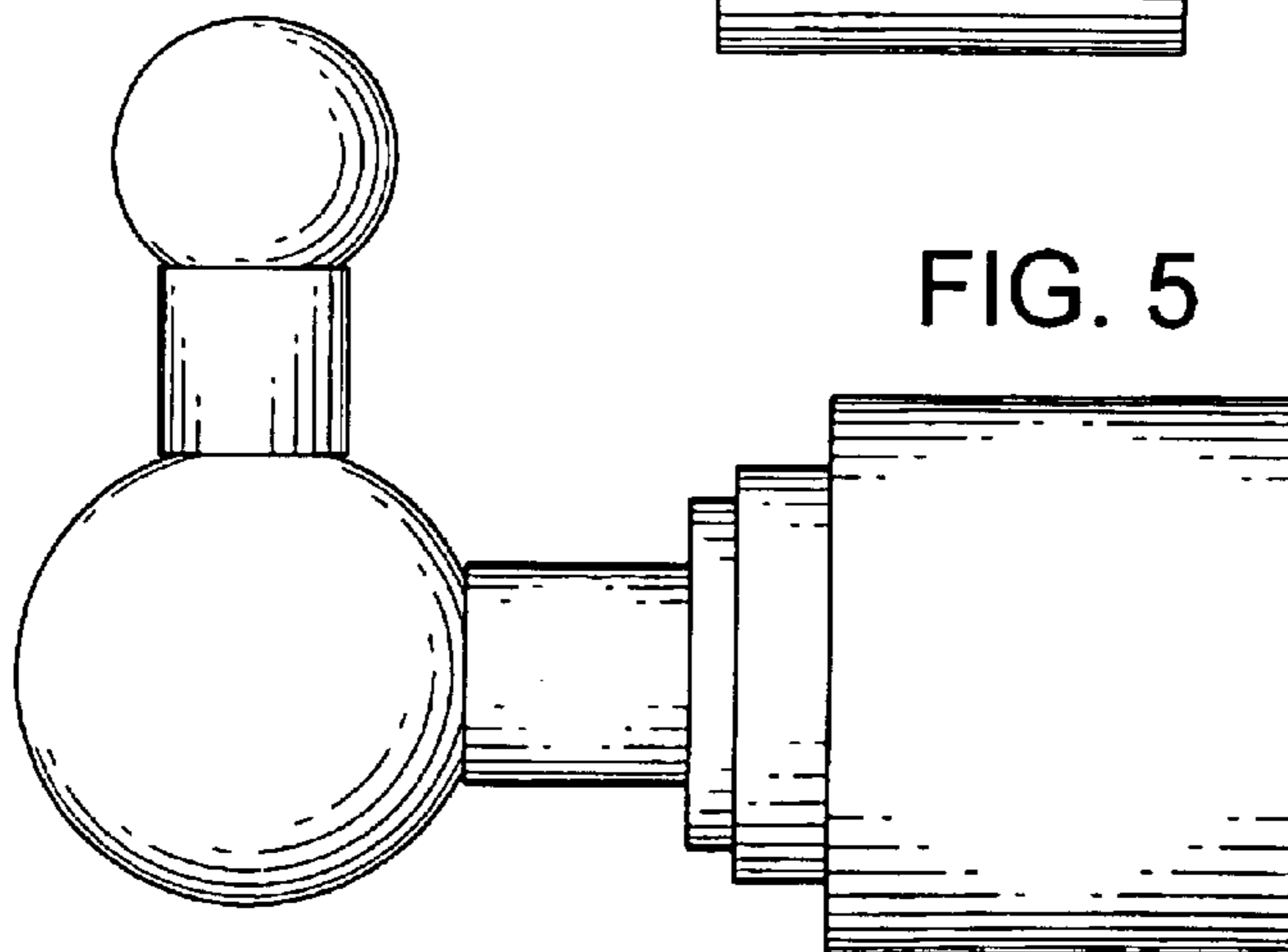


FIG. 6

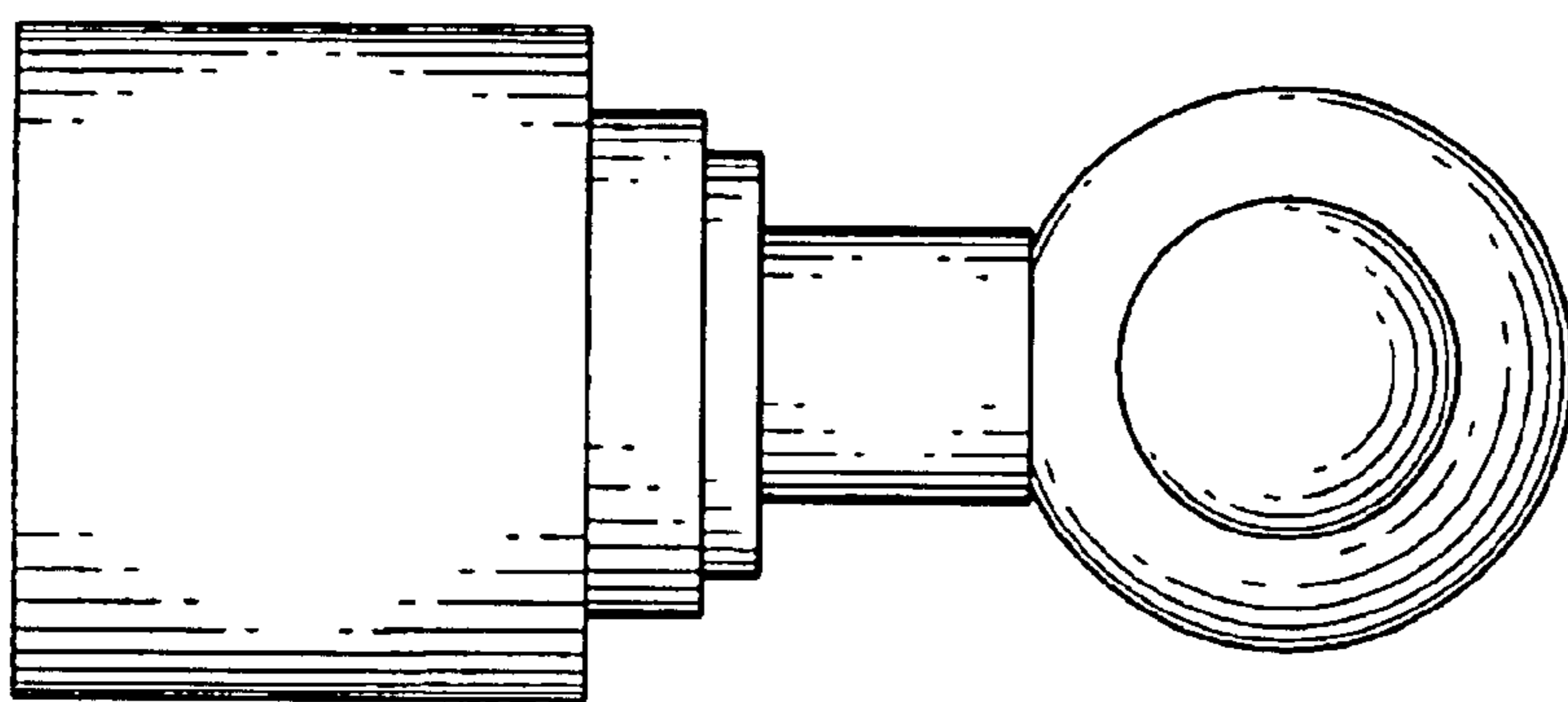


FIG. 7

