



US00D528333S

(12) **United States Design Patent**  
**Wildauer et al.**

(10) **Patent No.:** **US D528,333 S**  
(45) **Date of Patent:** **\*\* Sep. 19, 2006**

(54) **TOILET ACCESSORY CADDY**

(75) Inventors: **John B. Wildauer**, Cherry Hill, NJ  
(US); **George H. F. Schnakenberg, III**,  
Cambridge, MA (US); **Paul Metaxatos**,  
Swampscott, MA (US)

(73) Assignee: **Cobra Products, Inc.**, Bridgeport, NJ  
(US)

(\*\*) Term: **14 Years**

(21) Appl. No.: **29/240,998**

(22) Filed: **Oct. 21, 2005**

(51) **LOC (8) Cl.** ..... **06-04**

(52) **U.S. Cl.** ..... **D6/524**

(58) **Field of Classification Search** ..... D6/524;  
D5/551; 312/206, 207; 206/207, 361; 4/255.05,  
4/255.11

See application file for complete search history.

(56) **References Cited**

**U.S. PATENT DOCUMENTS**

|               |         |               |          |
|---------------|---------|---------------|----------|
| D315,269 S    | 3/1991  | Brazis        |          |
| 5,836,322 A   | 11/1998 | Borger et al. |          |
| 5,924,566 A   | 7/1999  | Gibbs         |          |
| 5,958,150 A   | 9/1999  | Borger et al. |          |
| 5,984,100 A   | 11/1999 | Ramsey et al. |          |
| 6,038,709 A * | 3/2000  | Kent          | 4/255.05 |
| D425,744 S    | 5/2000  | McGuire       |          |
| 6,367,621 B1  | 4/2002  | Johnson       |          |
| D471,393 S *  | 3/2003  | Hutchinson    | D6/551   |

|                 |         |                   |          |
|-----------------|---------|-------------------|----------|
| D477,483 S      | 7/2003  | Brown et al.      |          |
| 6,601,700 B1    | 8/2003  | Rudnick et al.    |          |
| 6,647,567 B1 *  | 11/2003 | Baldwin et al.    | 4/255.11 |
| D491,404 S *    | 6/2004  | Dotterman et al.  | D6/551   |
| D495,182 S *    | 8/2004  | Vitantonio et al. | D6/551   |
| 6,769,542 B1    | 8/2004  | Polito            |          |
| D500,223 S *    | 12/2004 | Libman et al.     | D6/551   |
| 2003/0201267 A1 | 10/2003 | Yang et al.       |          |
| 2004/0004080 A1 | 1/2004  | Yang et al.       |          |
| 2004/0149608 A1 | 8/2004  | Laux et al.       |          |

\* cited by examiner

*Primary Examiner*—Brian N Vinson

(74) *Attorney, Agent, or Firm*—Edgar A. Zarins; Lloyd D. Doigan

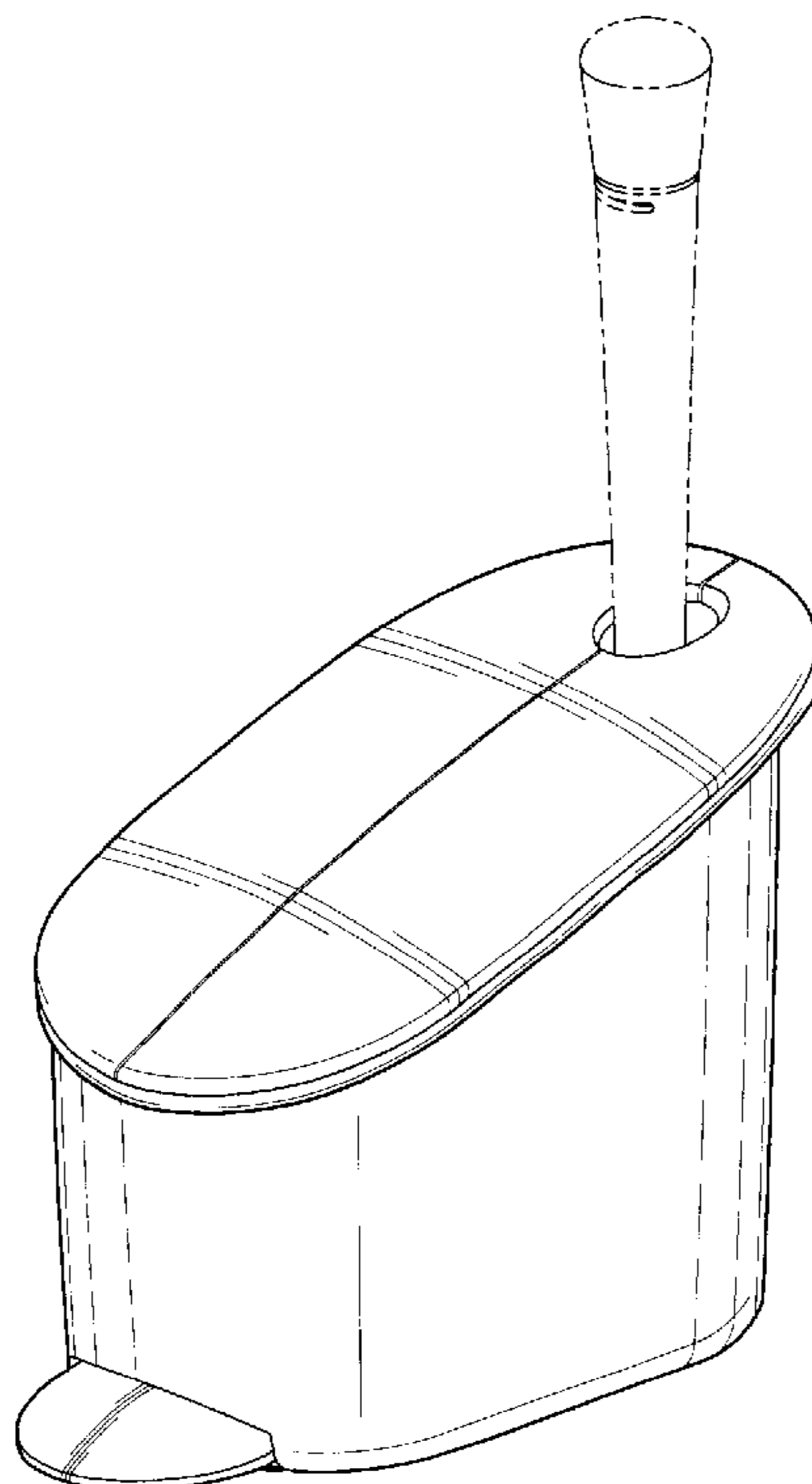
(57) **CLAIM**

The ornamental design for a toilet accessory caddy, as shown and described.

**DESCRIPTION**

FIG. 1 is a perspective view of a toilet accessory caddy showing our new design; FIG. 2 is a left side view thereof, the opposite side being a mirror image of the side shown; and FIG. 3 is a front elevational view thereof; FIG. 4 is a rear view thereof; FIG. 5 is a top plan view thereof; and, FIG. 6 is a bottom plan view thereof. The broken-line disclosure of a handle in the views is for illustrative purposes only and forms no part of the claimed design.

**1 Claim, 3 Drawing Sheets**



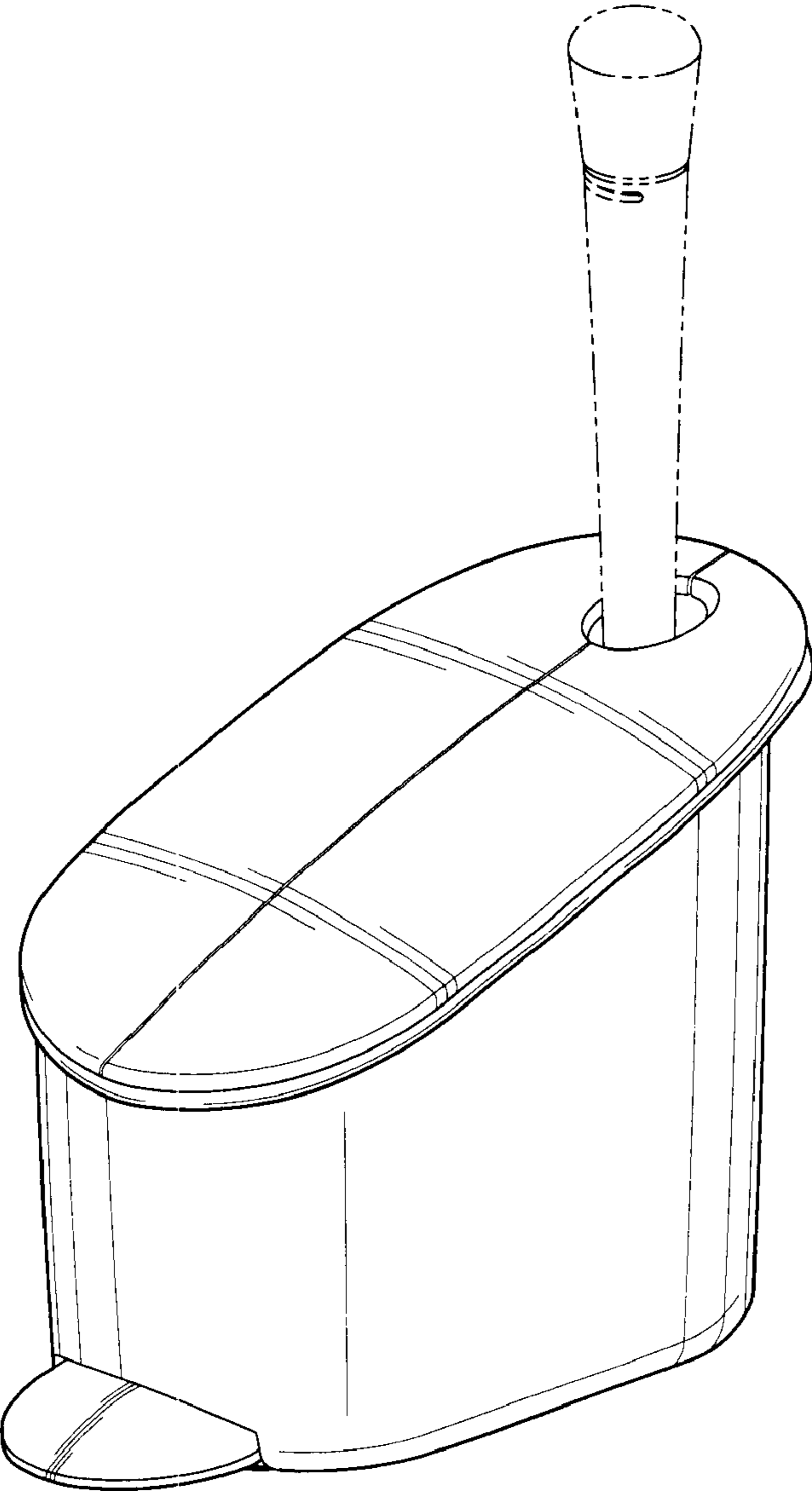


Fig-1

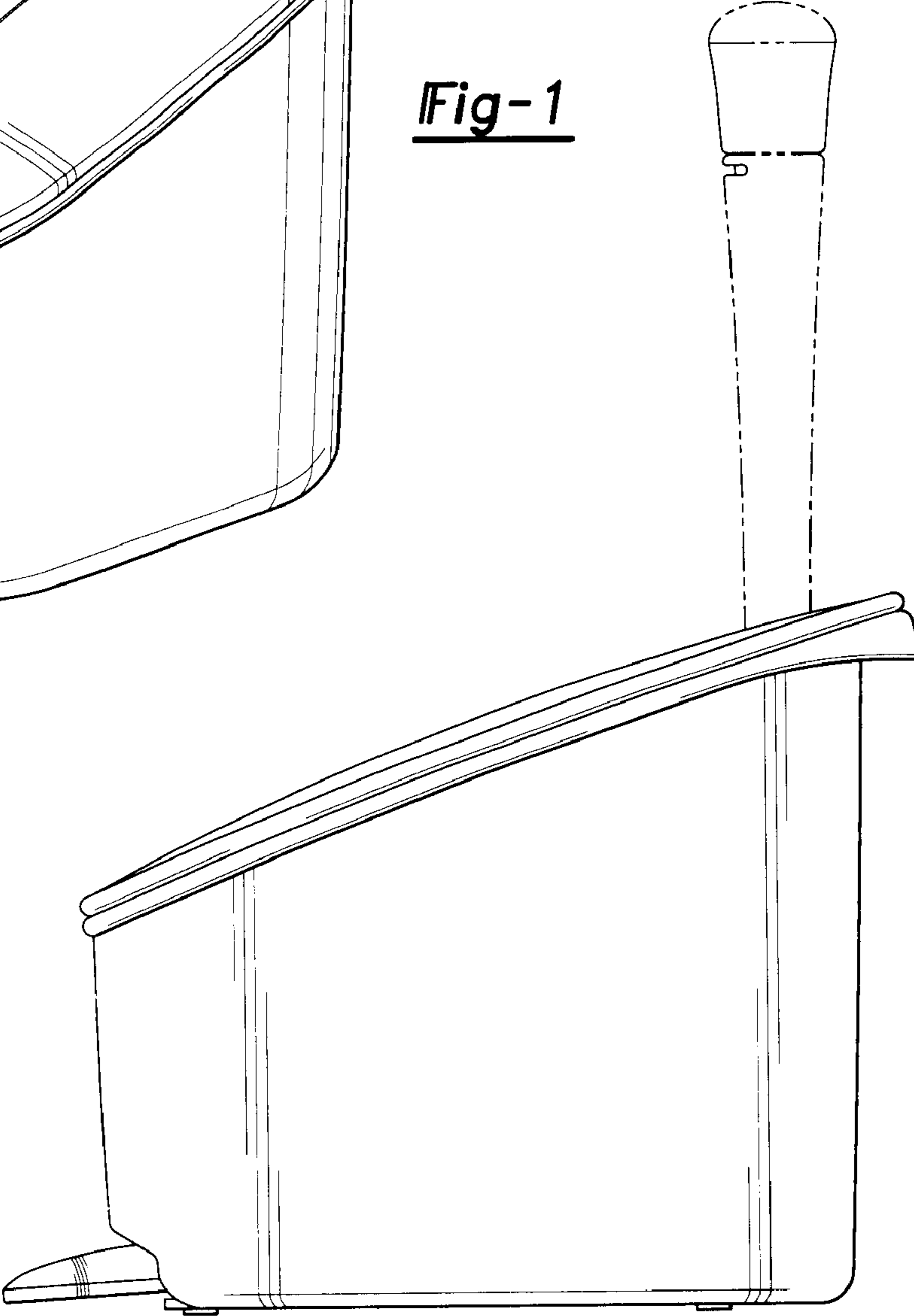


Fig-2

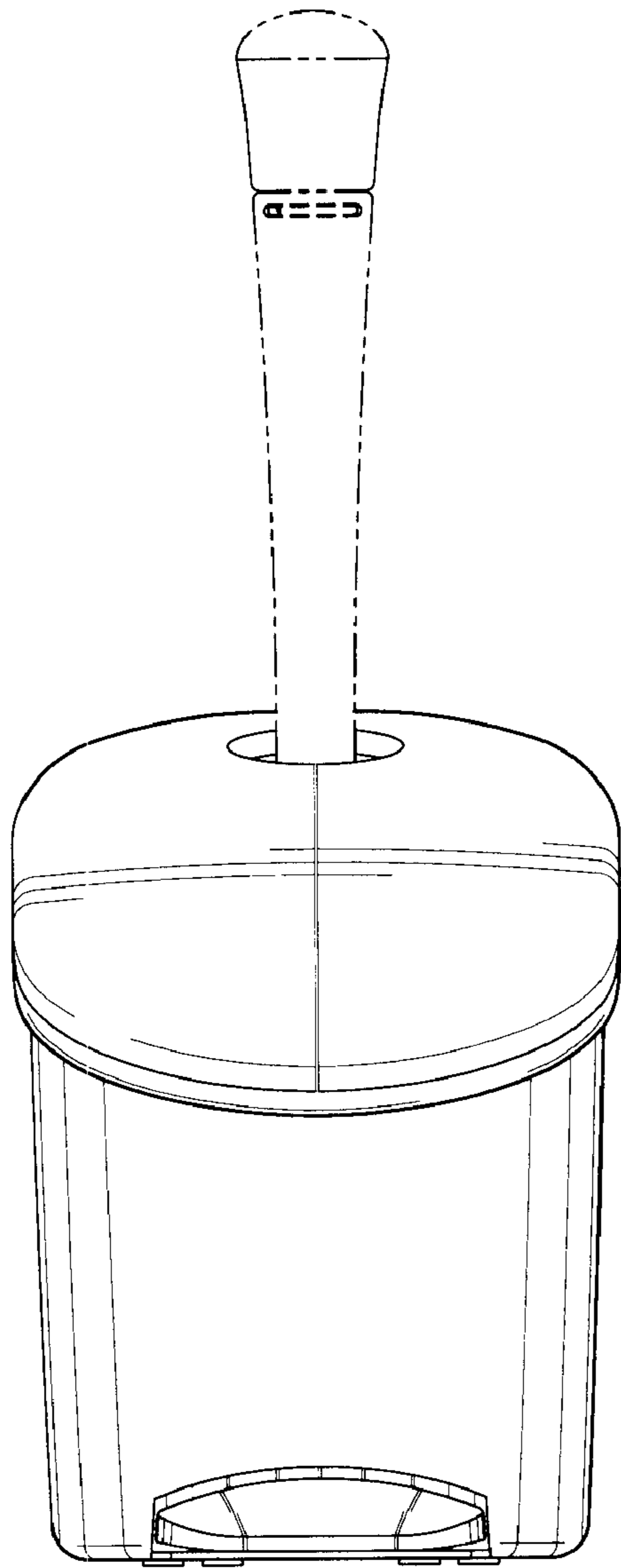


Fig-3

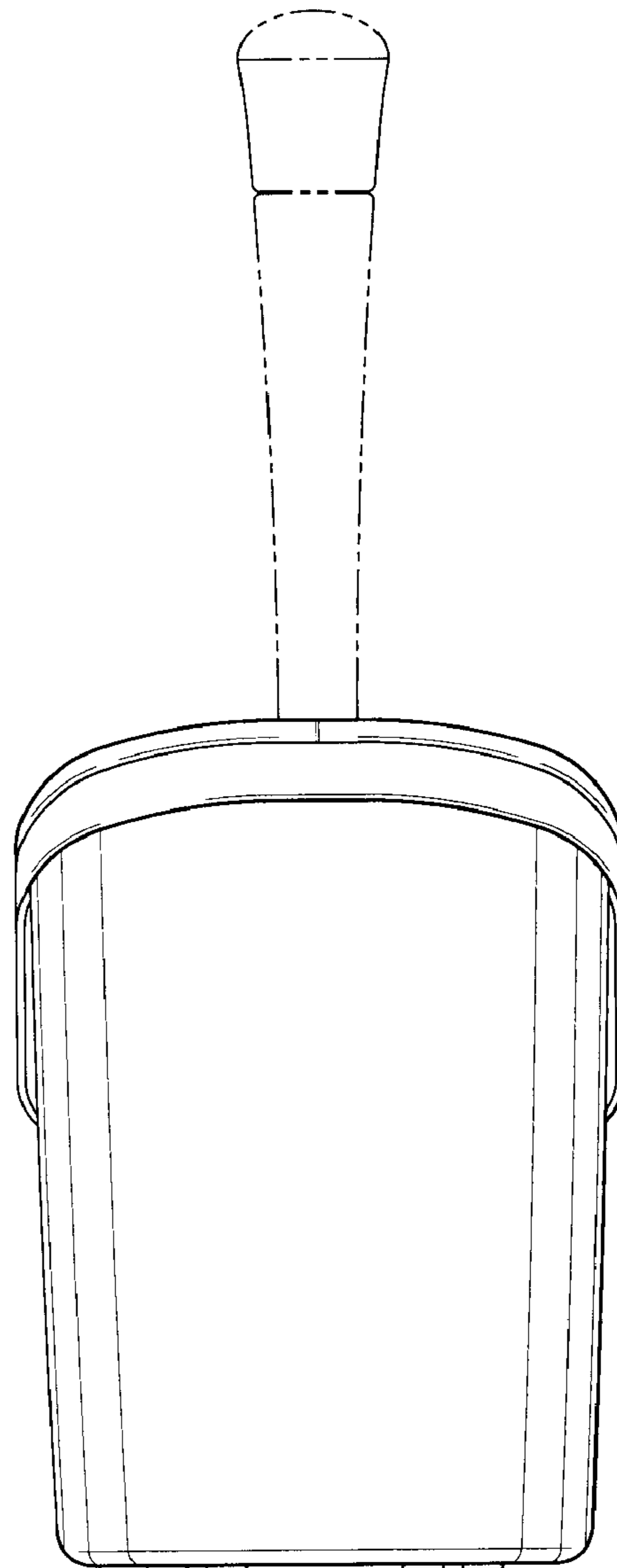


Fig-4

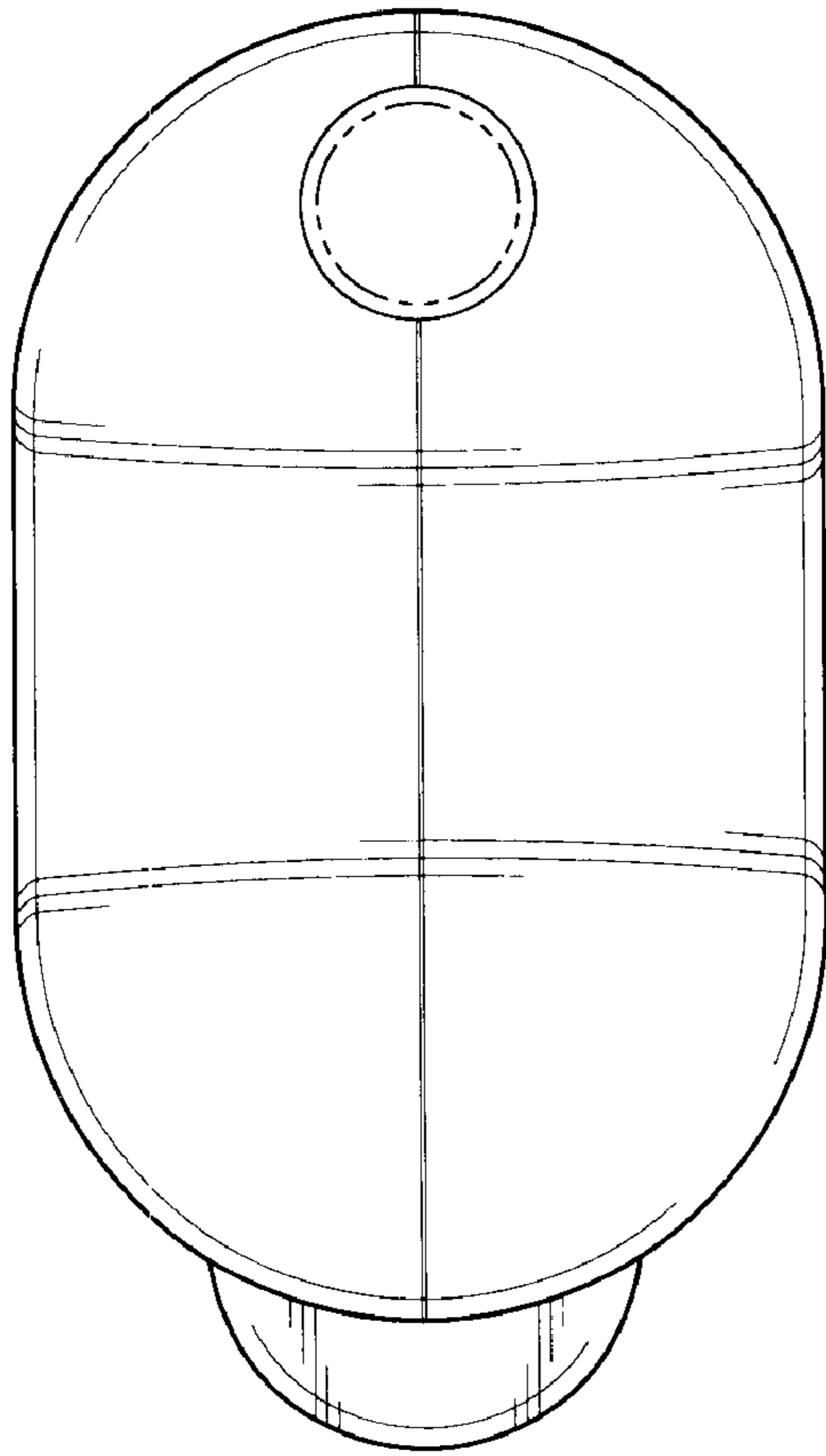


Fig-5

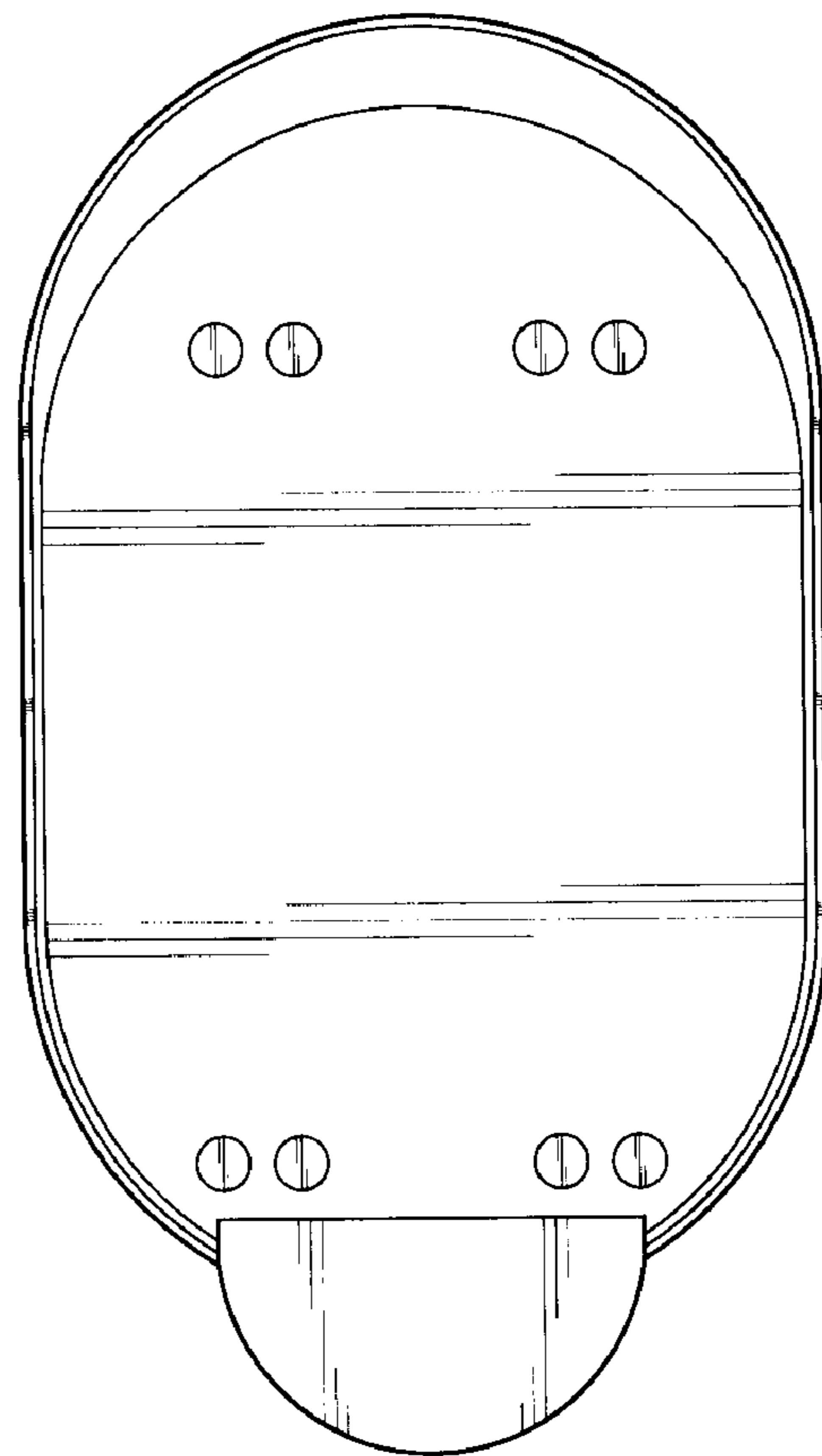


Fig-6