

US00D528331S

(12) **United States Design Patent**  
**Mohundro**

(10) **Patent No.:** **US D528,331 S**

(45) **Date of Patent:** **\*\* Sep. 19, 2006**

(54) **BED FOOTBOARD**

(75) **Inventor:** **James Glenn Mohundro**, Taichung (TW)

(73) **Assignee:** **Pacific Marketing International (H.K.), Ltd.**, Taichung (TW)

(\*\*) **Term:** **14 Years**

(21) **Appl. No.:** **29/203,521**

(22) **Filed:** **Apr. 16, 2004**

(51) **LOC (8) Cl.** ..... **06-06**

(52) **U.S. Cl.** ..... **D6/505**

(58) **Field of Classification Search** ..... D6/382,  
D6/383, 390-395, 505-508; 5/53.1, 907,  
5/279.1, 280, 281, 308

See application file for complete search history.

(56) **References Cited**

**U.S. PATENT DOCUMENTS**

- D368,178 S \* 3/1996 Walters et al. .... D6/393
- D387,919 S \* 12/1997 Keller et al. .... D6/393
- D404,217 S \* 1/1999 Zaidman et al. .... D6/393

**OTHER PUBLICATIONS**

Furniture South, Apr. 1982, p. 4 bed.\*

Furniture Today, Oct. 21, 1996, p. 133, bed.\*

\* cited by examiner

*Primary Examiner*—Janice E. Seeger

(74) *Attorney, Agent, or Firm*—Rosenberg, Klein & Lee

(57) **CLAIM**

The ornamental design for a bed footboard, as shown and described.

**DESCRIPTION**

FIG. 1 is a perspective view of a bed footboard, showing my new design;

FIG. 2 is a front elevational view thereof;

FIG. 3 is a rear elevational view thereof;

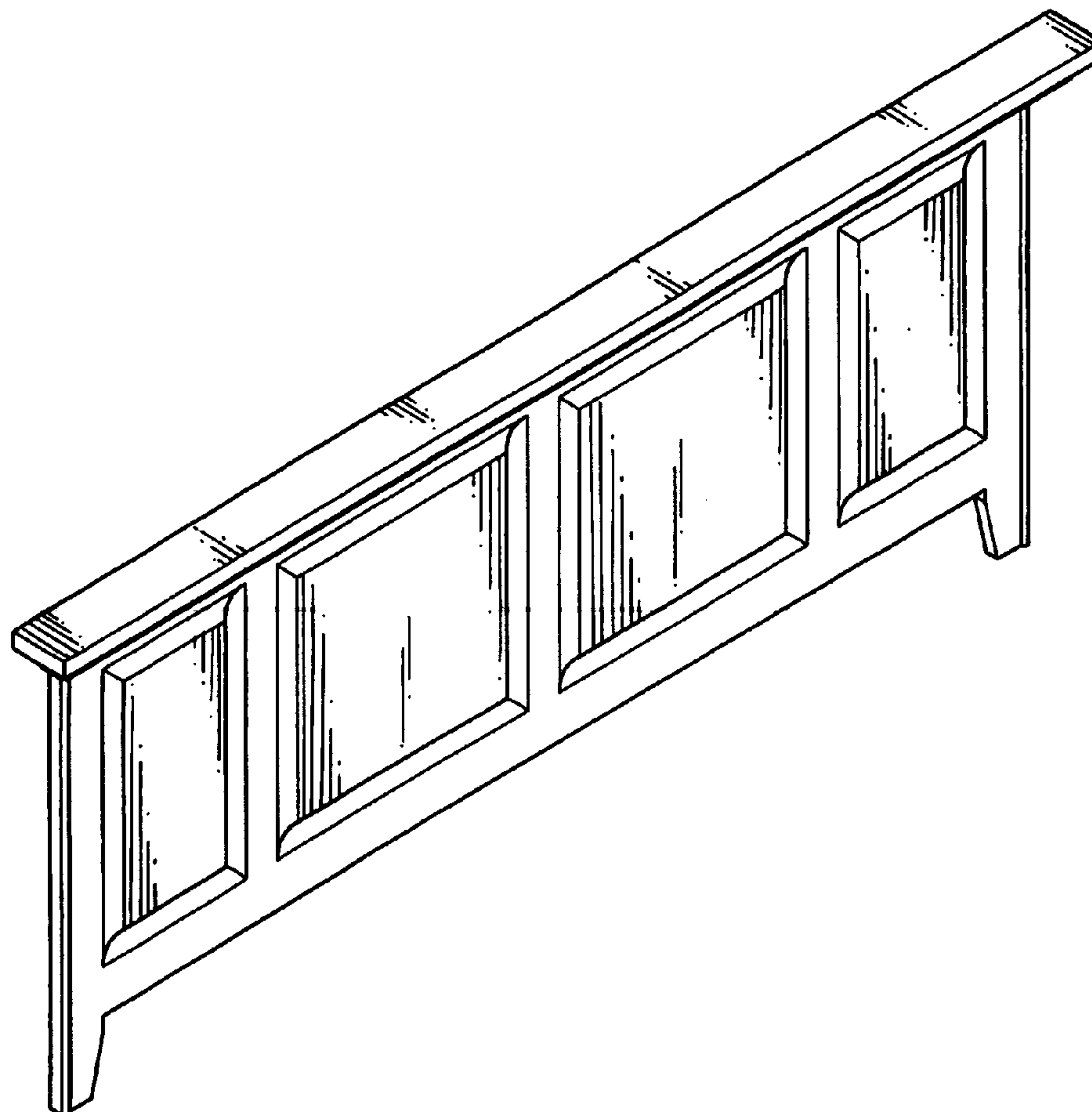
FIG. 4 is a left elevational view thereof;

FIG. 5 is a right elevational view thereof;

FIG. 6 is a top plan view thereof; and,

FIG. 7 is a bottom plan view thereof.

**1 Claim, 5 Drawing Sheets**



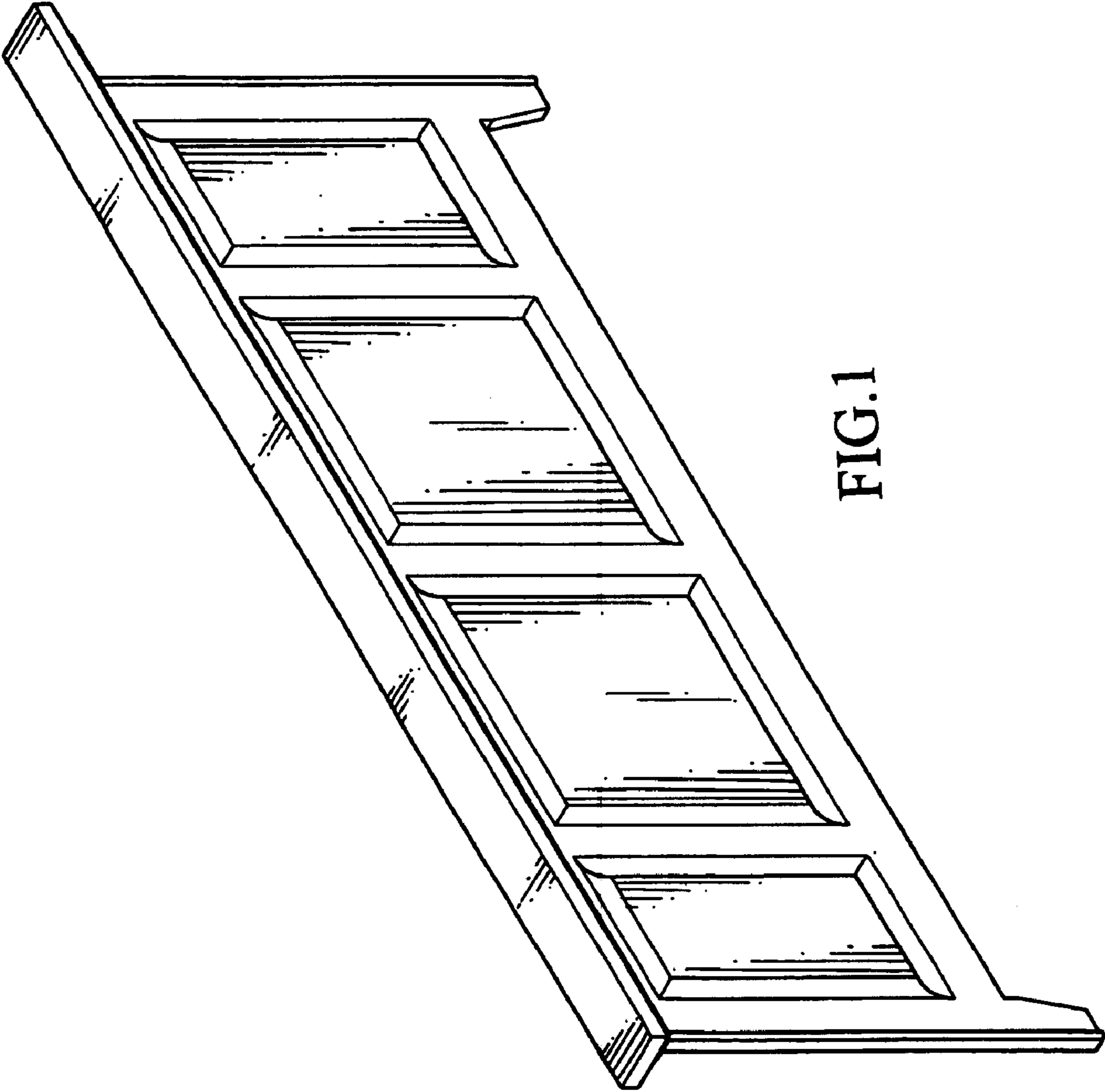


FIG. 1

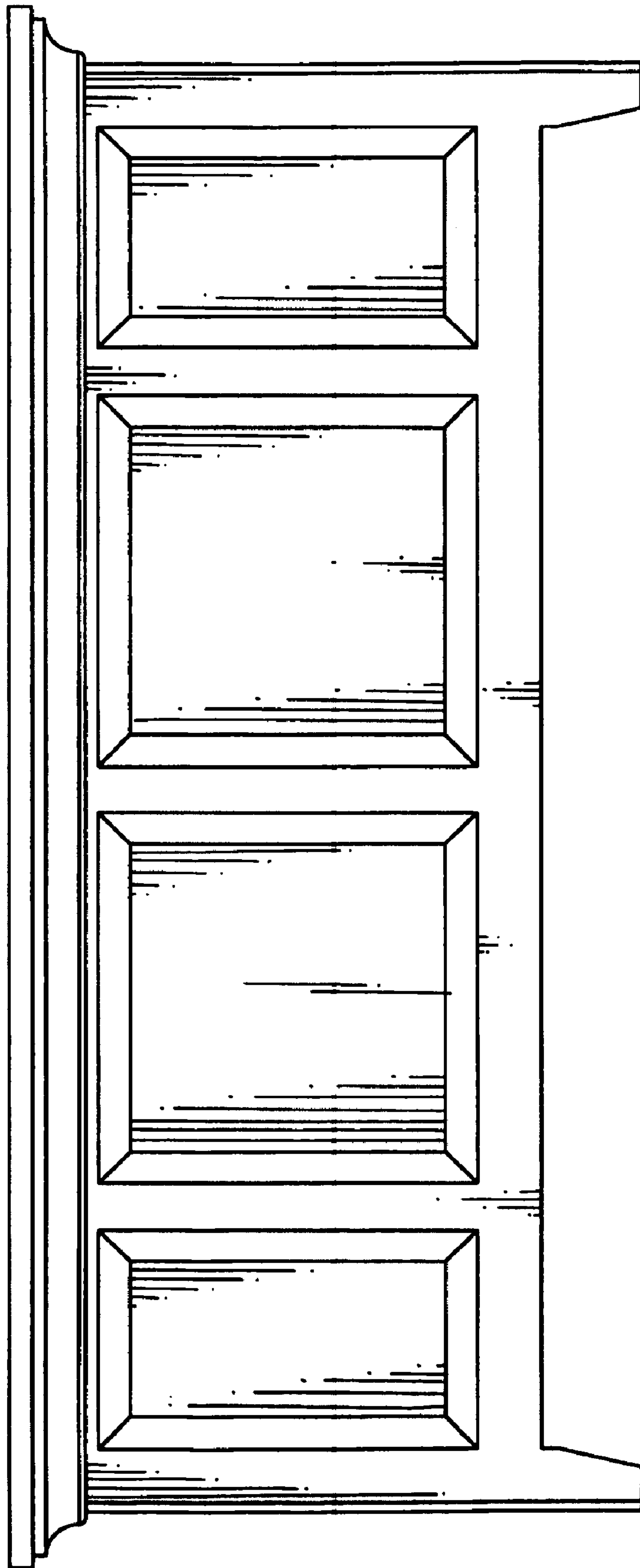


FIG.2

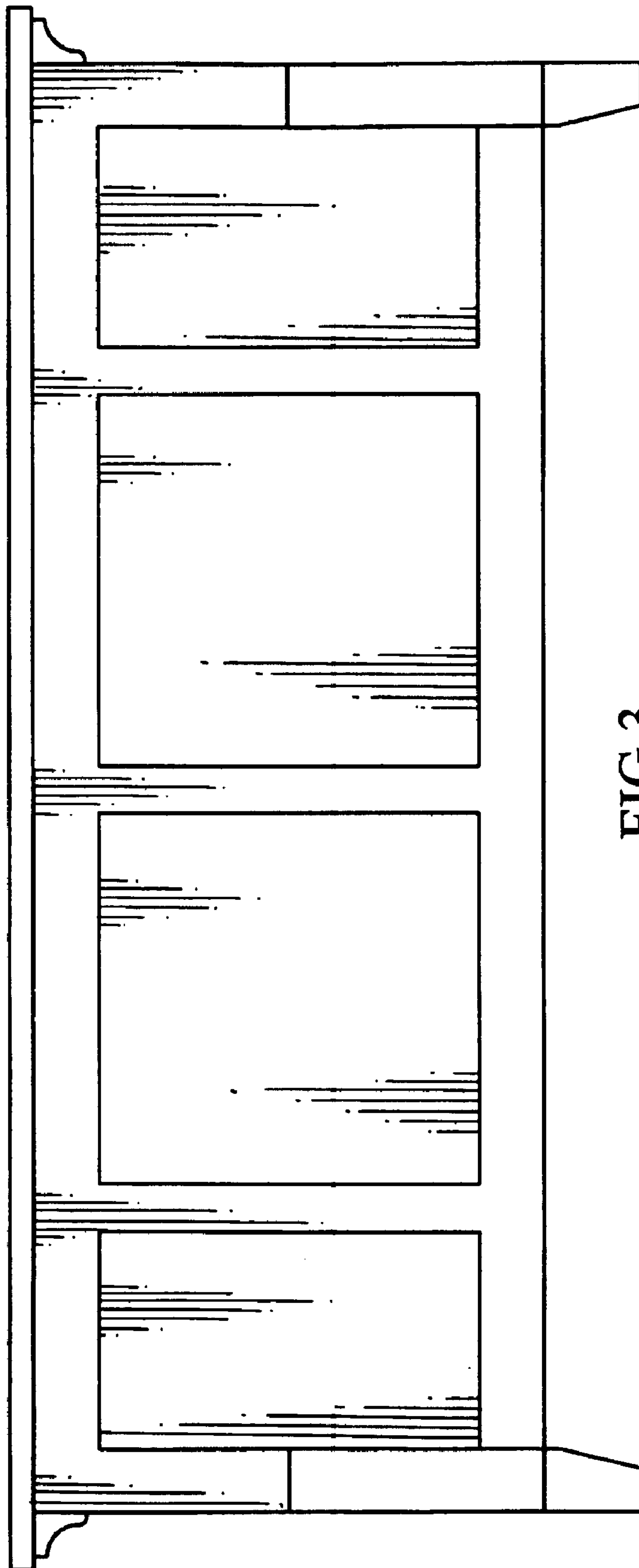


FIG.3



FIG. 5

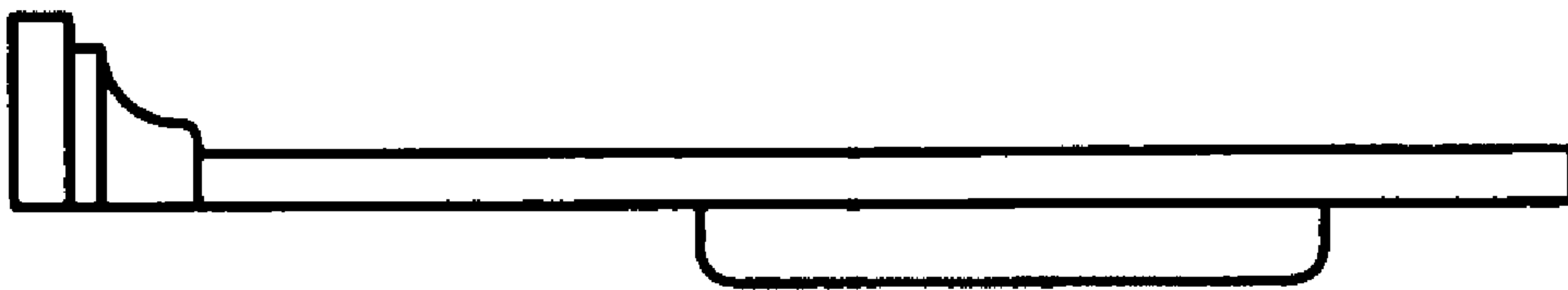


FIG. 4



FIG. 6



FIG. 7