



US00D528322S

(12) **United States Design Patent** (10) **Patent No.:** **US D528,322 S**  
**Nicoletti** (45) **Date of Patent:** **\*\* Sep. 19, 2006**

(54) **SOFA**  
(75) Inventor: **Giuseppe Nicoletti**, Matera (IT)  
(73) Assignee: **Nicoletti S.p.A.**, Matera (IT)  
(\*\*) Term: **14 Years**

(21) Appl. No.: **29/229,104**  
(22) Filed: **May 4, 2005**

(30) **Foreign Application Priority Data**

Nov. 4, 2004 (IT) ..... RM2004O0070

(51) **LOC (8) Cl.** ..... **06-01**  
(52) **U.S. Cl.** ..... **D6/381**  
(58) **Field of Classification Search** ..... D6/334,  
D6/335, 373, 381, 383, 341, 500-502, 358;  
297/232-233, 445.1, 452.11, 452.12, 452.38;  
5/12.1, 12.2

See application file for complete search history.

(56) **References Cited**

**U.S. PATENT DOCUMENTS**

D168,059 S \* 10/1952 Maurer ..... D6/381  
D179,073 S \* 10/1956 Glass ..... D6/381  
D355,784 S \* 2/1995 Natuzzi et al. .... D6/381  
D426,397 S \* 6/2000 Nicoletti ..... D6/381  
D466,324 S \* 12/2002 Nicoletti ..... D6/381  
D468,549 S \* 1/2003 Nicoletti ..... D6/381  
D493,299 S \* 7/2004 Nicoletti ..... D6/381  
D495,896 S \* 9/2004 Ricci ..... D6/381  
D497,734 S \* 11/2004 Nastri ..... D6/381  
D514,842 S \* 2/2006 Natuzzi ..... D6/381  
D515,836 S \* 2/2006 Nicoletti ..... D6/381  
D516,336 S \* 3/2006 Natuzzi ..... D6/381

**OTHER PUBLICATIONS**

Natuzzi sofa, model #824, International Home Furnishings Market, High Point, NC, Oct. 1990, 2 pgs.\*  
Natuzzi sofa, model #817, International Home Furnishings Market, High Point, NC, Oct. 1990, 2 pgs.\*

Natuzzi sofa, model #806, International Home Furnishings Market, High Point, NC, Oct. 1990, 2 pgs.\*  
Natuzzi sofa, model #974, International Home Furnishings Market, High Point, NC Oct. 1992, 2 pgs.\*  
Natuzzi sofa, model #797, International Home Furnishings Market, High Point, NC, Oct. 1990, 2 pgs.\*  
Natuzzi sofa, model #718, International Home Furnishings Market, High Point, NC, Oct. 1989, 2 pgs.\*  
Natuzzi sofa, model #726, International Home Furnishings Market, High Point, NC, Oct. 1989, 2 pgs.\*  
Natuzzi sofa, model #719, International Home Furnishings Market, High Point, NC, Oct. 1989, 1 pg.\*  
Natuzzi sofa, model #1377, International Home Furnishings Market, High Point, NC, Oct. 1995, 2 pgs.\*  
Natuzzi sofa, model #1499, International Home Furnishings Market, High Point, NC, Oct. 1996, 2 pgs.\*  
Natuzzi sofa, model #872, International Home Furnishings Market, High Point, NC, Oct. 1990, 2 pgs.\*  
Natuzzi sofa, model #1000, International Home Furnishings Market, High Point, NC, Apr. 1993, 2 pgs.\*

\* cited by examiner

*Primary Examiner*—Sandra S. Snapp  
(74) *Attorney, Agent, or Firm*—Young & Thompson

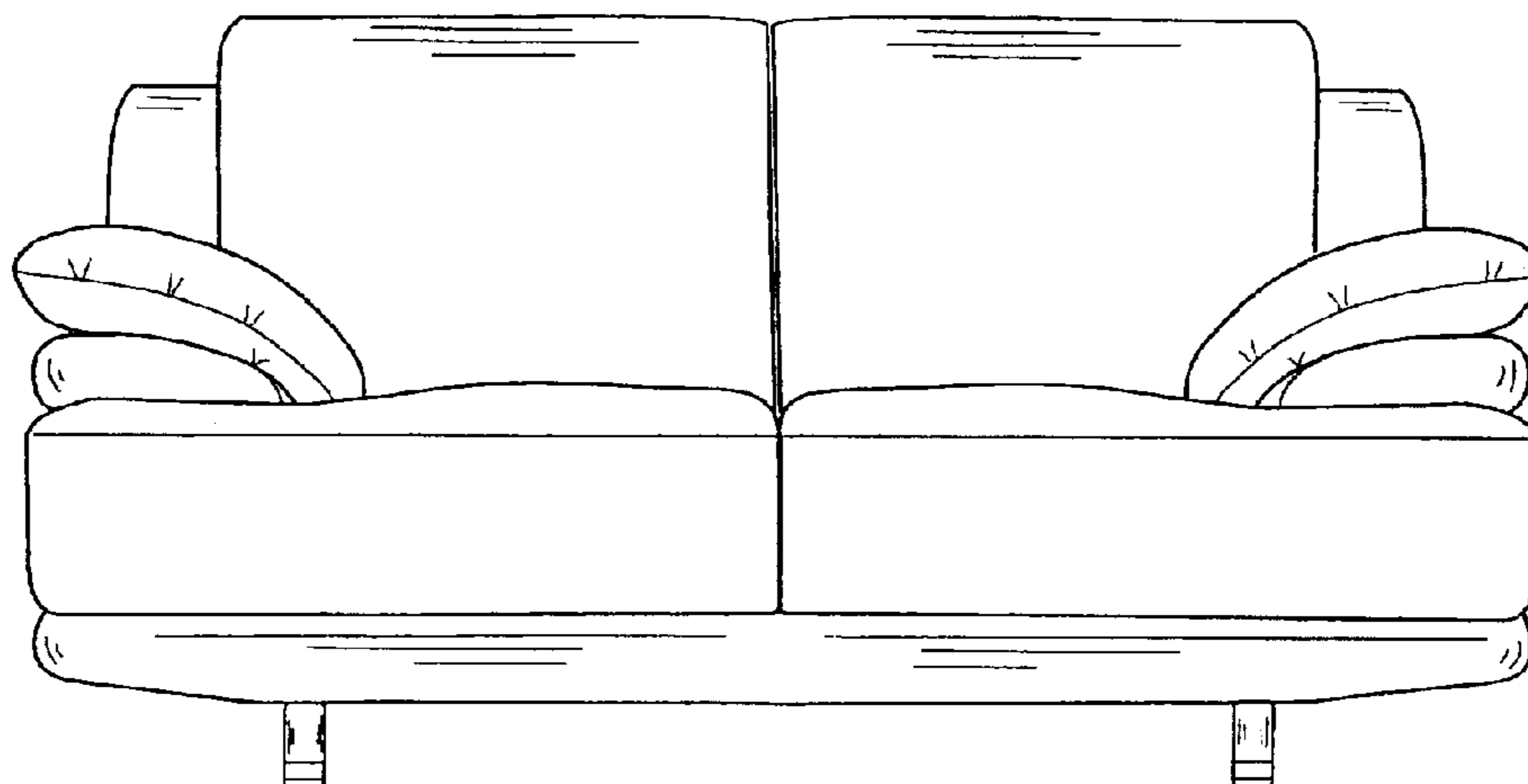
(57) **CLAIM**

The ornamental design for a sofa, as shown and described.

**DESCRIPTION**

FIG. 1 is a front perspective view of a sofa showing my new design;  
FIG. 2 is an end perspective view thereof taken from the left of FIG. 1, the end perspective view thereof taken from the right of FIG. 1 being the mirror image thereof;  
FIG. 3 is a top plan view thereof; and,  
FIG. 4 is a rear perspective view thereof.

**1 Claim, 4 Drawing Sheets**



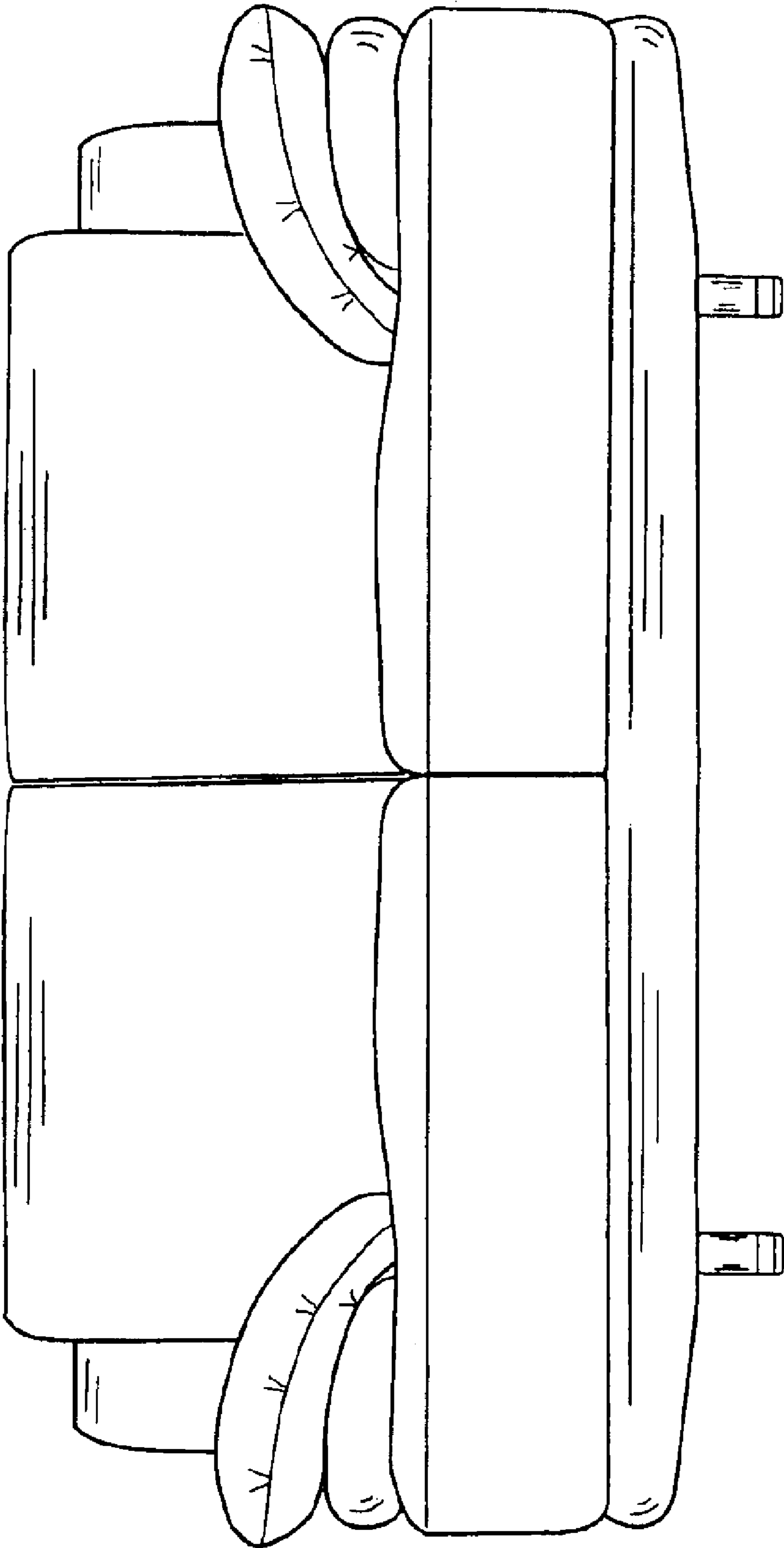


Fig. 1

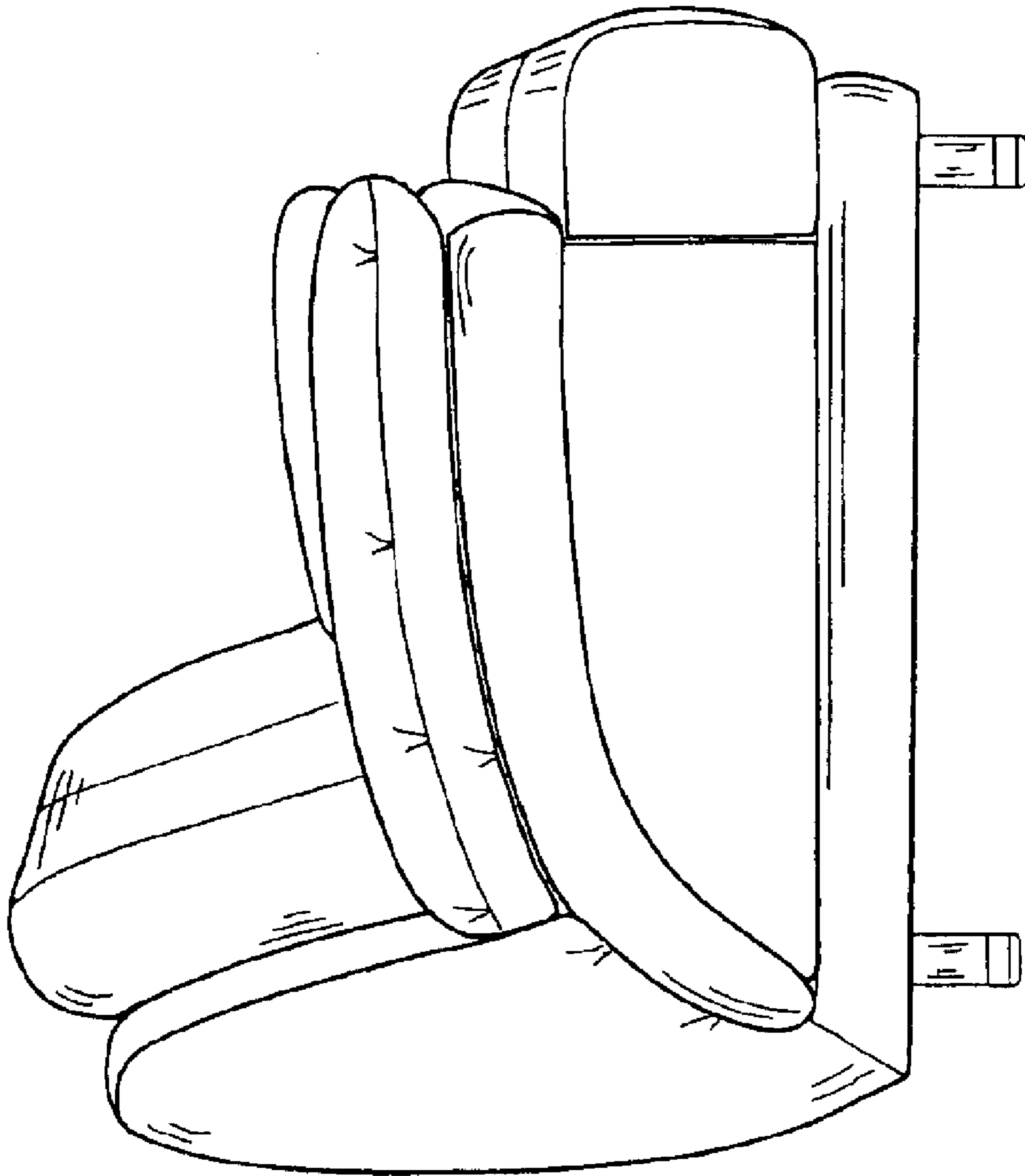


Fig. 2

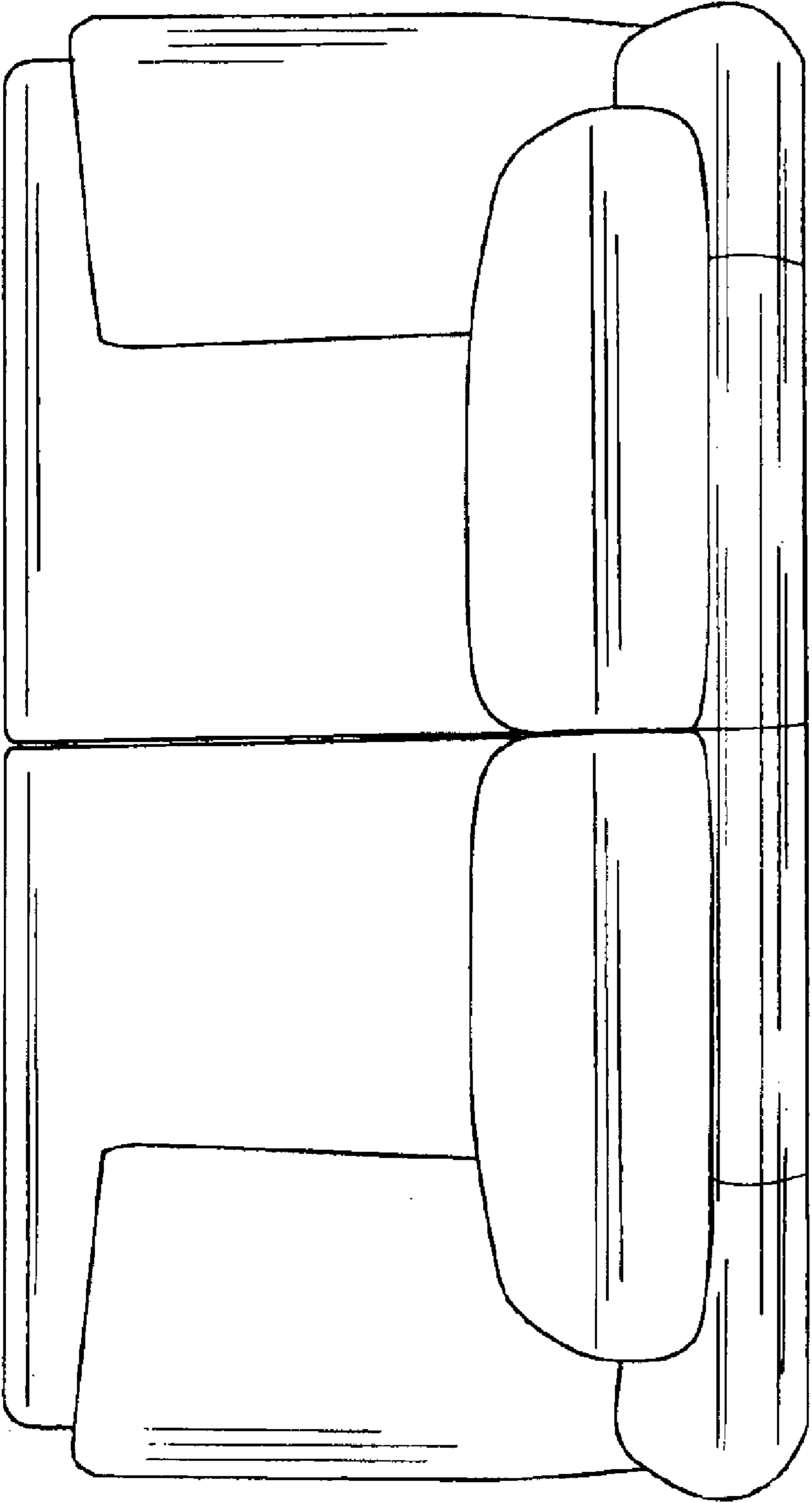


Fig. 3

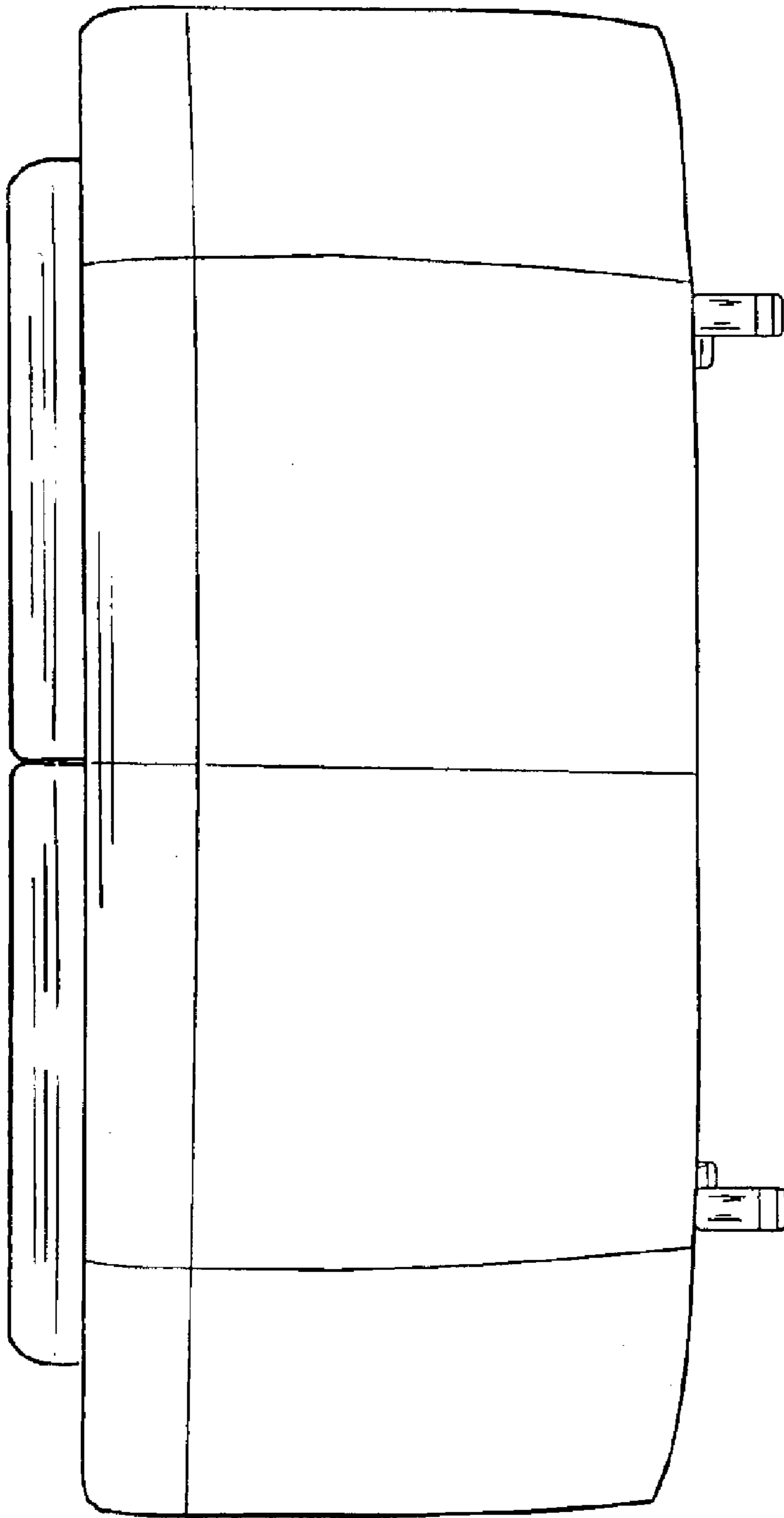


Fig. 4