



US00D528318S

(12) **United States Design Patent**
Tseng

(10) **Patent No.:** **US D528,318 S**

(45) **Date of Patent:** **** Sep. 19, 2006**

(54) **CHAIR**

(75) Inventor: **Chuen-Jong Tseng**, Chiayi Hsien (TW)

(73) Assignee: **Taiwan Shin Yeh Enterprise Co., Ltd.**,
Chiayi Hsien (TW)

(**) Term: **14 Years**

(21) Appl. No.: **29/253,158**

(22) Filed: **Feb. 1, 2006**

(51) **LOC (8) Cl.** **06-01**

(52) **U.S. Cl.** **D6/376; D6/374; D6/379**

(58) **Field of Classification Search** **D6/334-335,**
D6/369, 374, 375, 376, 379, 380, 381, 500-502;
297/445.1, 446.1, 451.9
See application file for complete search history.

(56) **References Cited**

U.S. PATENT DOCUMENTS

D374,781 S	*	10/1996	Martin	D6/379
D434,921 S	*	12/2000	Tseng	D6/376
D486,659 S	*	2/2004	Tseng	D6/376
D486,660 S	*	2/2004	Tseng	D6/376
D486,661 S	*	2/2004	Tseng	D6/376

D486,662 S	*	2/2004	Tseng	D6/376
D486,972 S	*	2/2004	Tseng	D6/379
D486,973 S	*	2/2004	Tseng	D6/379
D491,381 S	*	6/2004	Tseng	D6/376
D493,295 S	*	7/2004	Tseng	D6/379
D502,017 S	*	2/2005	Tseng	D6/374
D502,333 S	*	3/2005	Tseng	D6/376

* cited by examiner

Primary Examiner—Mimosa De

(74) *Attorney, Agent, or Firm*—Ladas & Parry LLP

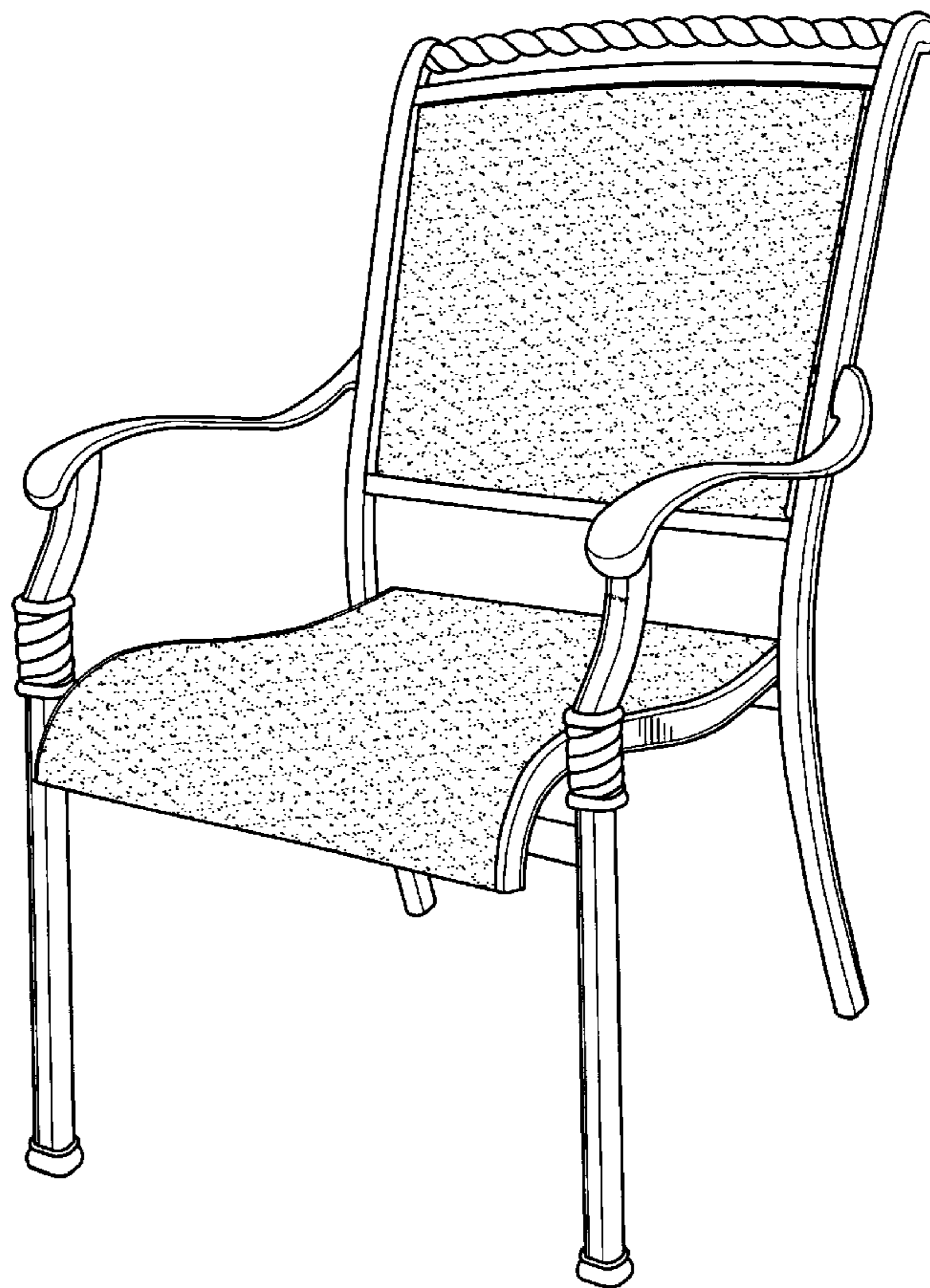
(57) **CLAIM**

The ornamental design for chair, as shown and described.

DESCRIPTION

FIG. 1 is a perspective view of chair showing my new design;
FIG. 2 is a front elevational view thereof;
FIG. 3 is a rear elevational view thereof;
FIG. 4 is a left side elevational view thereof;
FIG. 5 is a right side elevational view thereof;
FIG. 6 is a top plan view thereof; and,
FIG. 7 is a bottom plan view thereof.

1 Claim, 4 Drawing Sheets



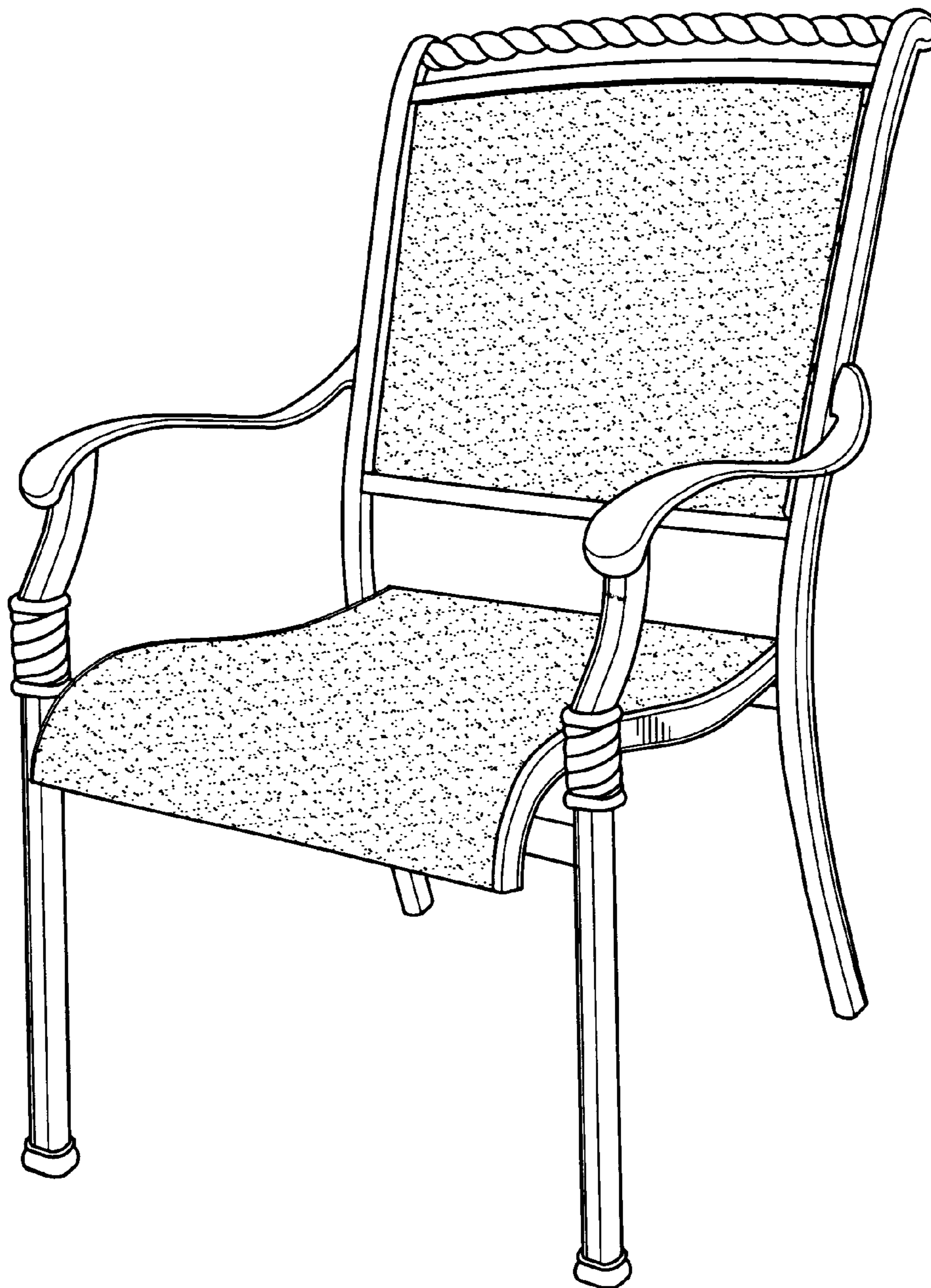


FIG. 1

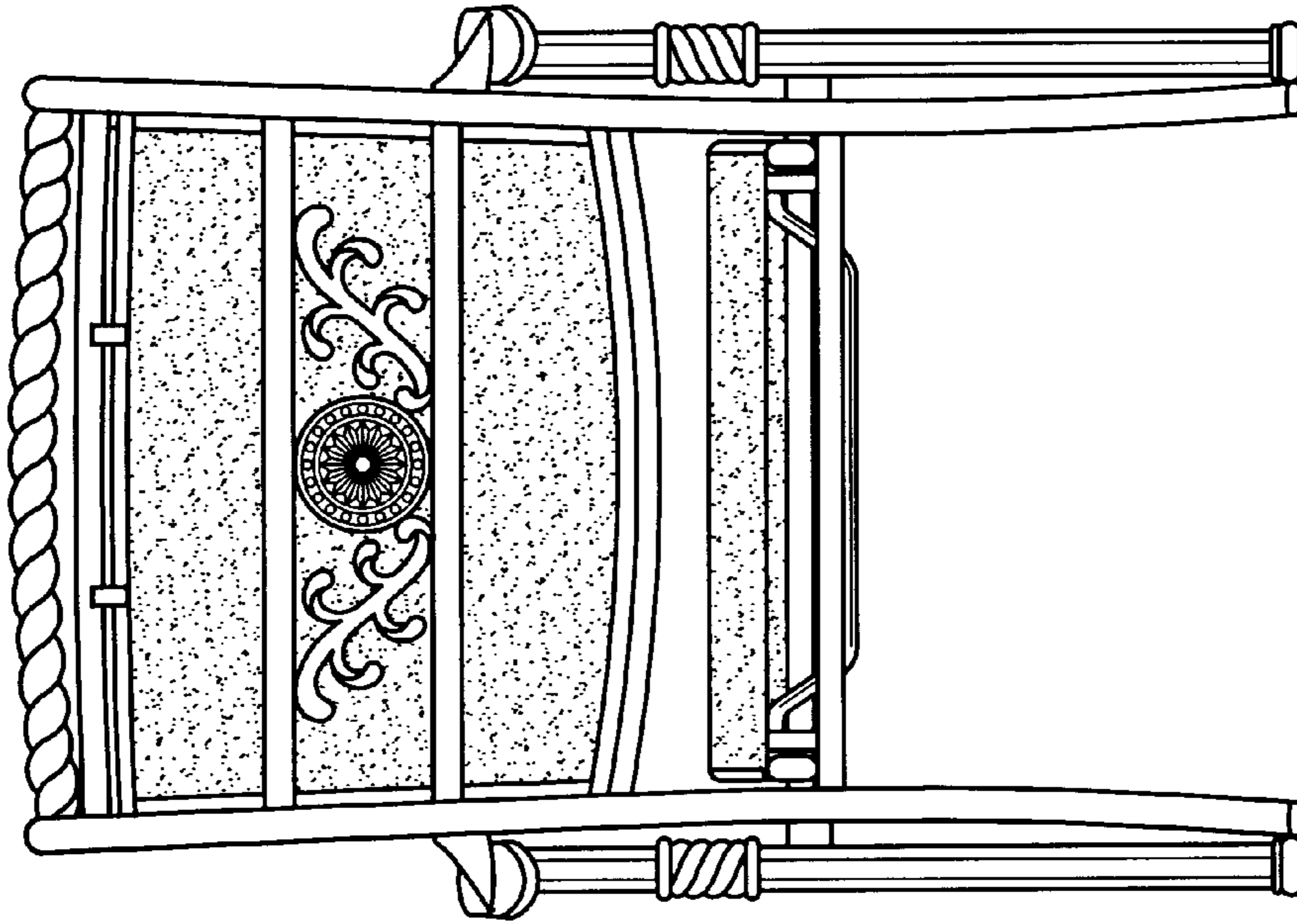


FIG. 3

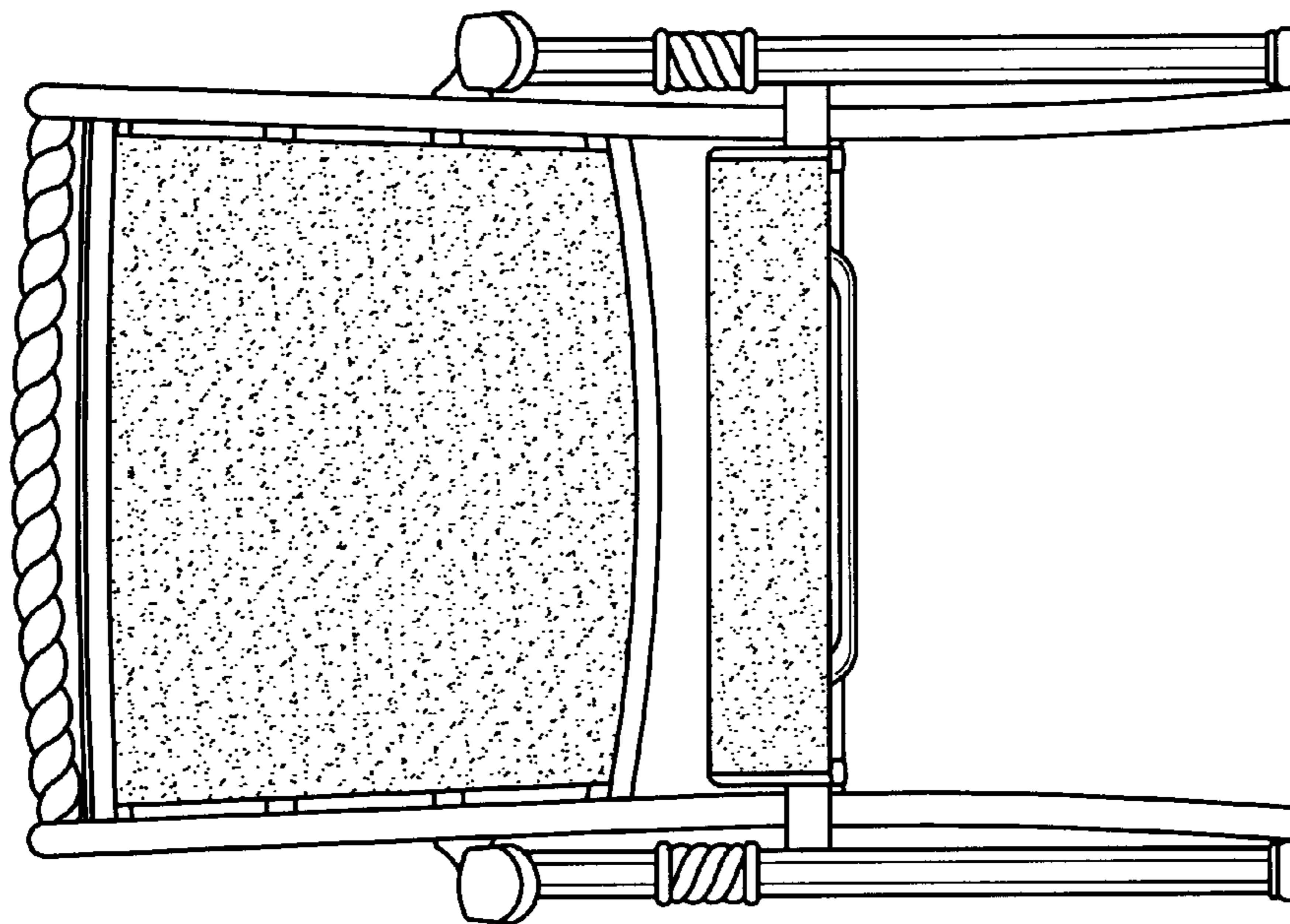


FIG. 2

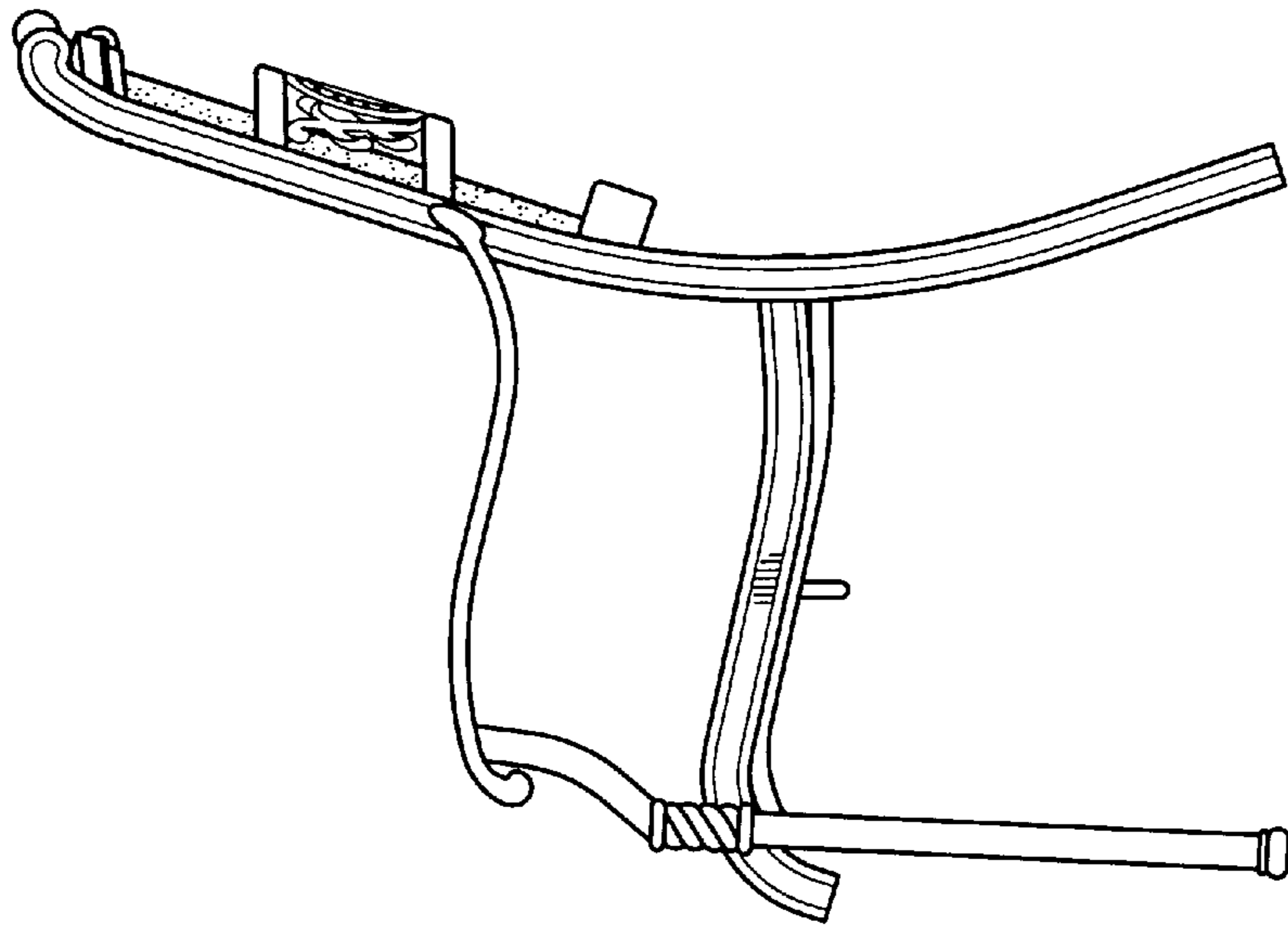


FIG. 5

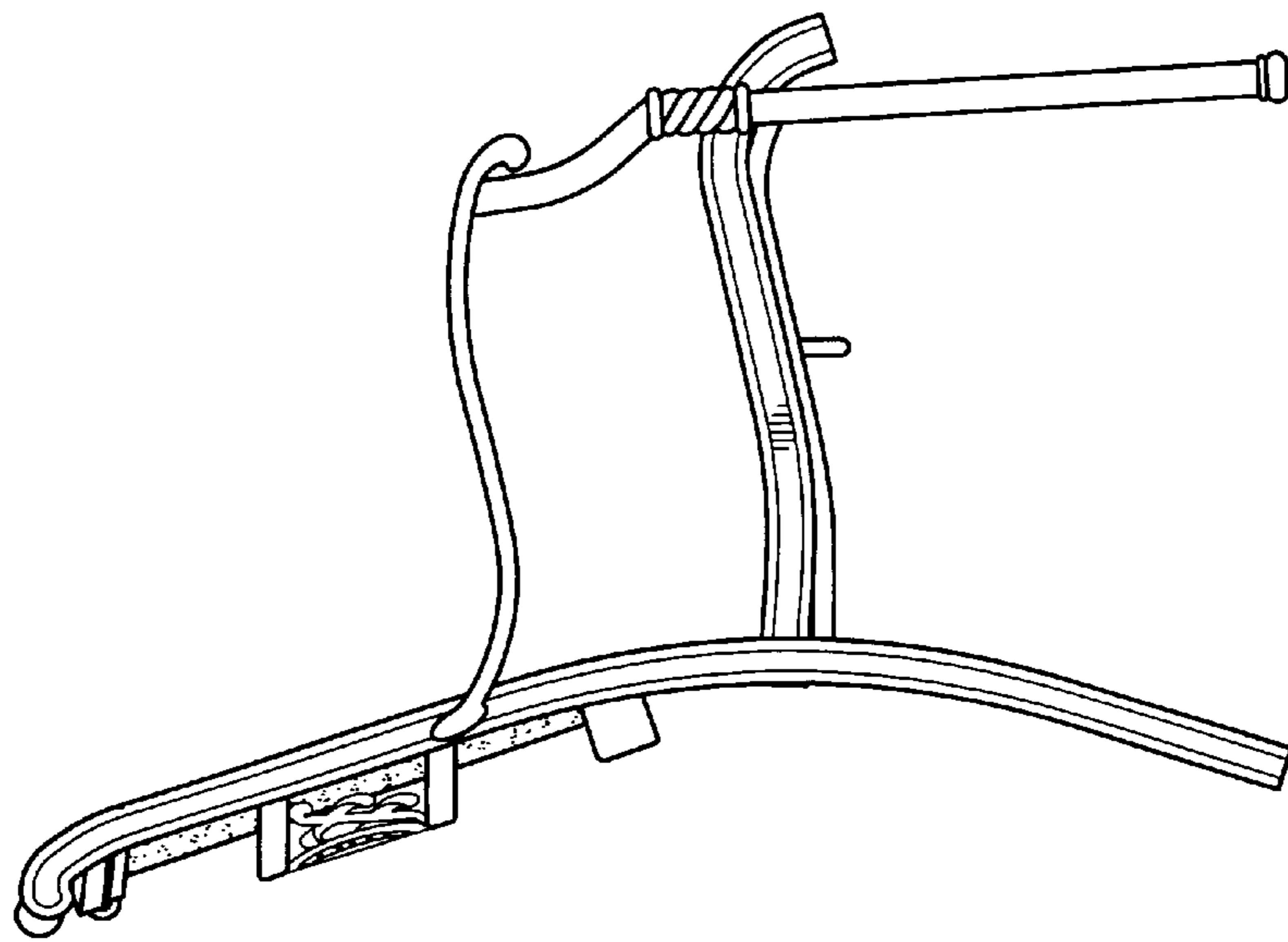


FIG. 4

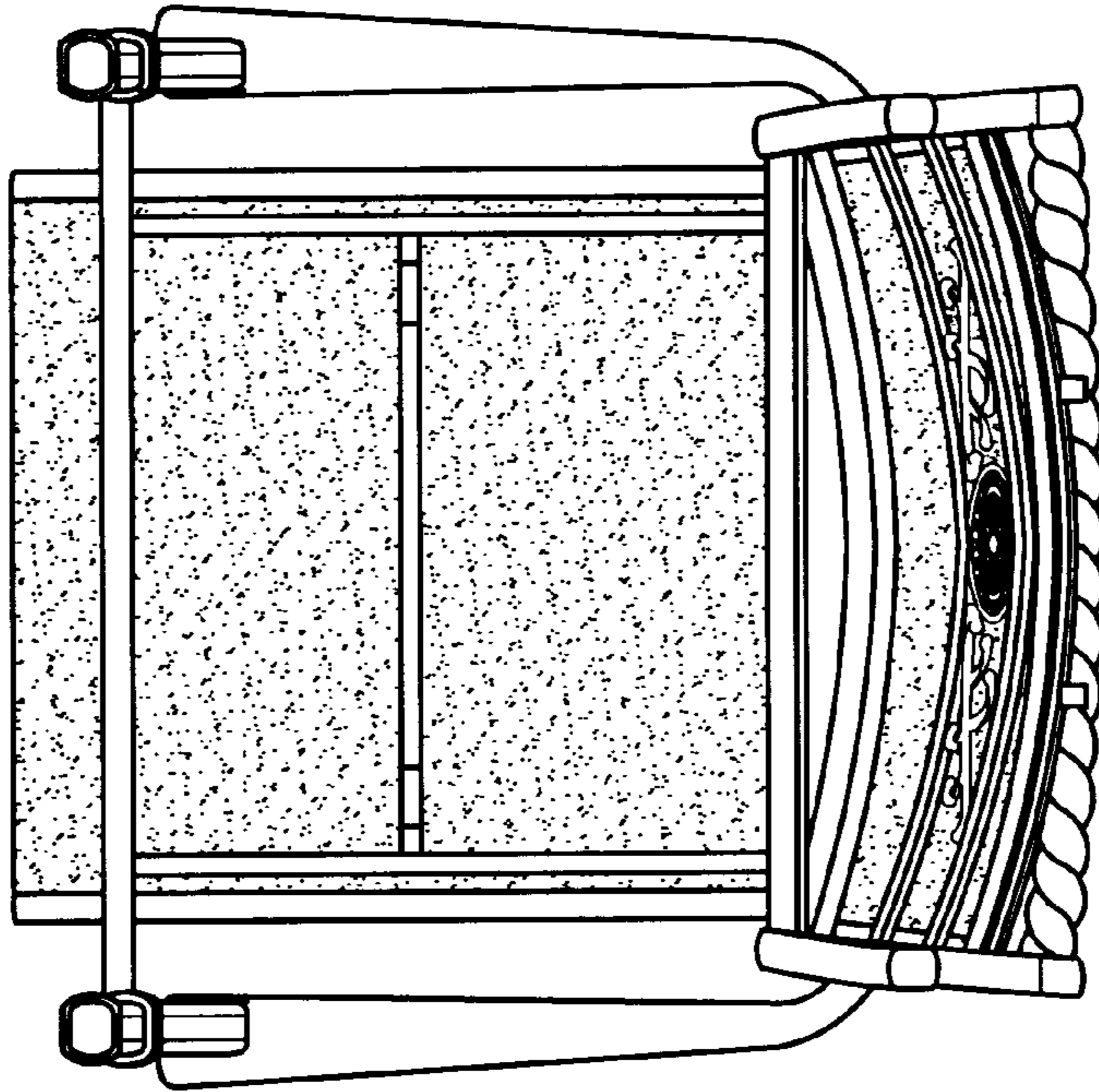


FIG. 7

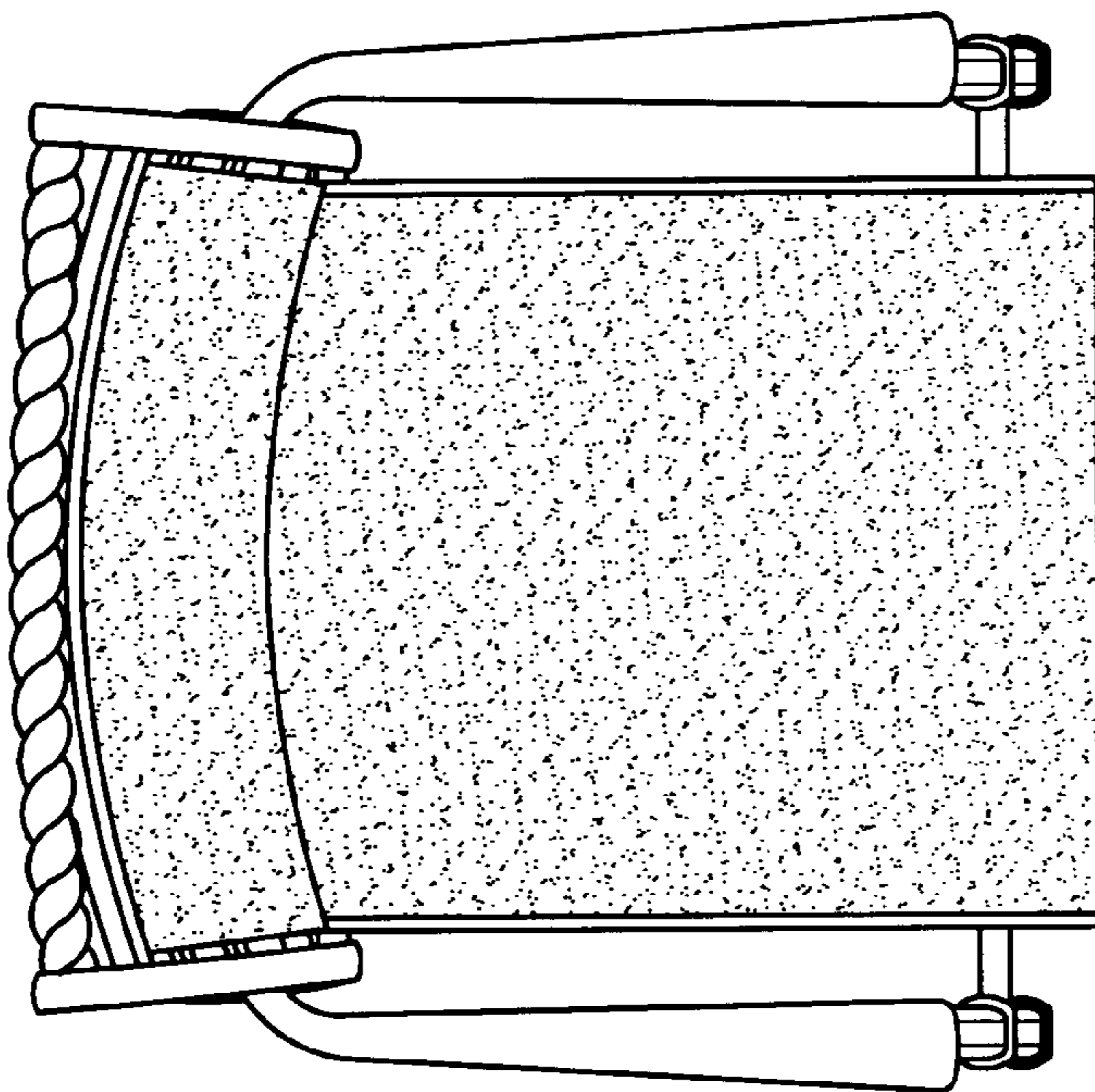


FIG. 6