



US00D528317S

(12) **United States Design Patent**
Tseng

(10) **Patent No.:** **US D528,317 S**

(45) **Date of Patent:** **** Sep. 19, 2006**

(54) **CHAIR**

(76) Inventor: **Chun-Hsien Tseng**, No. 3, Ting-Hsi Hsin, Lu-Man Tsun, Chu-Chi Hsiang, Chiayi Hsien (TW)

(**) Term: **14 Years**

(21) Appl. No.: **29/244,607**

(22) Filed: **Dec. 12, 2005**

(51) **LOC (8) Cl.** **06-01**

(52) **U.S. Cl.** **D6/368**

(58) **Field of Classification Search** D6/333-335, D6/367, 368, 371-376, 500-502; 297/16.1, 297/16.2, 19, 21, 22, 31, 46, 47, 50, 56, 440.11, 297/452.12, 452.13

See application file for complete search history.

(56) **References Cited**

U.S. PATENT DOCUMENTS

D191,704 S * 11/1961 Stauffer D6/375

D191,786 S * 11/1961 Kaltsas D6/368

D213,870 S * 4/1969 Hamilton, II et al. D6/333

D475,860 S * 6/2003 Yang D6/367

D499,258 S * 12/2004 Tseng D6/368

* cited by examiner

Primary Examiner—Mimosa De

(74) *Attorney, Agent, or Firm*—Caesar, Rivise, Bernstein, Cohen & Pokotilow, Ltd.

(57) **CLAIM**

The ornamental design for chair, as shown and described.

DESCRIPTION

FIG. 1 is a perspective view of chair showing my new design;

FIG. 2 is a front elevational view thereof;

FIG. 3 is a rear elevational view thereof;

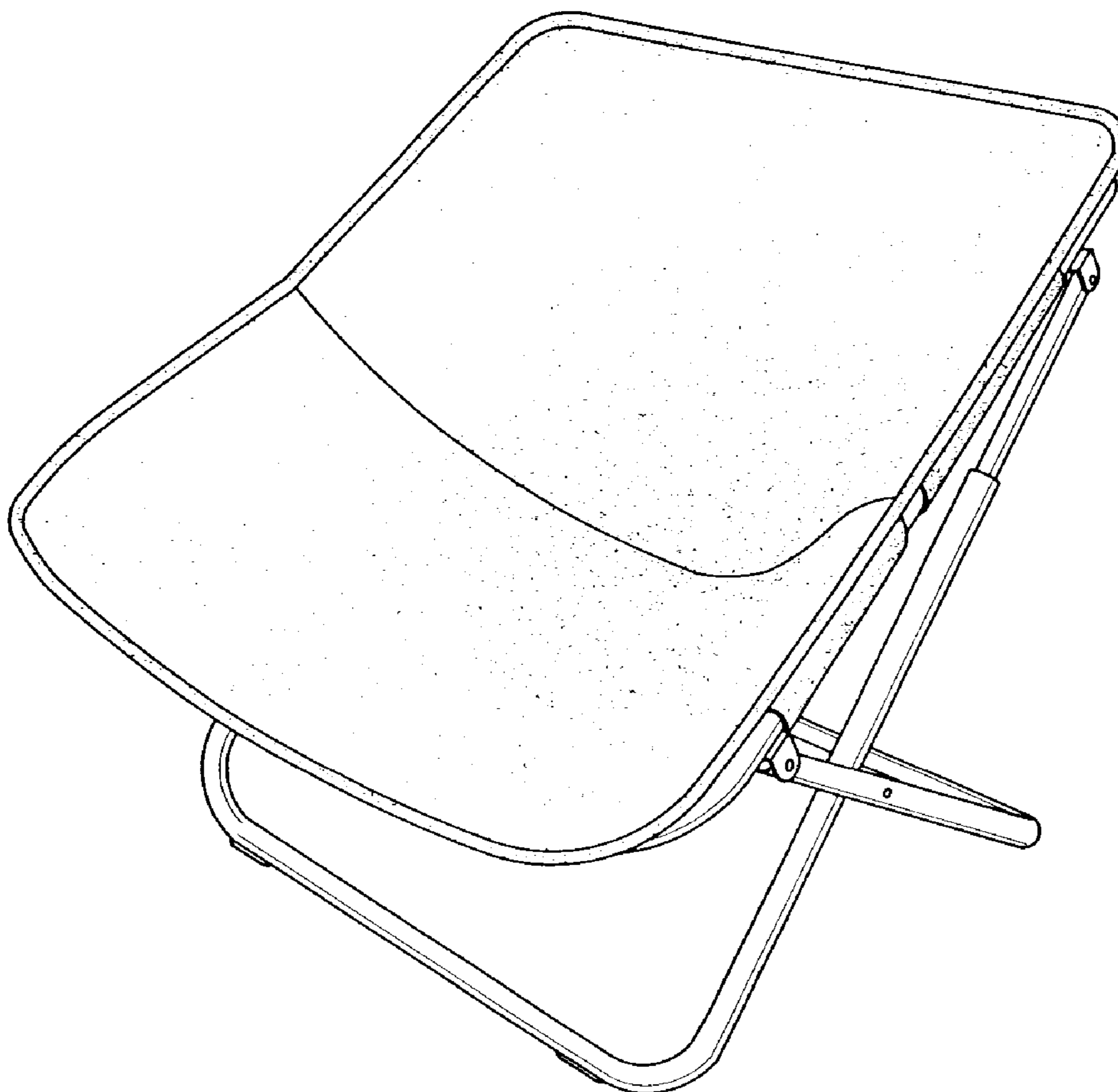
FIG. 4 is a left side elevational view thereof;

FIG. 5 is a right side elevational view thereof;

FIG. 6 is a top plan view thereof; and,

FIG. 7 is a bottom plan view thereof.

1 Claim, 4 Drawing Sheets



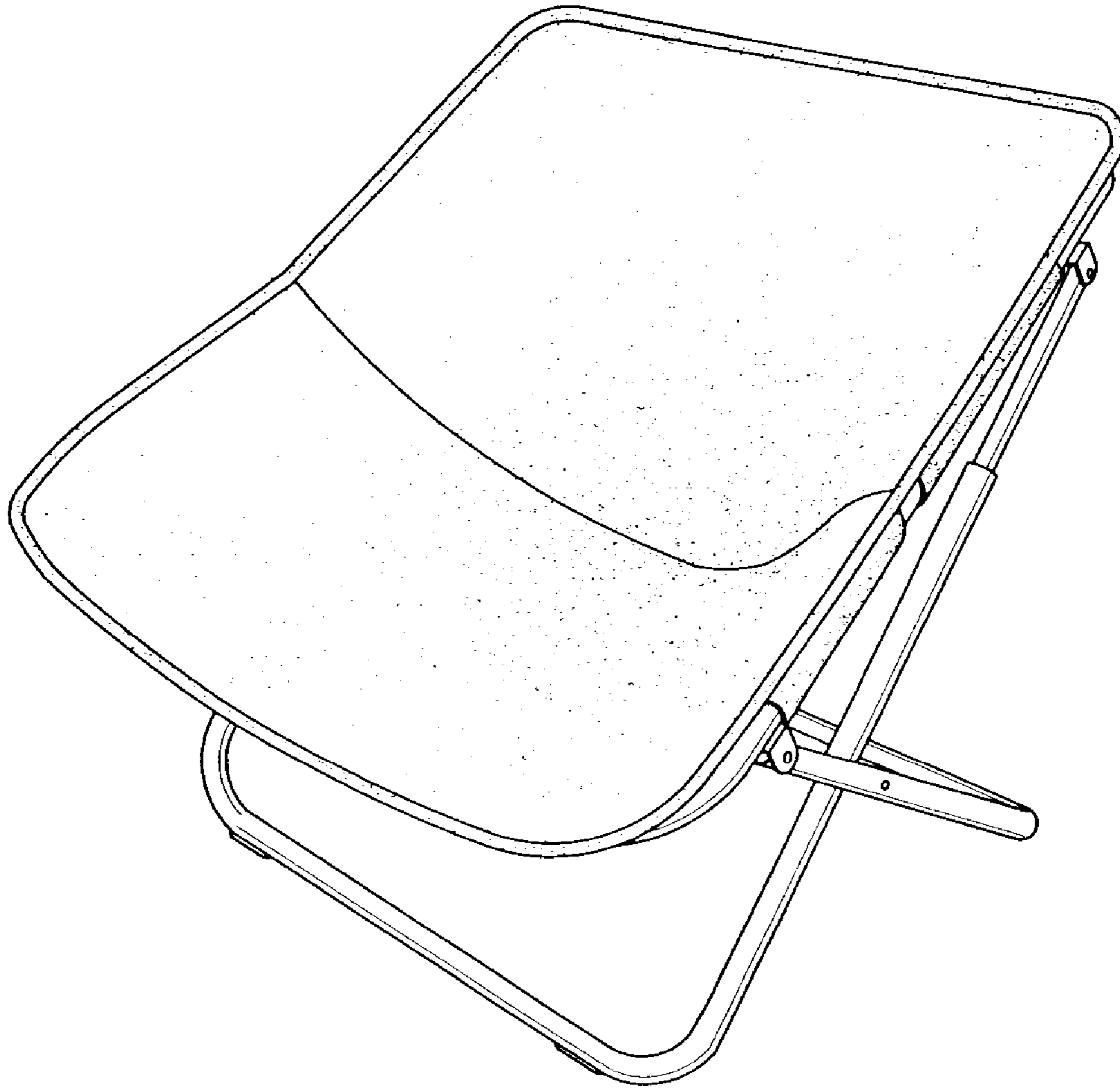


FIG. 1

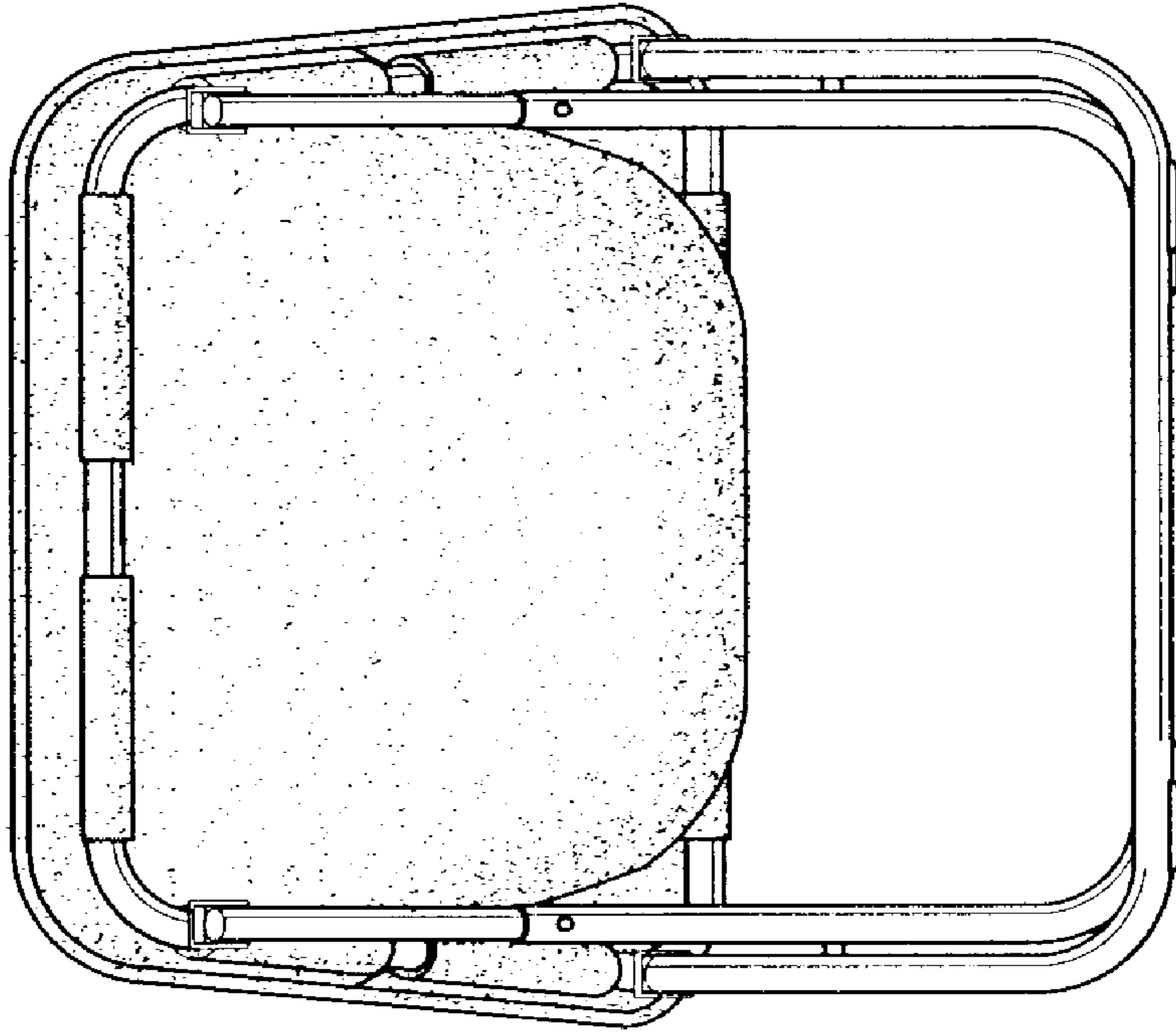


FIG. 3

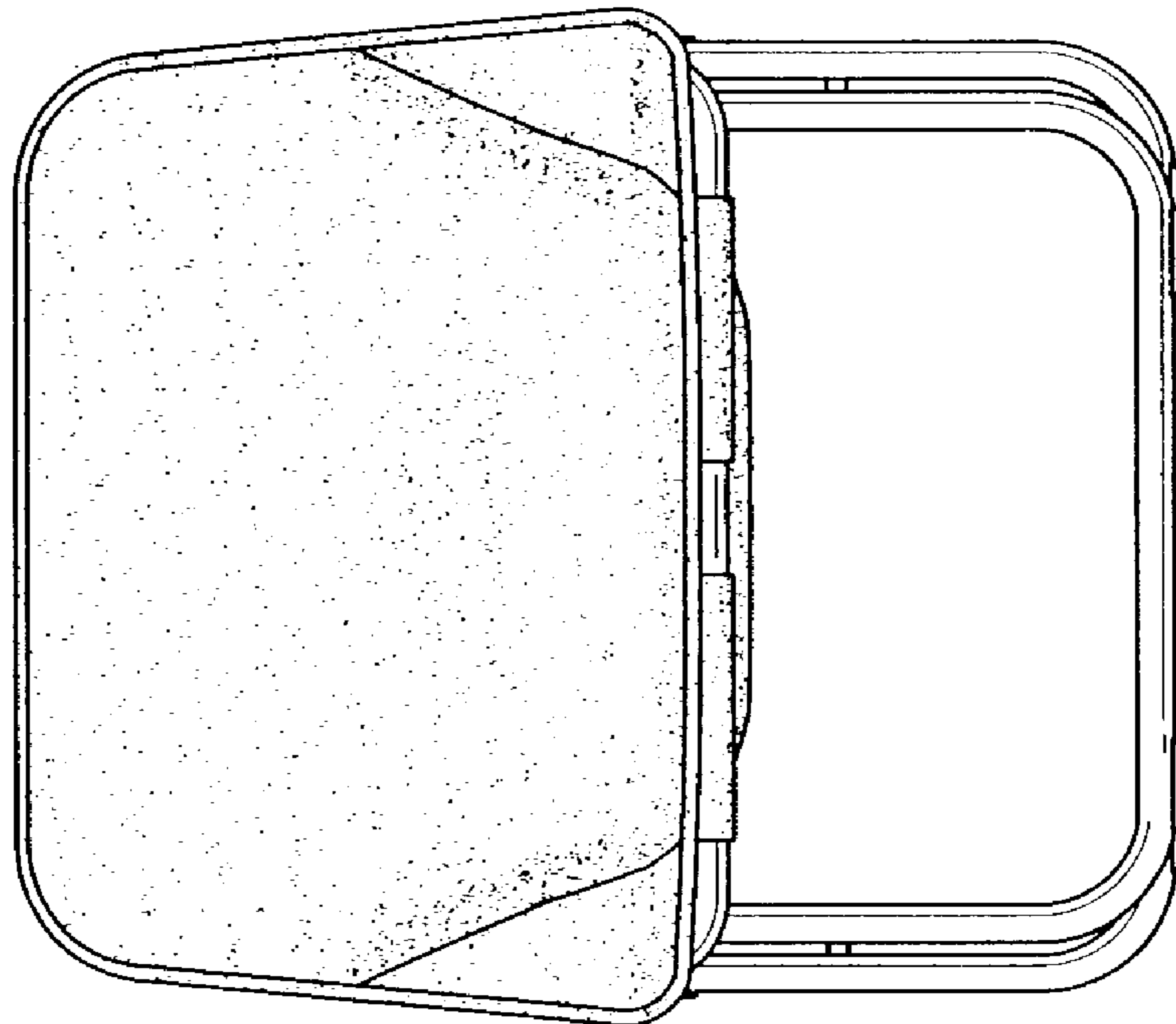


FIG. 2

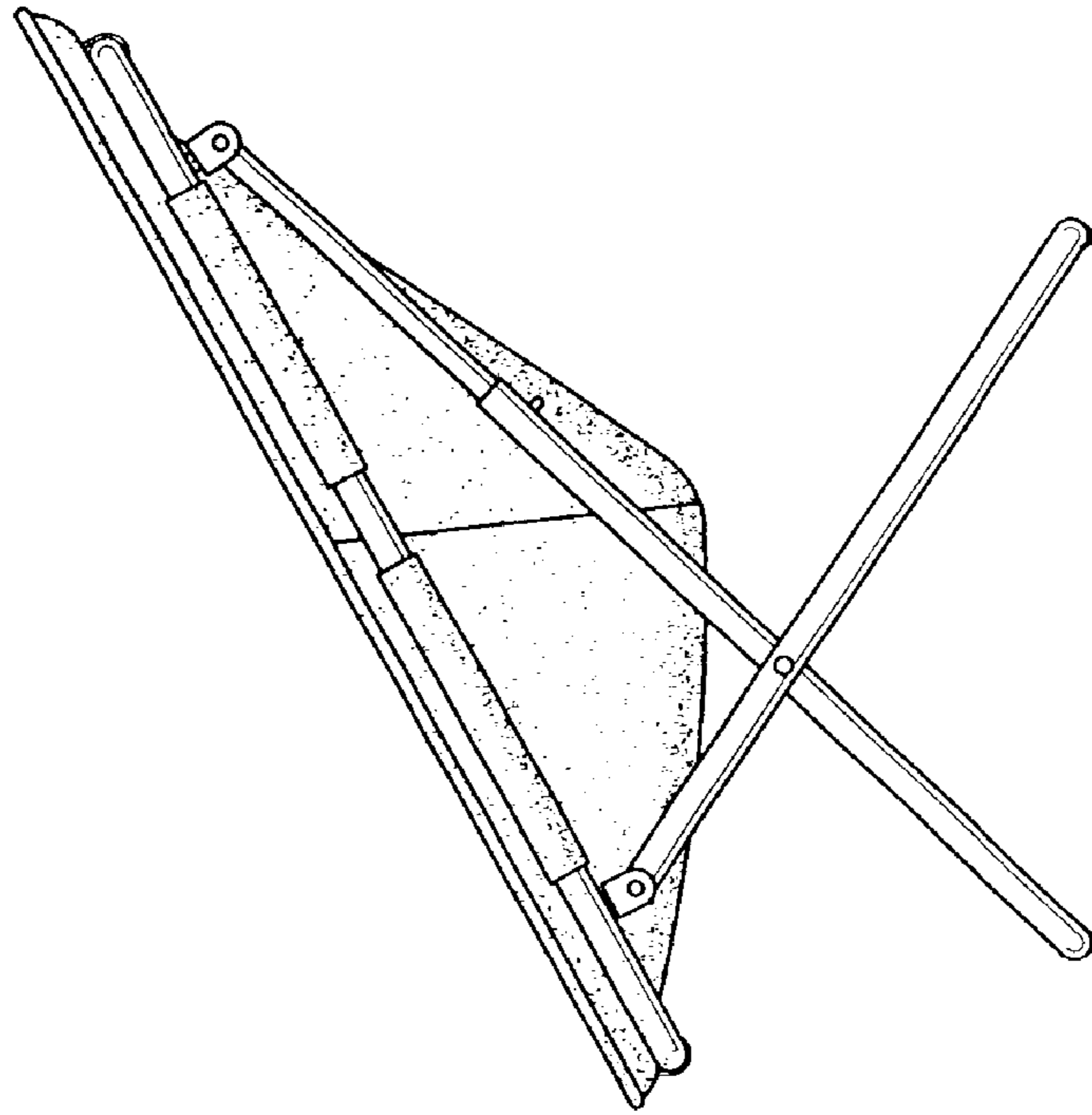


FIG. 5

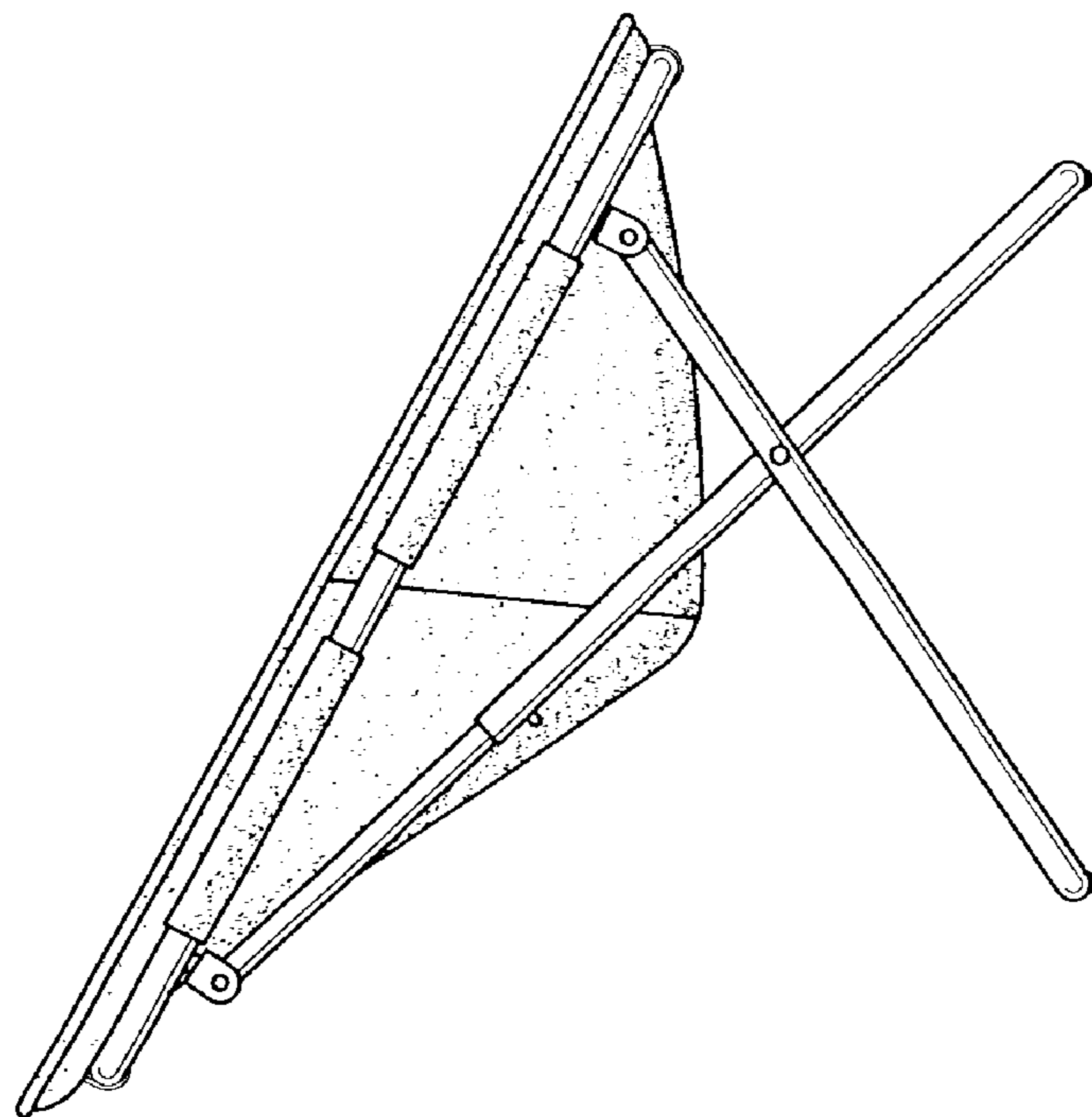


FIG. 4

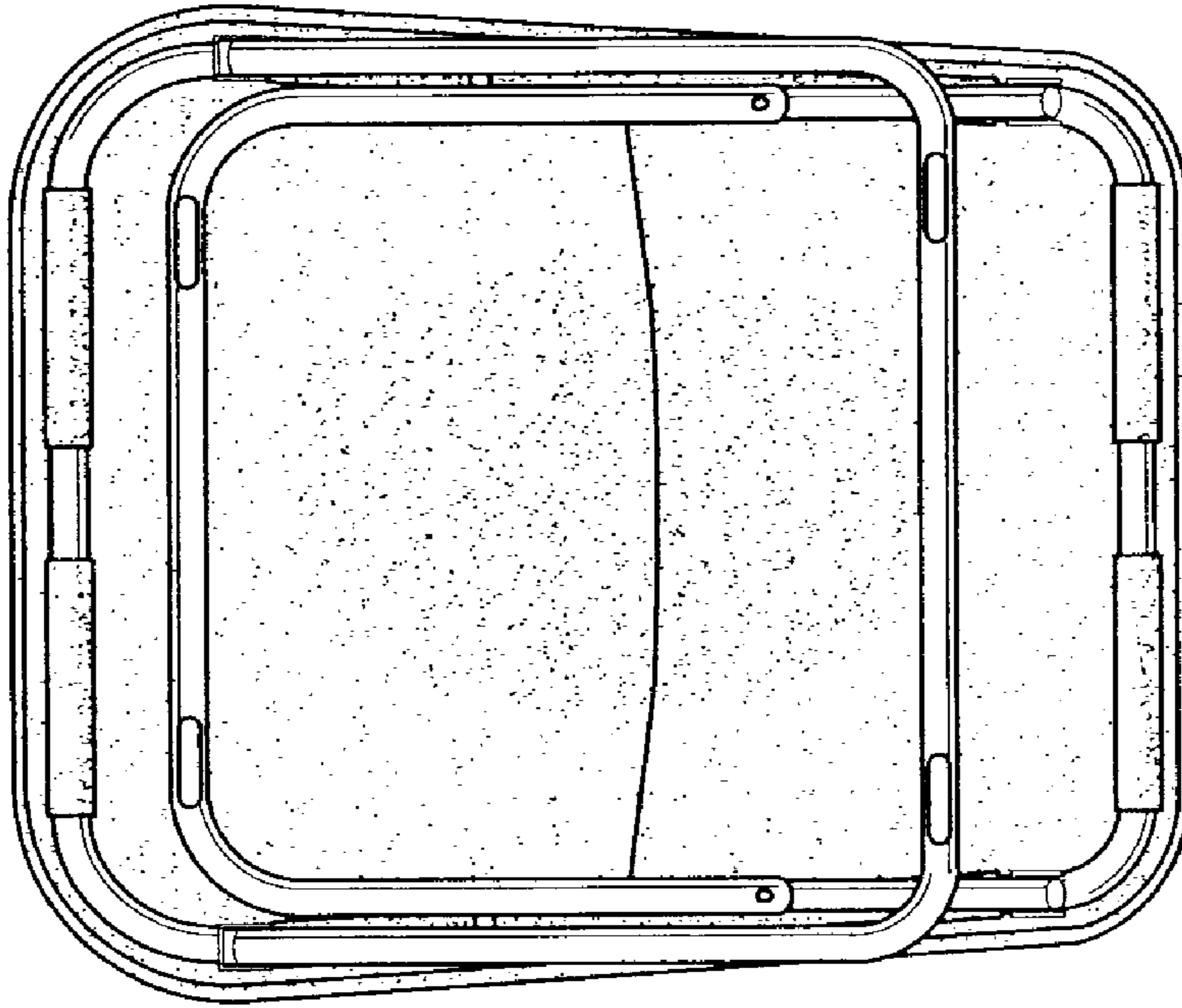


FIG. 7

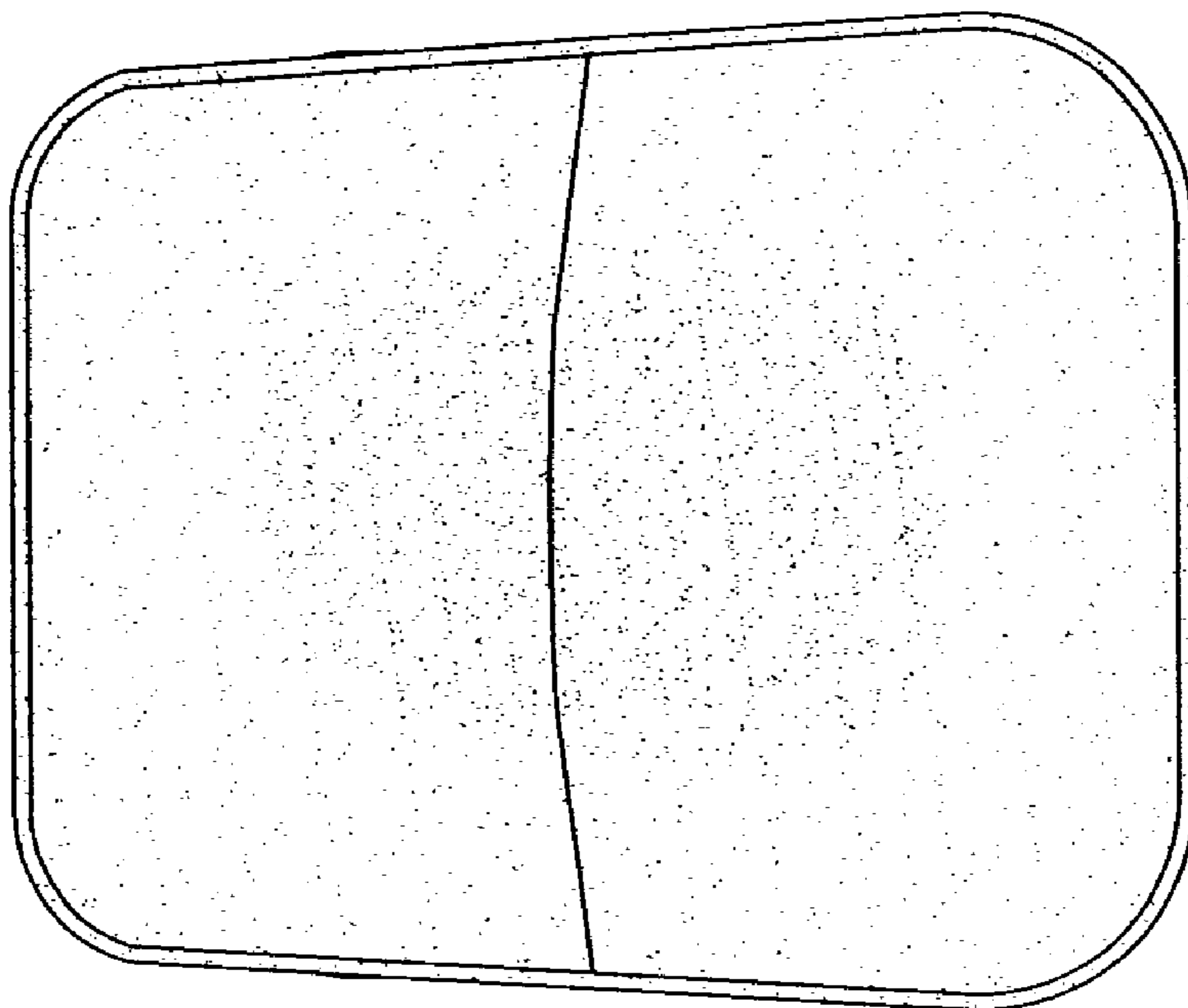


FIG. 6