



US00D528315S

(12) **United States Design Patent**
Tseng

(10) **Patent No.:** **US D528,315 S**
(45) **Date of Patent:** **** Sep. 19, 2006**

(54) **CHAIR**
(75) Inventor: **Chuen-Jong Tseng**, Chiayi Hsien (TW)
(73) Assignee: **Taiwan Shin Yeh Enterprise Co., Ltd.**,
Chiayi Hsien (TW)
(**) Term: **14 Years**
(21) Appl. No.: **29/253,154**
(22) Filed: **Feb. 1, 2006**

D434,239 S * 11/2000 Tseng D6/376
D436,750 S * 1/2001 Tseng D6/376
D454,710 S * 3/2002 Tseng D6/376
D454,712 S * 3/2002 Tseng D6/376
D454,713 S * 3/2002 Tseng D6/376
D457,343 S * 5/2002 Tseng D6/376
D485,448 S * 1/2004 Tseng D6/365
D485,694 S * 1/2004 Tseng D6/376
D486,655 S * 2/2004 Tseng D6/365
D487,198 S * 3/2004 Tseng D6/376
D512,580 S * 12/2005 Tseng D6/376
D517,340 S * 3/2006 Tseng D6/376

(51) **LOC (8) Cl.** **06-01**
(52) **U.S. Cl.** **D6/365; D6/369; D6/370**
(58) **Field of Classification Search** D6/334-335,
D6/344, 358, 365, 369, 370, 376, 379-391,
D6/498, 500-502; 297/445.1, 446.1, 452.63,
297/452.64, 451.9
See application file for complete search history.

* cited by examiner

Primary Examiner—Mimosa De
(74) *Attorney, Agent, or Firm*—Ladas & Parry LLP

(57) **CLAIM**

The ornamental design for chair, as shown and described.

DESCRIPTION

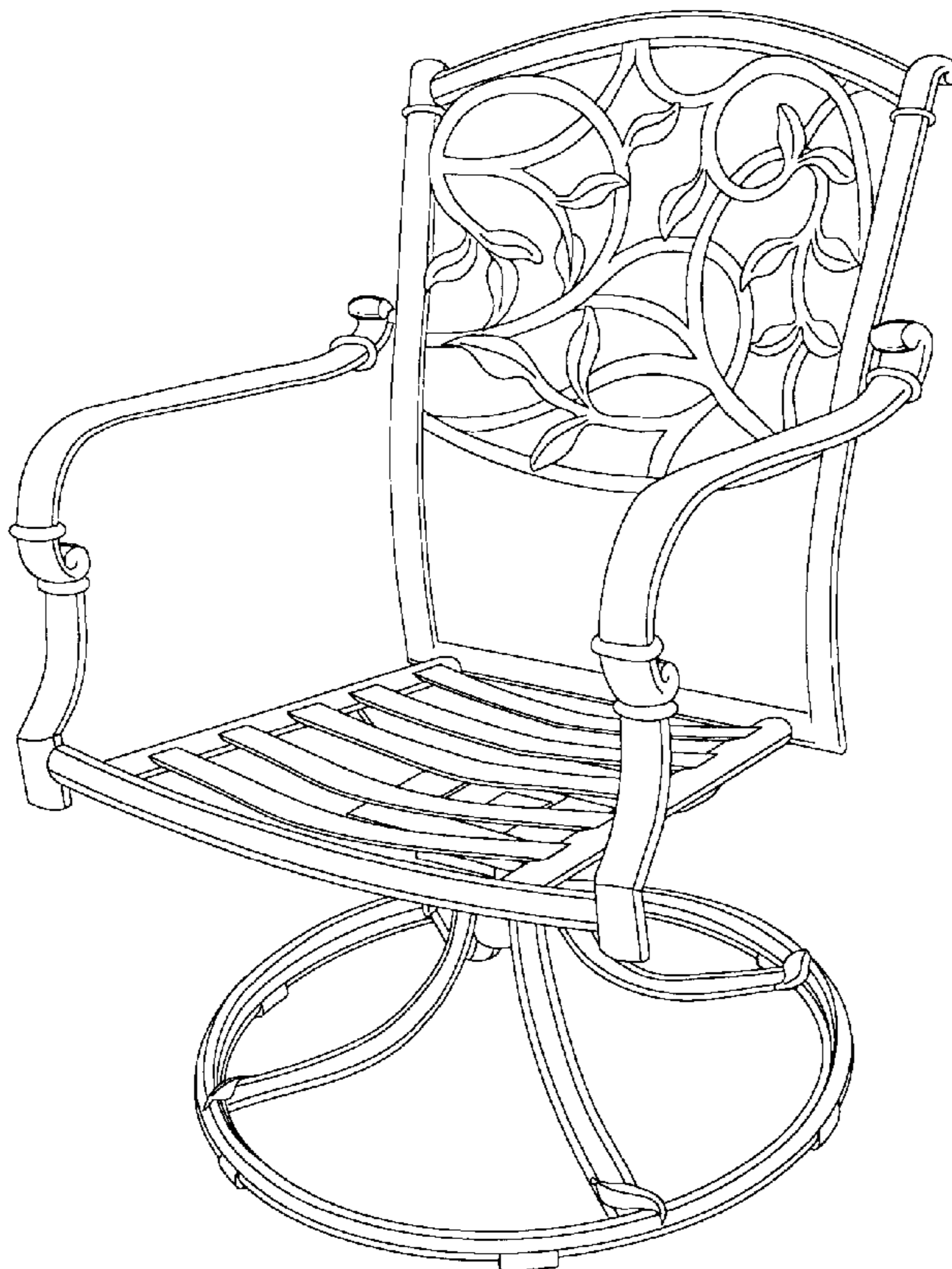
FIG. 1 is a perspective view of chair showing my new design;
FIG. 2 is a front elevational view thereof;
FIG. 3 is a rear elevational view thereof;
FIG. 4 is a left side elevational view thereof;
FIG. 5 is a right side elevational view thereof;
FIG. 6 is a top plan view thereof; and,
FIG. 7 is a bottom plan view thereof.

(56) **References Cited**

U.S. PATENT DOCUMENTS

D299,986 S * 2/1989 Doughty D6/344
D300,090 S * 3/1989 Frinier D6/344
D335,038 S * 4/1993 Tseng D6/365
D335,039 S * 4/1993 Tseng D6/365
D340,361 S * 10/1993 Tseng D6/365
D414,947 S * 10/1999 Liu D6/365
D423,806 S * 5/2000 Tseng D6/376
D426,718 S * 6/2000 Gaylord et al. D6/376

1 Claim, 4 Drawing Sheets



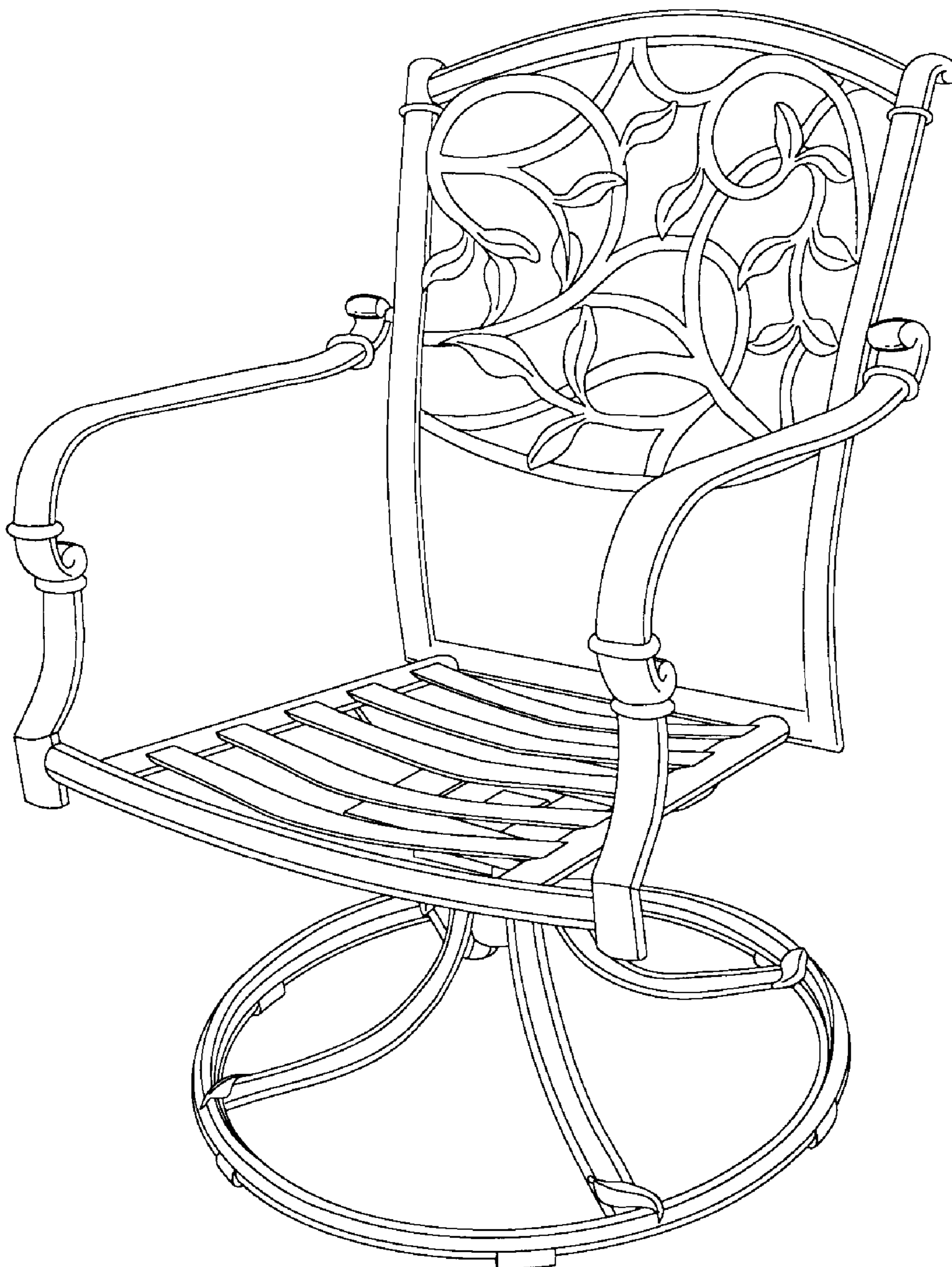


FIG. 1

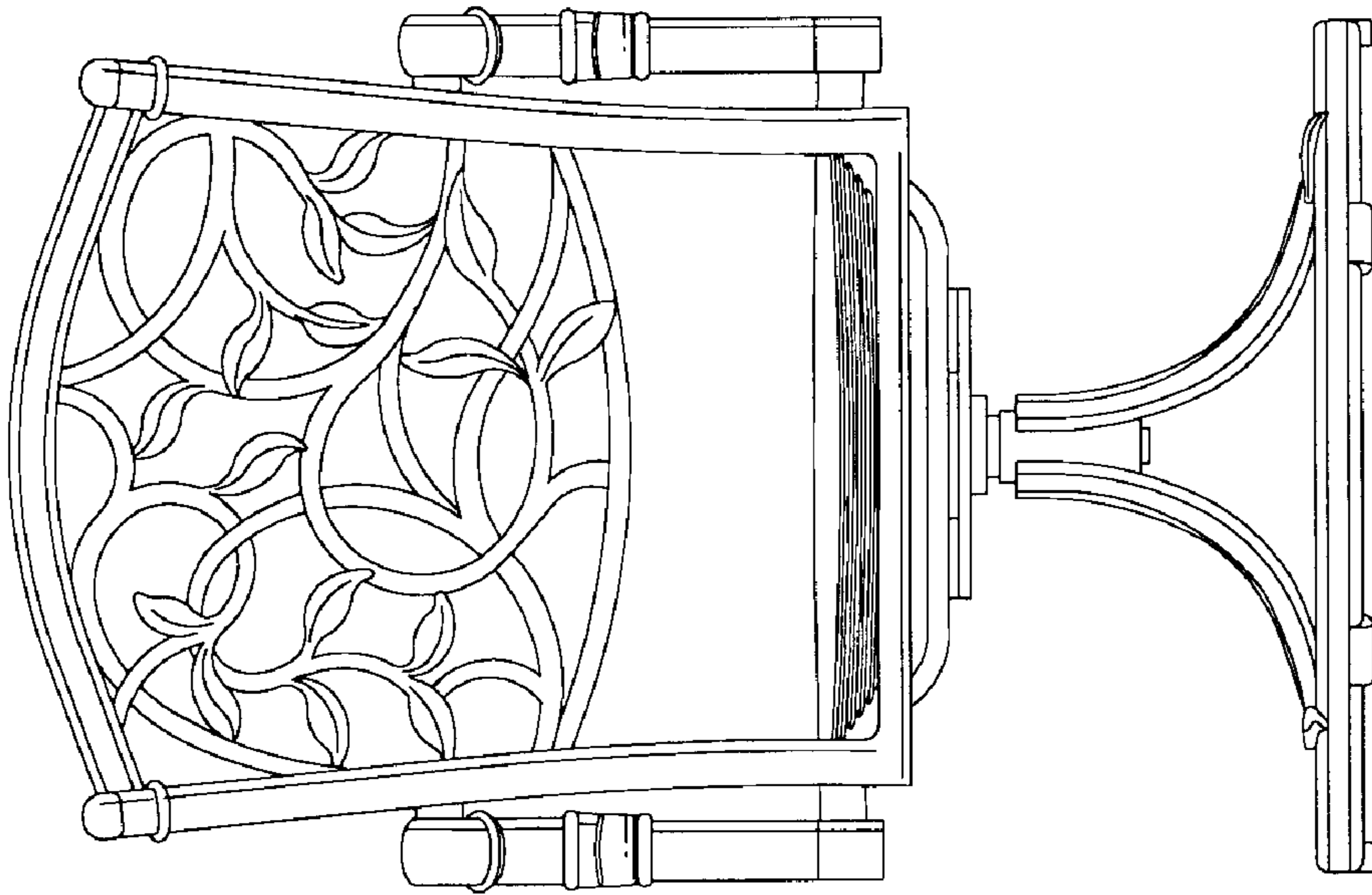


FIG. 3

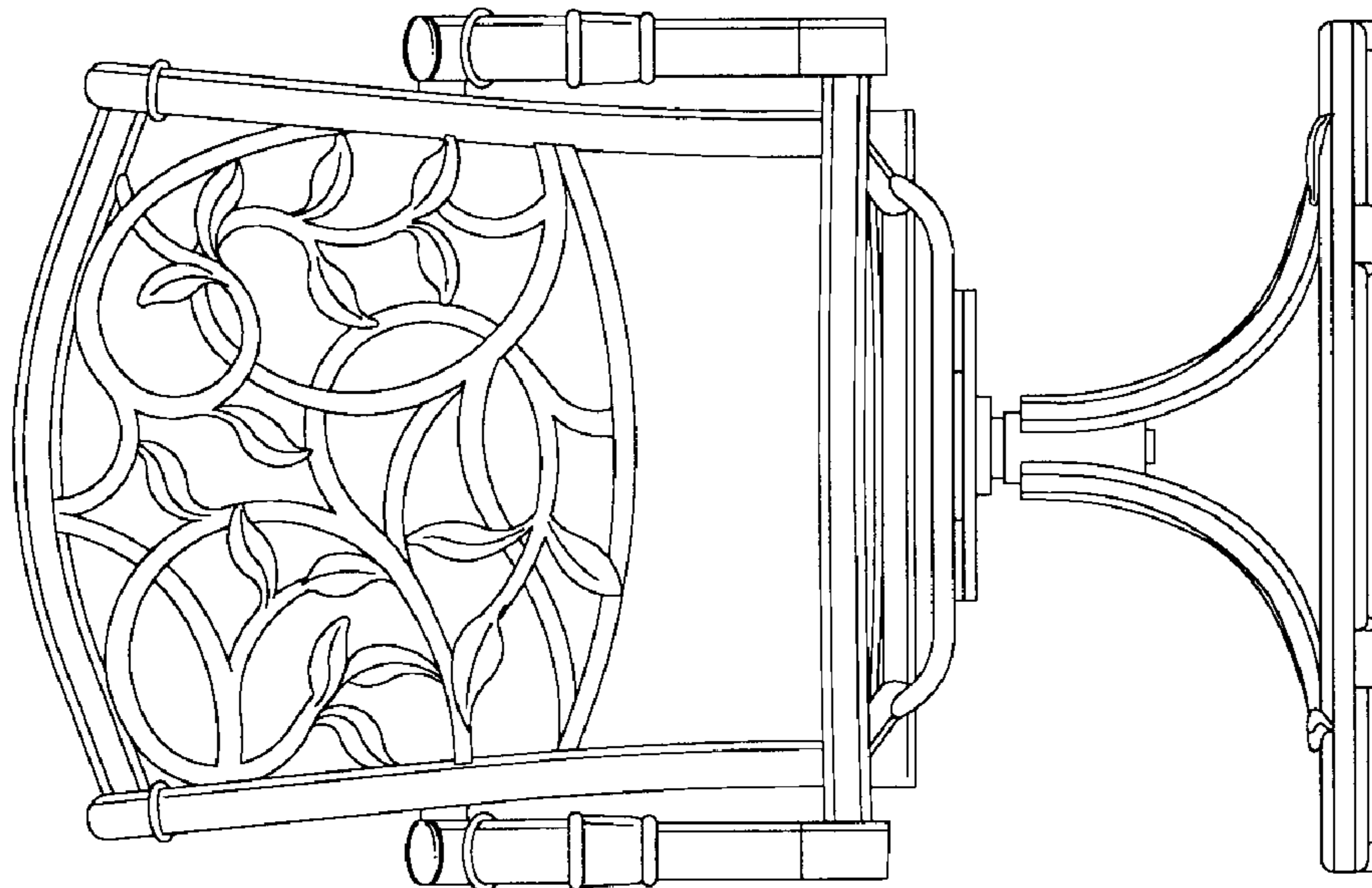


FIG. 2

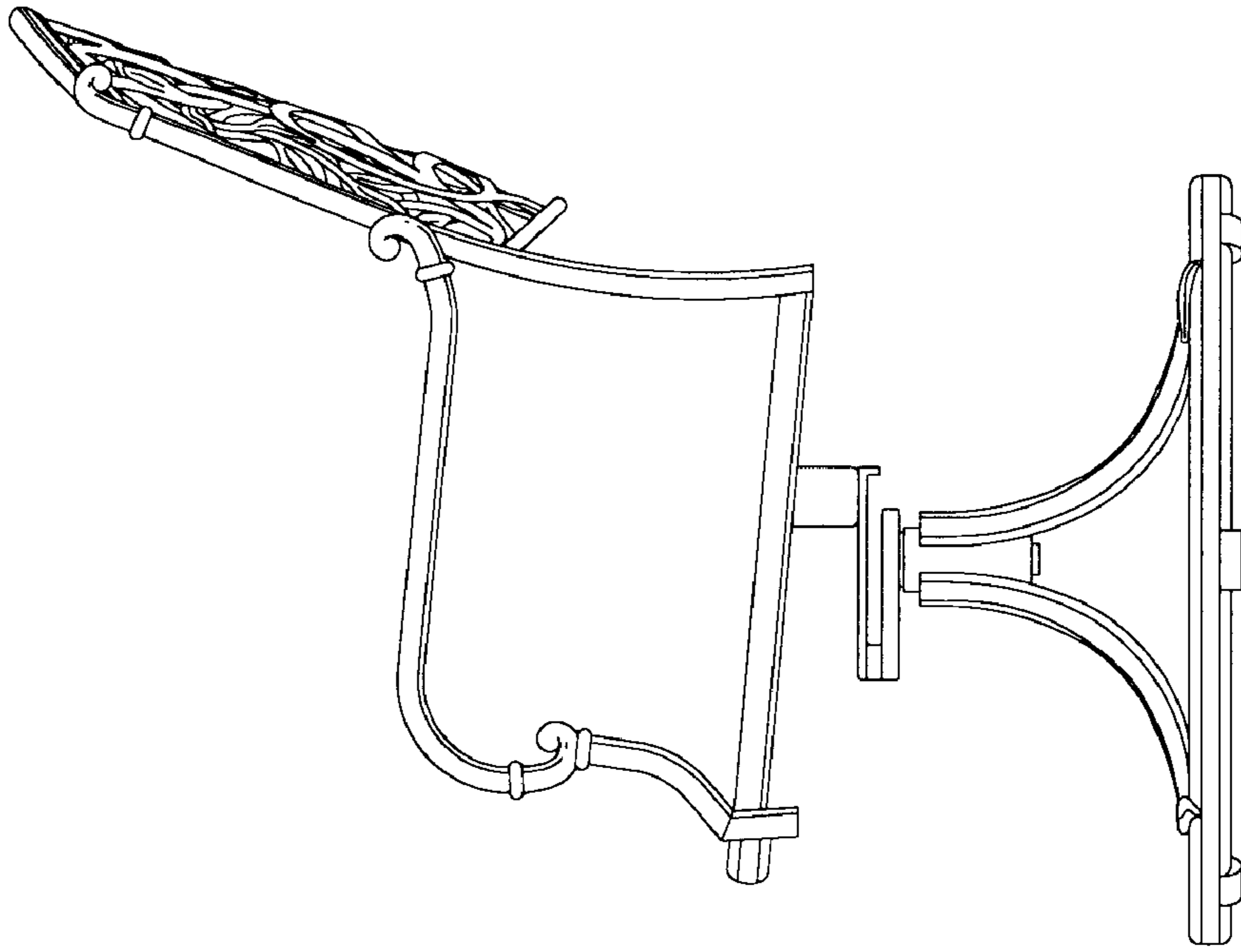


FIG. 5

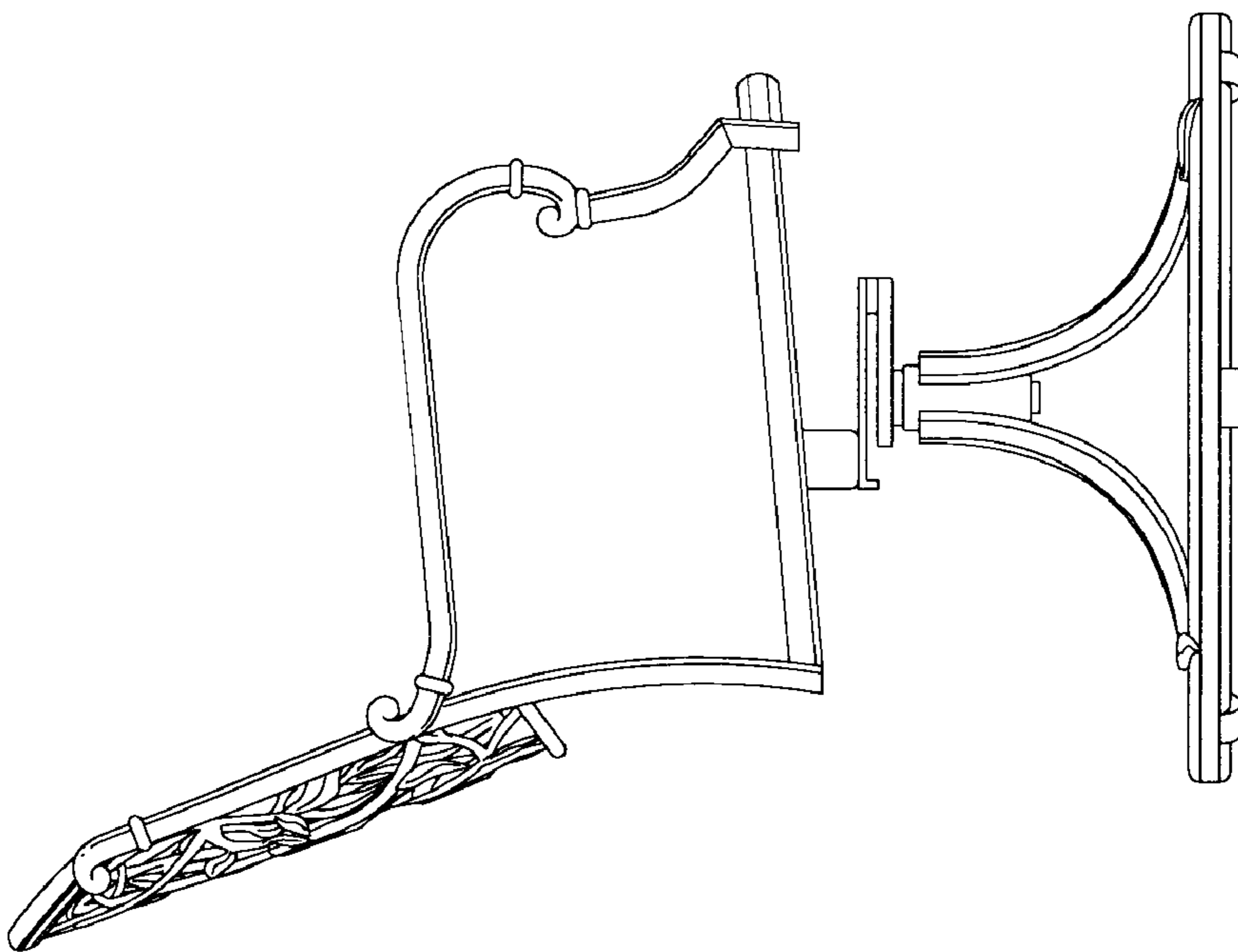


FIG. 4

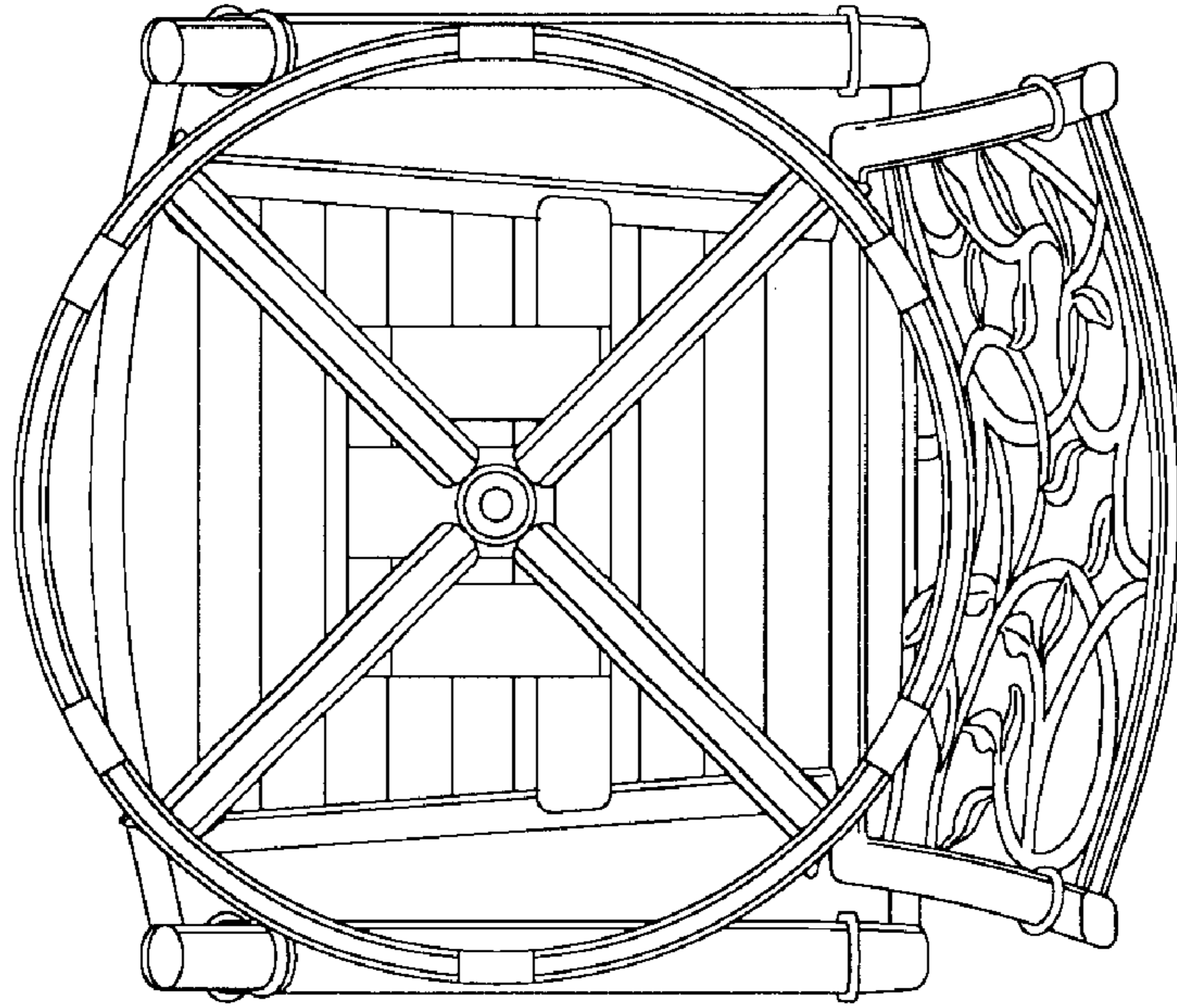


FIG. 7

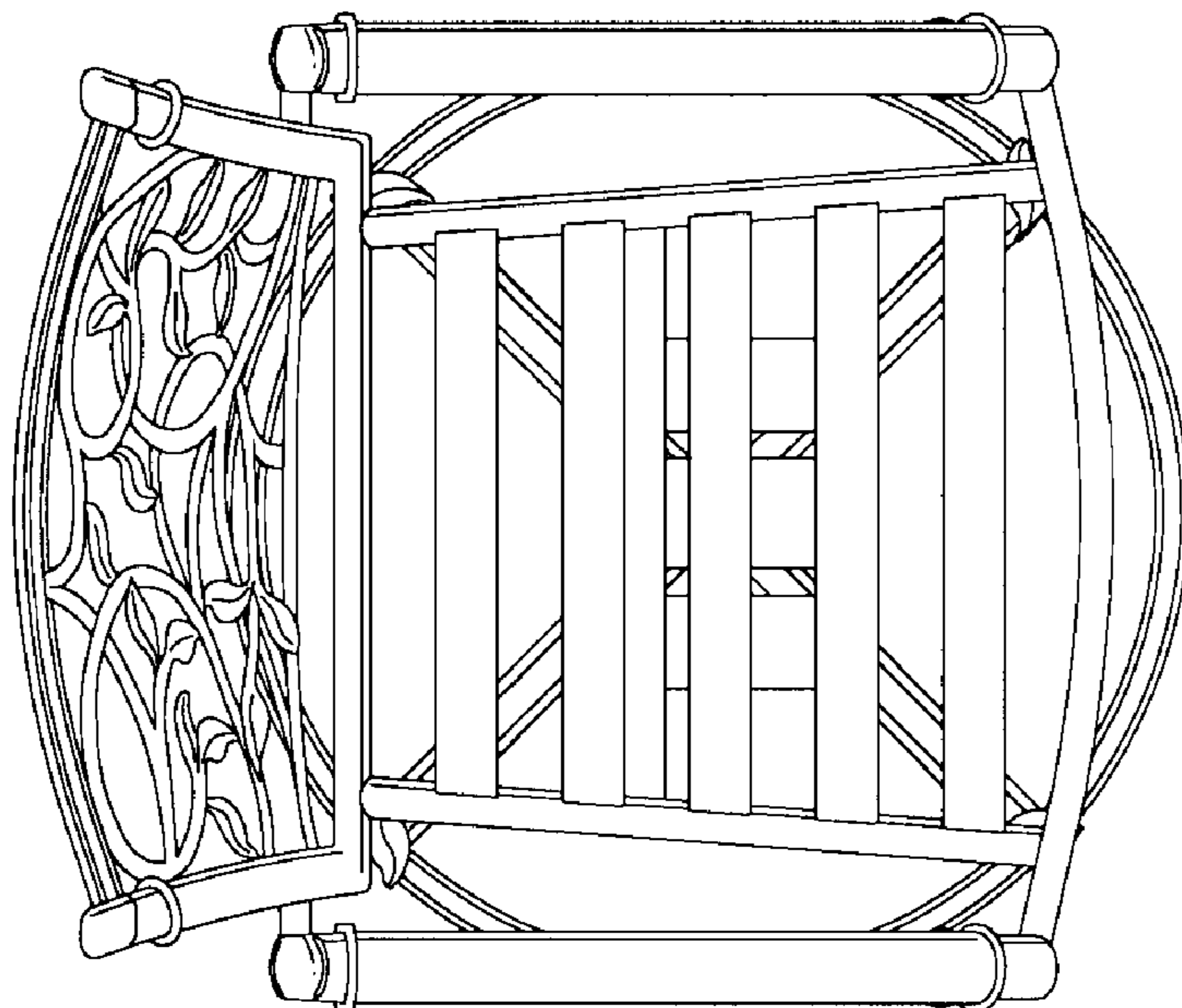


FIG. 6