

US00D528314S

(12) **United States Design Patent**
Roani

(10) **Patent No.:** **US D528,314 S**
(45) **Date of Patent:** **** Sep. 19, 2006**

(54) **ARMCHAIR FRAME**

(75) **Inventor:** **Corrado Roani**, Manthes (FR)

(73) **Assignee:** **Lafuma S.A.**, Anneyron (FR)

(**) **Term:** **14 Years**

(21) **Appl. No.:** **29/243,236**

(22) **Filed:** **Nov. 22, 2005**

(30) **Foreign Application Priority Data**

May 30, 2005 (EP) 347307-0001

(51) **LOC (8) Cl.** **06-01**

(52) **U.S. Cl.** **D6/361**

(58) **Field of Classification Search** D6/334-335,
D6/360, 361, 367, 368, 379, 491, 500-502;
297/39, 56, 68, 79-81, 218.3, 218.4, 423.1,
297/423.19, 440.11, 452.12, 452.13, 452.18
See application file for complete search history.

(56) **References Cited**

U.S. PATENT DOCUMENTS

- D167,491 S * 8/1952 Witty D6/361
- 2,696,869 A * 12/1954 Schlaak 297/452.13
- 2,776,704 A * 1/1957 Moore et al. 297/452.13
- 4,058,341 A * 11/1977 Prins 297/39
- D281,744 S * 12/1985 Murry D6/361
- D287,552 S * 1/1987 Vanderminden D6/361
- D297,991 S * 10/1988 Boyle, Jr. D6/491

- D312,735 S * 12/1990 Hoffmann D6/335
- D323,434 S * 1/1992 Moynihan et al. D6/368
- 5,464,270 A * 11/1995 Chang 297/81
- 5,476,308 A * 12/1995 St. Germain 297/440.11
- 5,971,474 A * 10/1999 Chang 297/56
- 6,082,820 A * 7/2000 Jeng 297/452.13
- D491,377 S * 6/2004 Le Gall D6/361
- 6,976,737 B1 * 12/2005 Dandolo 297/218.3

* cited by examiner

Primary Examiner—Mimosa De

(74) *Attorney, Agent, or Firm*—Burr & Brown

(57) **CLAIM**

The ornamental design for an armchair frame, as shown and described.

DESCRIPTION

FIG. 1 is a perspective view of an armchair frame illustrating my new design;
FIG. 2 is a right perspective view thereof;
FIG. 3 is a left perspective view thereof;
FIG. 4 is a front perspective view thereof;
FIG. 5 is a rear view thereof;
FIG. 6 is a top view thereof; and,
FIG. 7 is a bottom view thereof.

The broken line showing of a the fabric cover is for illustrative purposes only and forms no part of the claimed design.

1 Claim, 7 Drawing Sheets

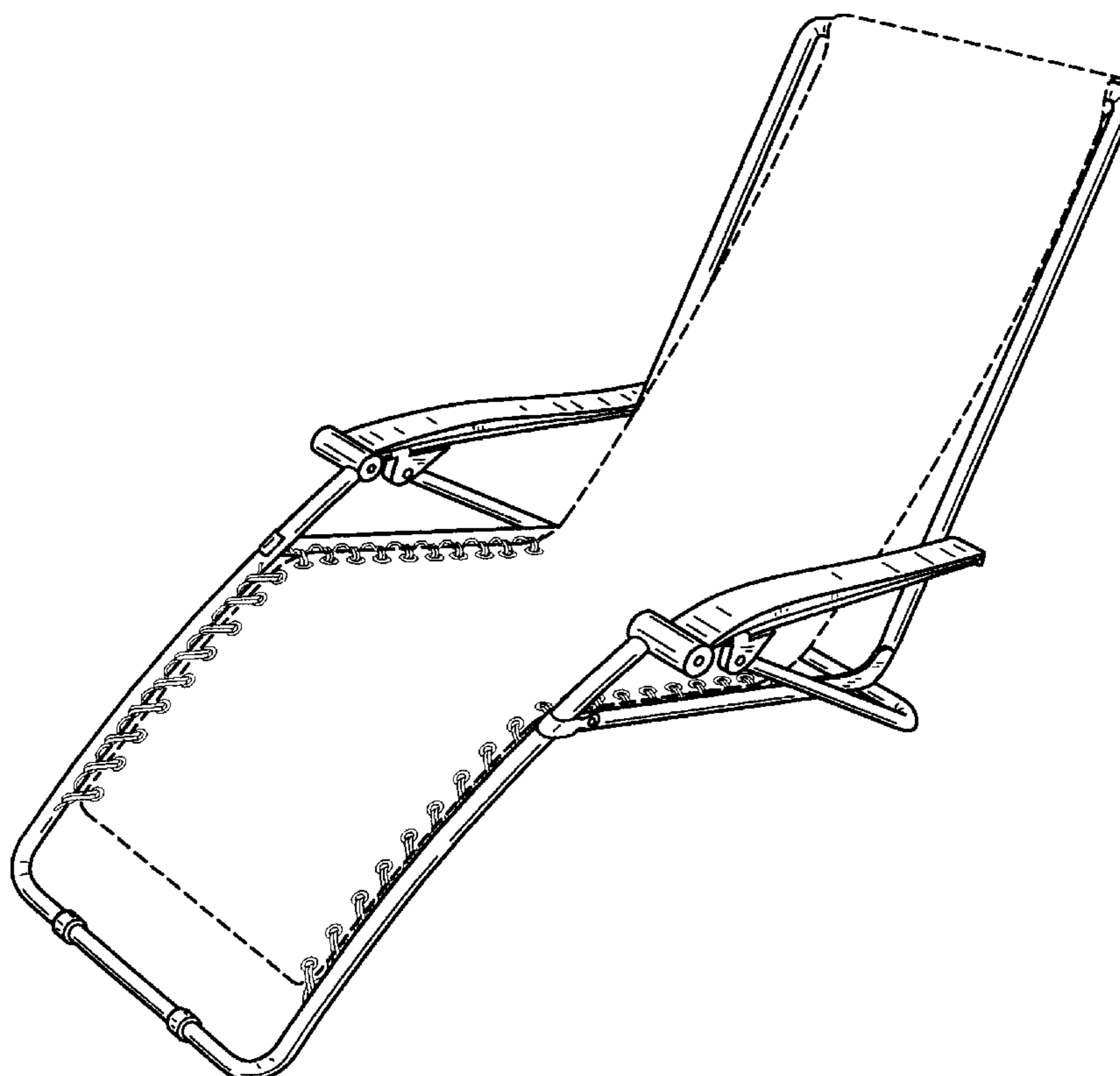


FIG. 1

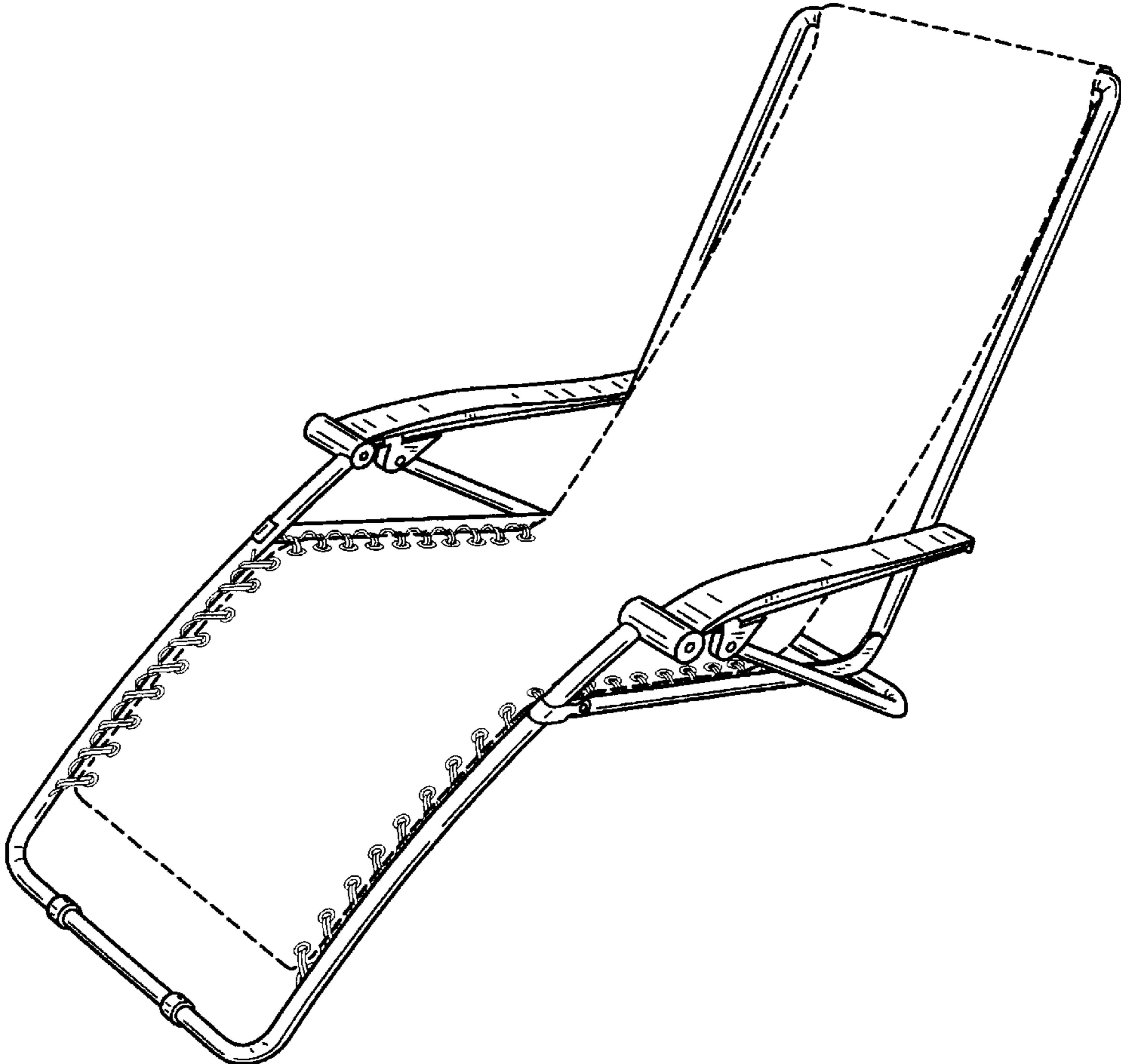


FIG. 2

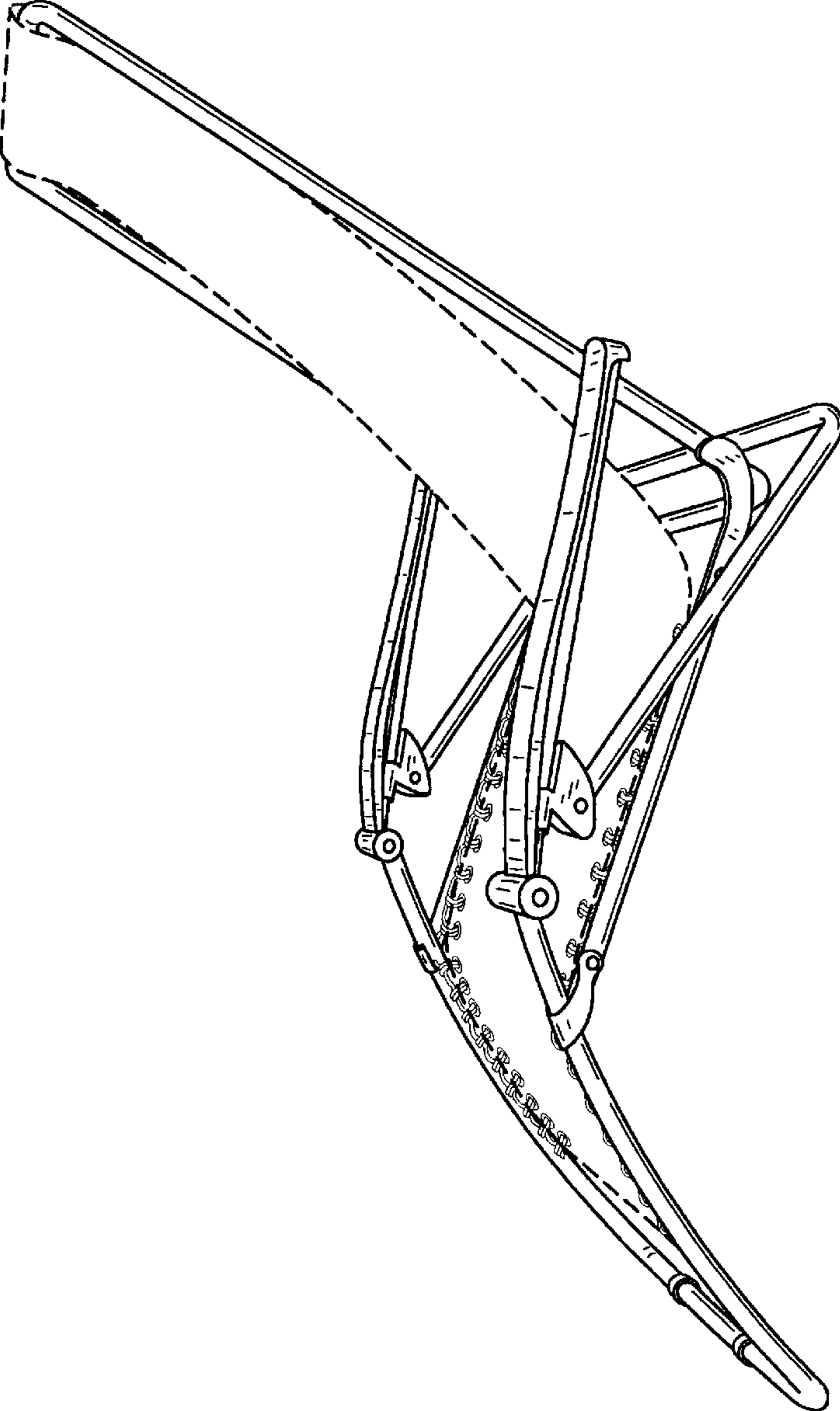


FIG. 3

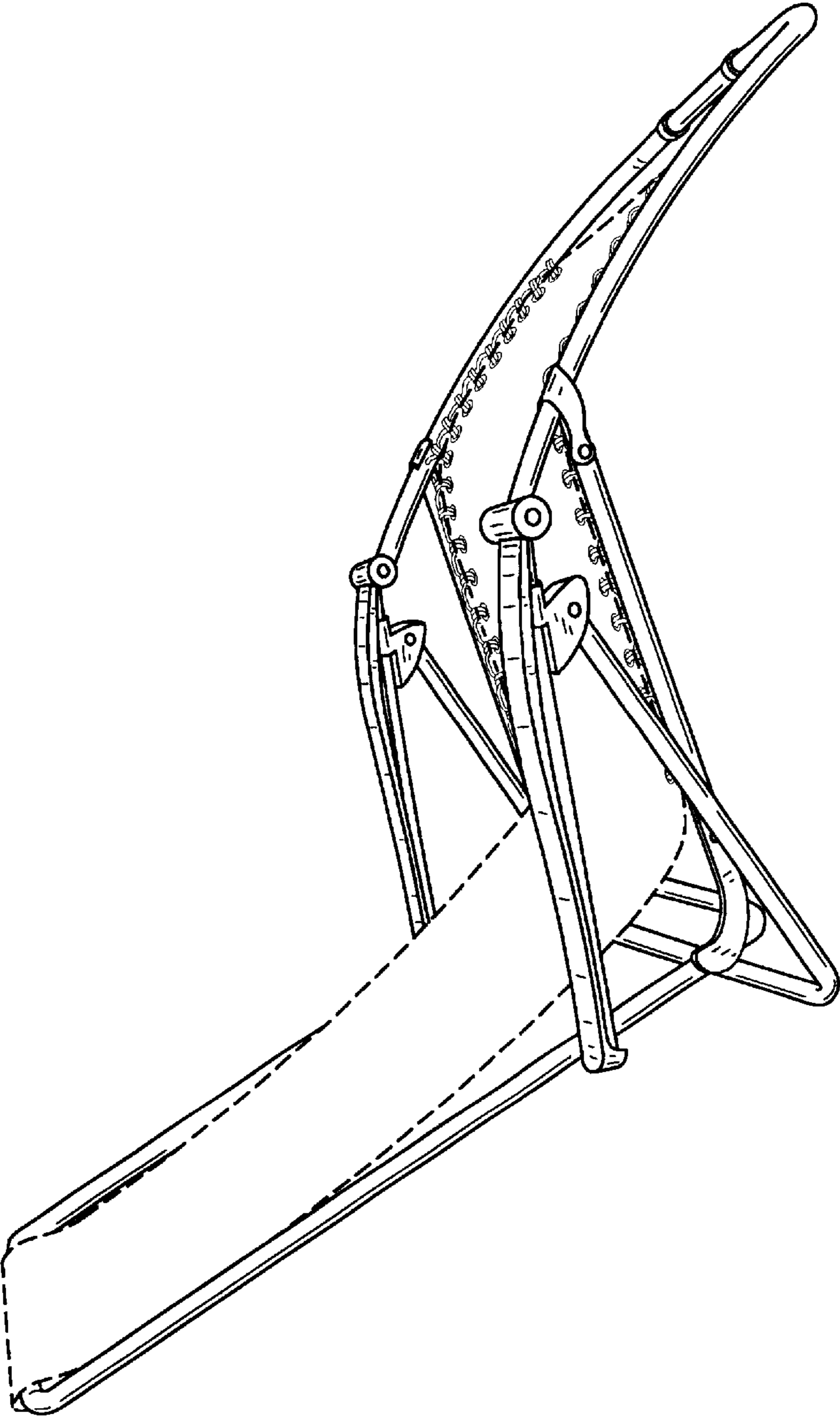


FIG. 4

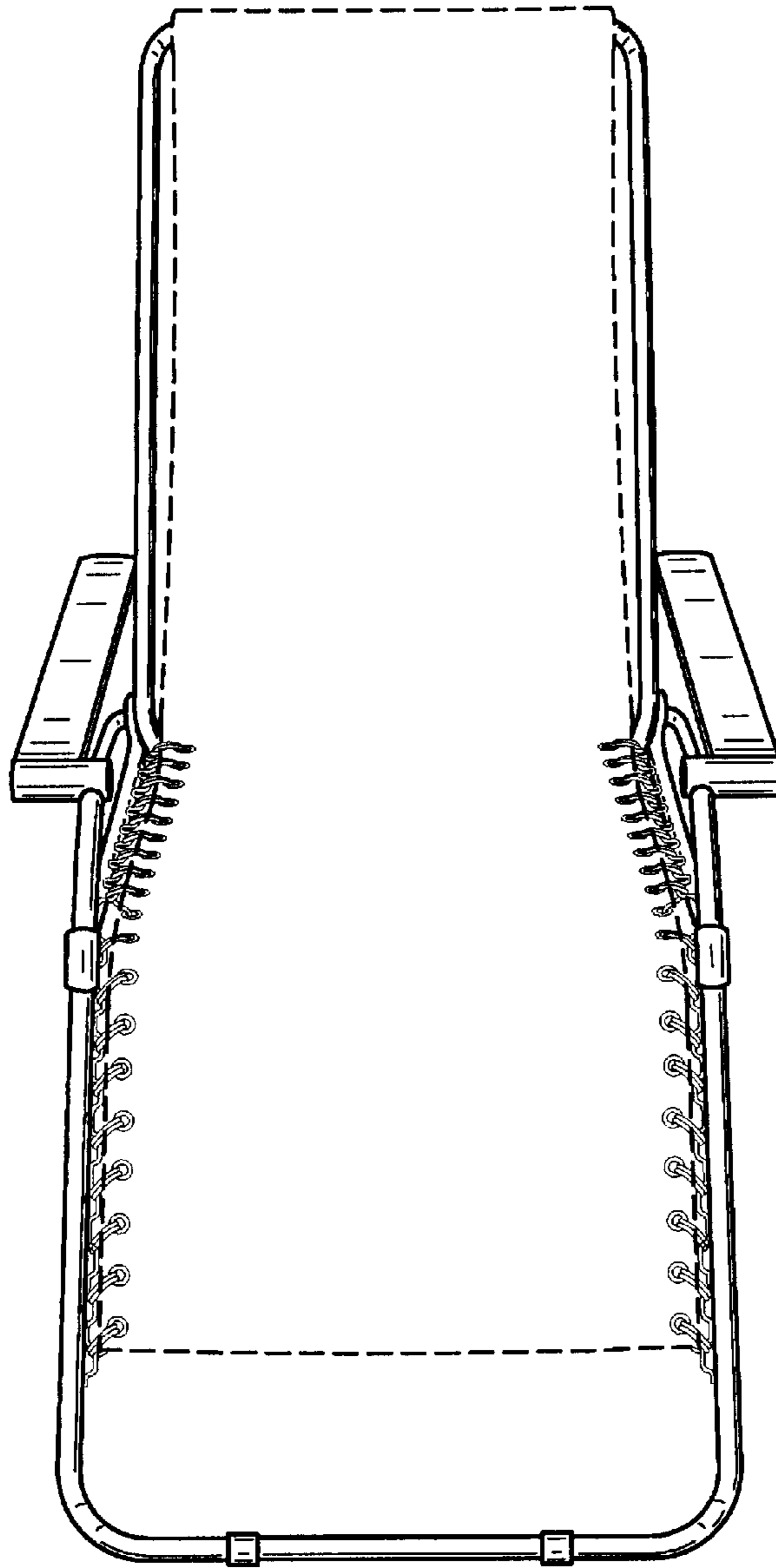


FIG. 5

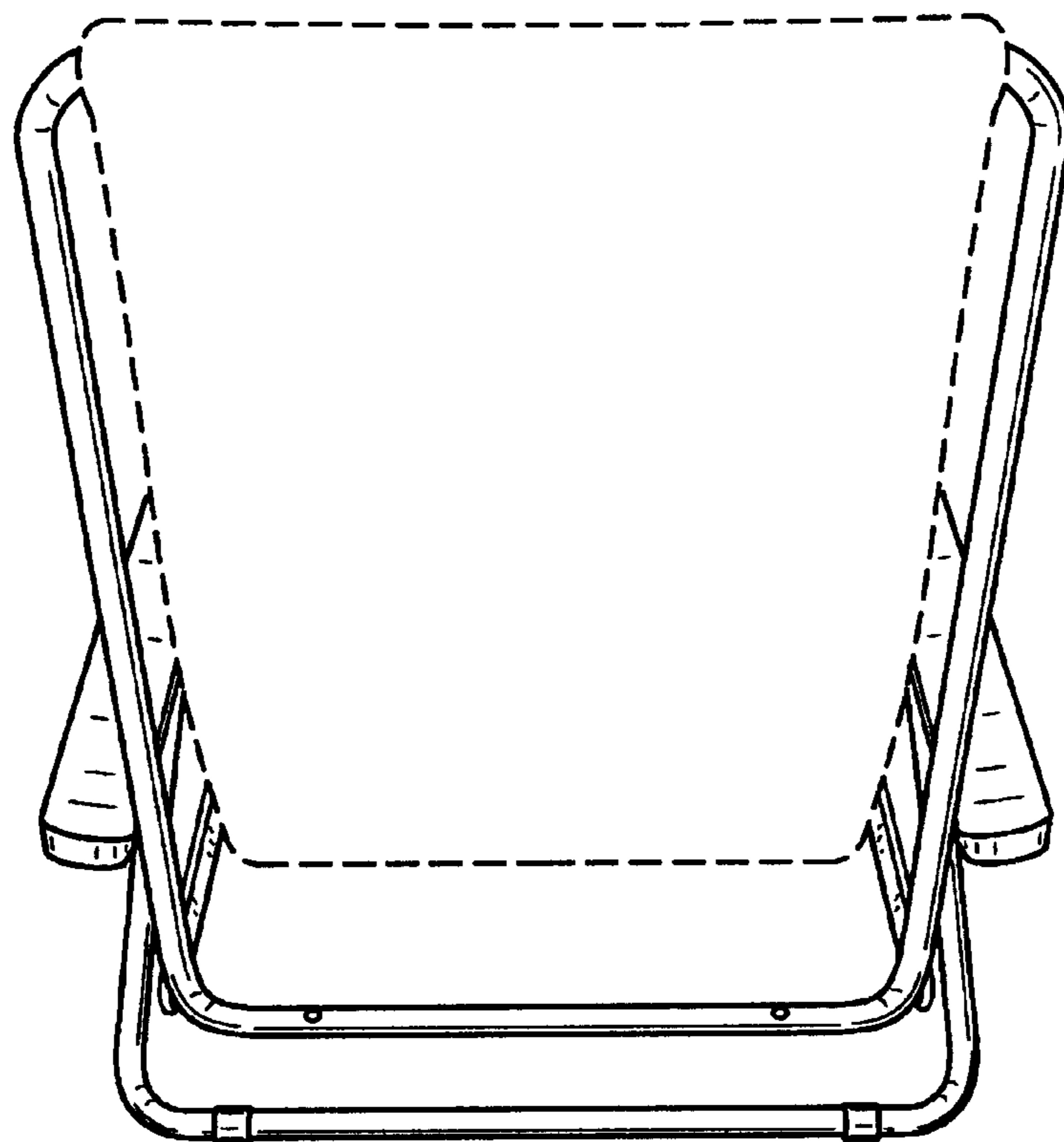


FIG. 6

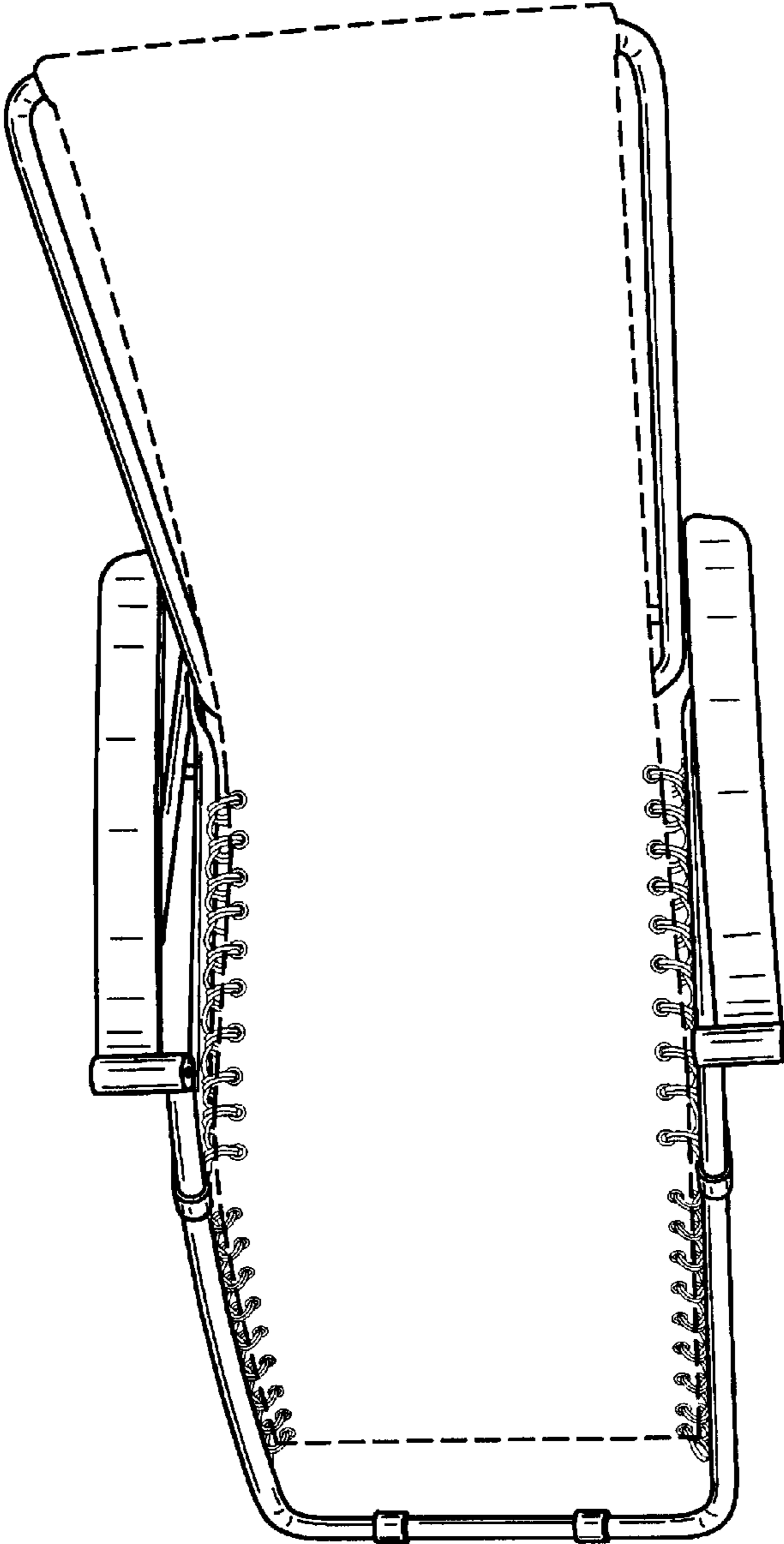


FIG. 7

