

US00D528312S

(12) **United States Design Patent**
Tseng

(10) **Patent No.:** **US D528,312 S**

(45) **Date of Patent:** **** Sep. 19, 2006**

(54) **CHAIR**

(75) Inventor: **Chuen-Jong Tseng**, Chiayi Hsien (TW)

(73) Assignee: **Taiwan Shin Yeh Enterprise Co., Ltd.**,
Chiayi Hsien (TW)

(**) Term: **14 Years**

(21) Appl. No.: **29/253,067**

(22) Filed: **Feb. 1, 2006**

(51) **LOC (8) Cl.** **06-01**

(52) **U.S. Cl.** **D6/360; D6/374**

(58) **Field of Classification Search** D6/334-335,
D6/344, 360, 365, 366, 369, 370, 374, 376,
D6/379-381, 498, 500-502; 297/445.1, 446.1,
297/452.63, 452.64, 451.9, 264.1
See application file for complete search history.

(56) **References Cited**

U.S. PATENT DOCUMENTS

3,318,633	A	*	5/1967	Guadagno	297/264.1
D232,879	S	*	9/1974	Samhammer	D6/360
D374,781	S	*	10/1996	Martin	D6/379
D381,823	S	*	8/1997	Ellsworth et al.	D6/360
D434,921	S	*	12/2000	Tseng	D6/379

D486,659	S	*	2/2004	Tseng	D6/376
D486,660	S	*	2/2004	Tseng	D6/376
D486,662	S	*	2/2004	Tseng	D6/376
D486,972	S	*	2/2004	Tseng	D6/376
D486,973	S	*	2/2004	Tseng	D6/376
D493,295	S	*	7/2004	Tseng	D6/376
D502,017	S	*	2/2005	Tseng	D6/374
D502,333	S	*	3/2005	Tseng	D6/376

* cited by examiner

Primary Examiner—Mimosa De

(74) *Attorney, Agent, or Firm*—Ladas & Parry LLP

(57) **CLAIM**

The ornamental design for chair, as shown and described.

DESCRIPTION

FIG. 1 is a perspective view of chair showing my new design;

FIG. 2 is a front elevational view thereof;

FIG. 3 is a rear elevational view thereof;

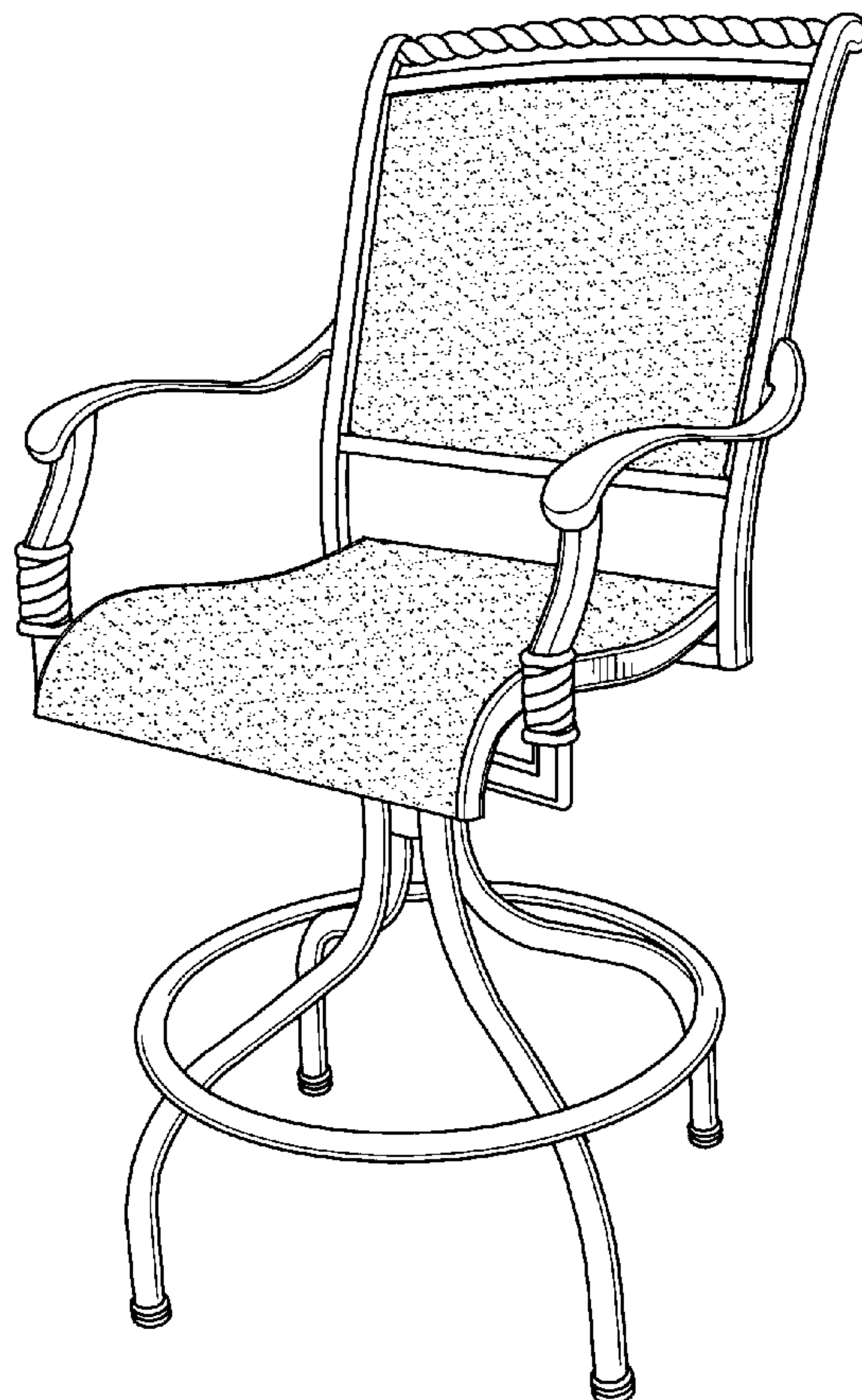
FIG. 4 is a left side elevational view thereof;

FIG. 5 is a right side elevational view thereof;

FIG. 6 is a top plan view thereof; and,

FIG. 7 is a bottom plan view thereof.

1 Claim, 4 Drawing Sheets



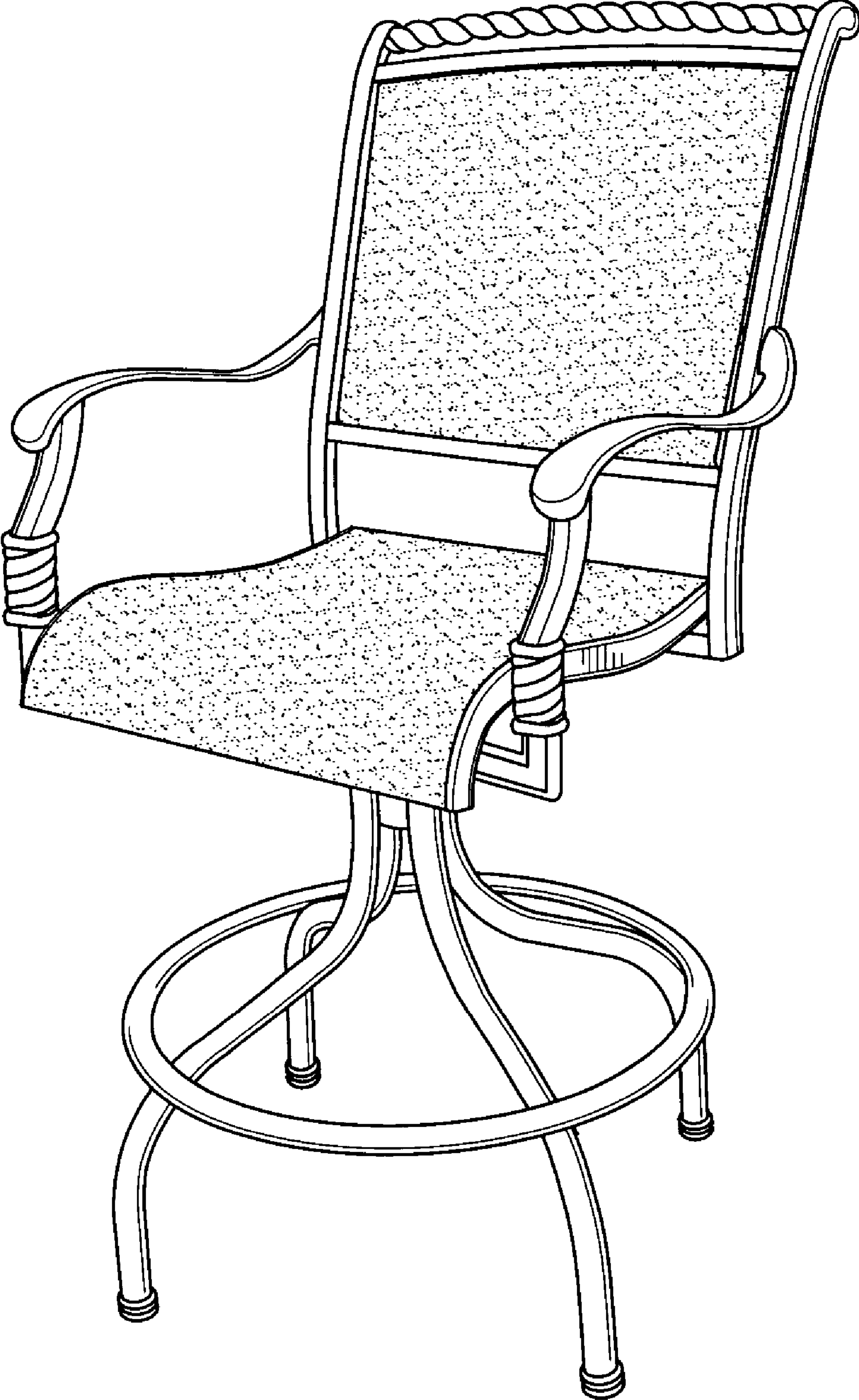


FIG. 1

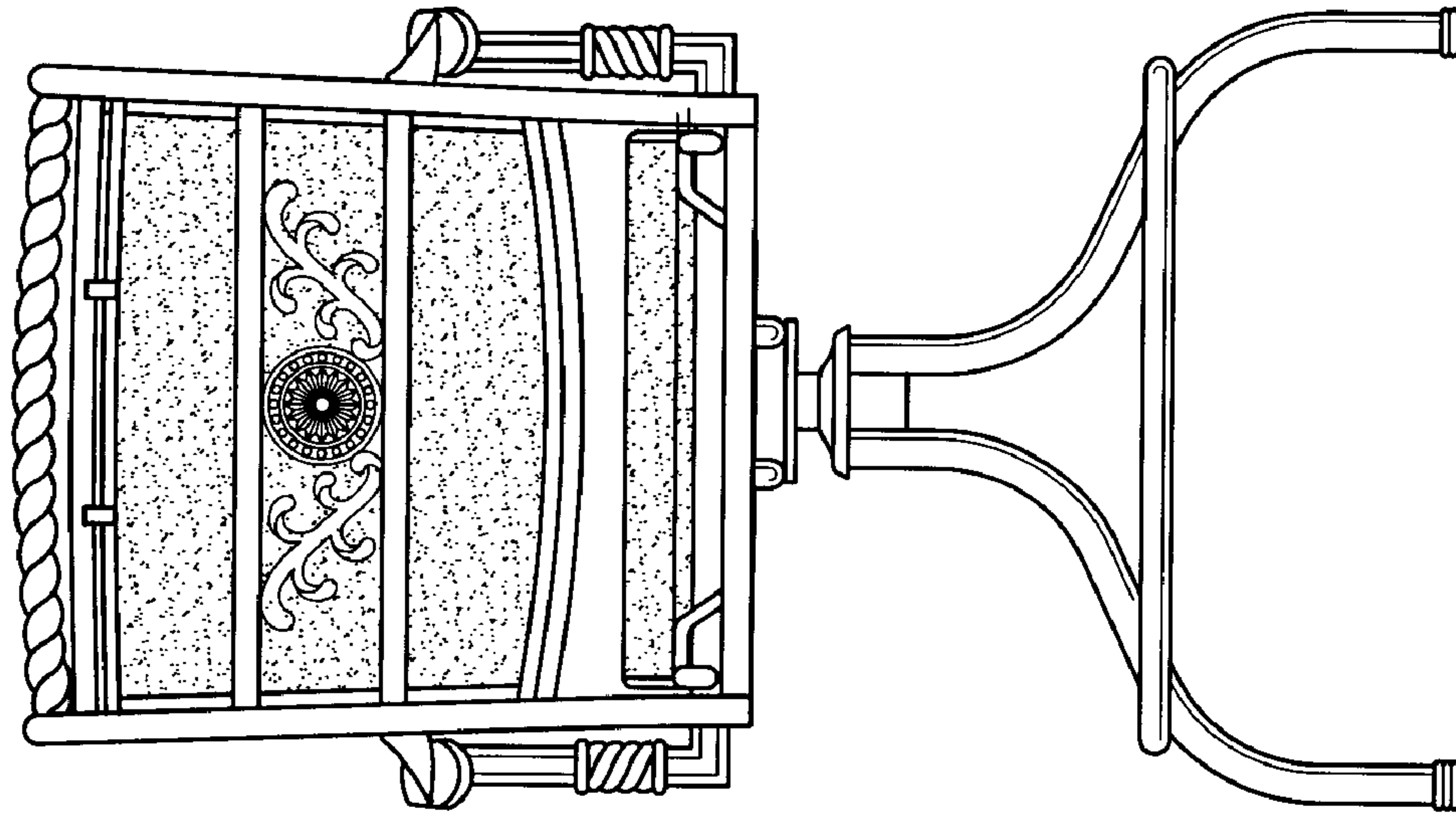


FIG. 3

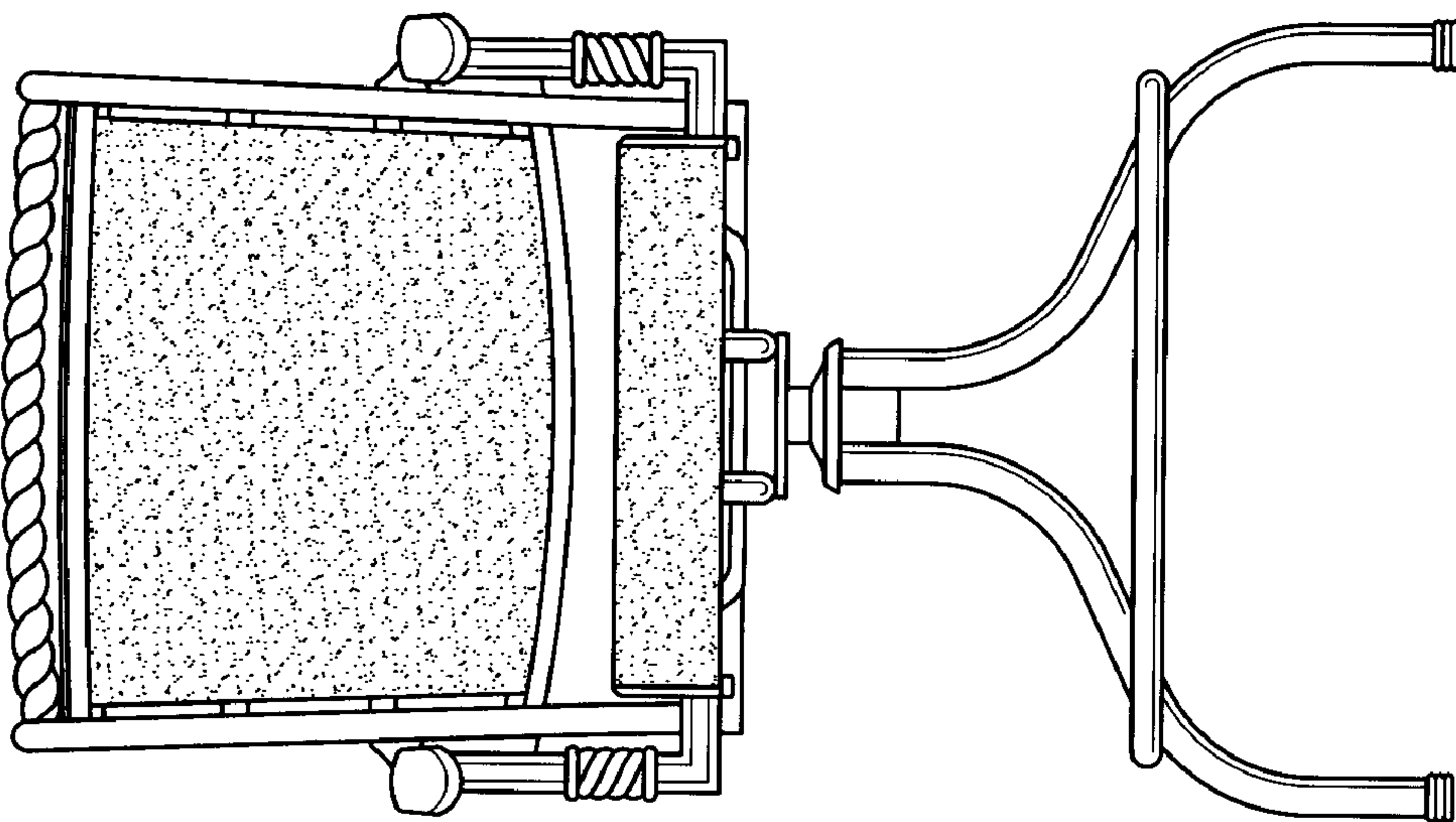


FIG. 2

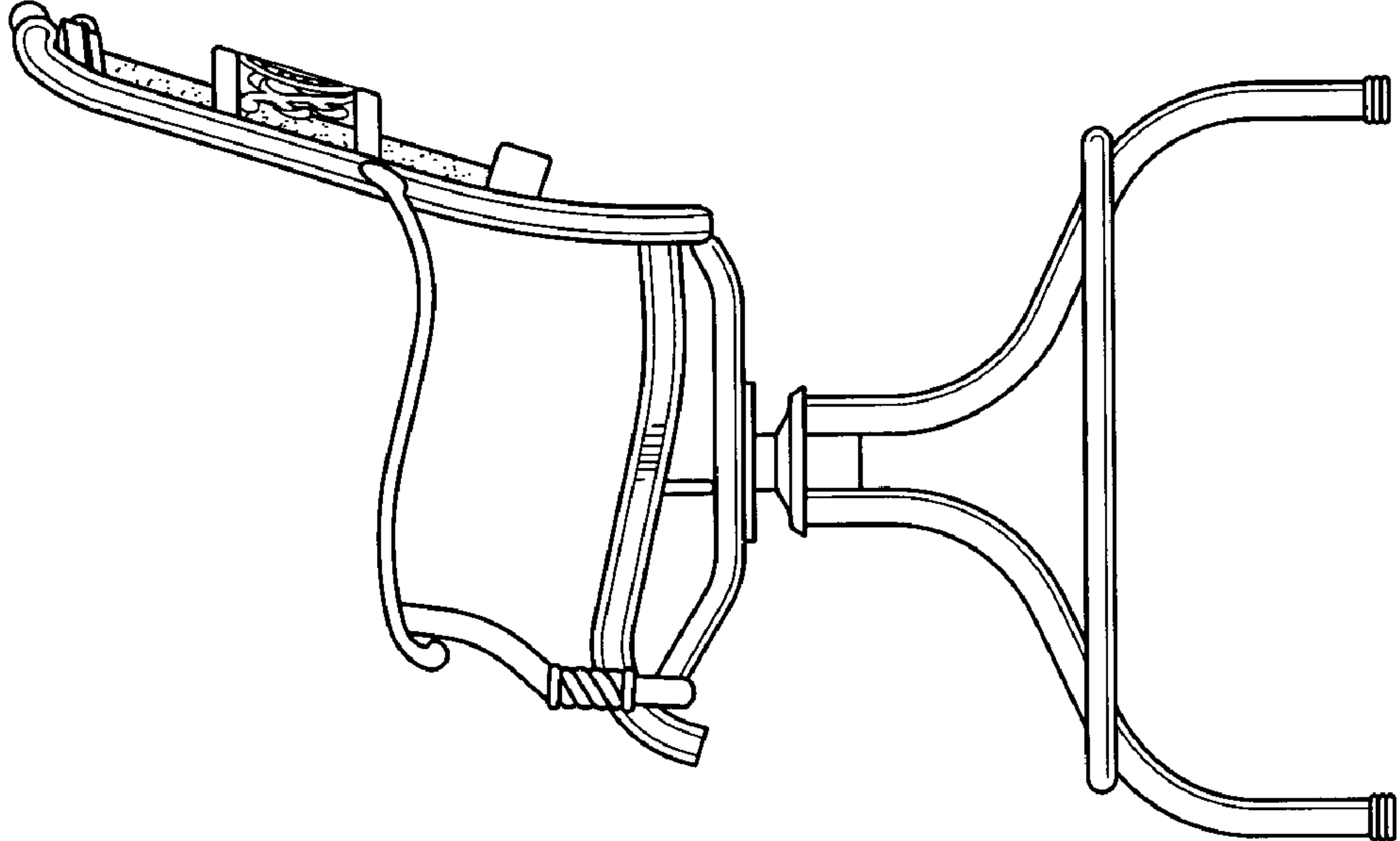


FIG. 5

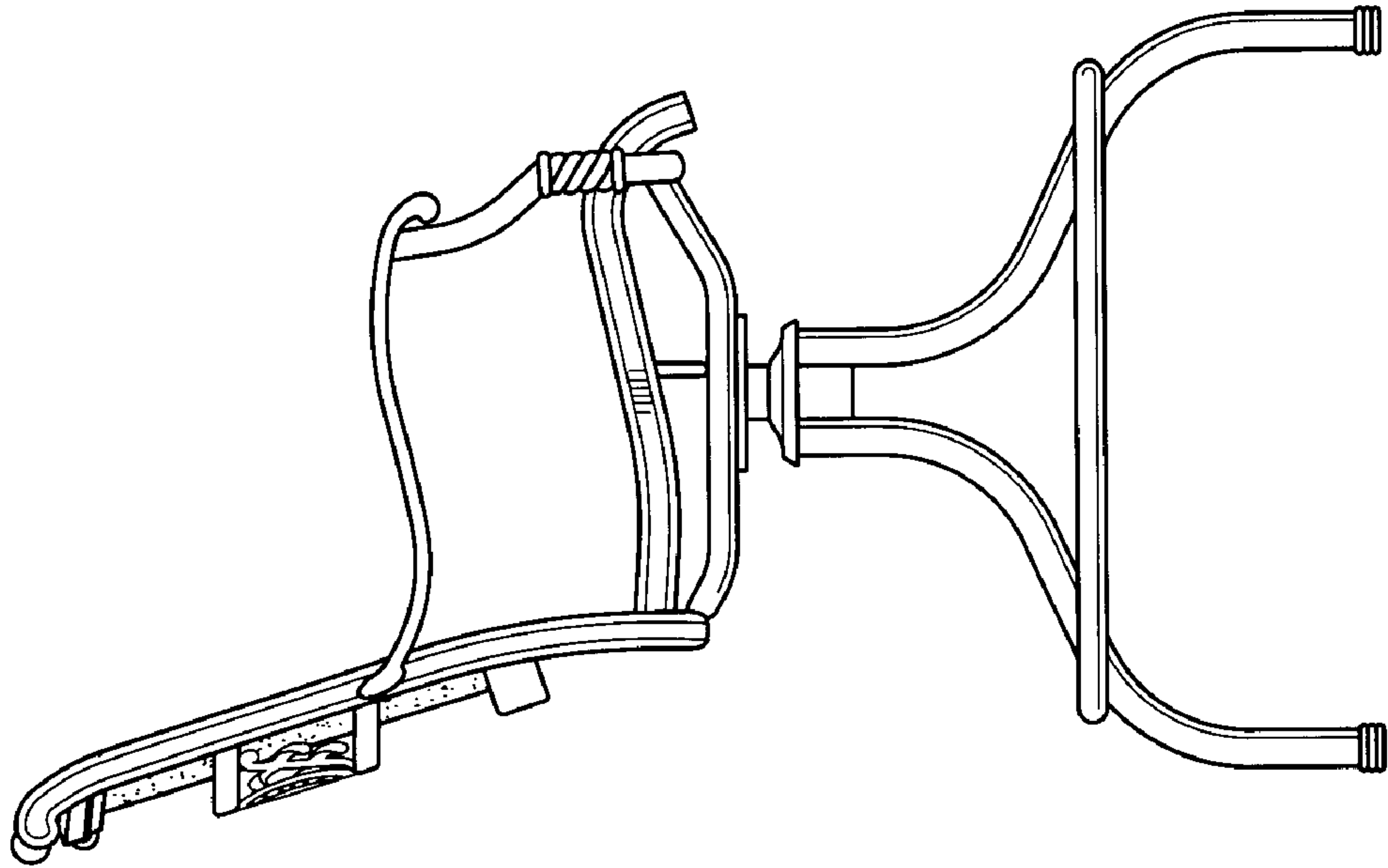


FIG. 4

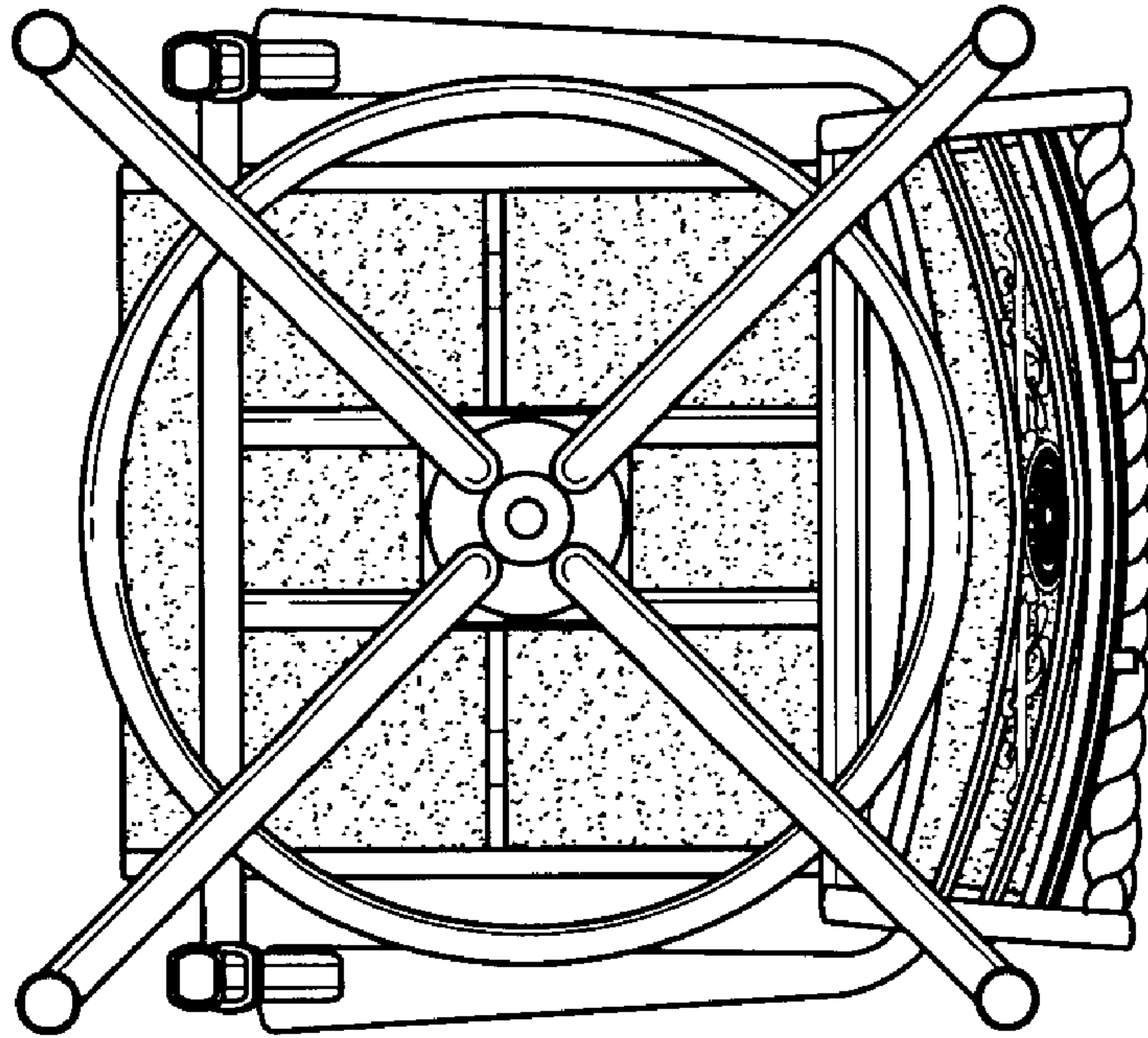


FIG. 7

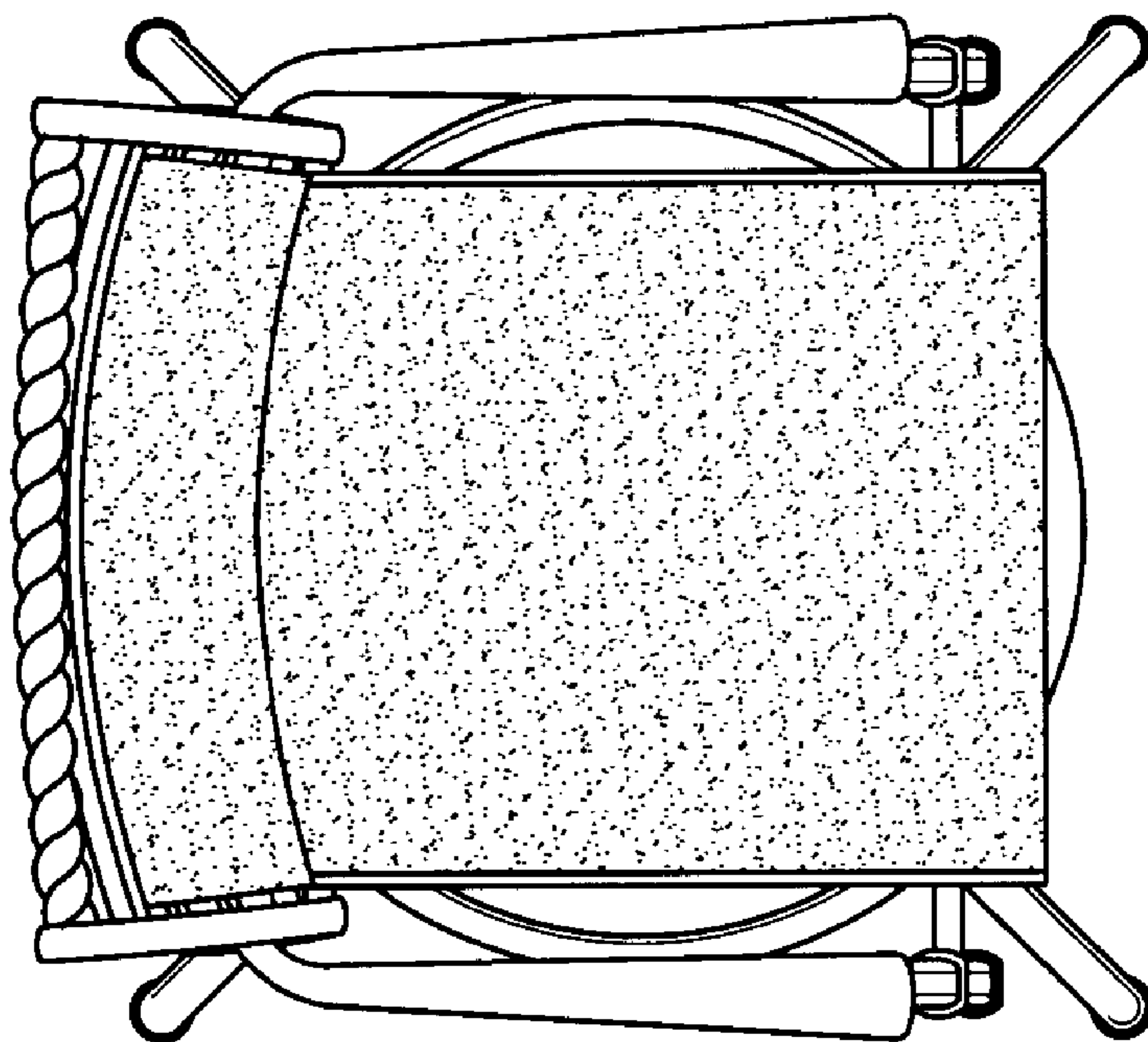


FIG. 6