



US00D528311S

(12) **United States Design Patent**  
**Stahel et al.**

(10) **Patent No.:** **US D528,311 S**  
(45) **Date of Patent:** **\*\* Sep. 19, 2006**

(54) **PIVOTING BACKREST FOR A MOTORCYCLE**

(75) Inventors: **Alwin J. Stahel**, St. Paul, MN (US);  
**Brian K. Stahel**, New Brighton, MN (US)

(73) Assignee: **Kuryakyn Holdings, Inc.**, Somerset, WI (US)

(\*\*) Term: **14 Years**

(21) Appl. No.: **29/217,310**

(22) Filed: **Nov. 16, 2004**

(51) **LOC (8) Cl.** ..... **06-01**

(52) **U.S. Cl.** ..... **D6/354**

(58) **Field of Classification Search** ..... D6/354;  
D12/110, 114, 119, 222; 180/219; 280/288.4,  
280/304.4, 304.5, 748, 751, 756, 304.3; 297/195.1,  
297/215.1, 215.11, 215.12, 243, 353, 452.48,  
297/283.3

See application file for complete search history.

(56) **References Cited**

**U.S. PATENT DOCUMENTS**

4,313,639 A 2/1982 Ware ..... 297/366  
D265,390 S \* 7/1982 Yoshida ..... D12/407  
4,570,998 A 2/1986 Hughes ..... 297/353

4,596,422 A 6/1986 Stahel ..... 297/378  
5,588,698 A 12/1996 Hsueh ..... 297/184.11  
6,007,150 A 12/1999 Clerkin et al. .... 297/215.12  
6,224,081 B1 5/2001 Wayman et al. .... 280/288.4

\* cited by examiner

*Primary Examiner*—Alan P. Douglas

*Assistant Examiner*—Linda Brooks

(74) *Attorney, Agent, or Firm*—Dicke, Billig & Czaja, PLLC

(57) **CLAIM**

The ornamental design for a pivoting backrest for a motorcycle, as shown and described.

**DESCRIPTION**

FIG. 1 is a right side view of a pivoting backrest for a motorcycle embodying our new design with a rear portion of a motorcycle shown in dotted lines;

FIG. 2 is a top plan view;

FIG. 3 is a front elevational view thereof;

FIG. 4 is a left side view thereof;

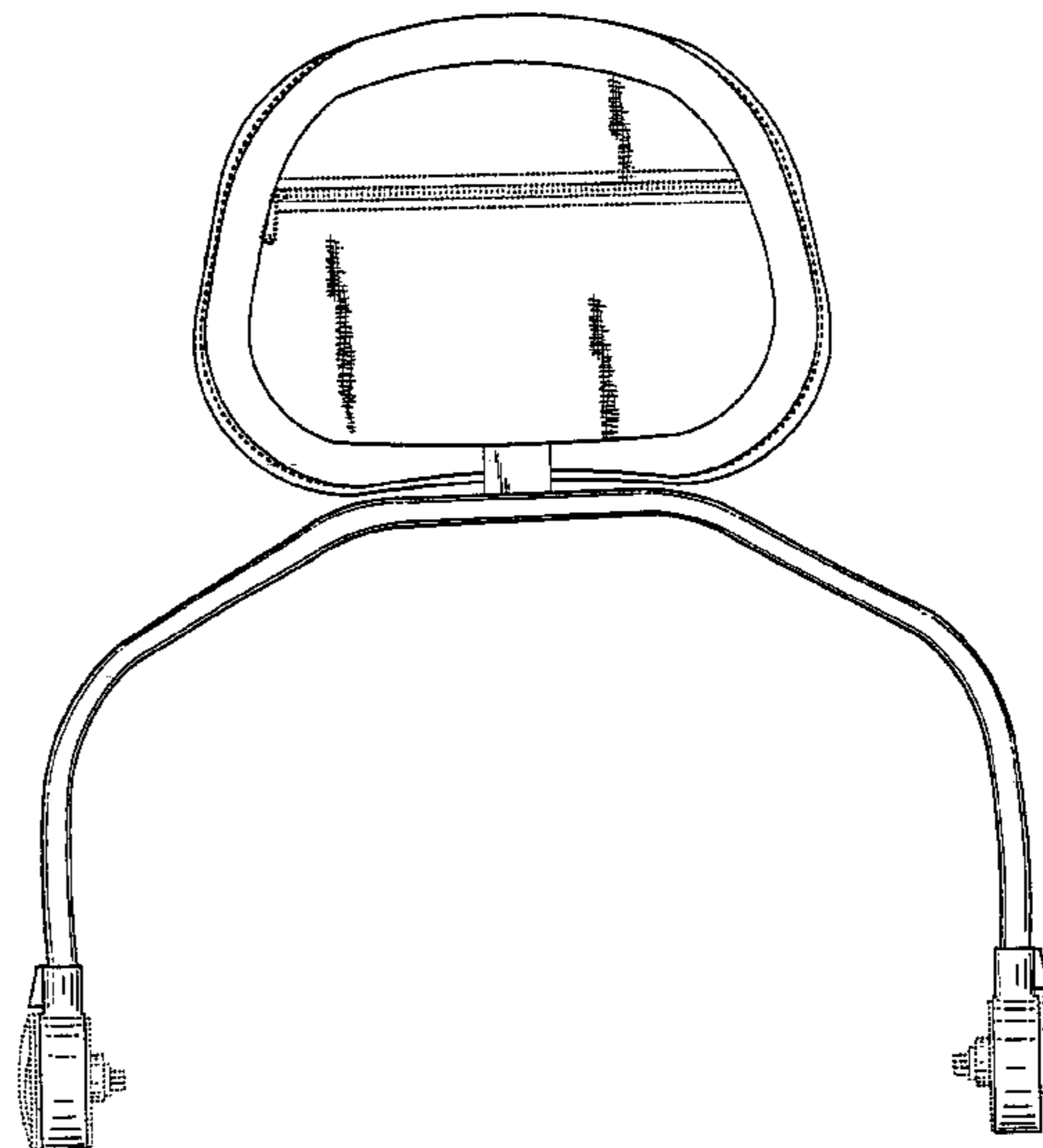
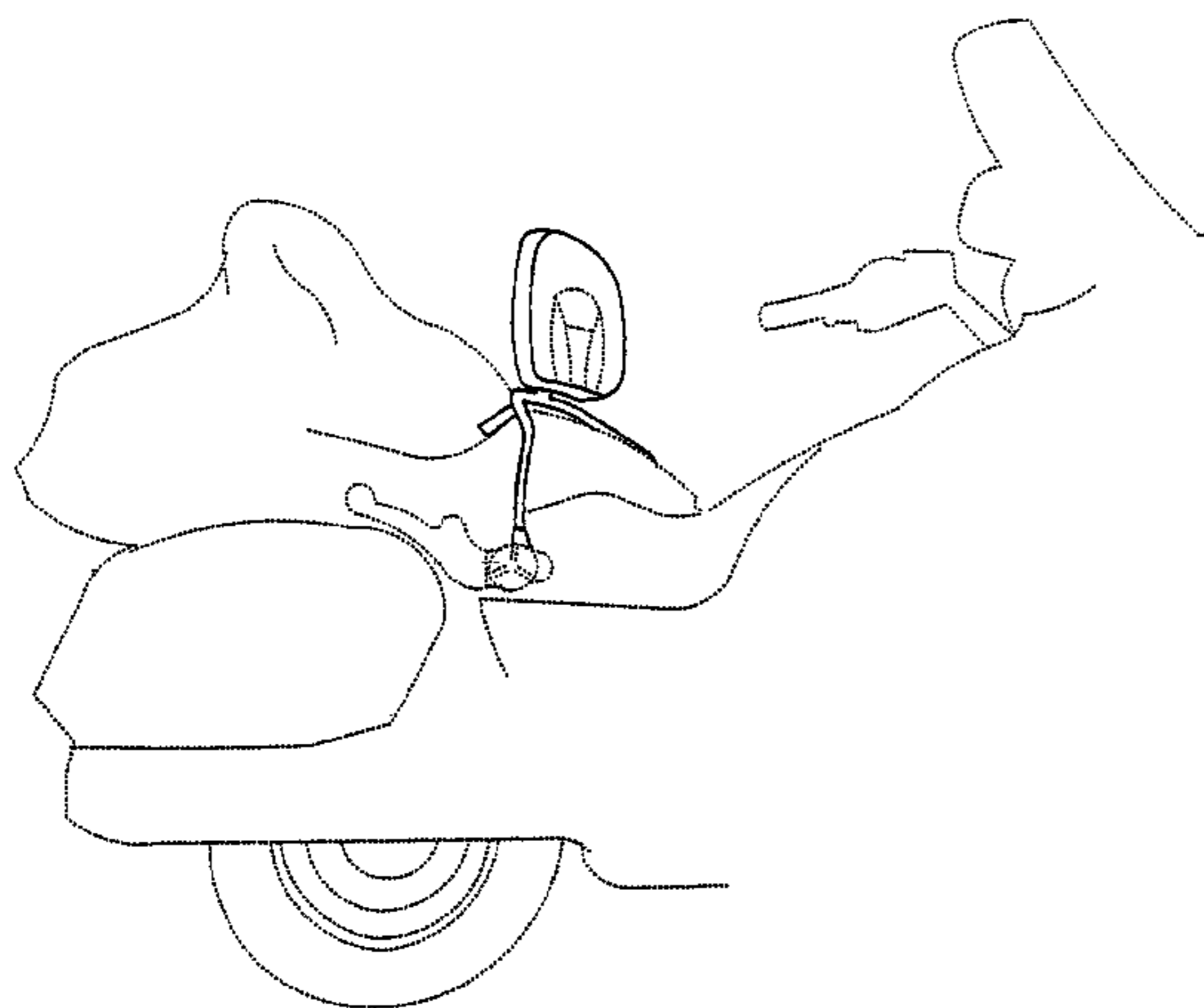
FIG. 5 is a right side view thereof;

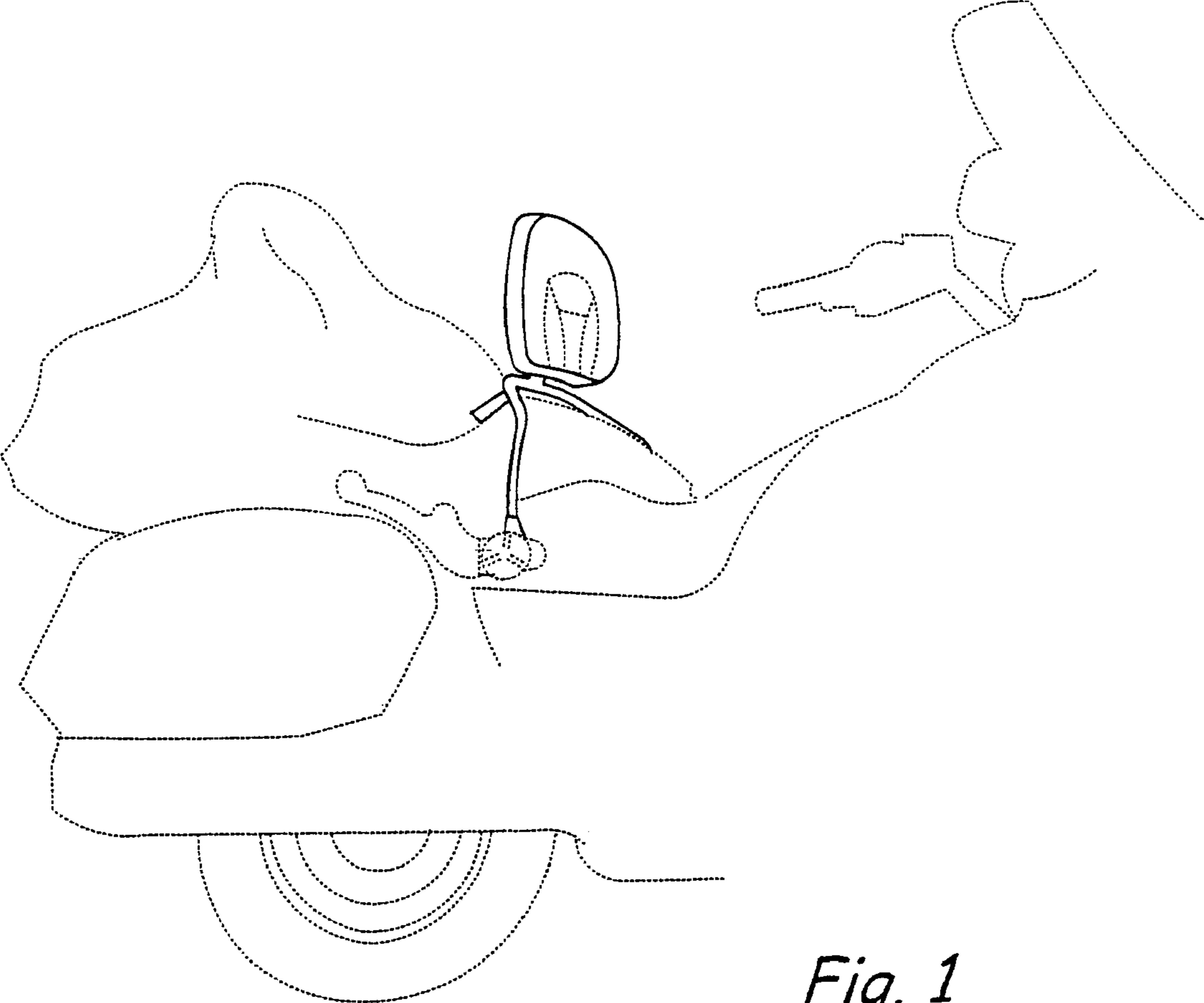
FIG. 6 is a rear elevational view thereof; and,

FIG. 7 is a bottom plan view thereof.

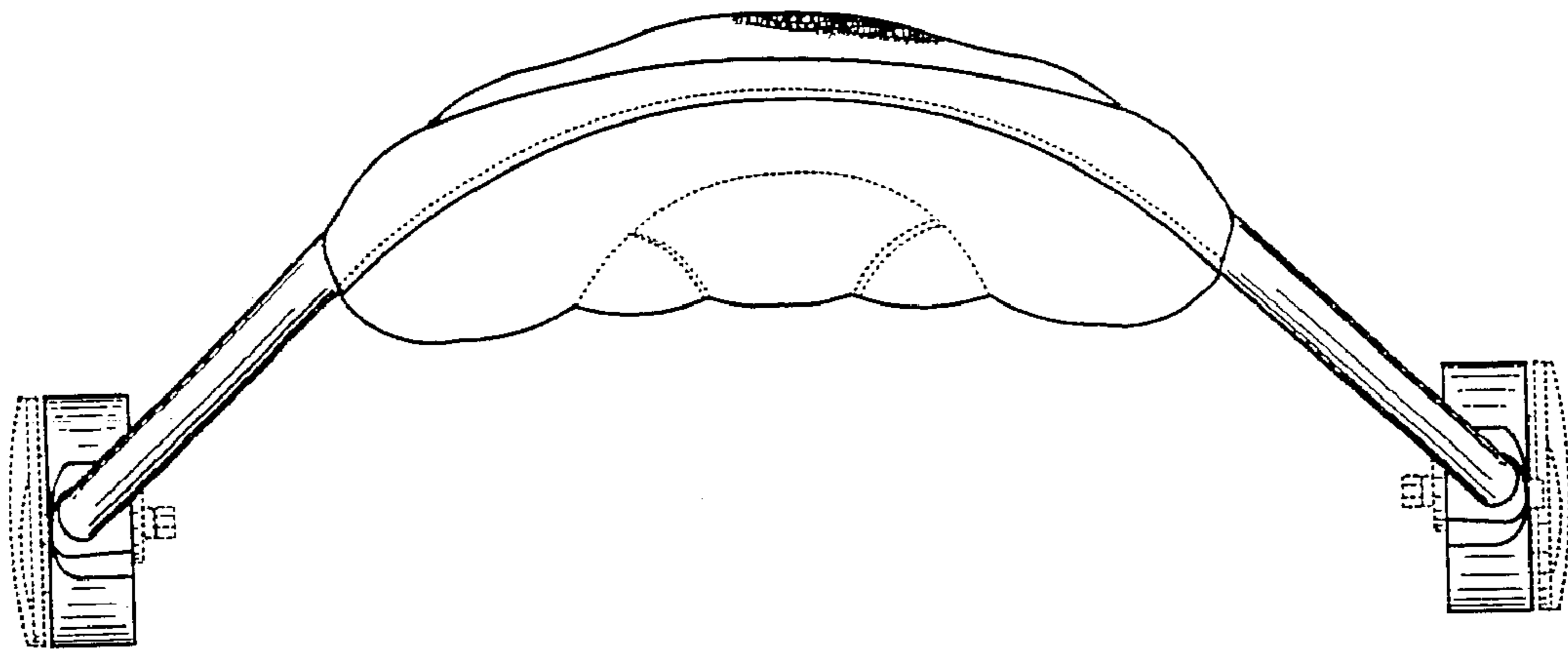
The dotted line representations in the figures form no part of the claimed design.

**1 Claim, 6 Drawing Sheets**

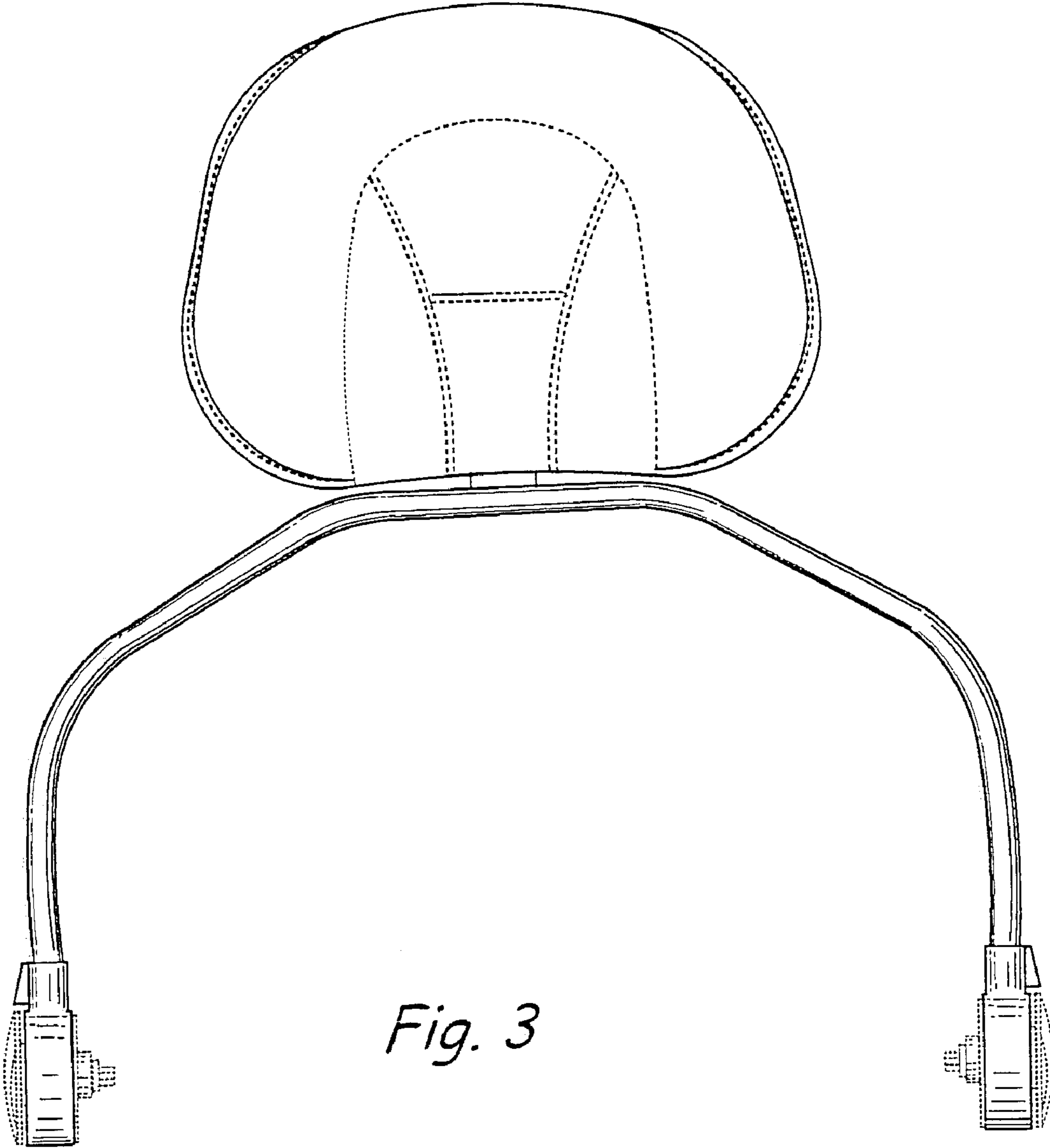




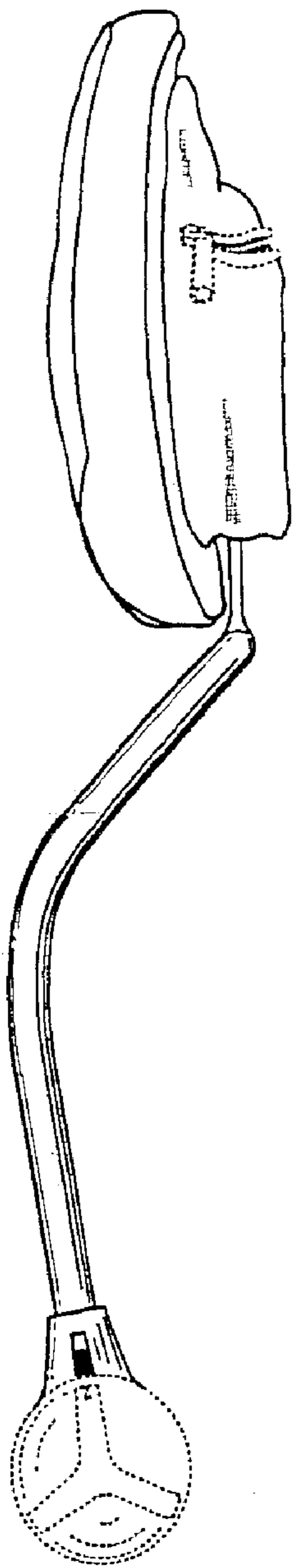
*Fig. 1*



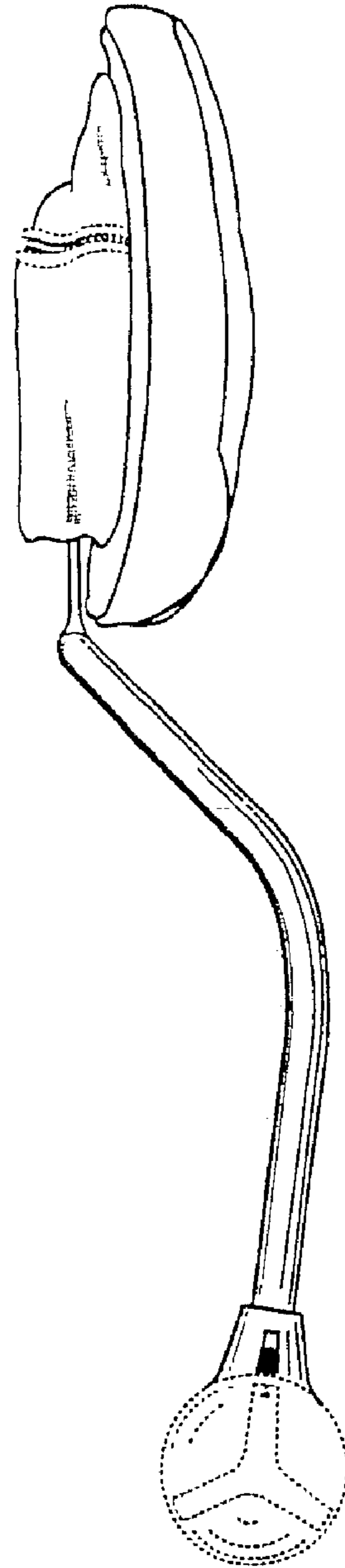
*Fig. 2*



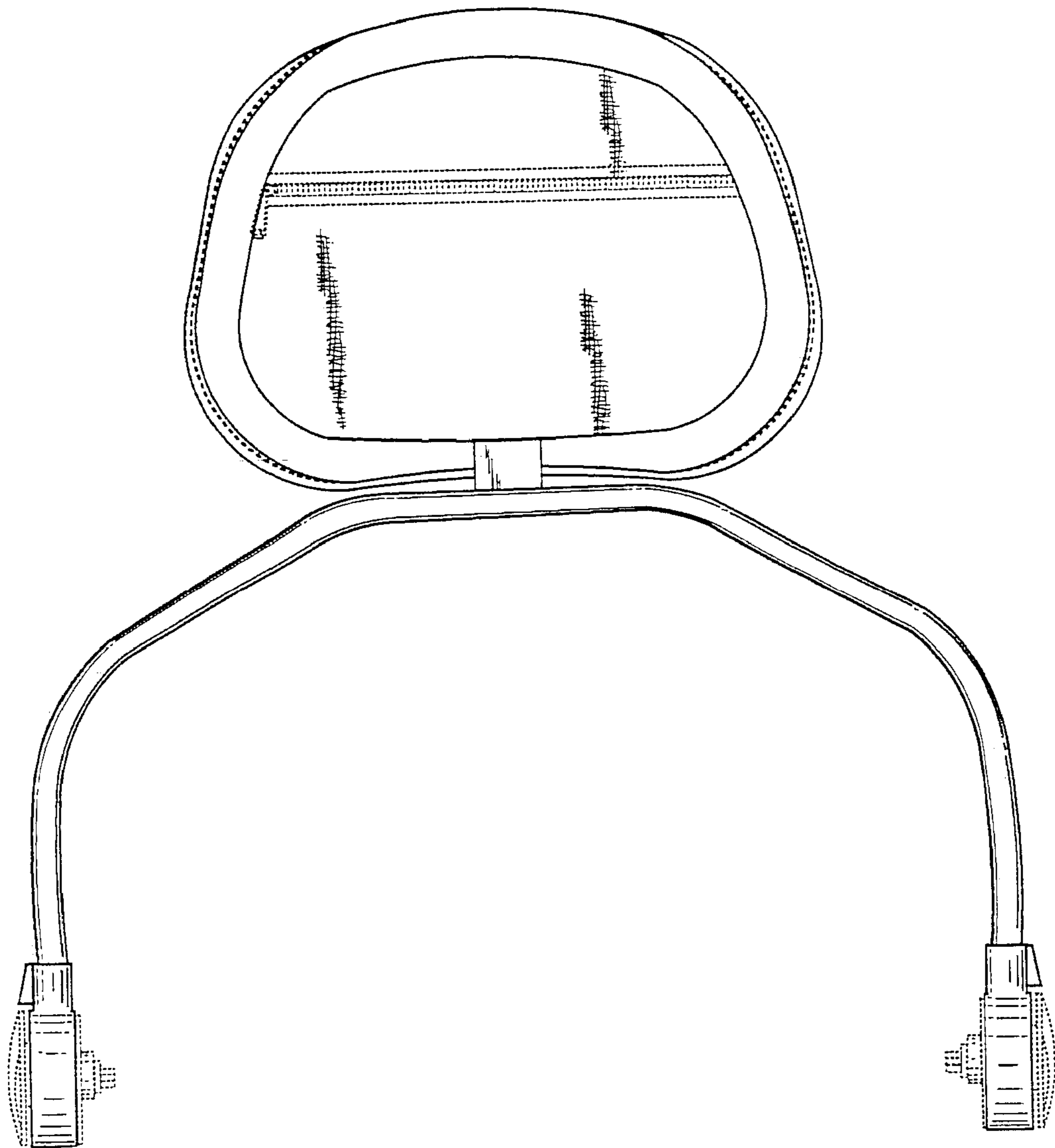
*Fig. 3*



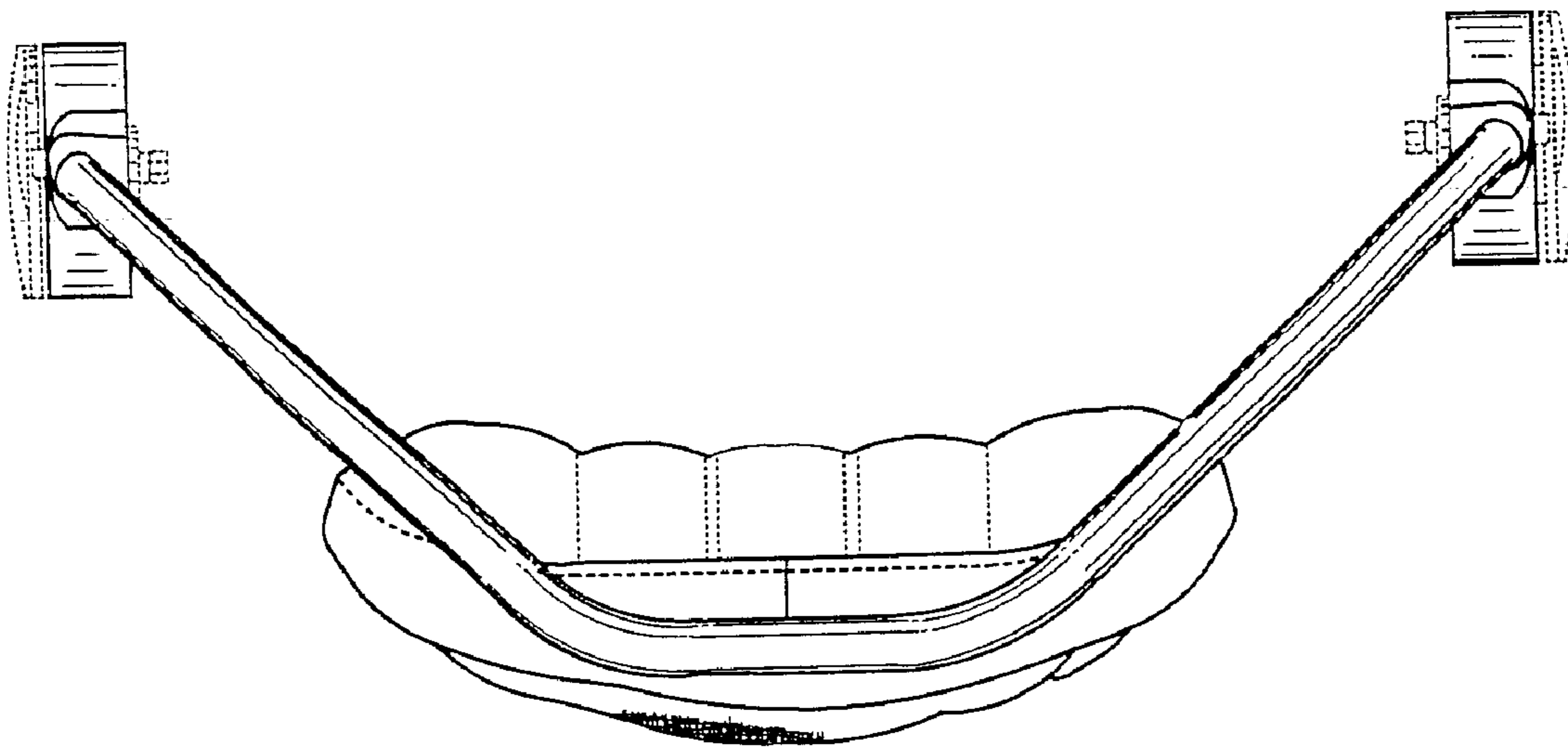
*Fig. 4*



*Fig. 5*



*Fig. 6*



*Fig. 7*