

US00D528304S

(12) **United States Design Patent**
Langer

(10) **Patent No.:** **US D528,304 S**

(45) **Date of Patent:** **** Sep. 19, 2006**

(54) **COSMETIC BRUSH WITH HOLDING TUBE**

(75) Inventor: **Wolfram Langer**, Glienicke (DE)

(73) Assignee: **Kryolan GmbH**, Berlin (DE)

(**) Term: **14 Years**

(21) Appl. No.: **29/214,703**

(22) Filed: **Oct. 6, 2004**

(51) **LOC (8) Cl.** **04-02**

(52) **U.S. Cl.** **D4/116; D4/121; D4/135**

(58) **Field of Classification Search** D4/116,
D4/121, 135, 138, 199; D3/201, 205, 901;
D28/7, 76, 77; 15/143.1, 145, 166, 176.1,
15/159.1, 160, 168, 175, 184, 191.1, 192,
15/193; 132/313, 317, 320; 206/15.2, 361,
206/581, 823

See application file for complete search history.

(56) **References Cited**

U.S. PATENT DOCUMENTS

2,096,975	A	10/1937	Revson	
2,177,504	A	10/1939	Thompson	
2,630,912	A	3/1953	Warner et al.	206/15.1
D204,449	S	* 4/1966	Zavodsky	D4/121
D229,115	S	* 11/1973	Costa	D28/7 X
D249,600	S	* 9/1978	Bowman	D4/135
4,471,507	A	* 9/1984	Schwartz	15/145 X
5,992,617	A	11/1999	Couch et al.	206/15.3
6,779,532	B1	* 8/2004	Dorf	
6,895,628	B1	* 5/2005	Anderson	132/313 X
2003/0102010	A1	* 6/2003	Mays	
2005/0025823	A1	11/2005	Roeder	206/581

OTHER PUBLICATIONS

Cosmetic Brushes, The Chisel Collection—Face Brushes. Catalog [online]. Brushes by Karen, Inc., Mar. 2000 [retrieved on Feb. 17, 2006]. Retrieved from the Internet:

<URL: <http://web.archive/web/20000411195315/brushes-byKaren.com/06-07-chisel.html>>.*

Hong Kong Enterprise, vol. 8, Aug. 2003, Law Tai Hang Cosmetic Brush Factory, Cosmetic Brush Set with Case, Item No. CT100, p. 191.*

Hong Kong Enterprise, vol. 8, Aug. 2003, A-Winning Nice Products Ltd., Cosmetic Brushes at top, right of p. 150.*

* cited by examiner

Primary Examiner—Alan P. Douglas

Assistant Examiner—Lavone D. Tabor

(74) *Attorney, Agent, or Firm*—Haverstock & Owens LLP

(57) **CLAIM**

The ornamental design for a cosmetic brush with holding tube, as shown and described.

DESCRIPTION

FIG. 1 is a top perspective view of a cosmetic brush with holding tube showing my new design;

FIG. 2 is a partially exploded, top perspective view thereof;

FIG. 3 is a front elevation view of the brush shown separately for clarity of illustration;

FIG. 4 is an exploded view of FIG. 3;

FIG. 5 is a left side elevation view of FIG. 3, the right side being a mirror image;

FIG. 6 is a perspective view of FIG. 3;

FIG. 7 is an exploded perspective view of FIG. 3;

FIG. 8 is a front elevation view of the holding tube, shown separately for clarity of illustration;

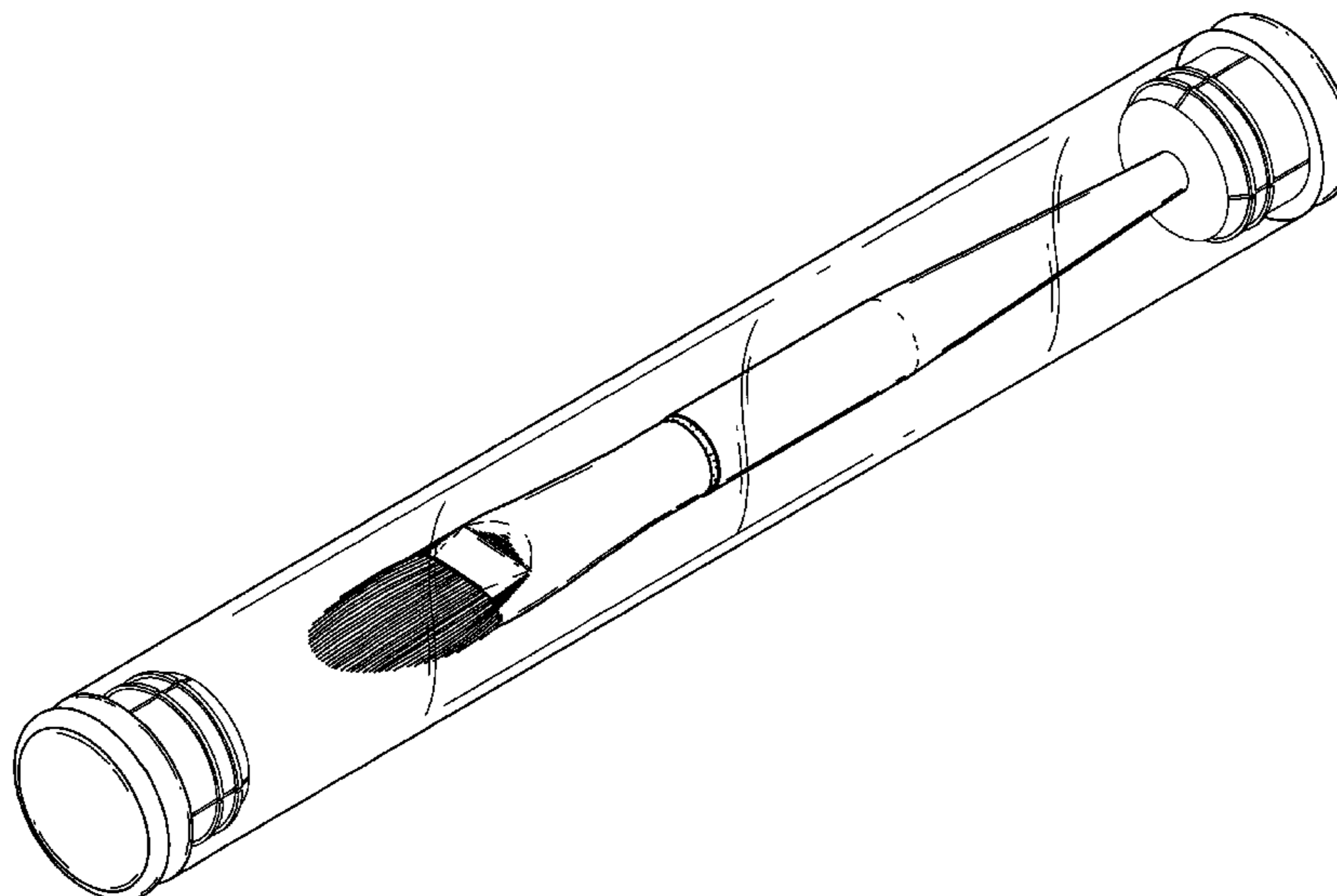
FIG. 9 is a top perspective view of FIG. 8 with an end cap omitted;

FIG. 10 is a top plan view of the cap portion, shown separately for clarity of illustration;

FIG. 11 is a side elevation view of FIG. 10; and,

FIG. 12 is a bottom plan view of FIG. 10.

1 Claim, 7 Drawing Sheets



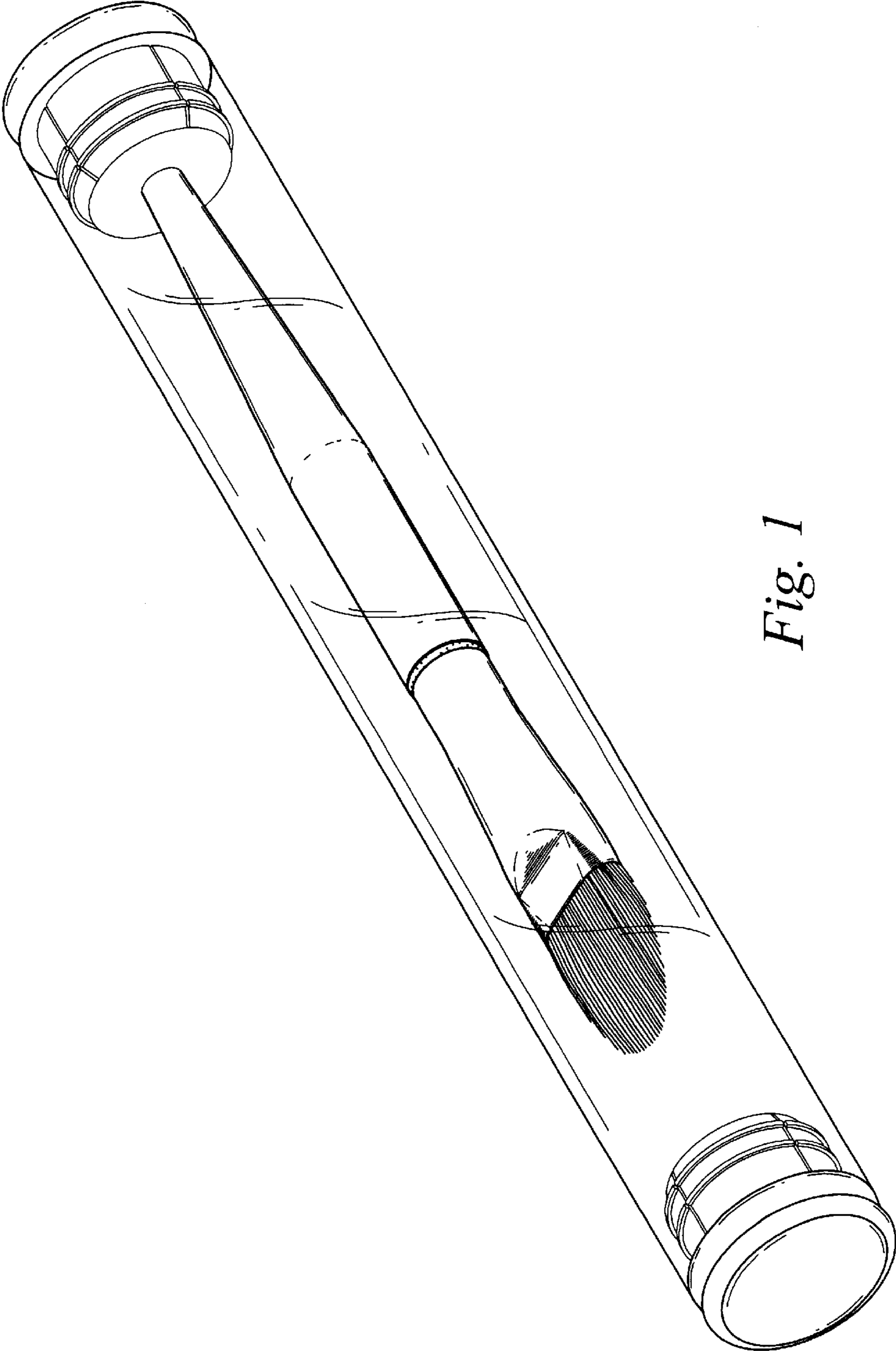


Fig. 1

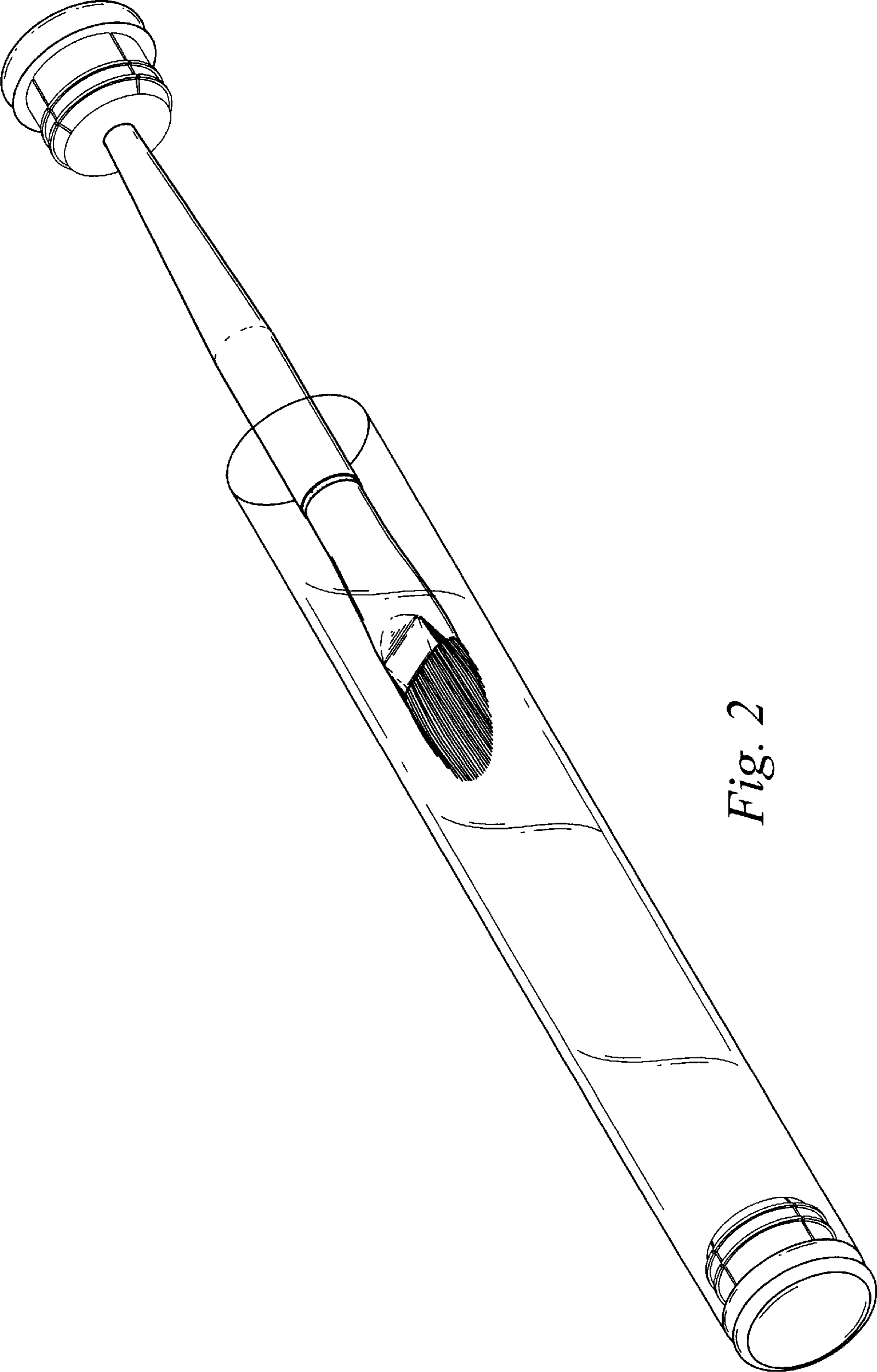


Fig. 2

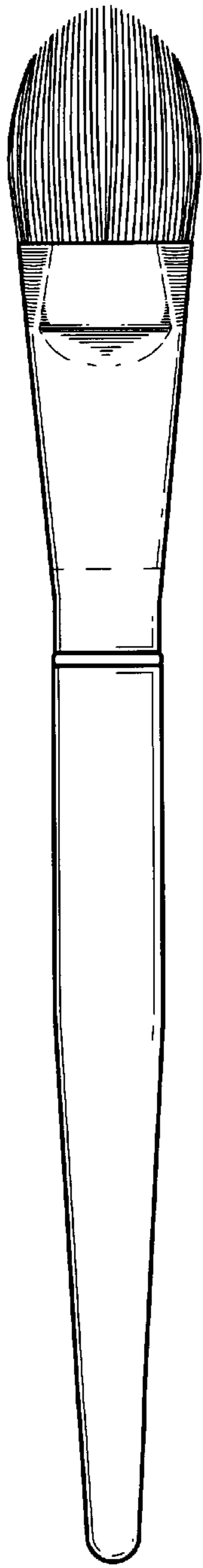


Fig. 3

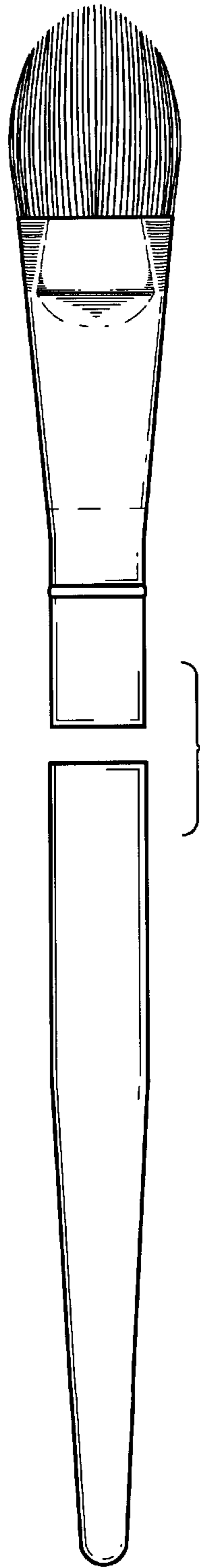


Fig. 4

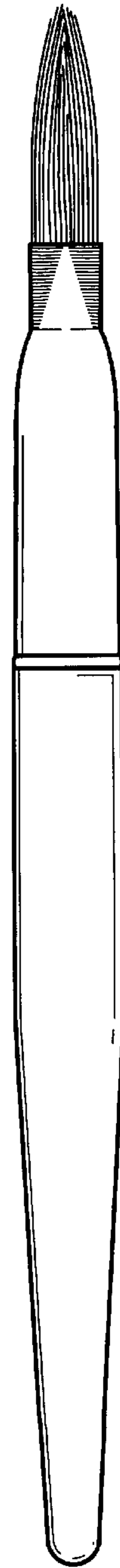


Fig. 5

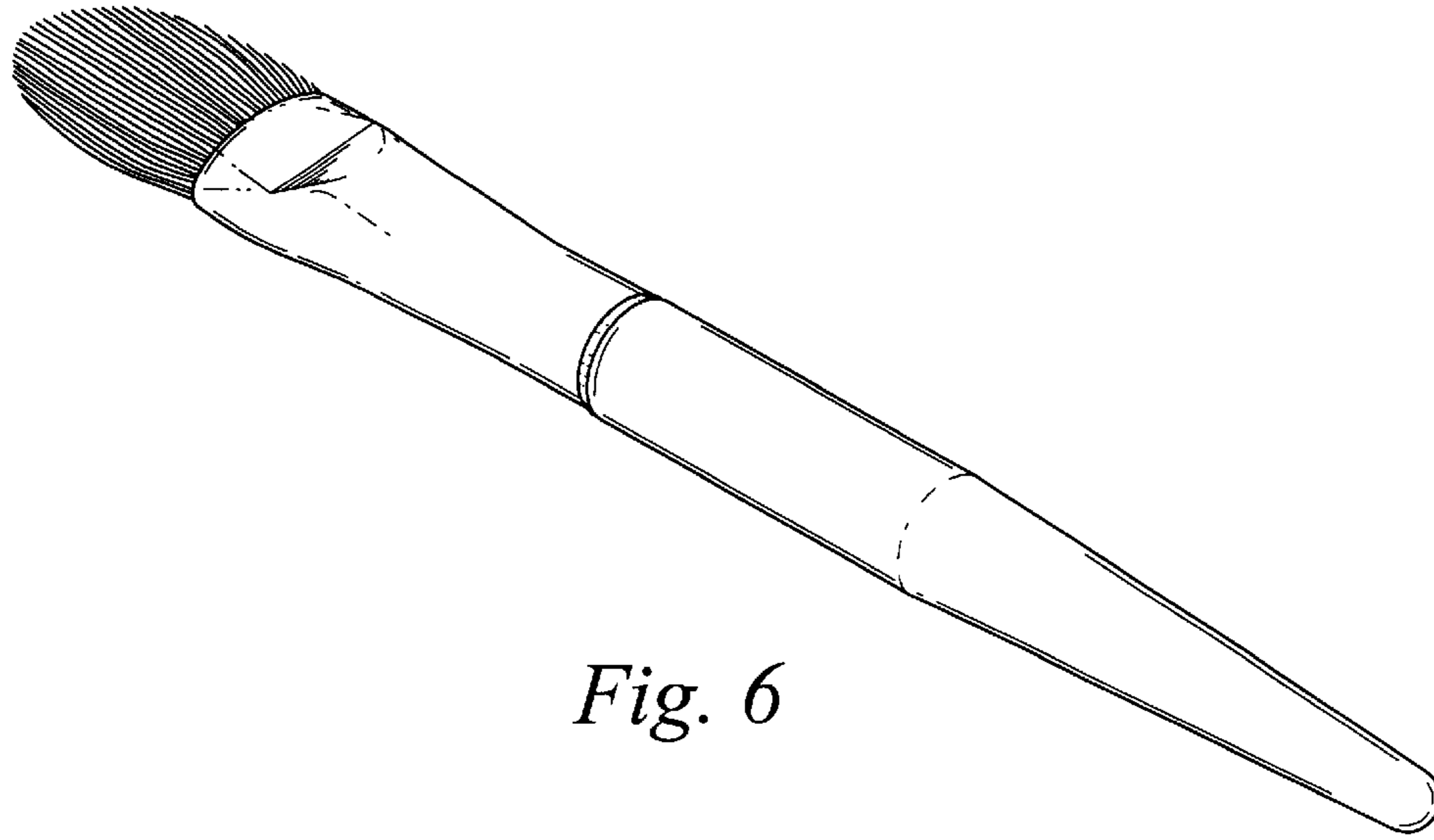


Fig. 6

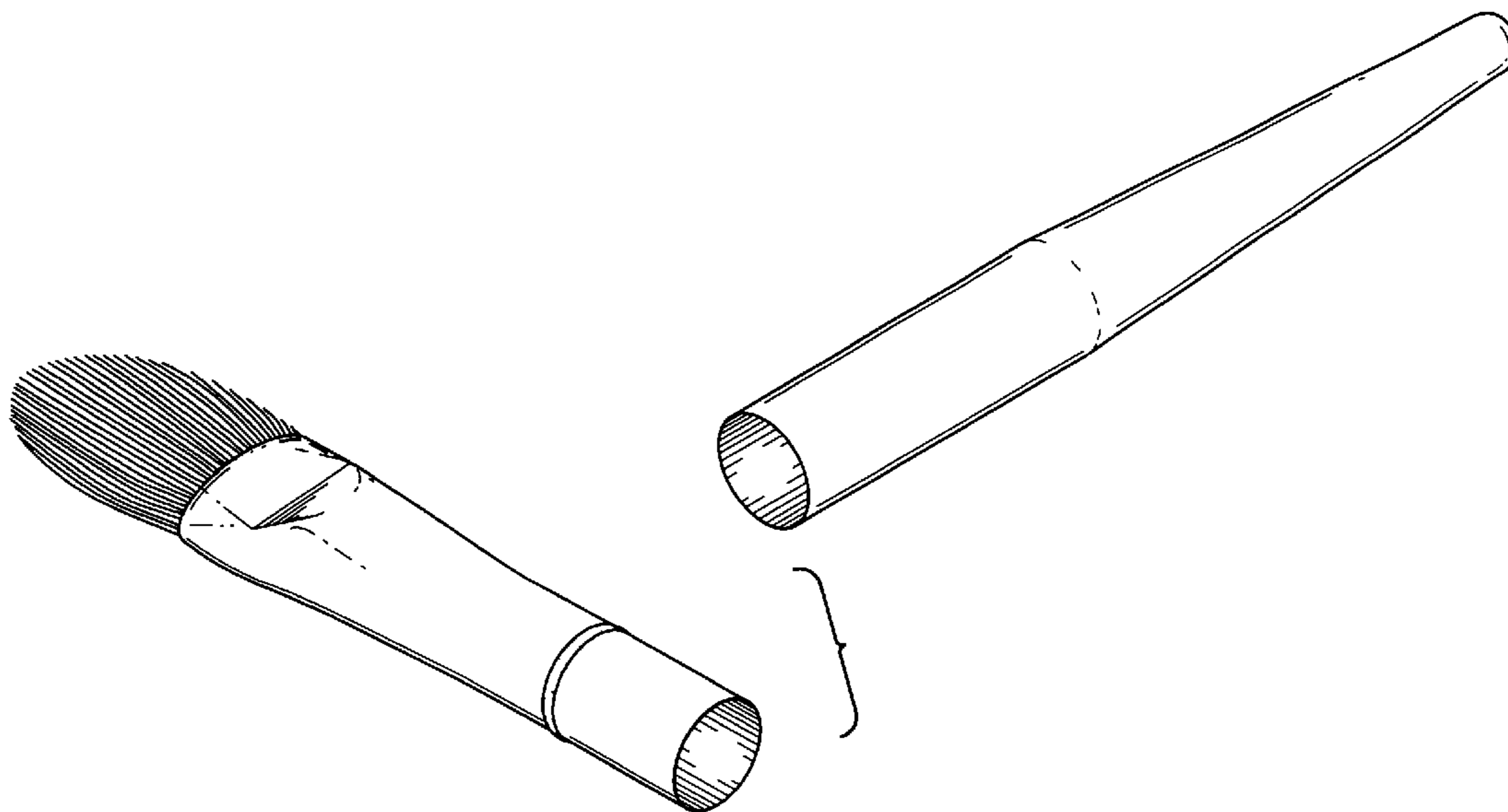


Fig. 7

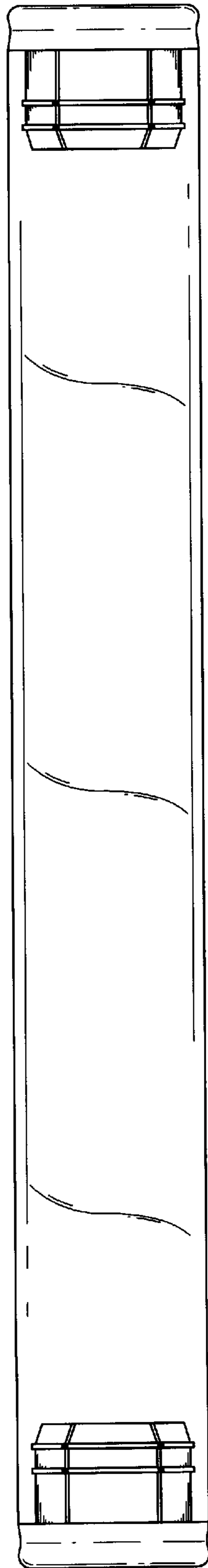


Fig. 8

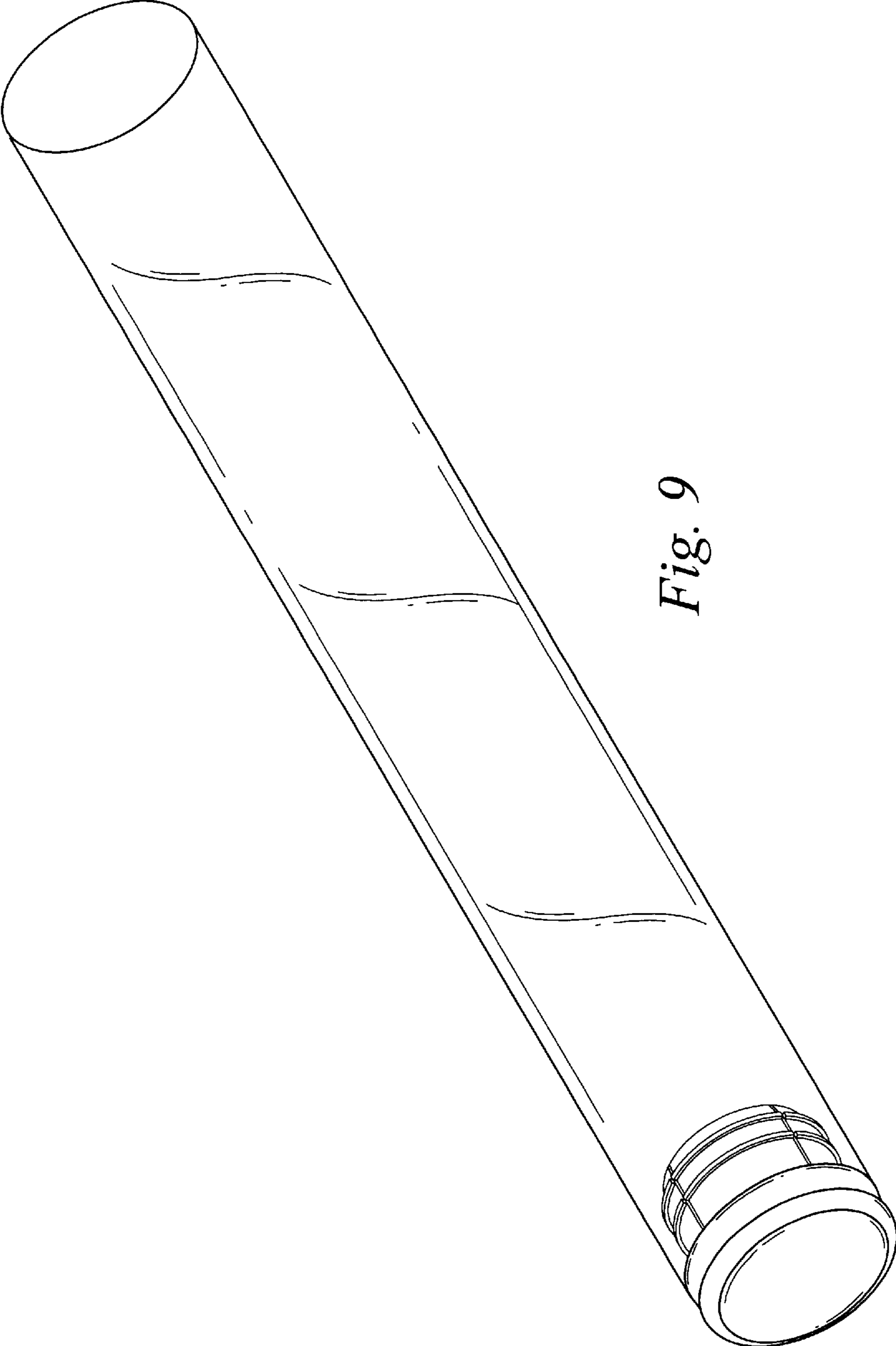


Fig. 9

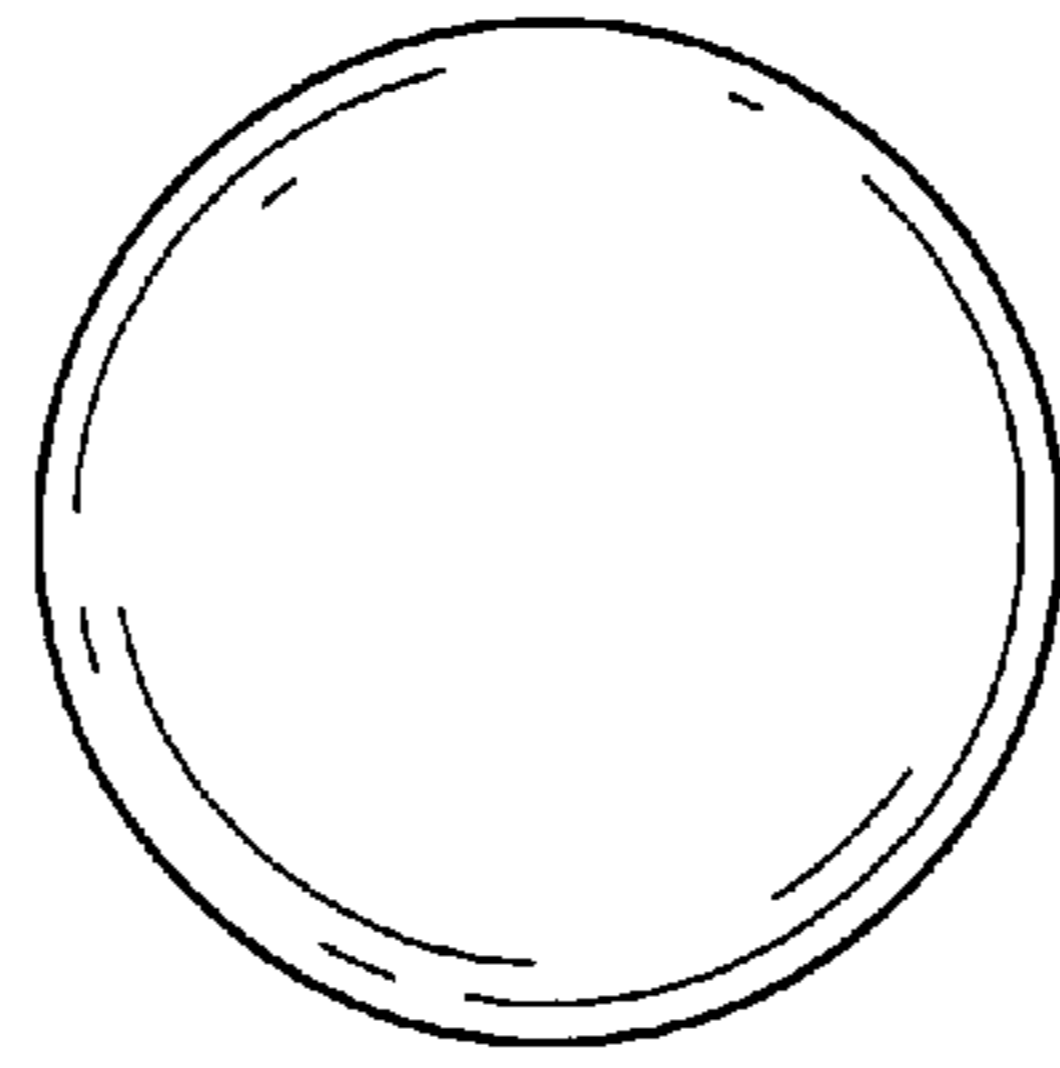


Fig. 10

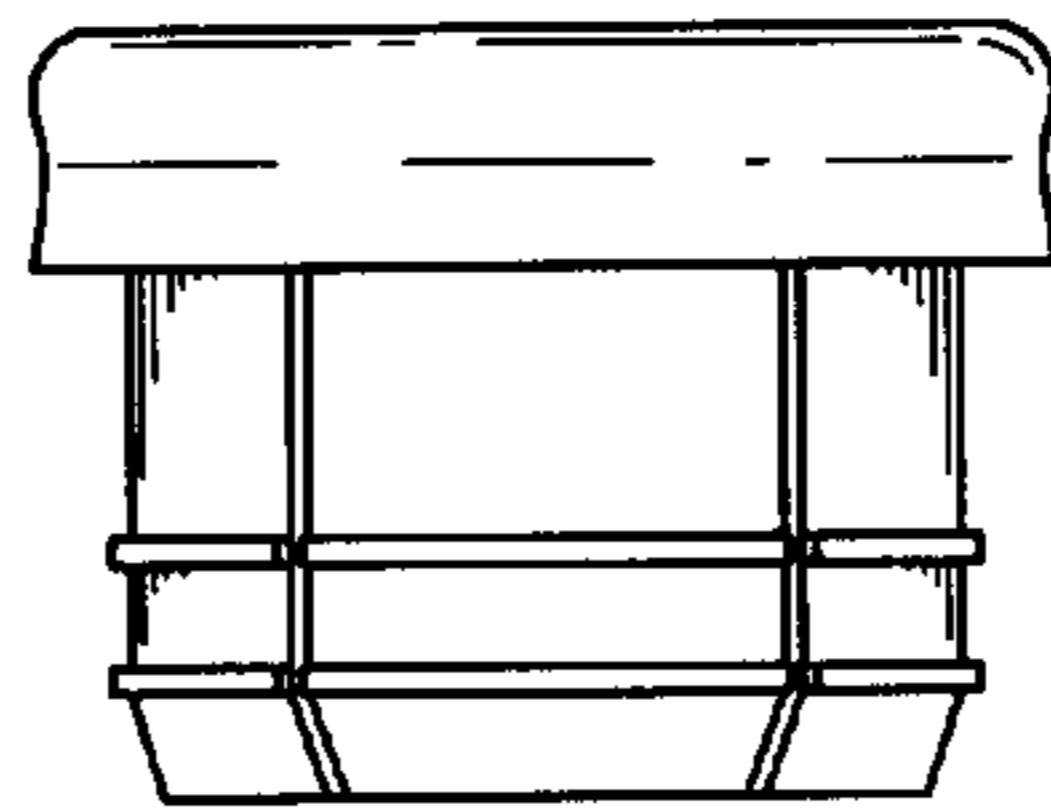


Fig. 11

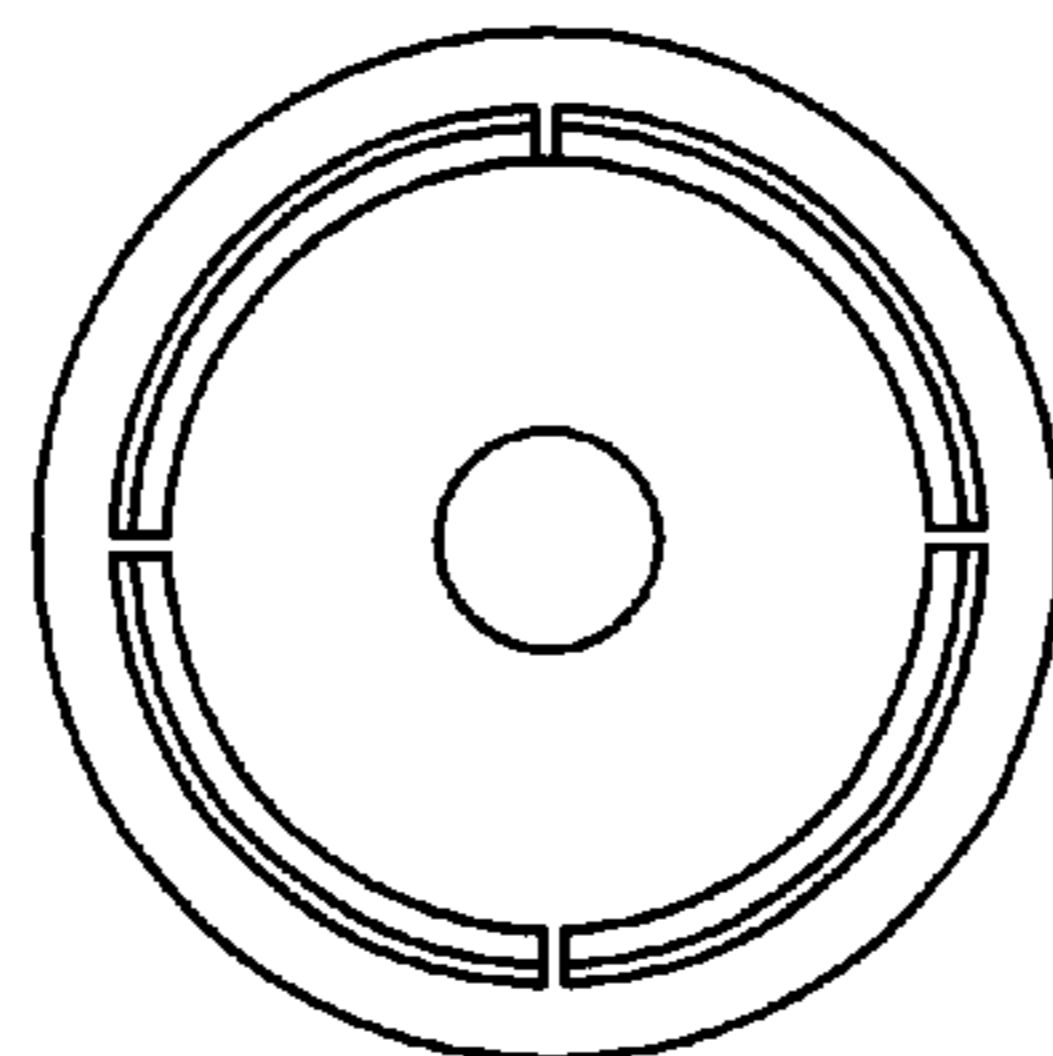


Fig. 12