



US00D528302S

(12) **United States Design Patent**
Moon

(10) **Patent No.:** **US D528,302 S**

(45) **Date of Patent:** **** Sep. 19, 2006**

(54) **LUGGAGE HANDLE**

(76) Inventor: **Jerry Moon**, P.O. Box 24-108, Taipei (TW)

(**) Term: **14 Years**

(21) Appl. No.: **29/235,062**

(22) Filed: **Jul. 28, 2005**

(51) **LOC (8) Cl.** **03-01**

(52) **U.S. Cl.** **D3/318**

(58) **Field of Classification Search** D3/218, D3/328, 279, 282, 320, 215, 254, 255, 276, D3/281, 291; D8/14, 300, 302, 206, 315, D8/316, 317, 319, 320; D34/24, 26; 24/599.5; 16/110.1, 113.1, 114.1, 405, 406, 408, 421, 16/422, 429, 430, 431, 445; 190/18 A, 39, 190/102, 103, 111, 115; 280/37, 655, 655.1, 280/DIG. 6

See application file for complete search history.

(56) **References Cited**

U.S. PATENT DOCUMENTS

5,970,579 A * 10/1999 Lu 16/405

D424,400 S * 5/2000 Lin D8/302
D432,893 S * 10/2000 Lu D8/316
2003/0042094 A1 * 3/2003 Lin et al. 16/113.1
2004/0238304 A1 * 12/2004 Fisher 16/113.1
2005/0072644 A1 * 4/2005 Gormick et al. 190/102

* cited by examiner

Primary Examiner—Louis S. Zarfes

Assistant Examiner—Monica A. Weingart

(57) **CLAIM**

The ornamental design for a luggage handle, as shown and described.

DESCRIPTION

FIG. 1 is a perspective view of a luggage handle showing my new design;

FIG. 2 is a front view thereof;

FIG. 3 is a rear view thereof;

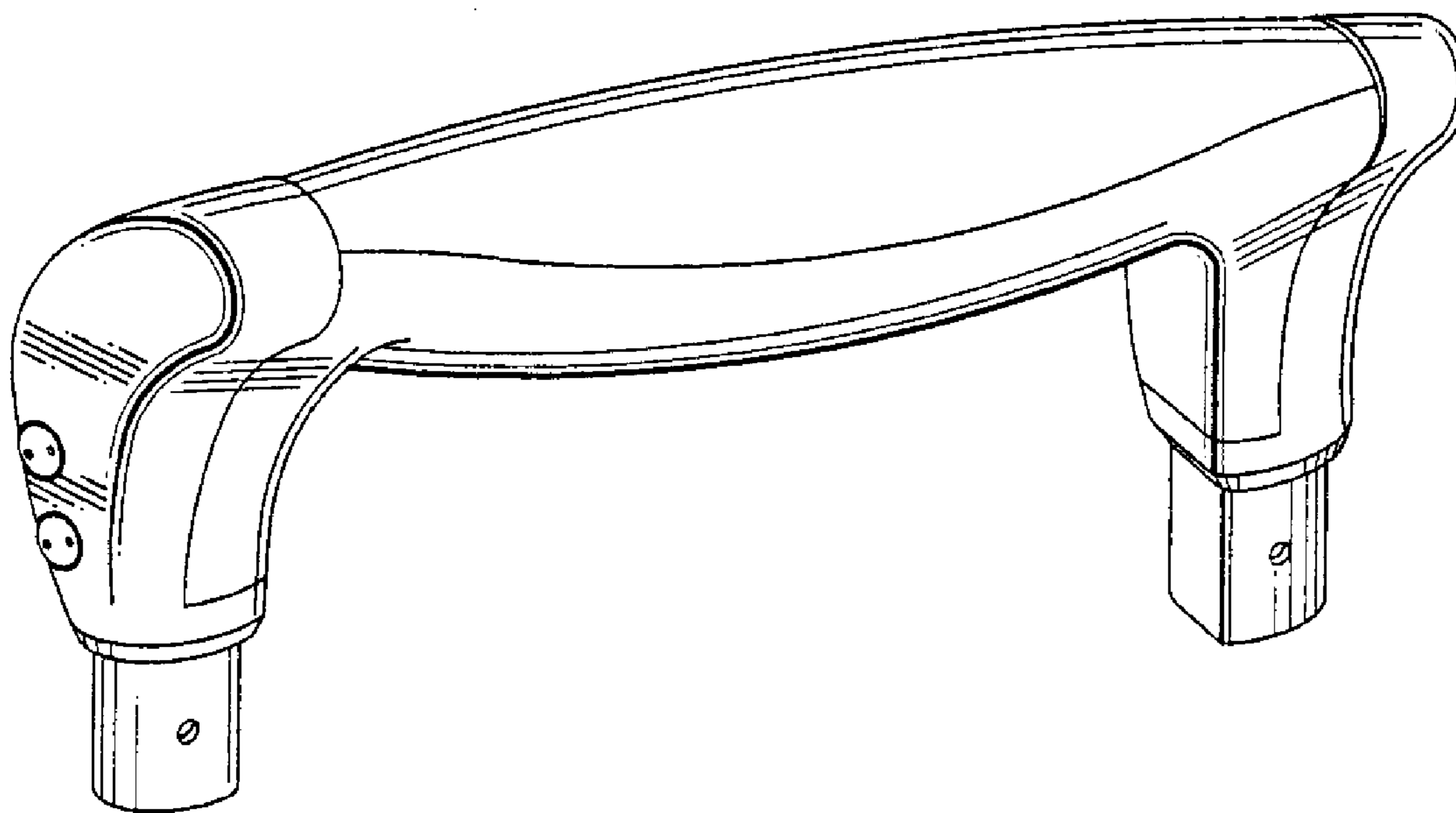
FIG. 4 is a left side view thereof;

FIG. 5 is a right side view thereof;

FIG. 6 is a top plan view thereof; and,

FIG. 7 is a bottom plan view thereof.

1 Claim, 3 Drawing Sheets



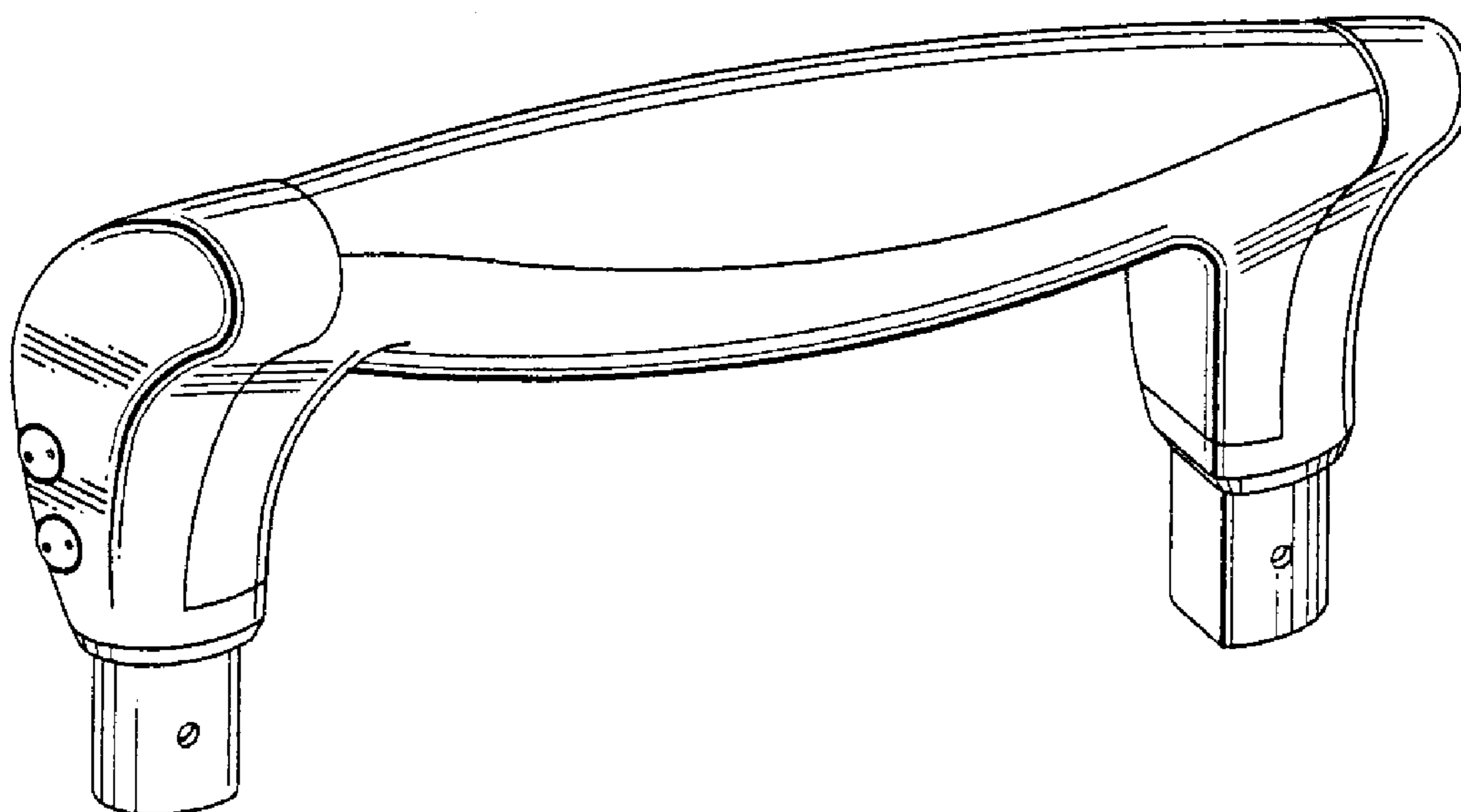


FIG. 1

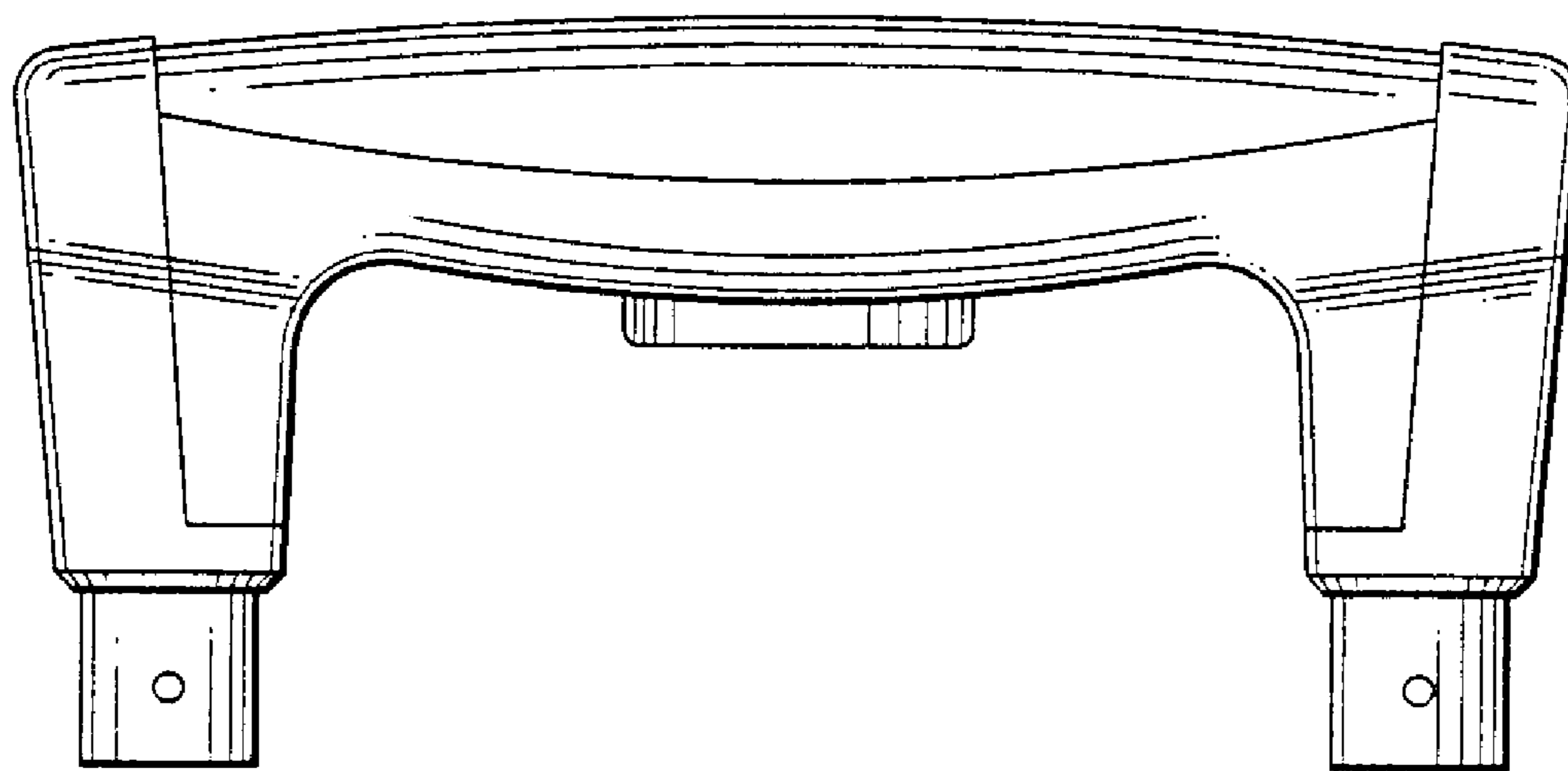


FIG. 2

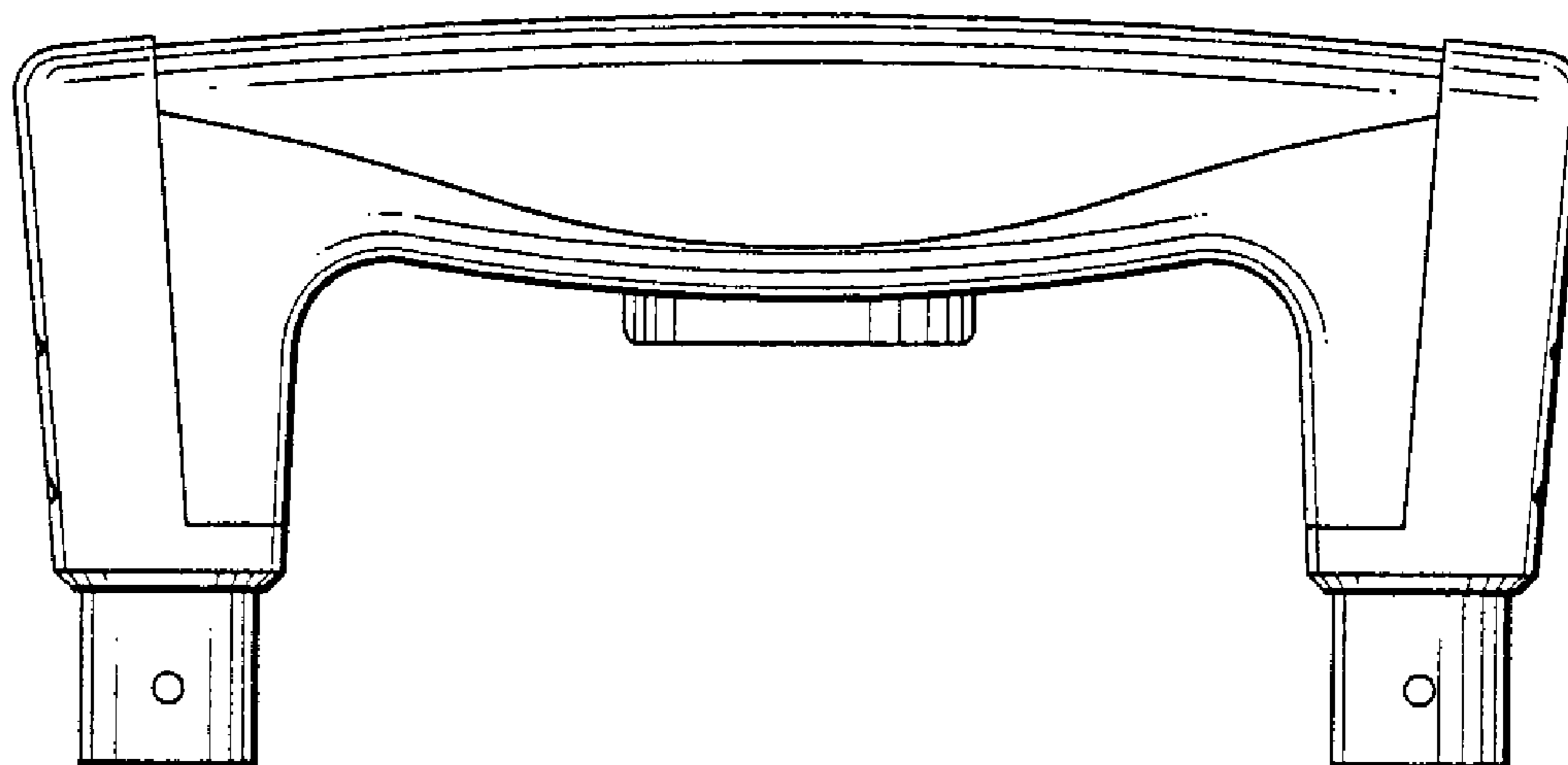


FIG. 3

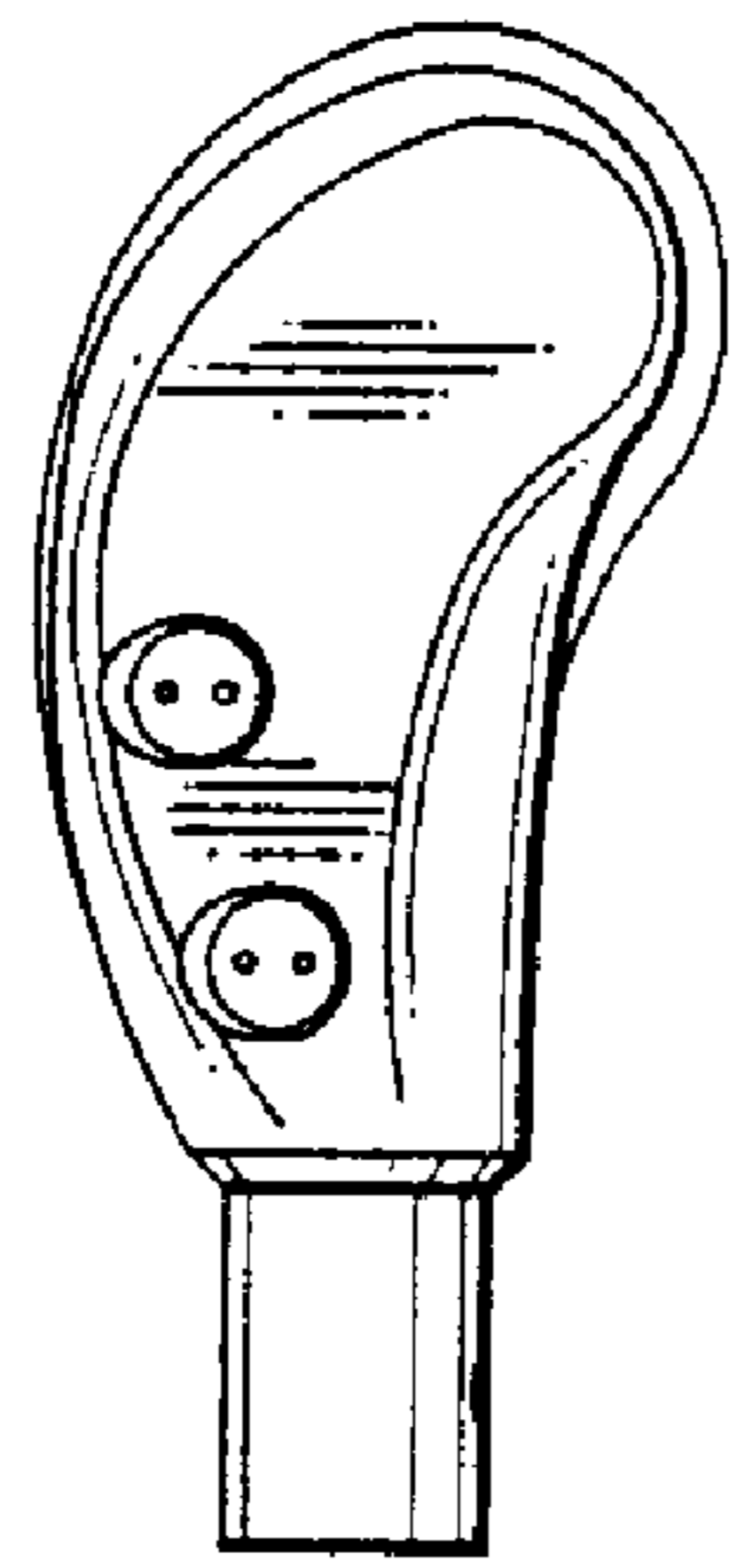


FIG. 4

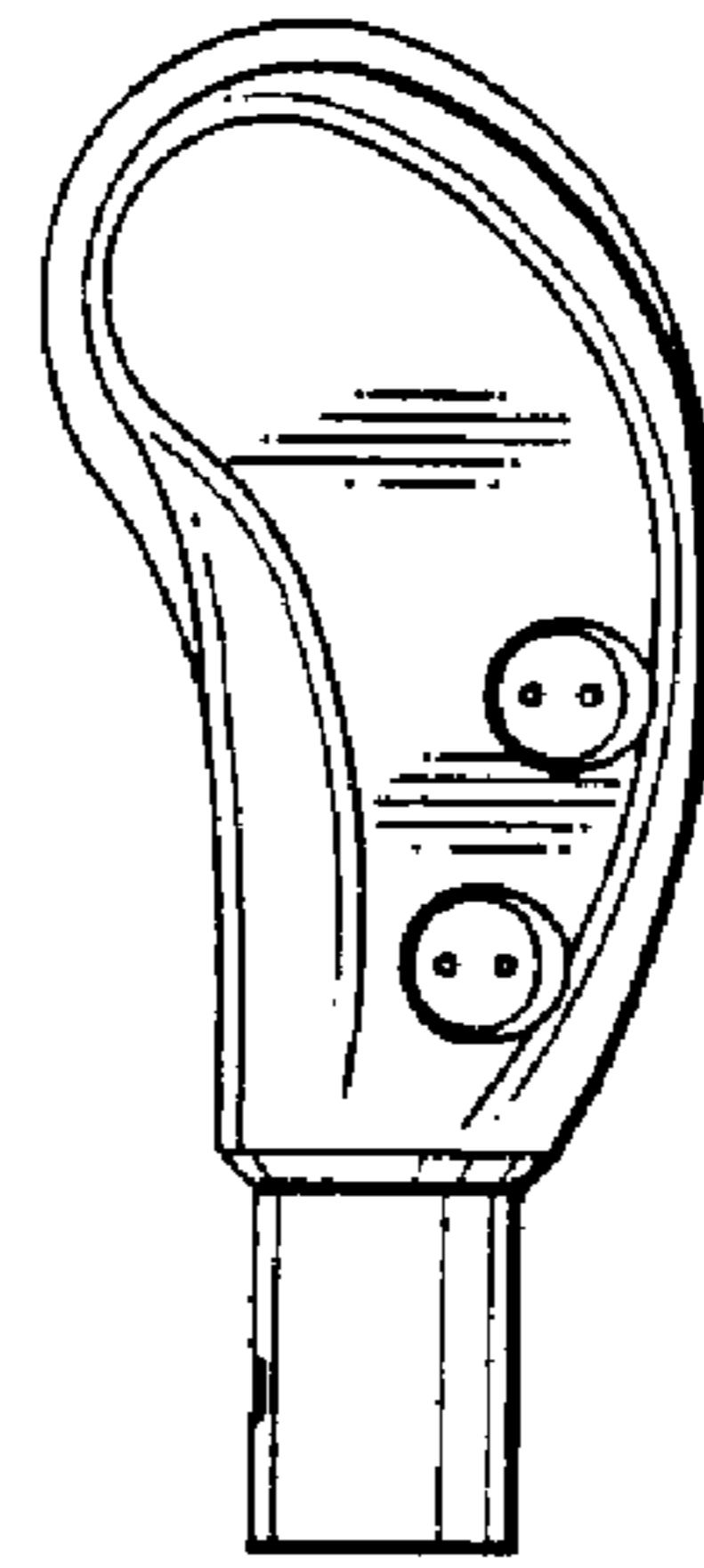


FIG. 5

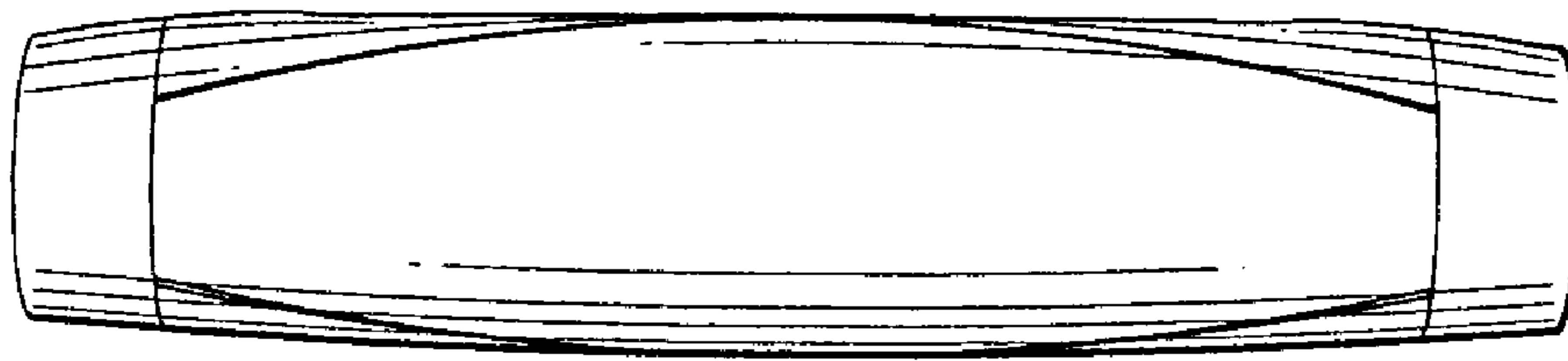


FIG. 6

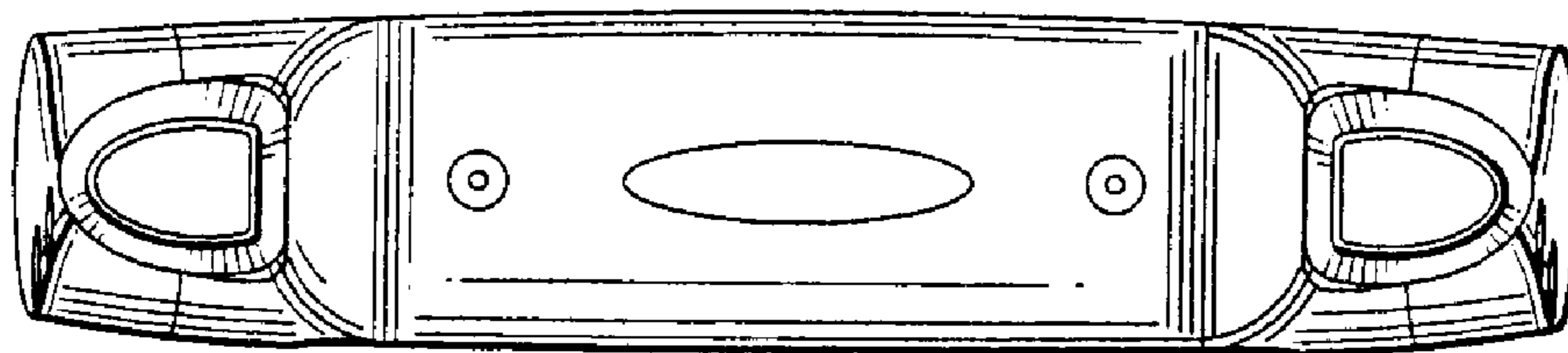


FIG. 7